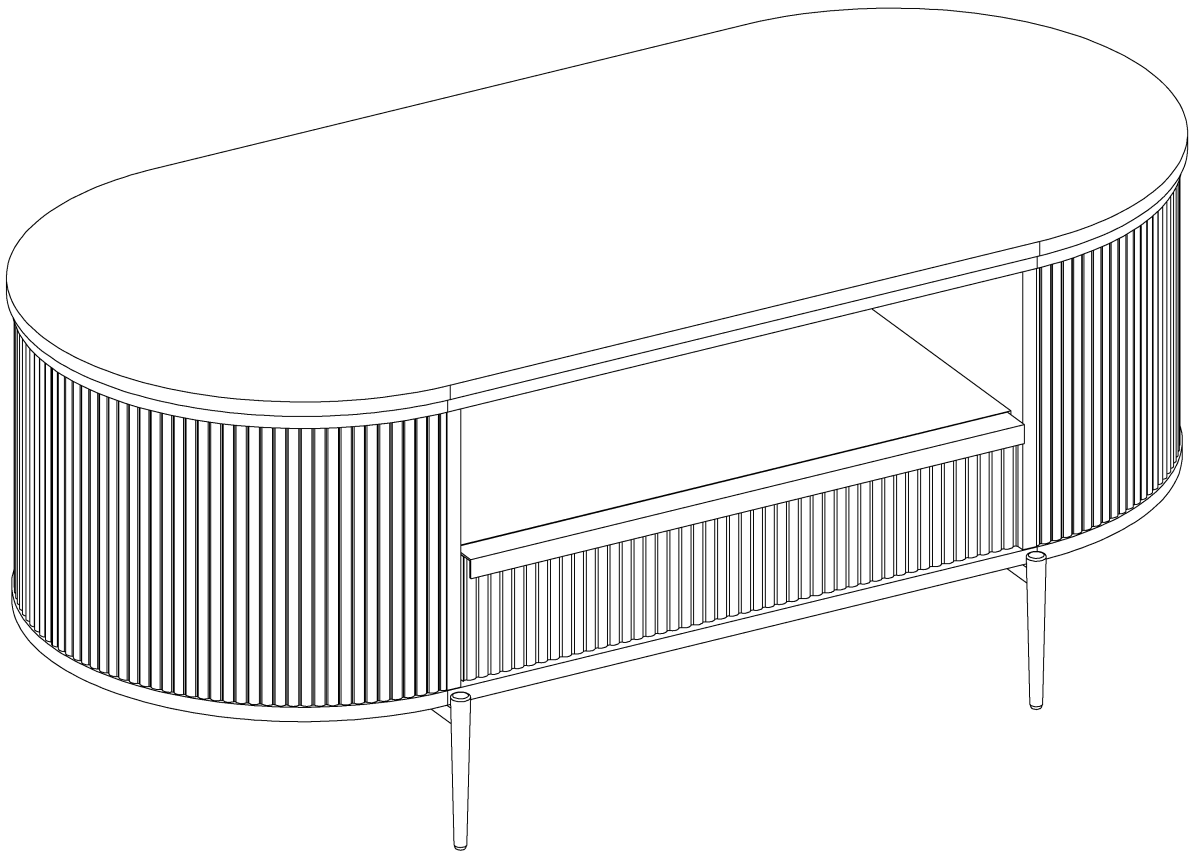
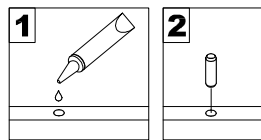


Assembly Instructions

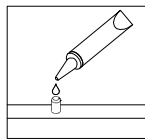


General Assembly Guidelines

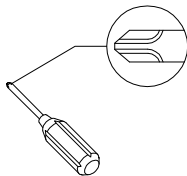
- I. Ensure that all parts and hardware are available before beginning assembly.
- II. Follow each step carefully to ensure the proper assembly of this product.
- III. Two people are recommended for ease in the assembly of this product.
- IV. The three main types of hardware used to assemble this product are : wood dowels , screws and bolts.
- V. The provided glue is to secure wood dowels in place . When first inserting dowels , locate the appropriate hole for the dowel , place a small amount of glue in the hole and insert the dowel . Wipe away excess glue immediately.



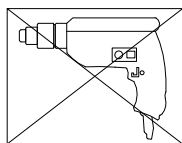
In future assembly steps when dowels are necessary to attach assembly parts together , place a small amount of glue on the end of the dowel before attaching parts together . Wipe away excess glue immediately.



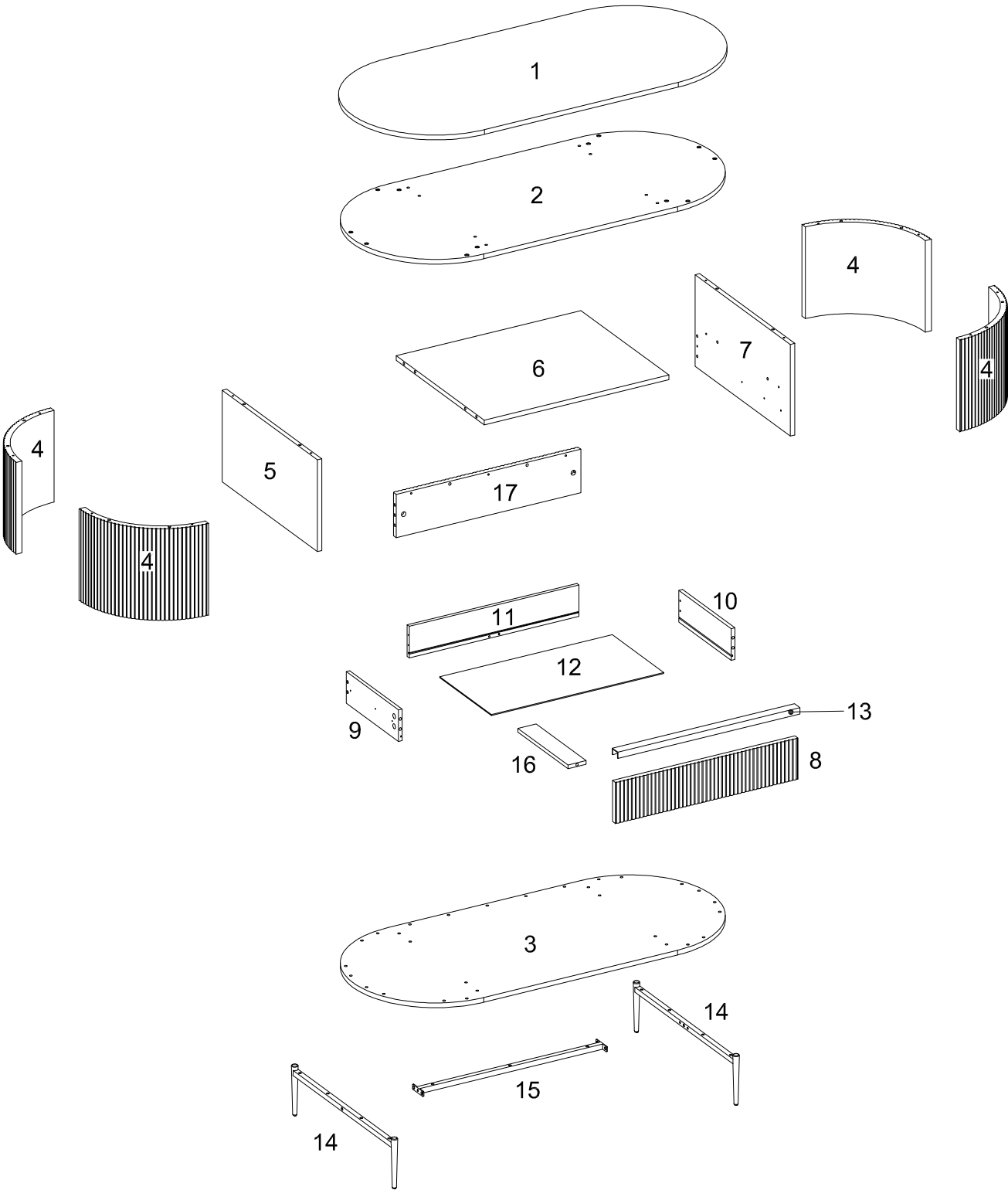
- VI. A Phillips head screwdriver is required for the assembly of this product .




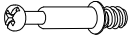


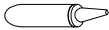






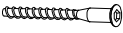




- VII. Power tools should not be used to assemble this product .

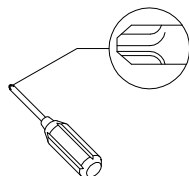


Parts List



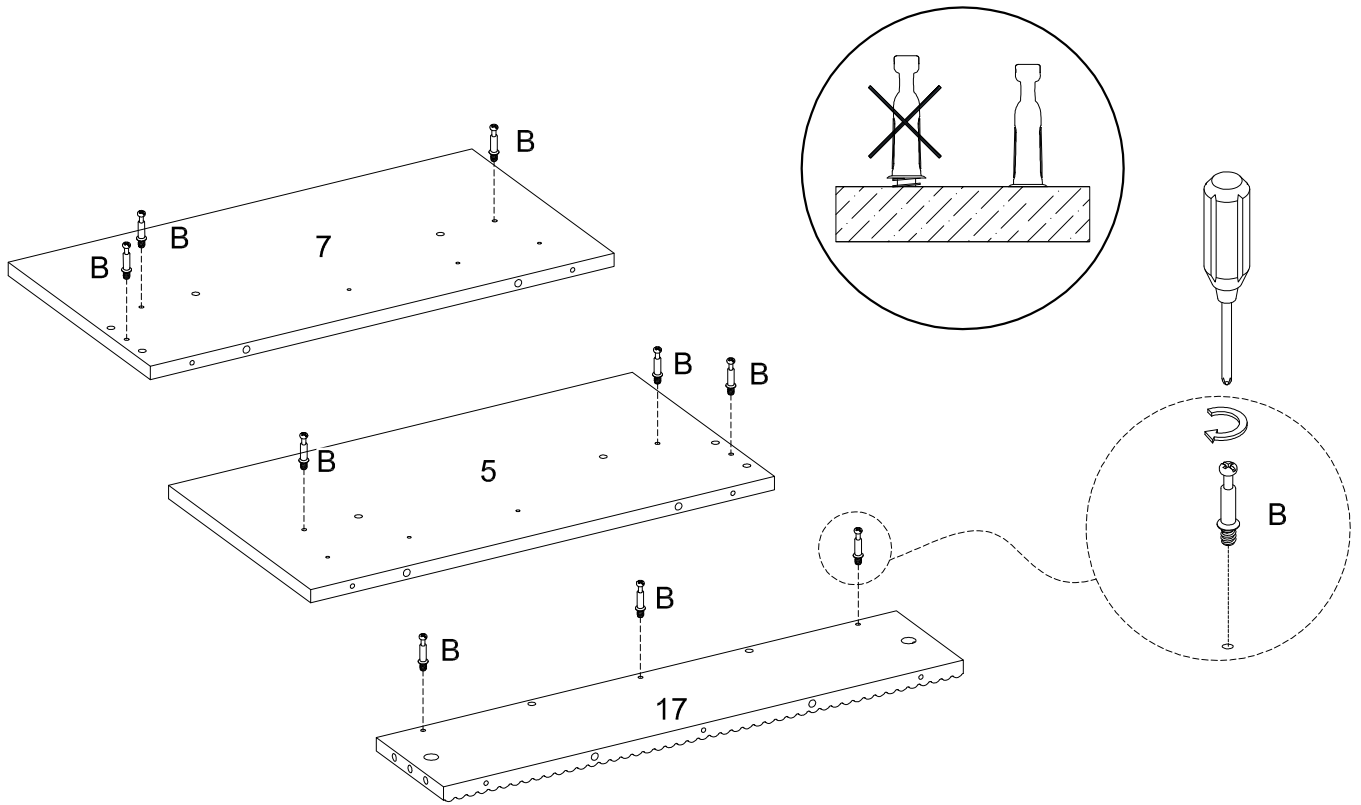
Hardware List

A		Ø8x30mm	Long dowel	36 pcs
B		Ø6x35mm	Cam bolt	14 pcs
C		Ø15x11mm	Cam lock	9 pcs
D		Ø30mm	Cam cover	14 pcs
E			Glue tube	1 pc
F		12"	Drawer slider	1 sets
G		Ø6x22mm	Bolt	4 pcs
H		Ø8x20mm	Short dowel	4 pcs
J		Ø3.5x14mm	Screw	4 pcs
K		Ø15x9.5mm	Small Cam lock	5 pcs
L		Ø4x38mm	Screw	6 pcs
M		Ø6x50mm	Screw	27 pcs
N		Ø3.5x12mm	Screw	12 pcs
P		M 4	Allen wrench	1 pcs
Q		Ø6x13mm	Bolt	4 pcs
R		Ø6x25mm	Bolt	13 pcs

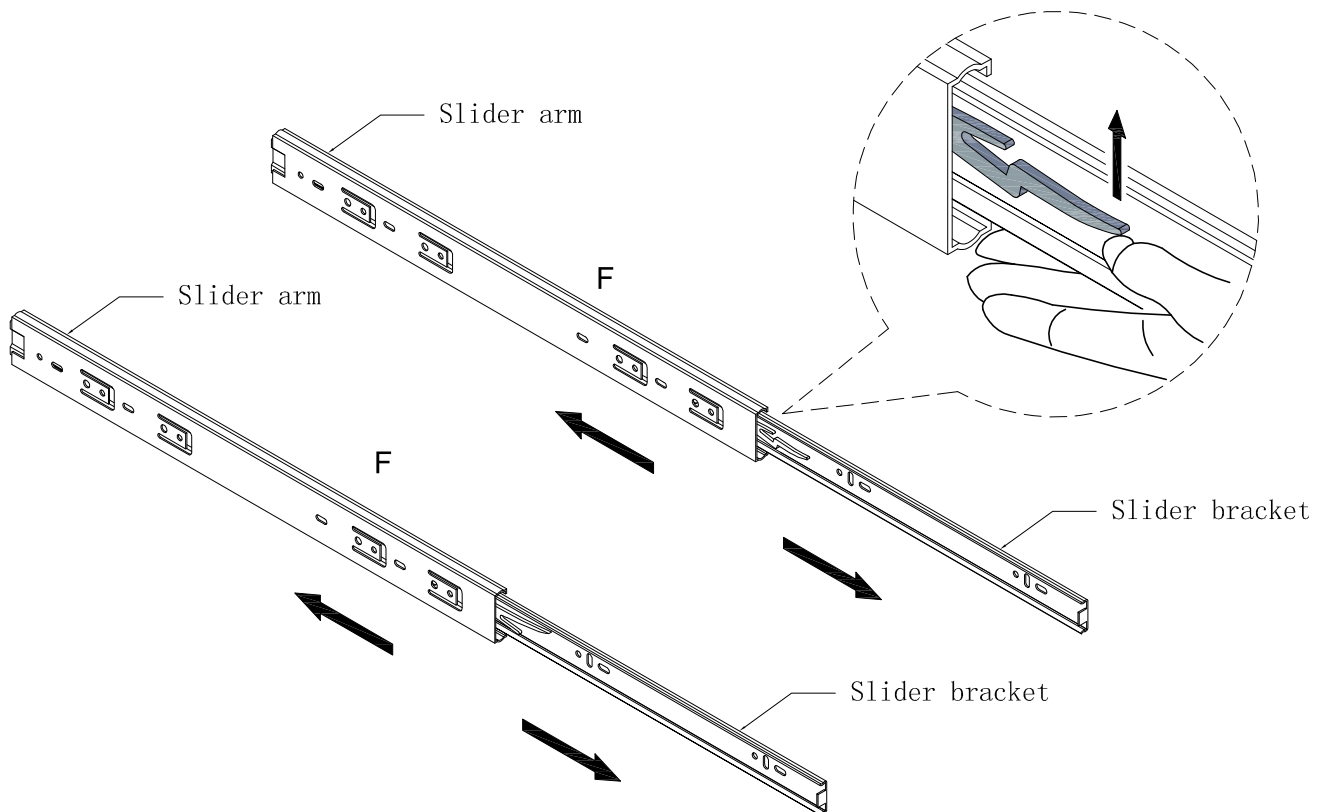


Philips head screwdriver required for assembly
(not included)

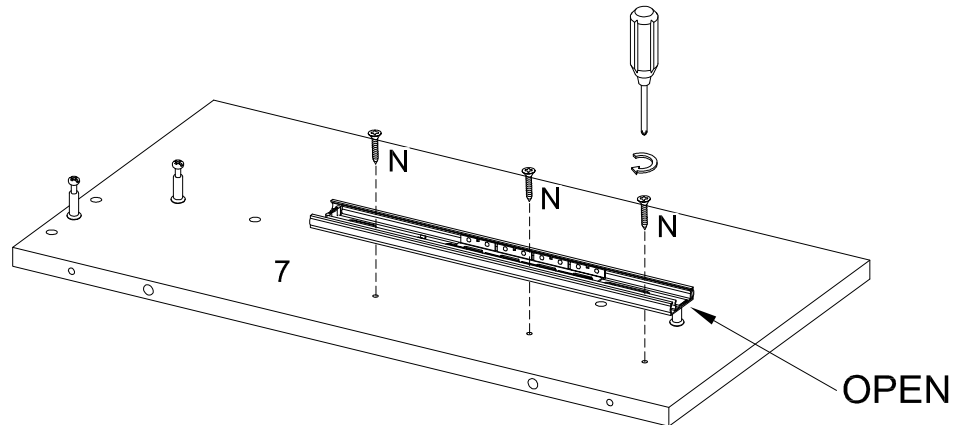
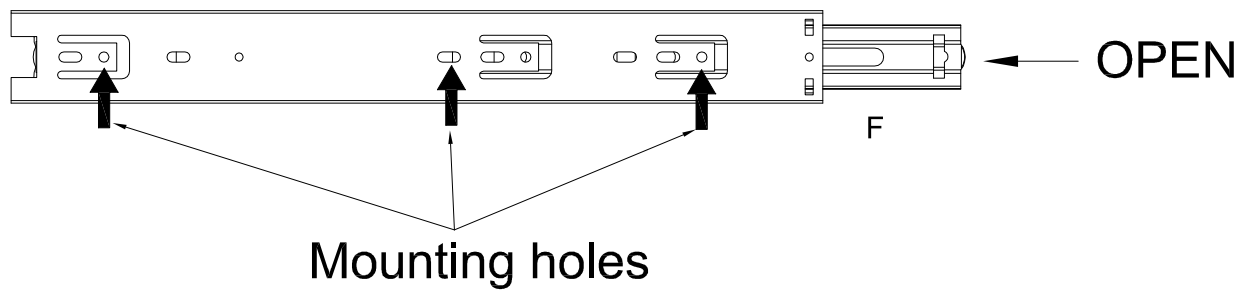
Step 1



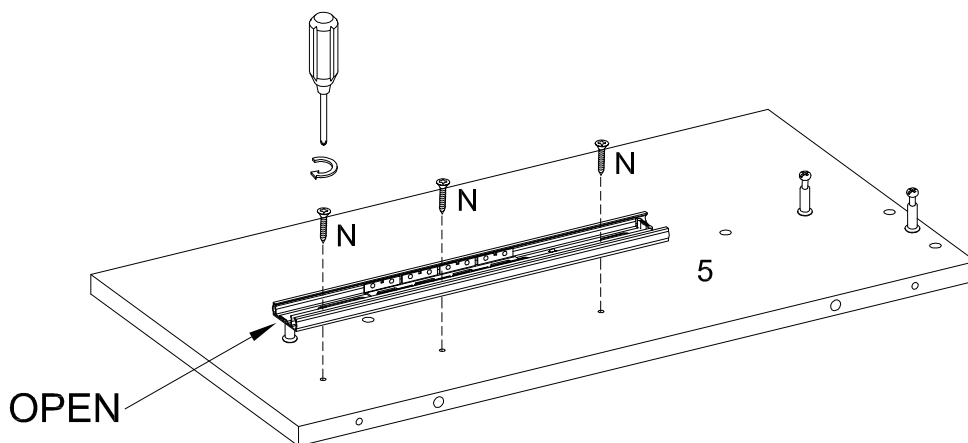
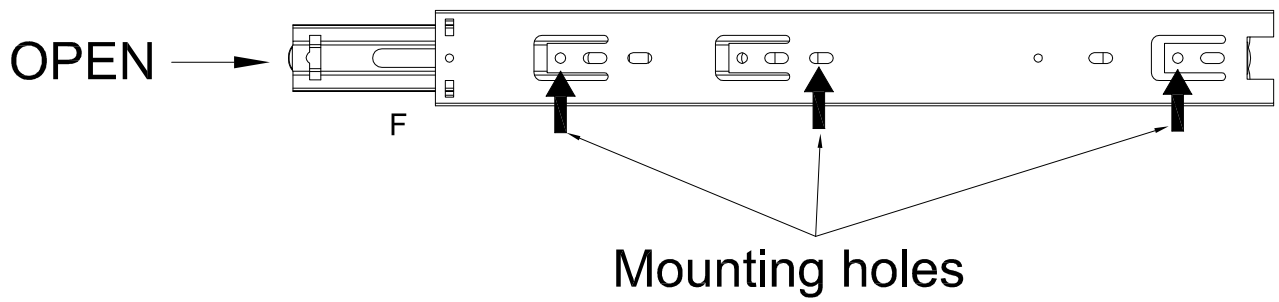
Step 2



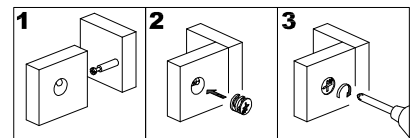
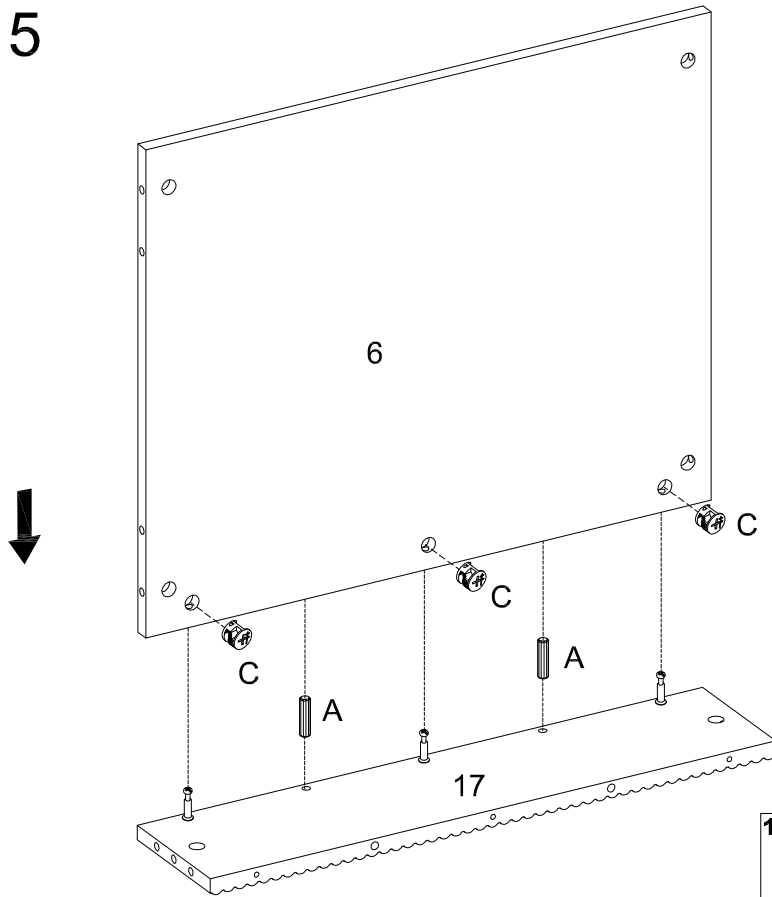
Step 3



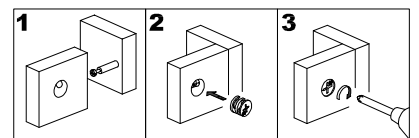
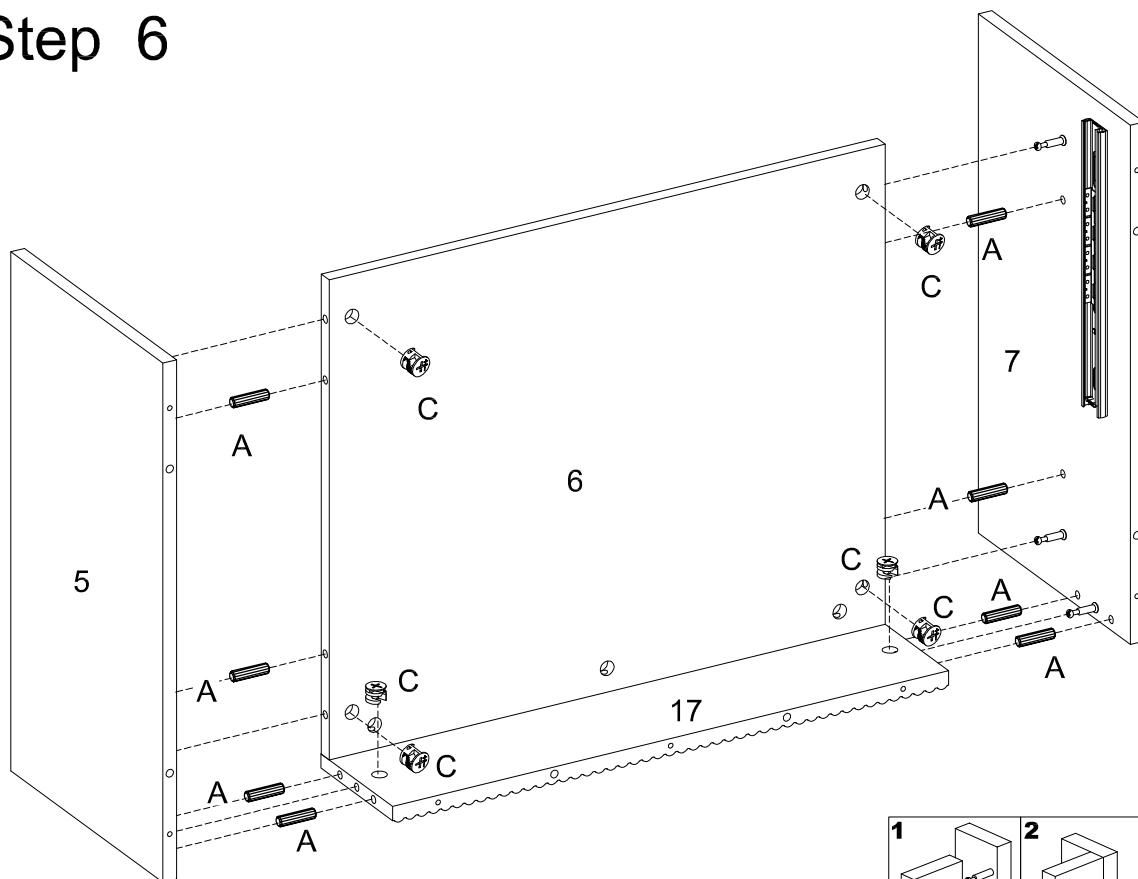
Step 4



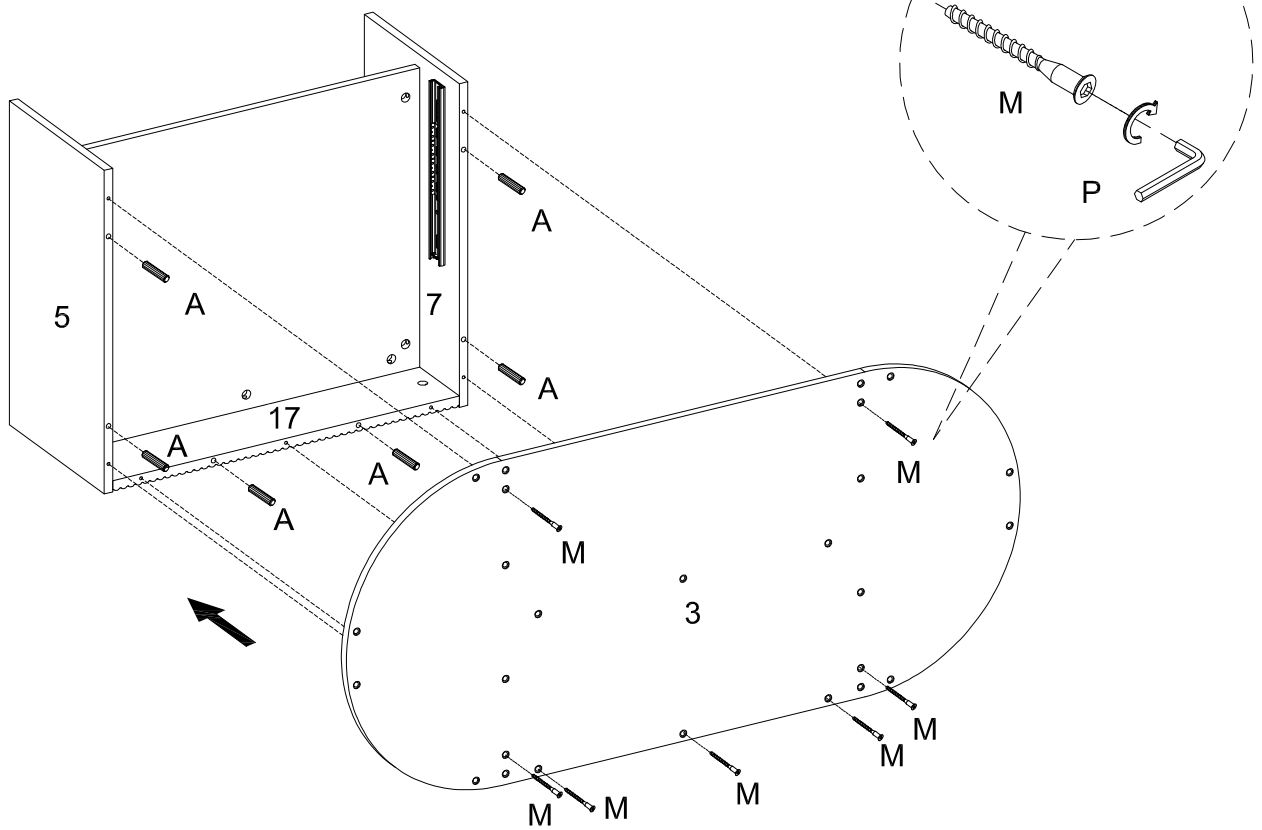
Step 5



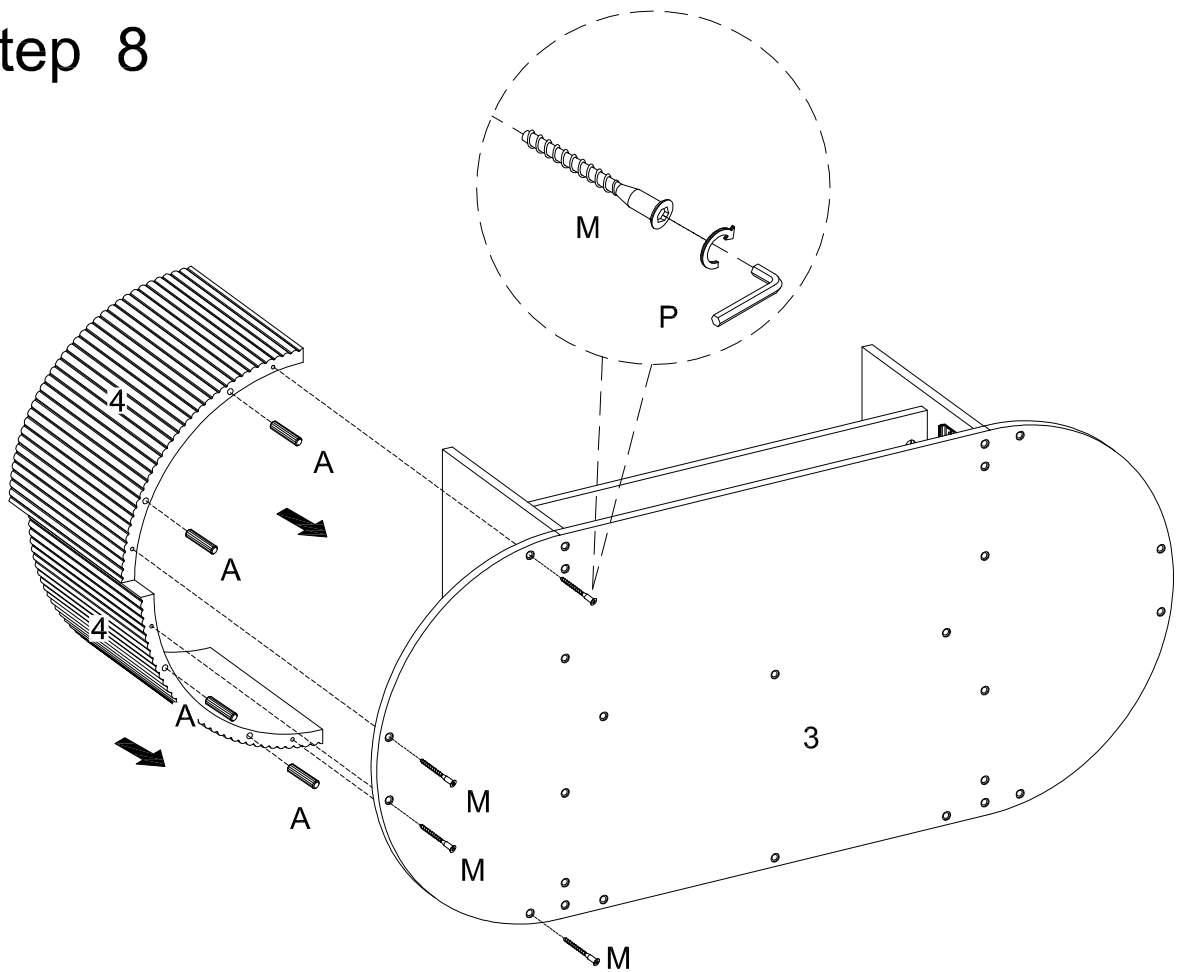
Step 6



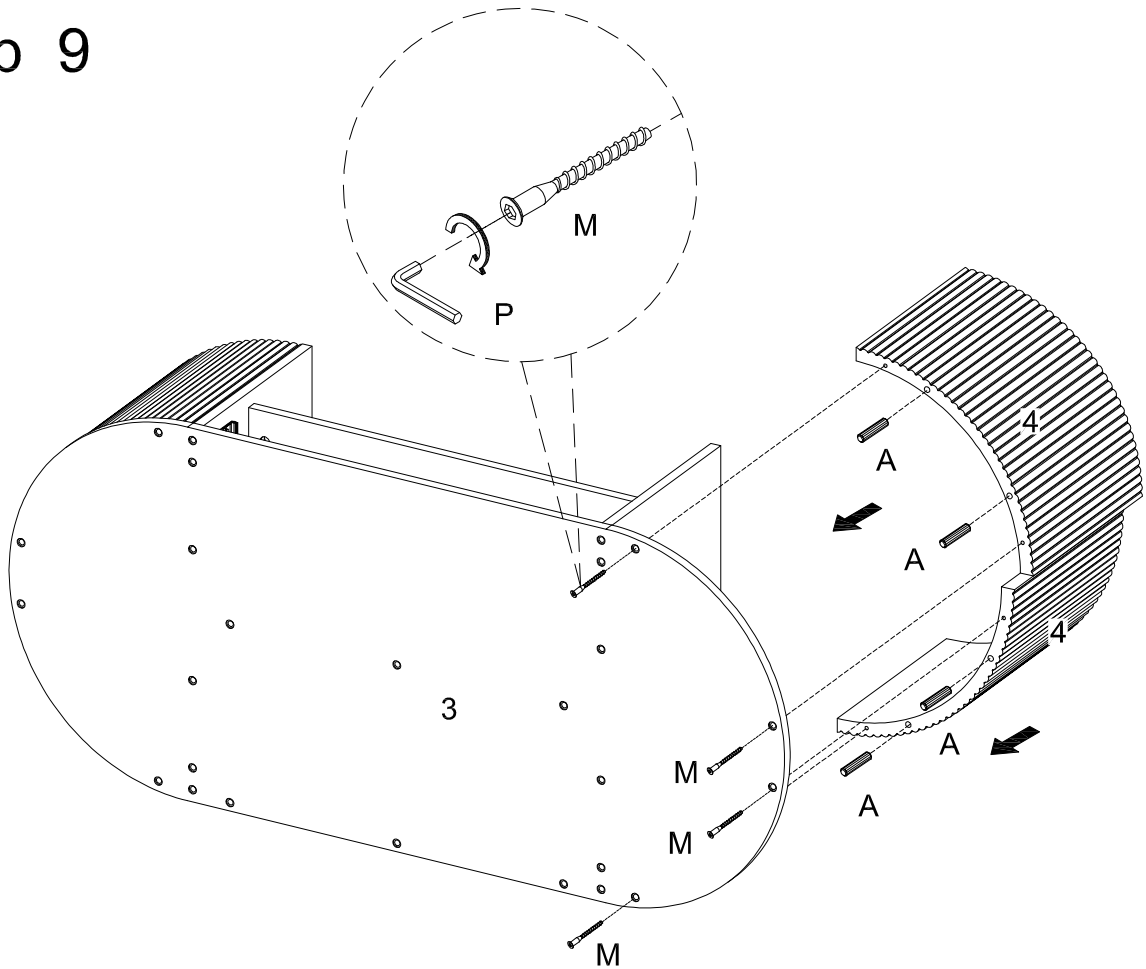
Step 7



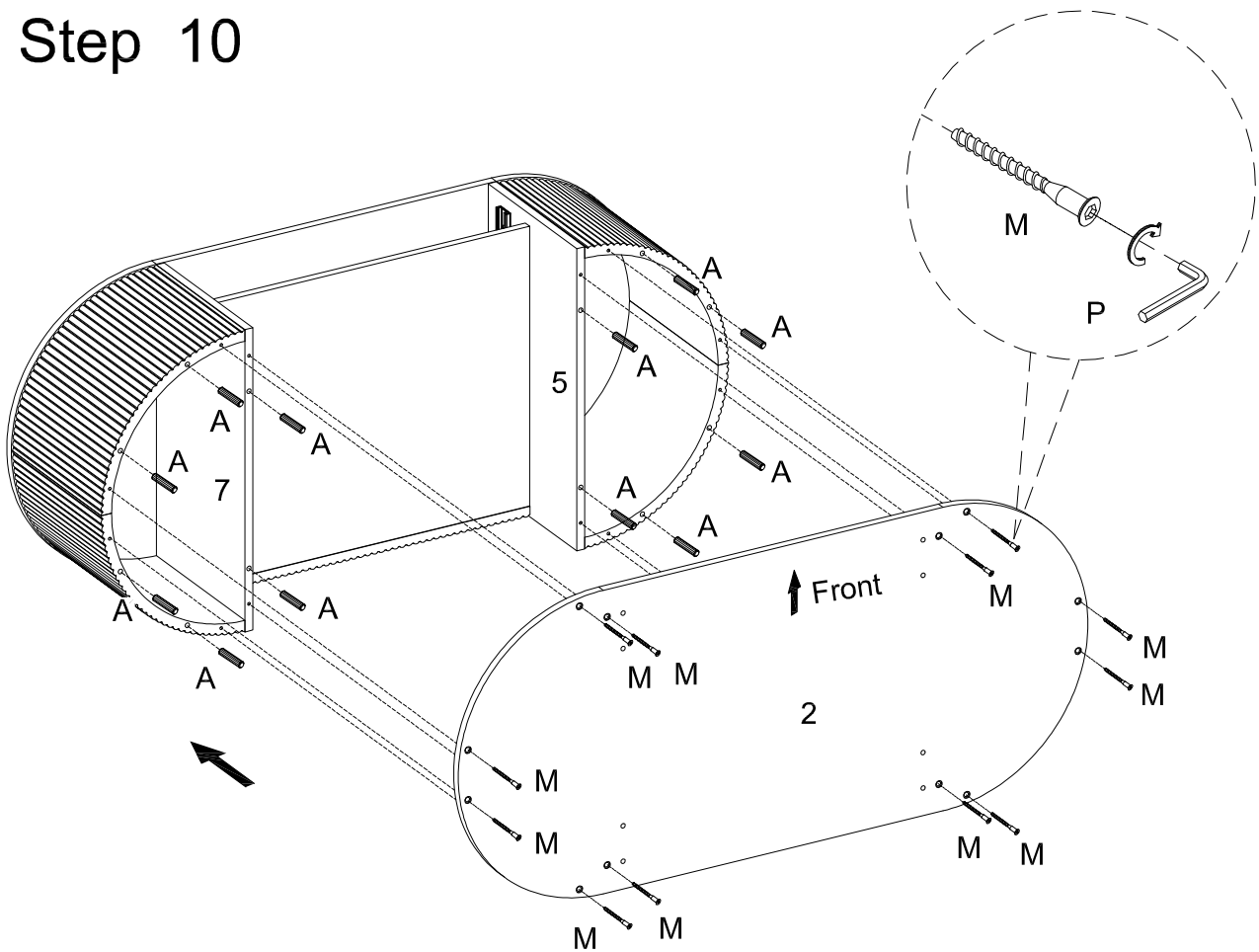
Step 8



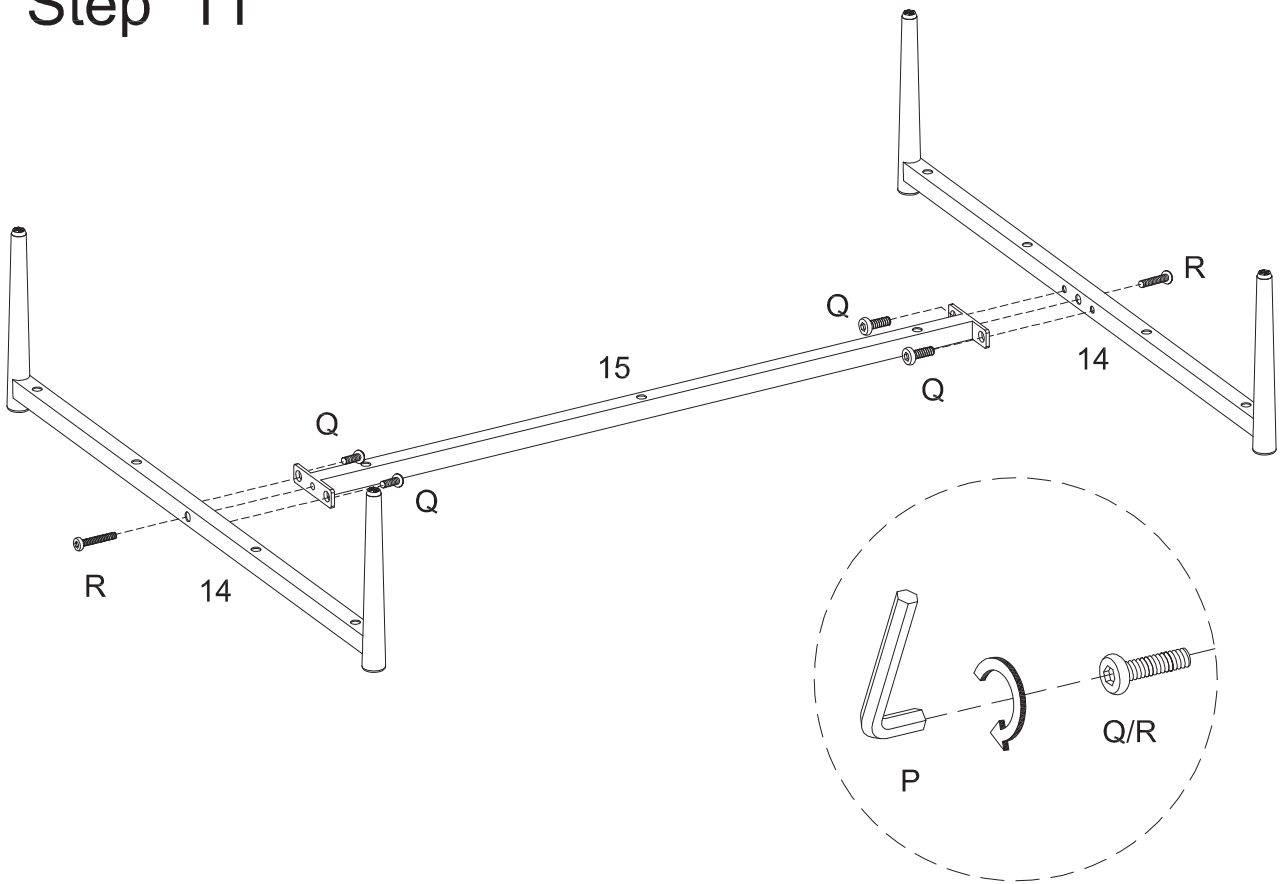
Step 9



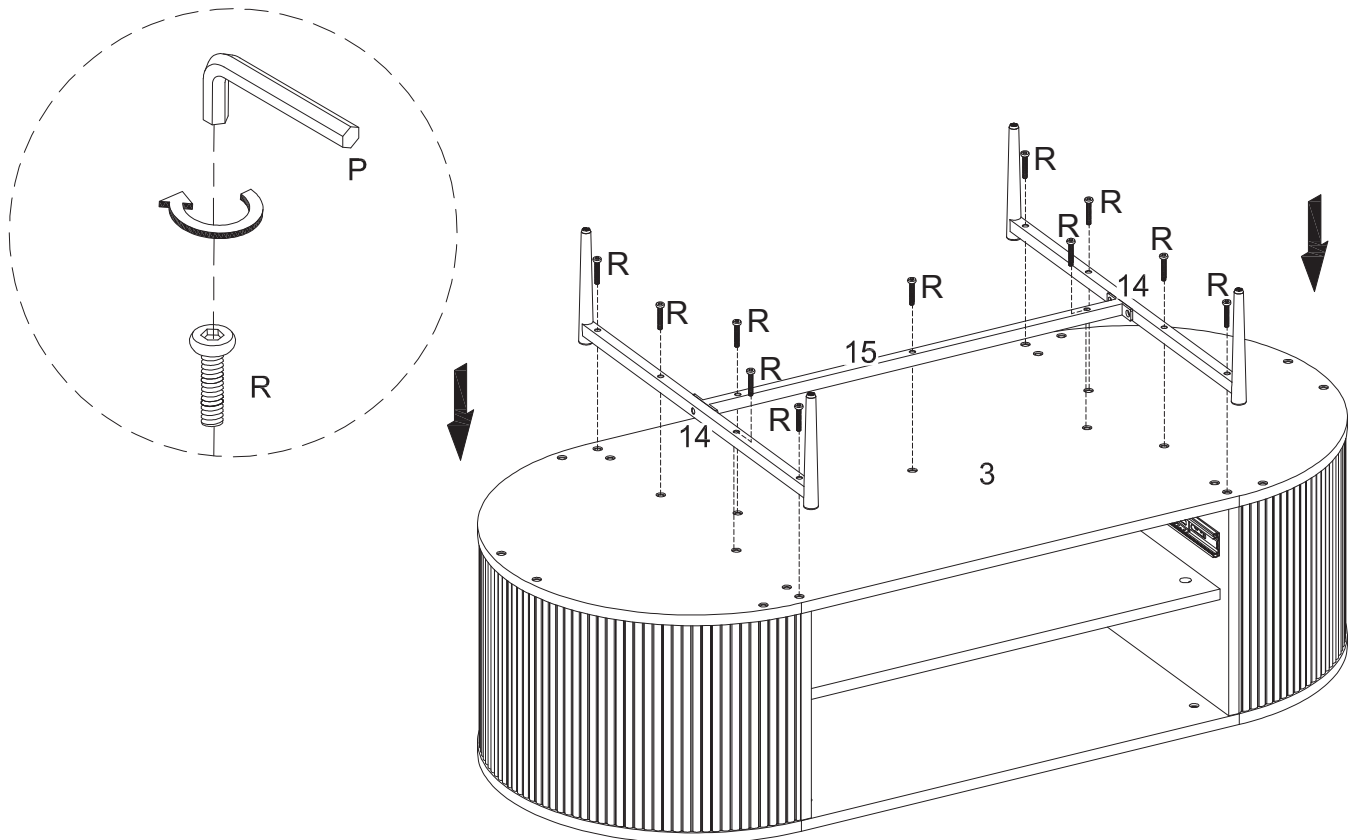
Step 10



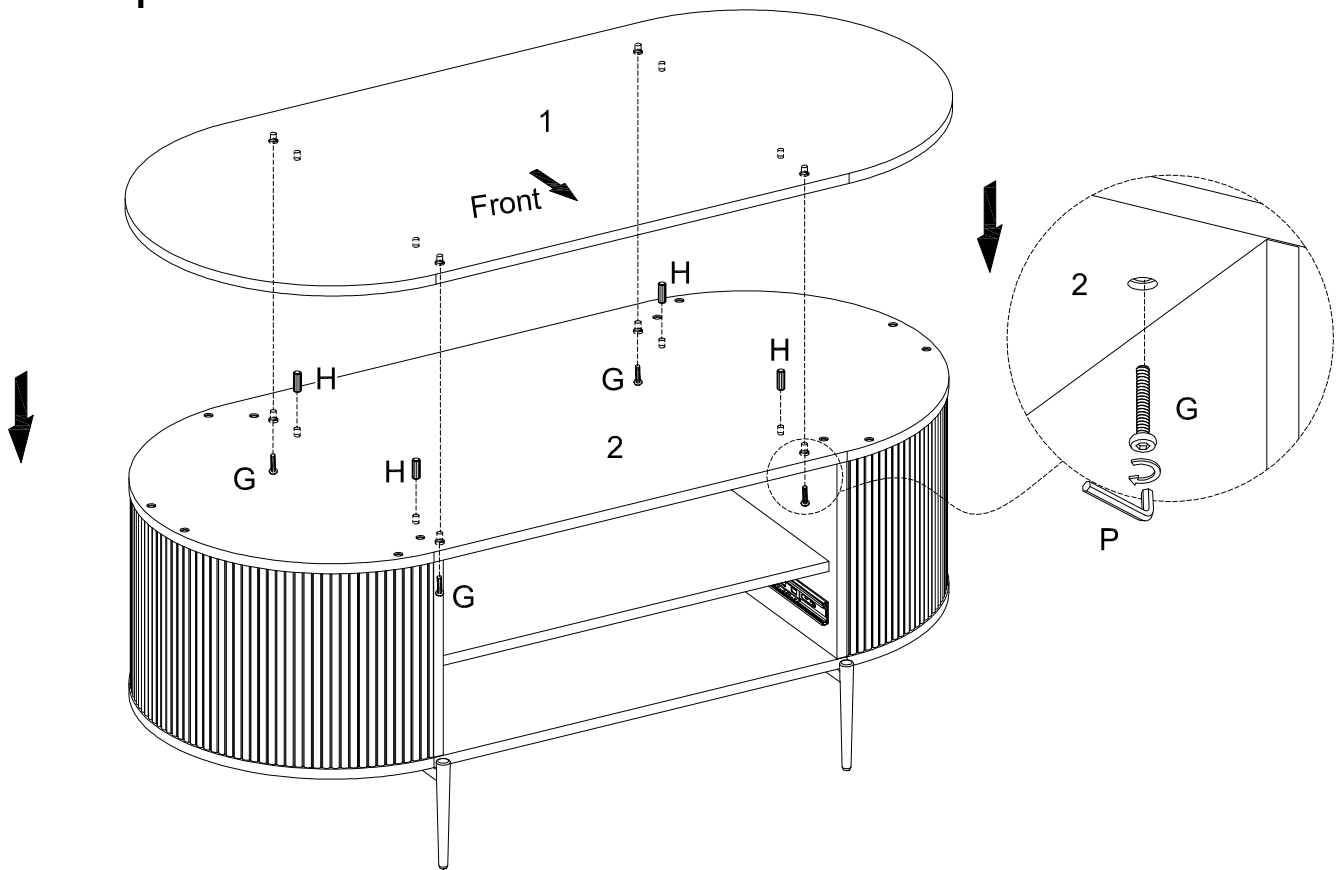
Step 11



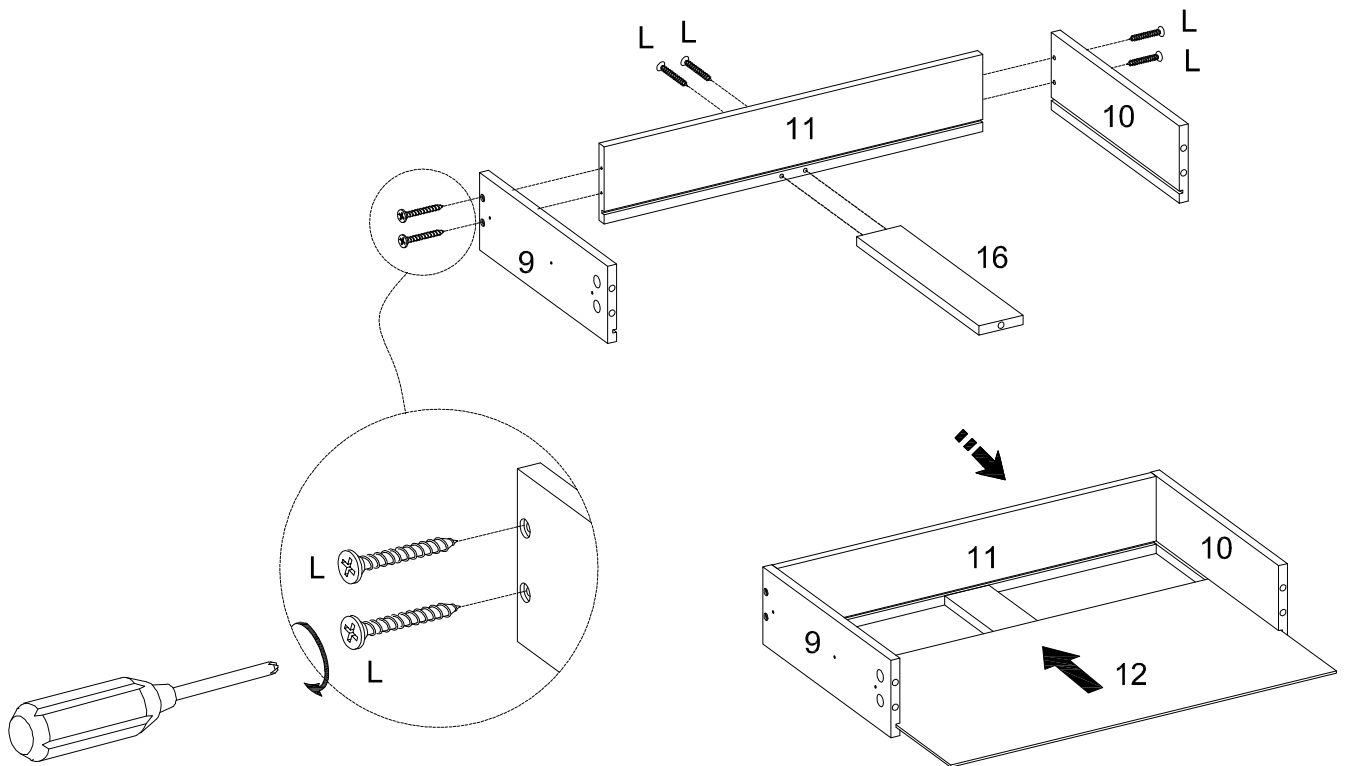
Step 12



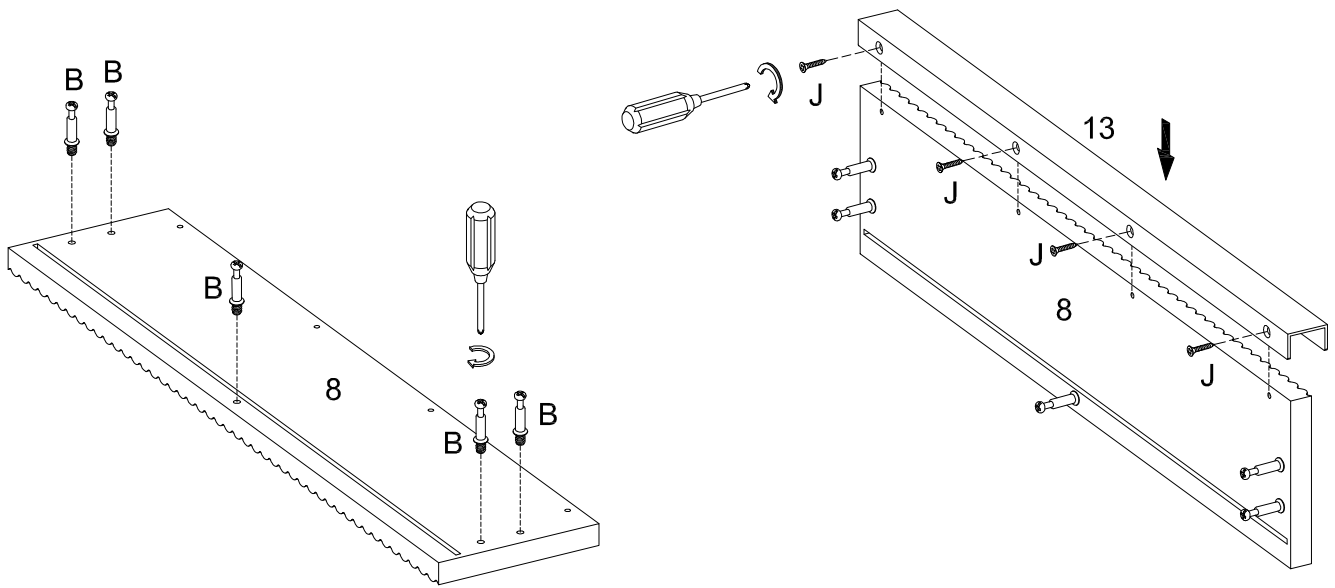
Step 13



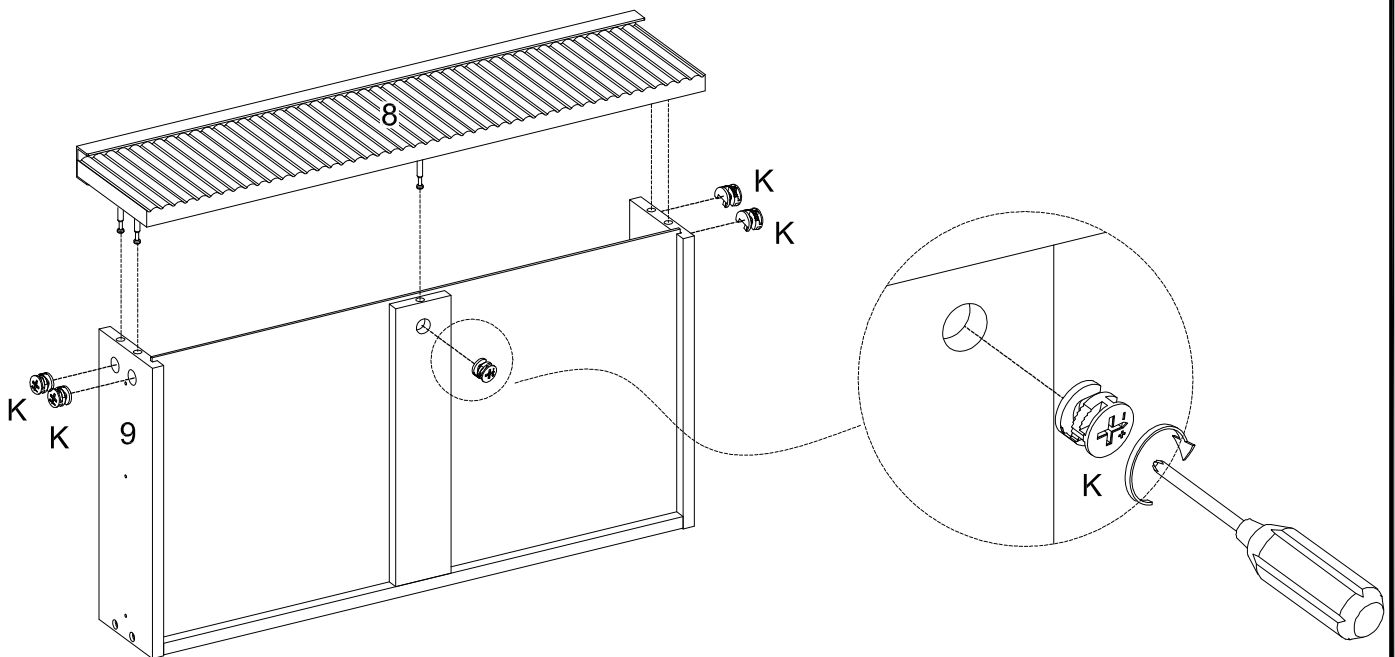
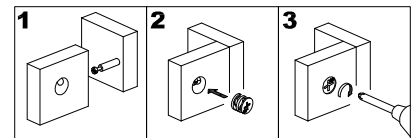
Step 14



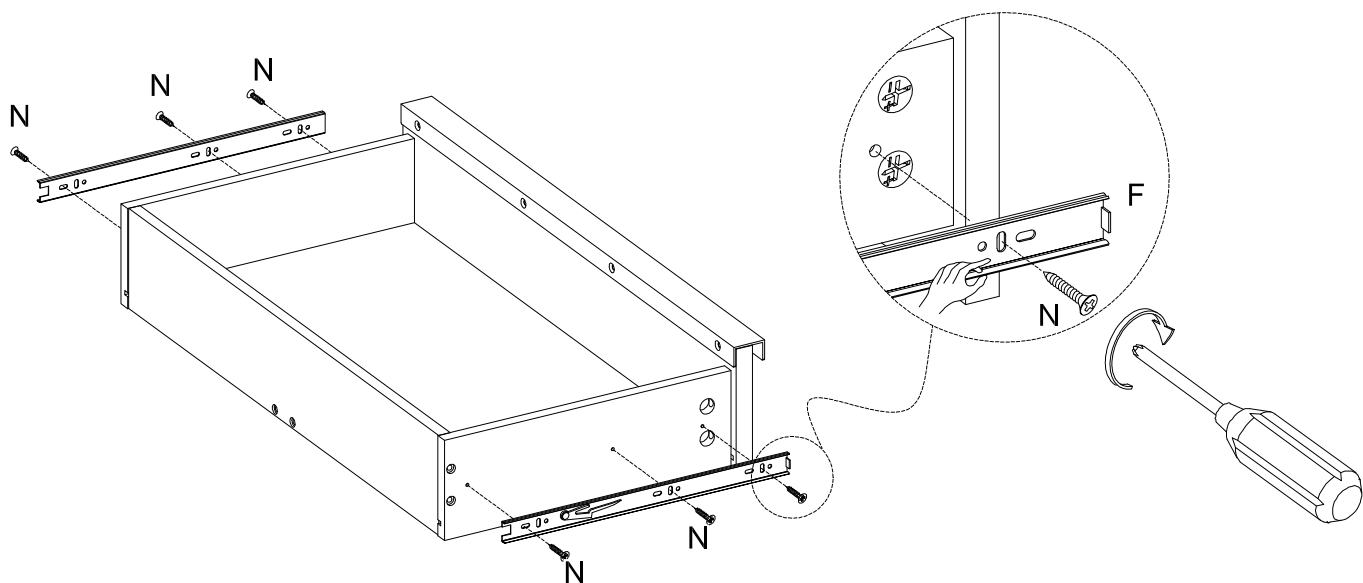
Step 15



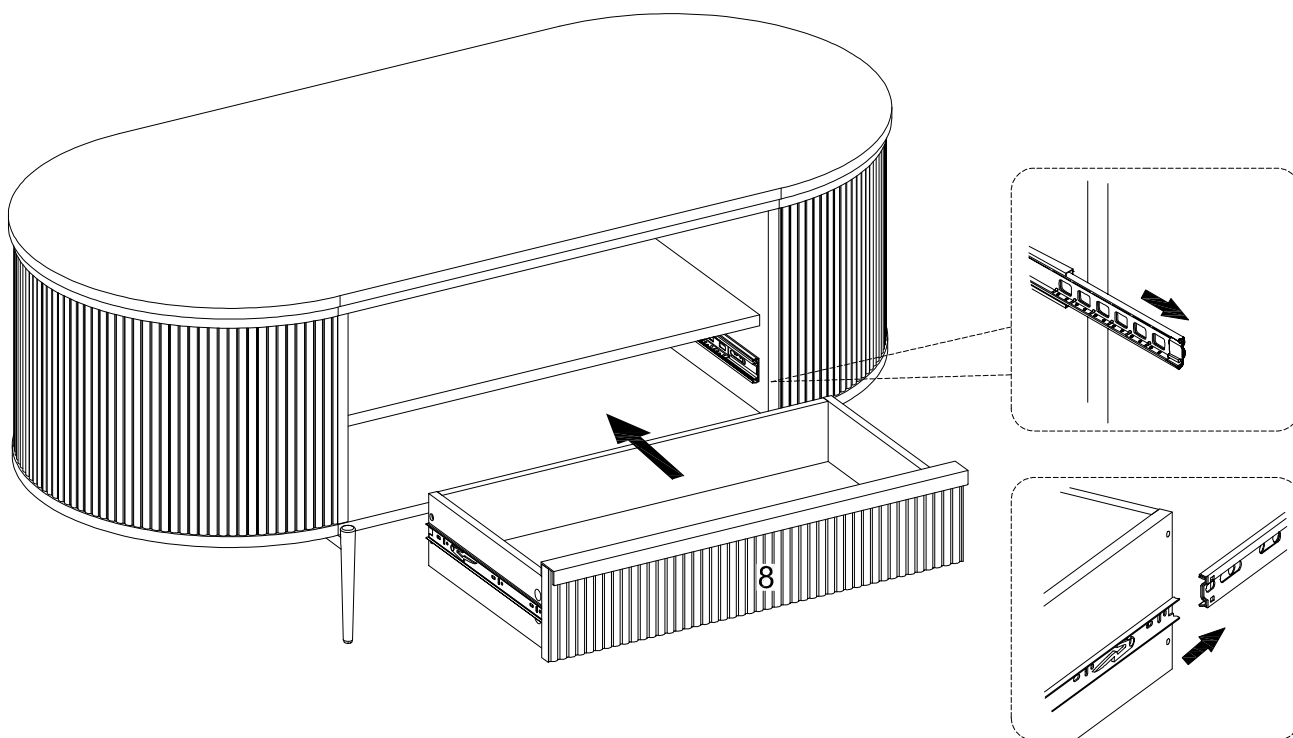
Step 16



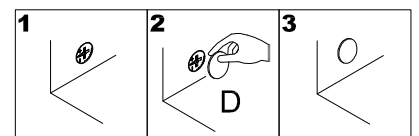
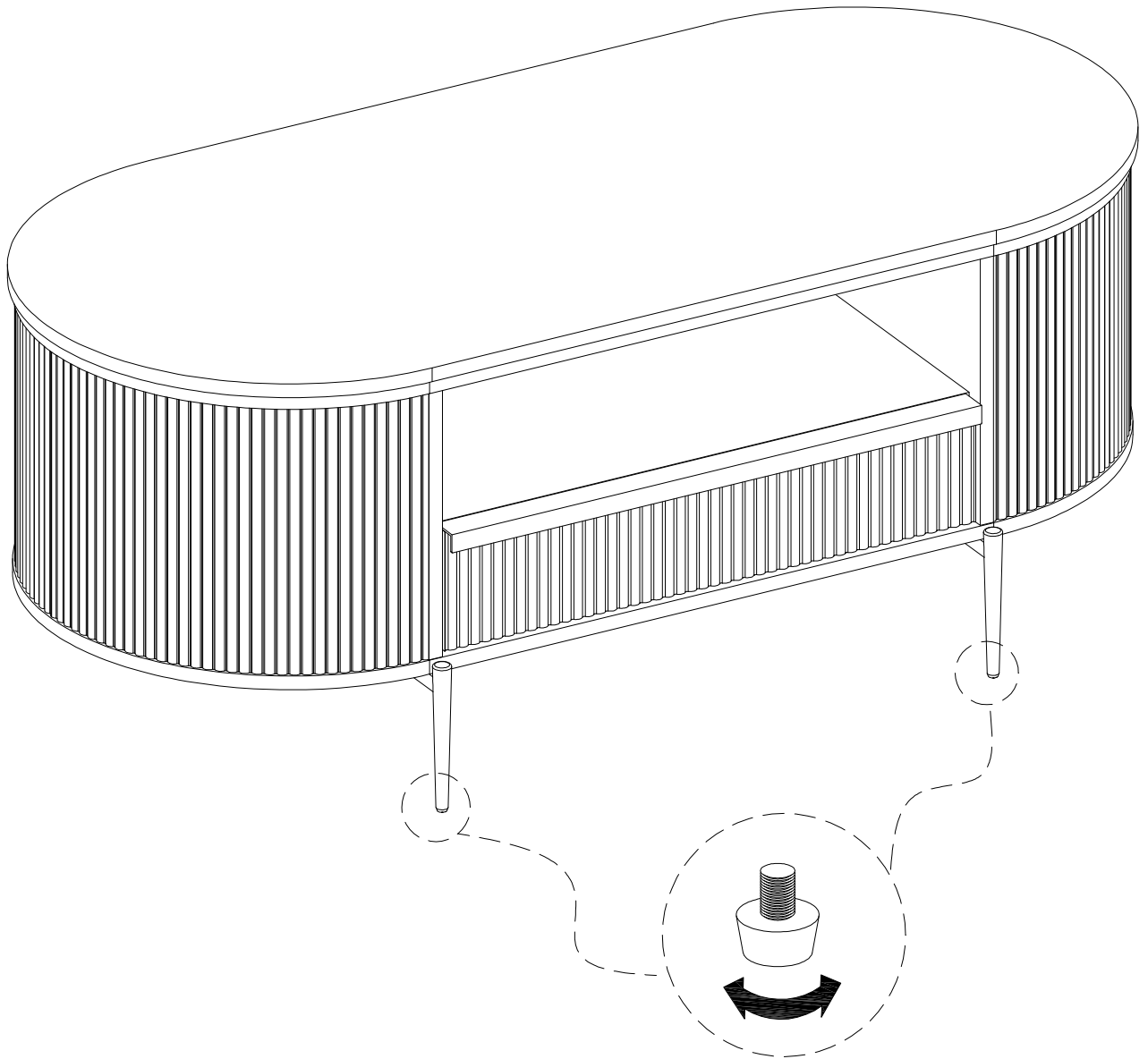
Step 17



Step 18



Step 19



Final Assembly