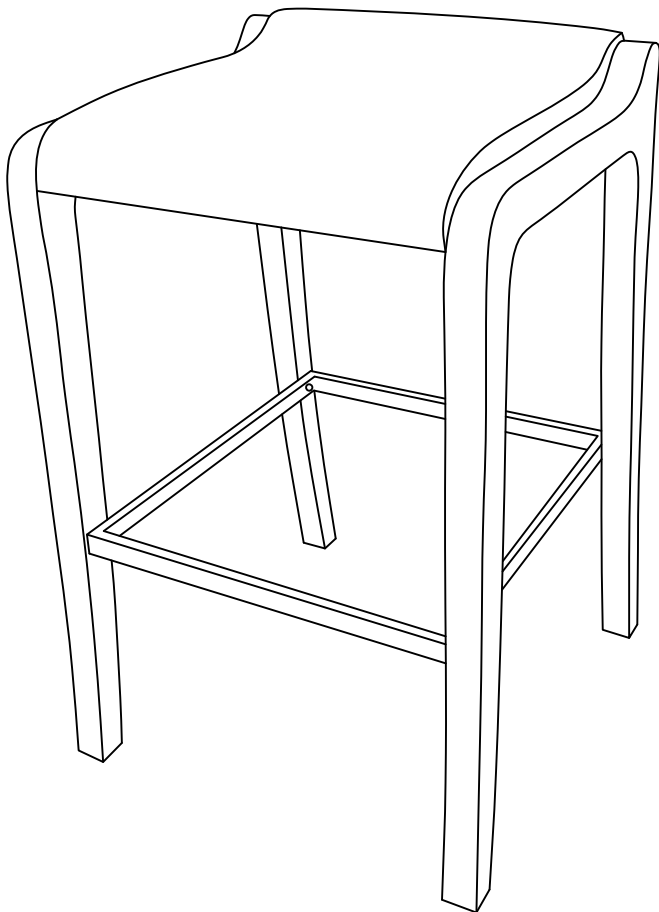


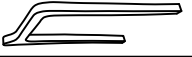




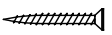






Assembly Instruction

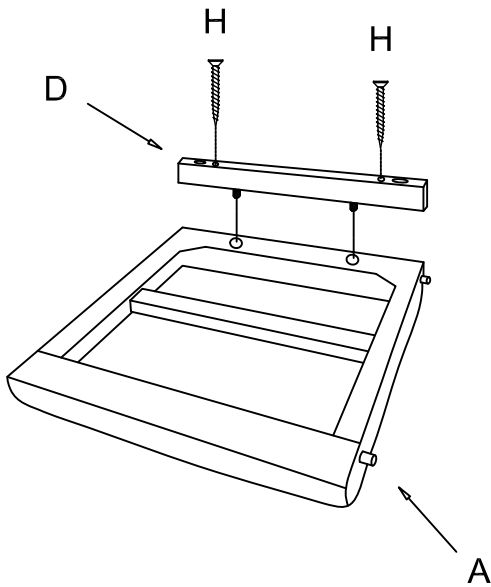
Wood Fastback Height Stool



A: Seat Pad	
B: Right Leg Frame	
C: Left Leg Frame	
D: Cross bar	
E: Seat Stretcher	
F: (4) Long Bolts	
G: (4) Short Bolts	
H: (4) Screws	
I: (8) Lock Washers	
J: (4) Big Flat Washers	
K: (4) Small Flat Washers	
L: Allen Wrench	

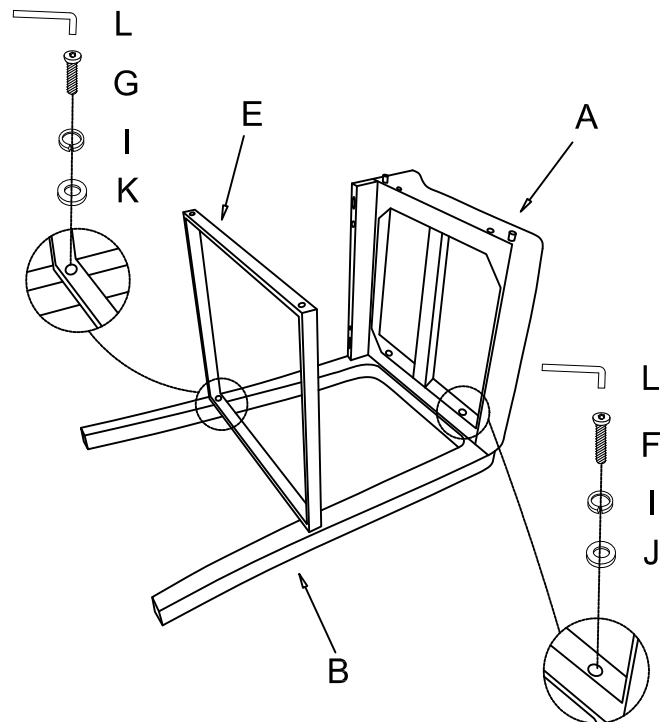
Step 1

Place seat pad (A) upside down and fasten the cross bar (D) into seat pad with (2) screws (H).



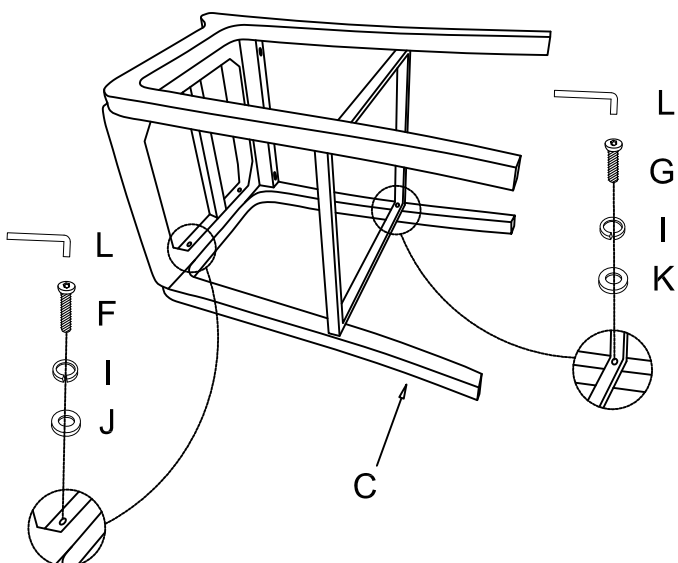
Step 2

Attach Seat pad (A) to right leg frame (B) with (2) long bolts (F) and parts (I & J) by Allen wrench (L). Fasten the metal seat stretcher (E) with (2) short bolts (G), small flat washers (K) and lock washers (I) using the Allen wrench (L). Do not tighten yet.



Step 3

Do the same thing on left leg frame. Tighten all bolts now.



Step 4

Fasten the cross bar (D) into Legs with (2) screws (H).

