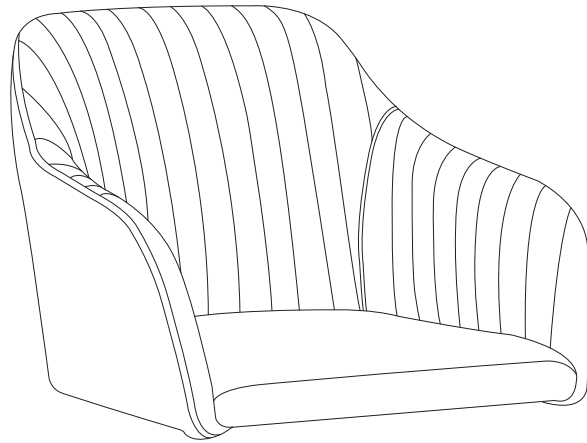
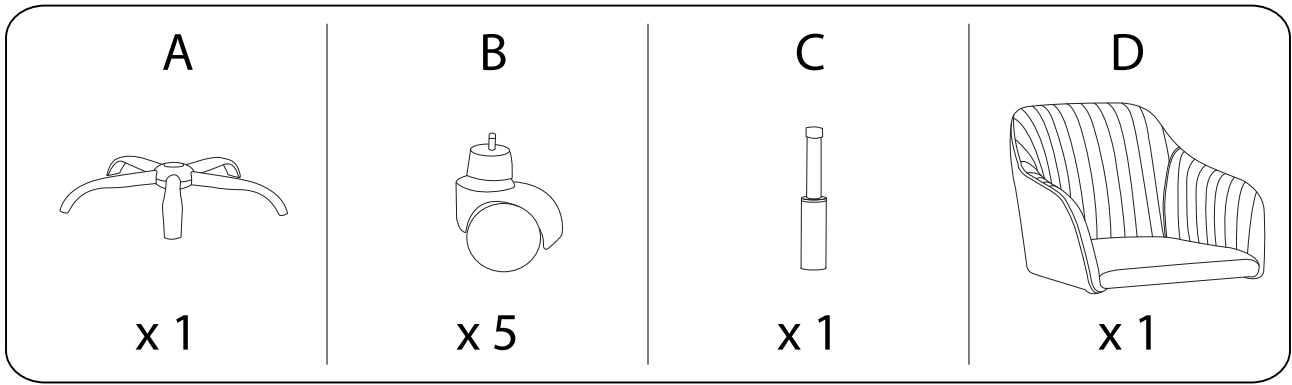


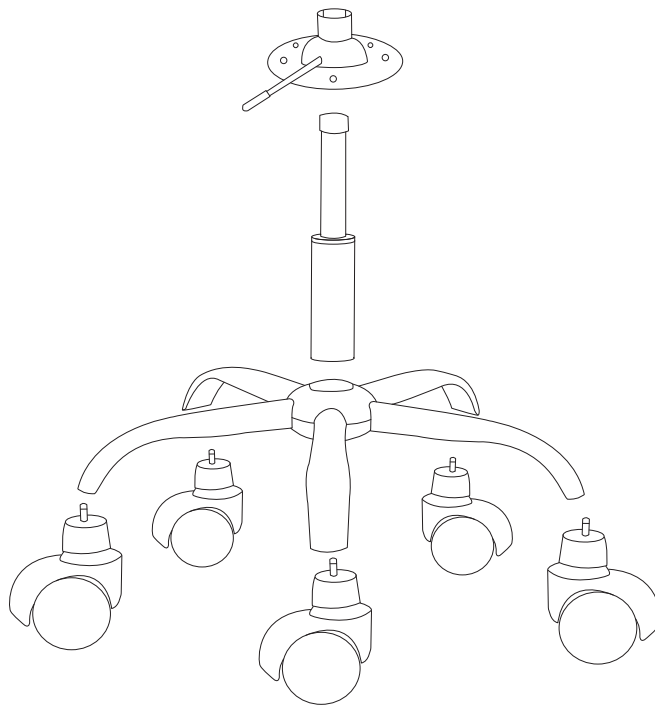


Assembly instructions for the chair base:

- Top Section:** Shows an L-shaped metal bracket and a power drill with a slash through it, indicating that a power drill should not be used. A warning triangle with an exclamation mark is positioned to the right. Below this is a clock icon with the text "30'", indicating a 30-minute assembly time.
- Bottom Section:** Shows a rectangular base plate being placed on a carpeted floor and a diagram of the base plate being secured to the floor with a screw. A warning triangle with an exclamation mark is positioned to the right. Below this is a person icon with the text "1", indicating that one person is required for this step.



**D x 1**

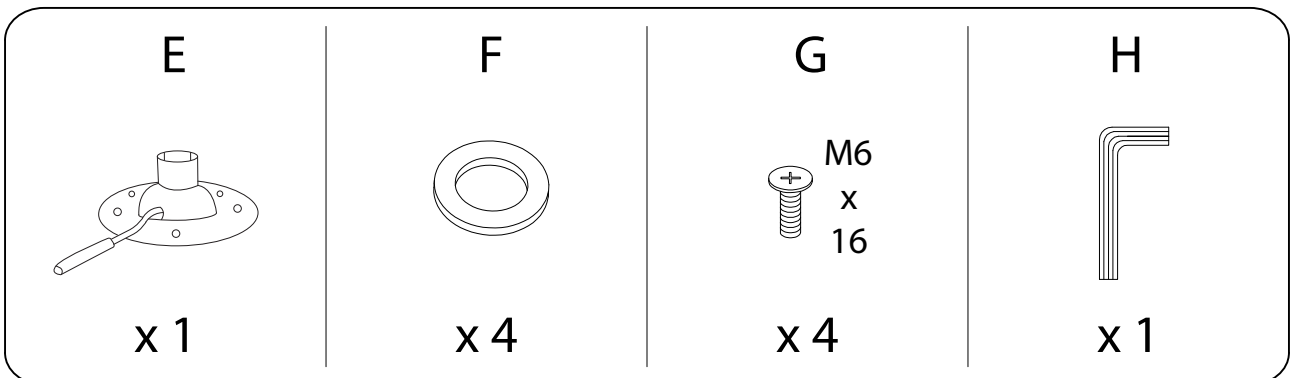


**E x 1**

**C x 1**

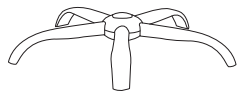
**A x 1**

**B x 5**



1

A

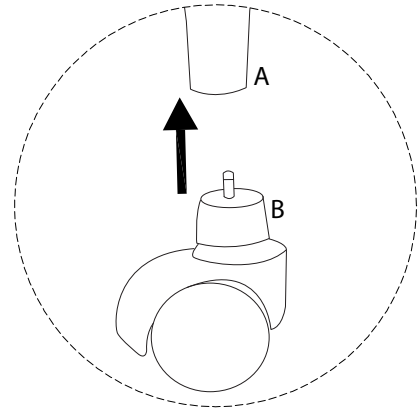
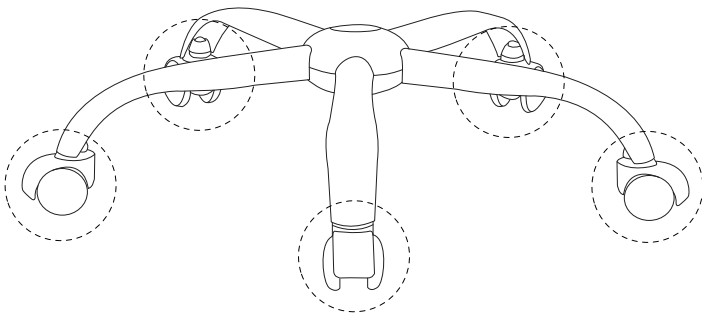


x 1

B

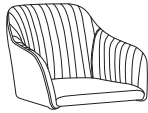


x 5



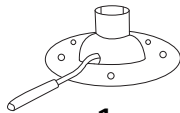
2

D



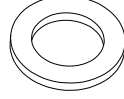
x 1

E



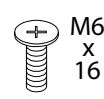
x 1

F



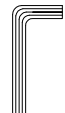
x 4

G

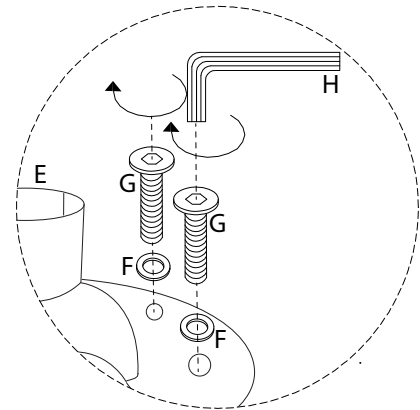
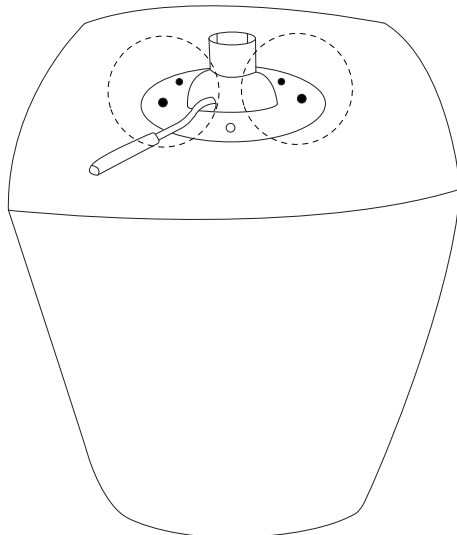


x 4

H



x 1



3

C



x1

