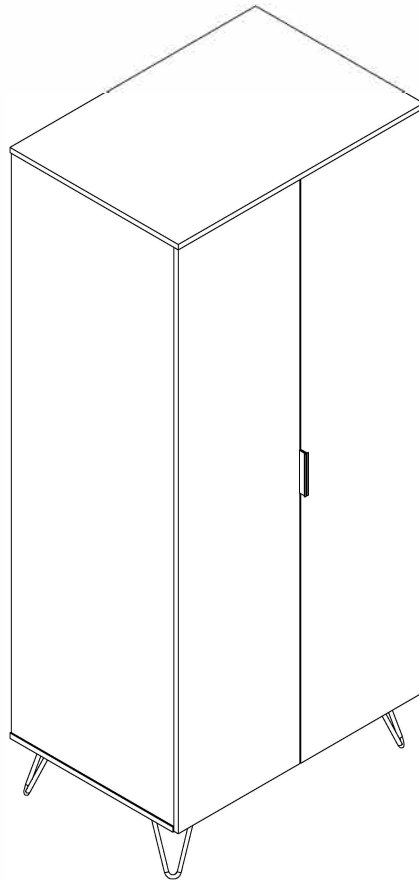
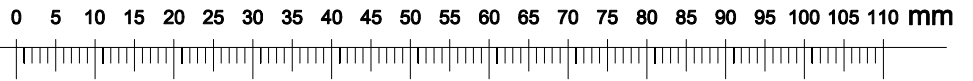









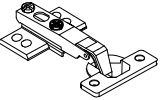
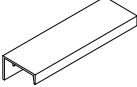
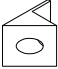
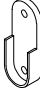


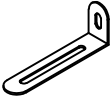
ASSEMBLY INSTRUCTION

CAM BOLT 2 DOOR ROBE



HARDWARE

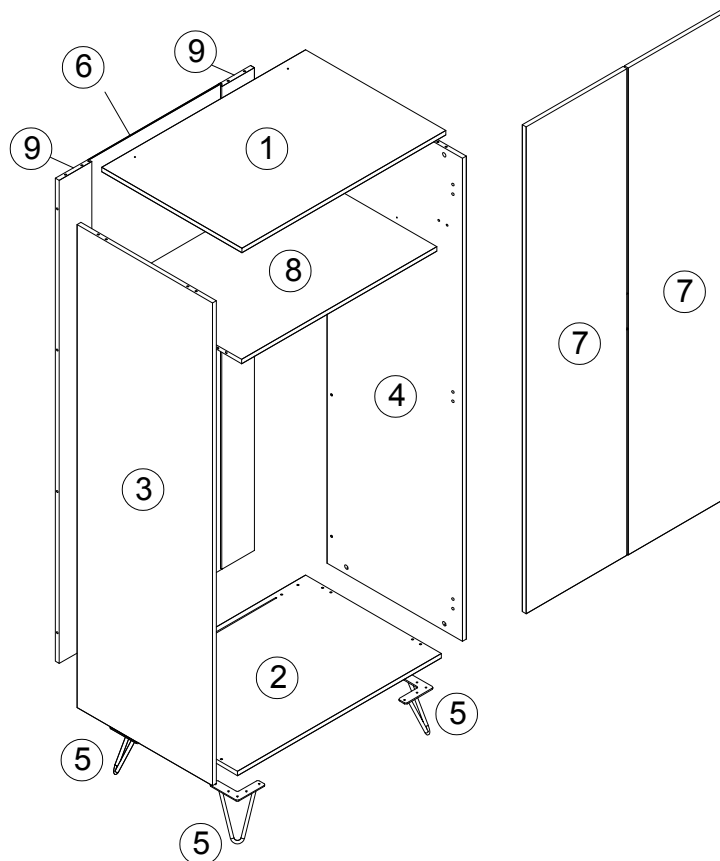


A $\phi 8 \times 30$  x12	B $\phi 8 \times 38$  x28	C $\phi 15 \times 12$  x28	D M3.5*14 WHITE  x40	E M3.5*14 BLACK  x4	F M3.5*16  x6	G M3.5*18  x20
H  x6	I  x2	J  x6	K  x2	L  x1	M M3.5*14  x2	N  x2

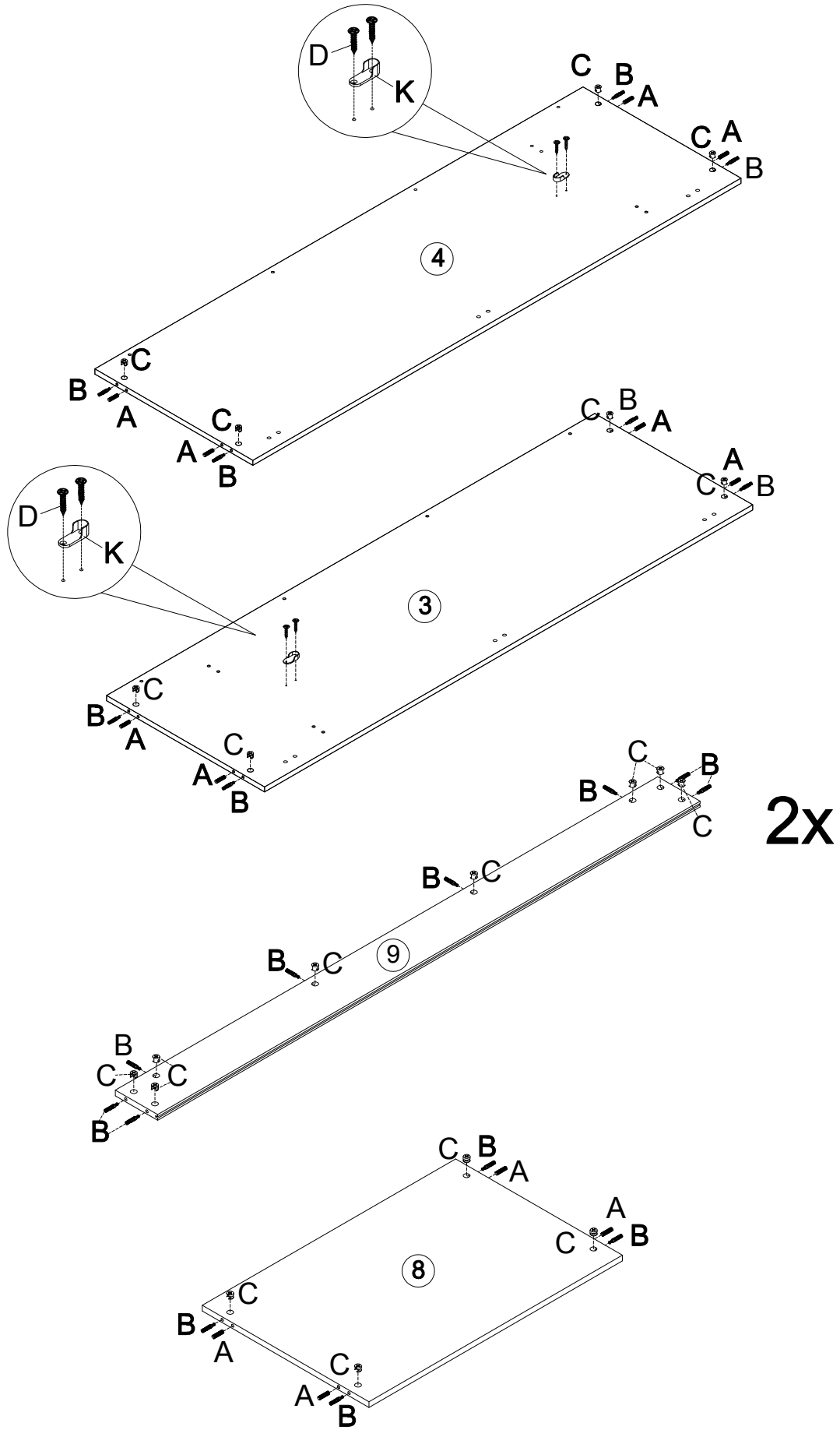
Tools Required-Not Supplied



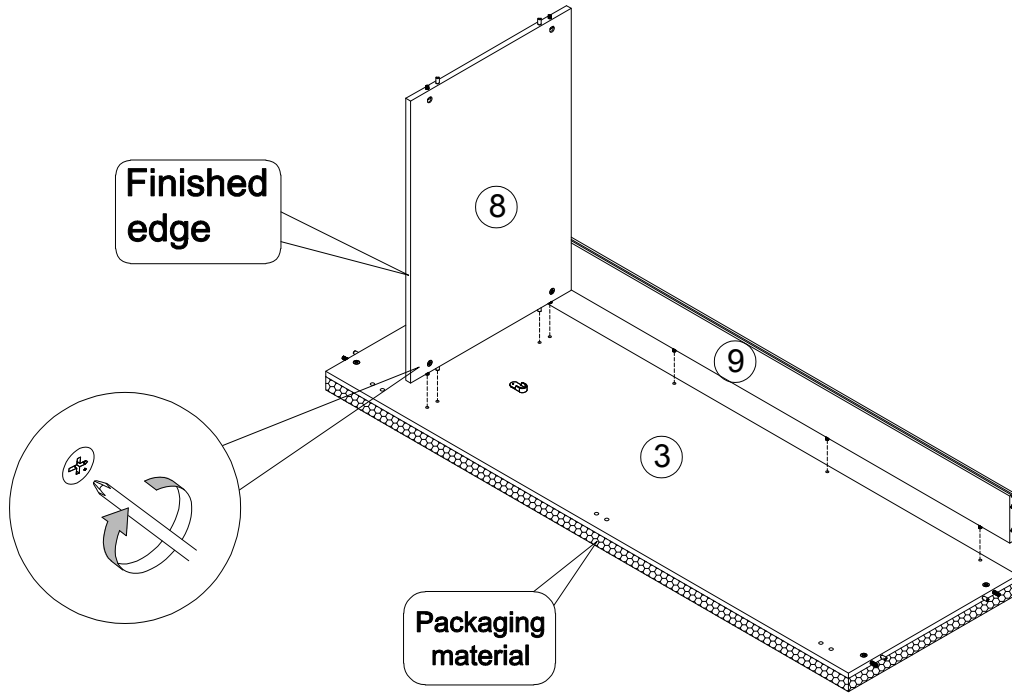
PARTS



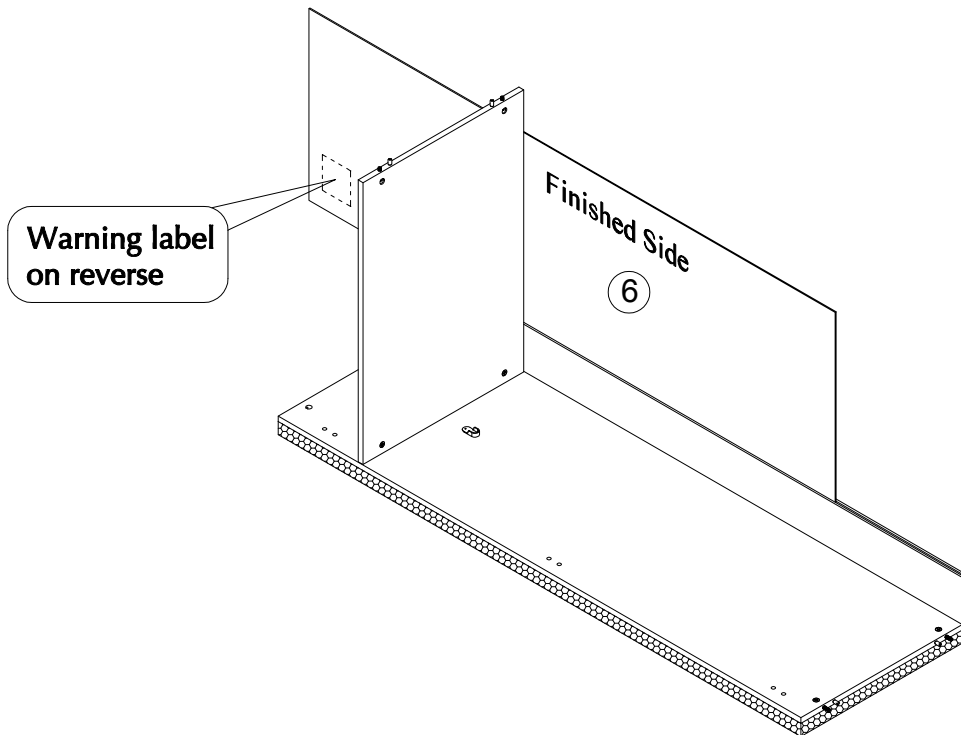
1



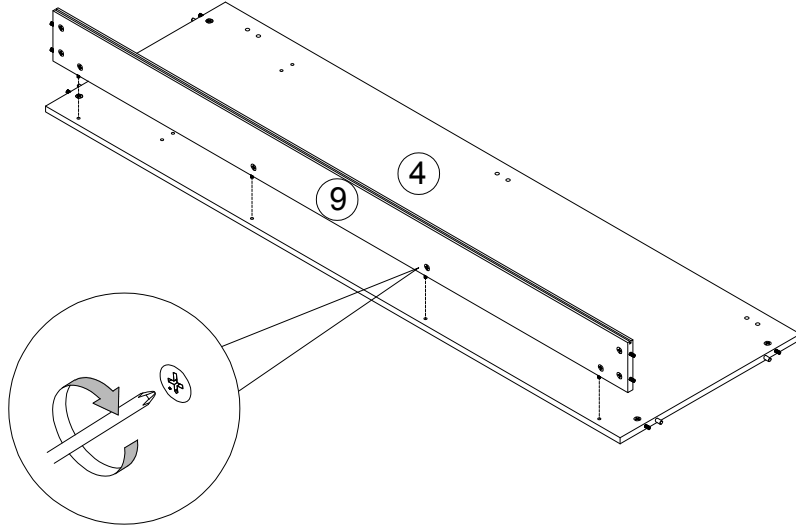
2



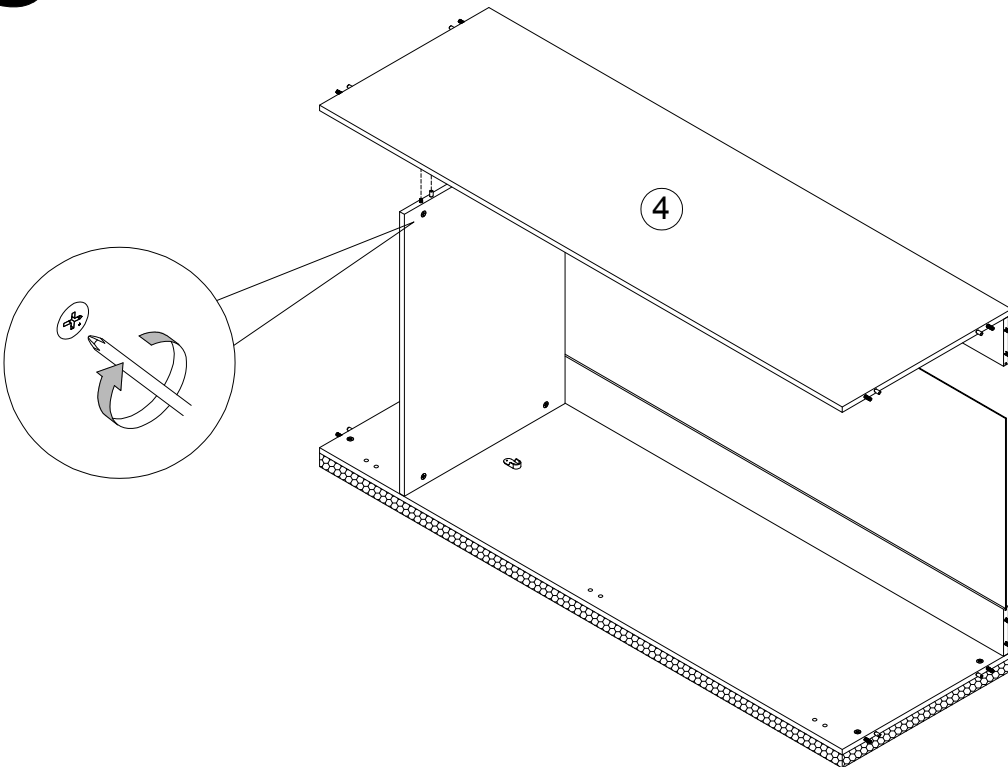
3



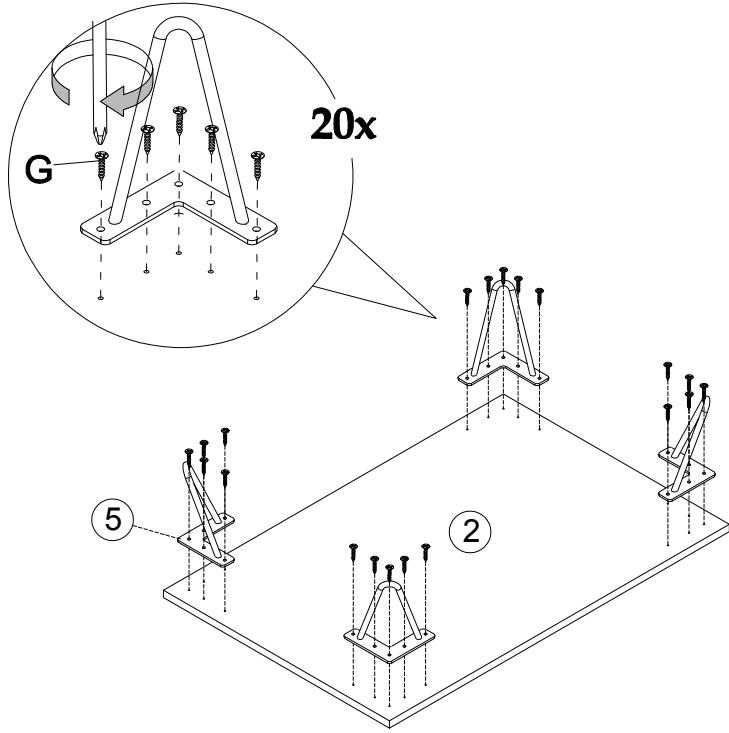
4



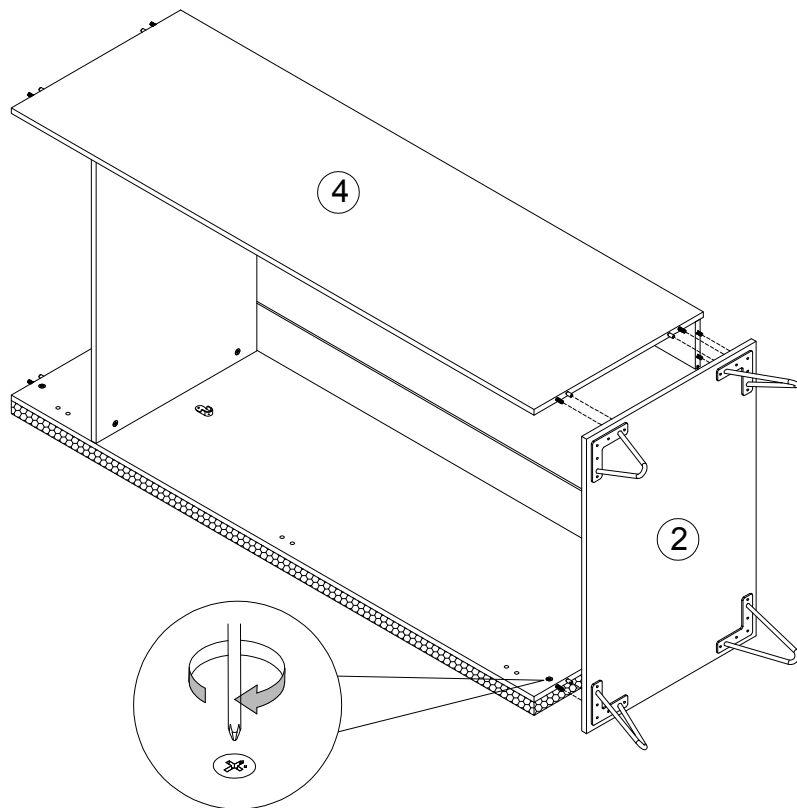
5



6

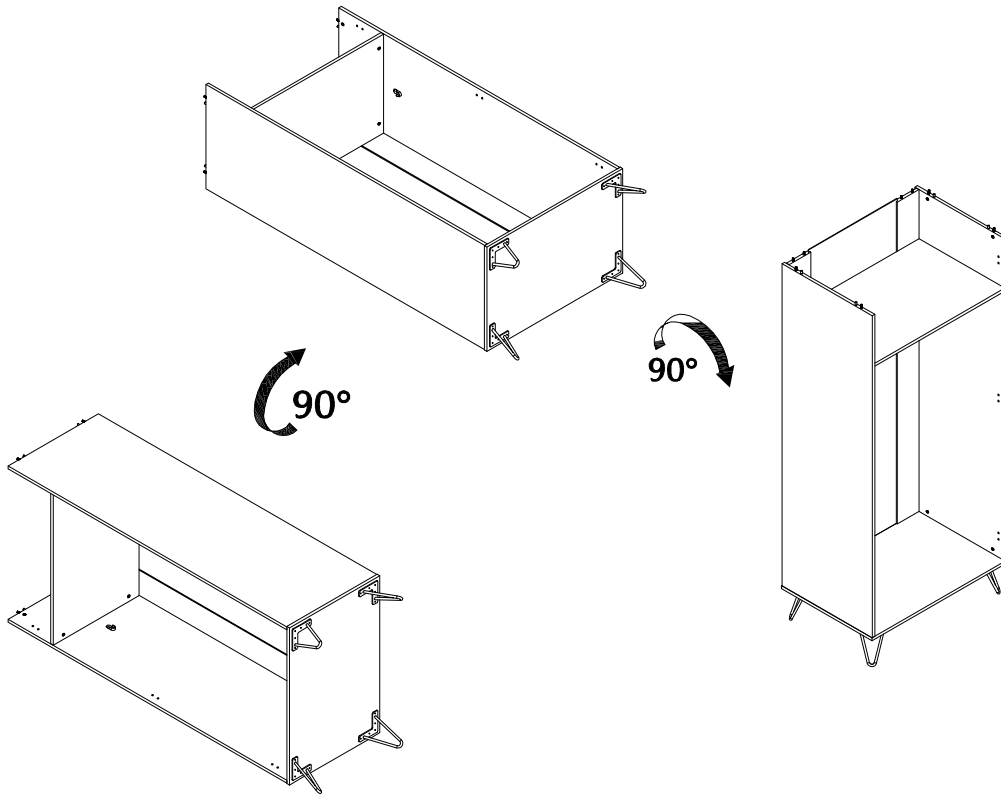
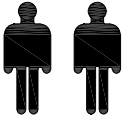


7

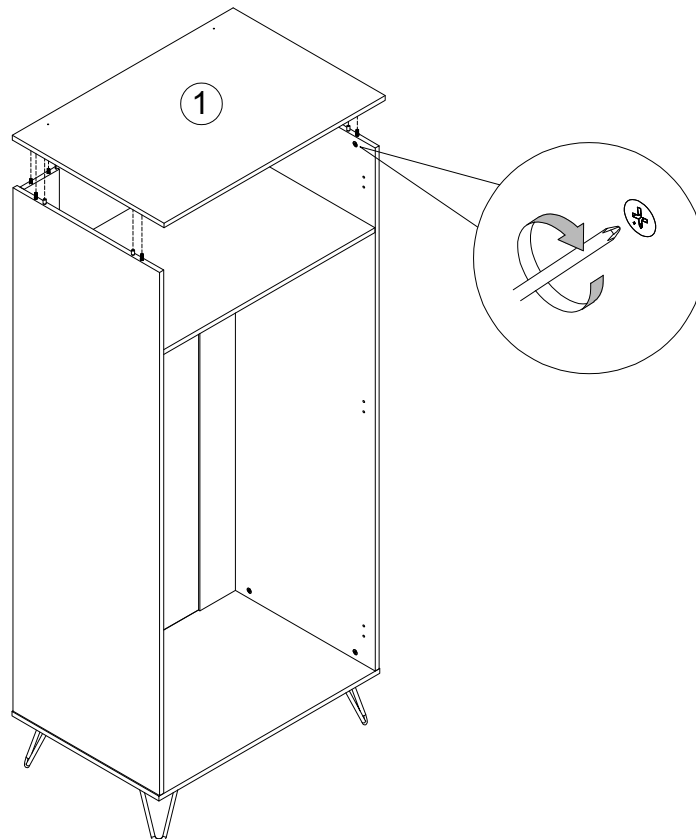


8

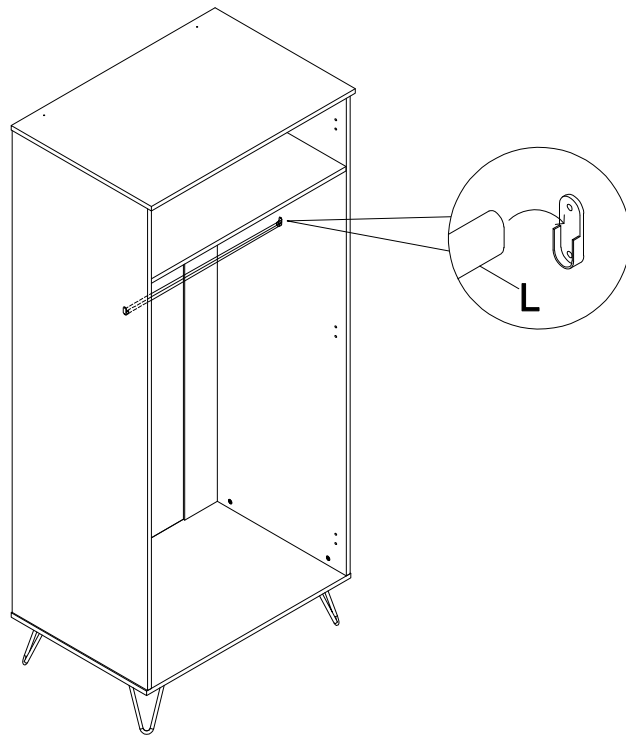
Check there are no loose fittings. Two people are required to over turn wardrobe. Do not attempt this step without assistance. Take great care when overturning wardrobe as shown



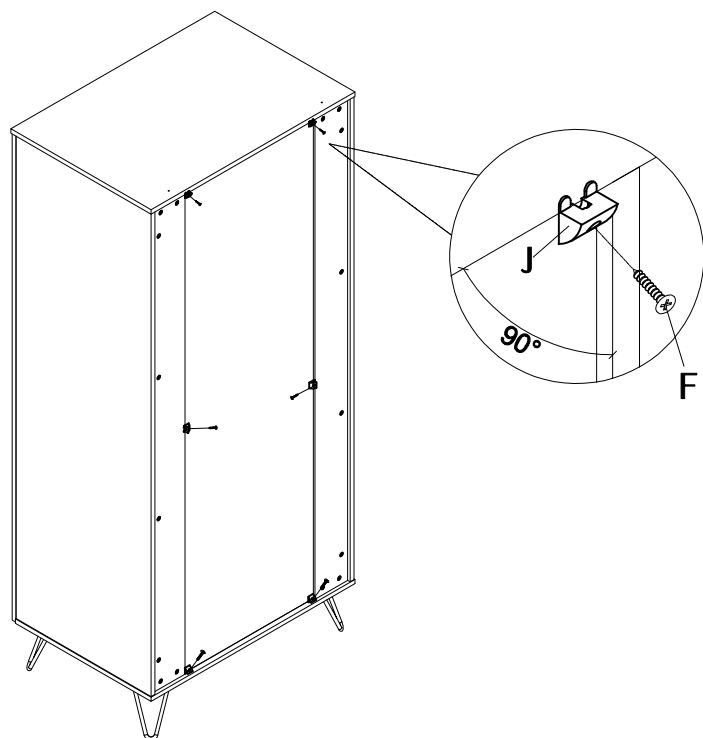
9



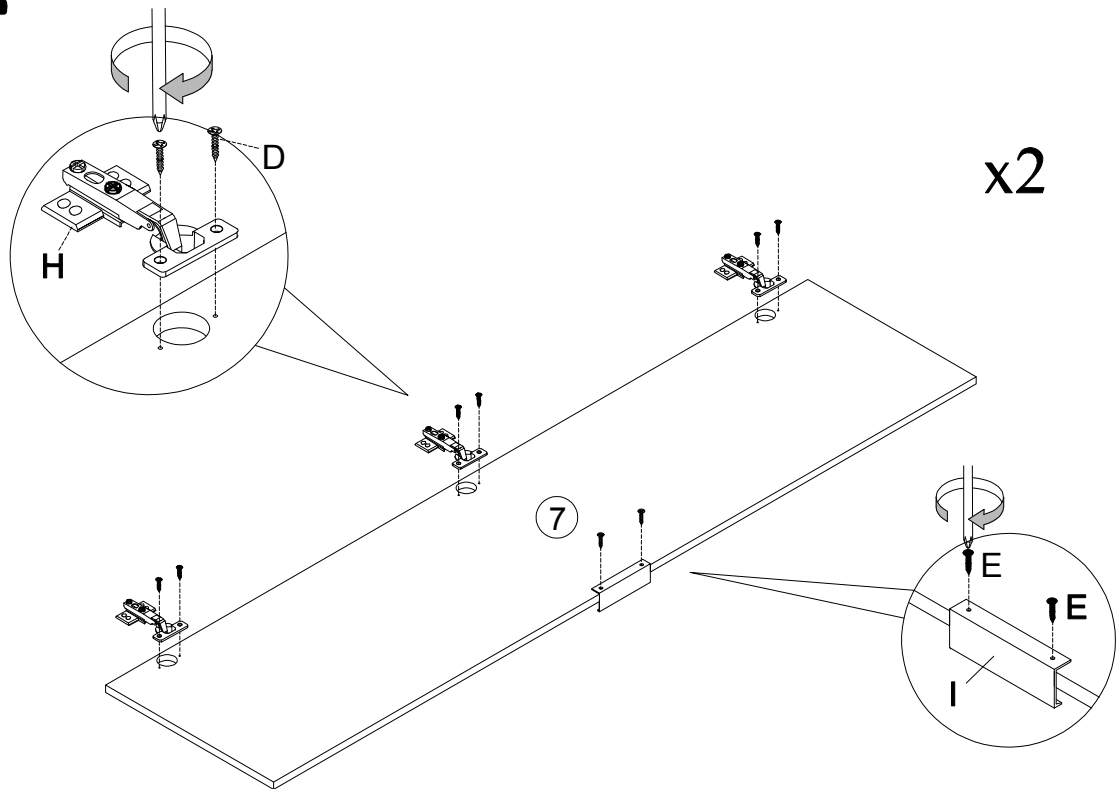
10



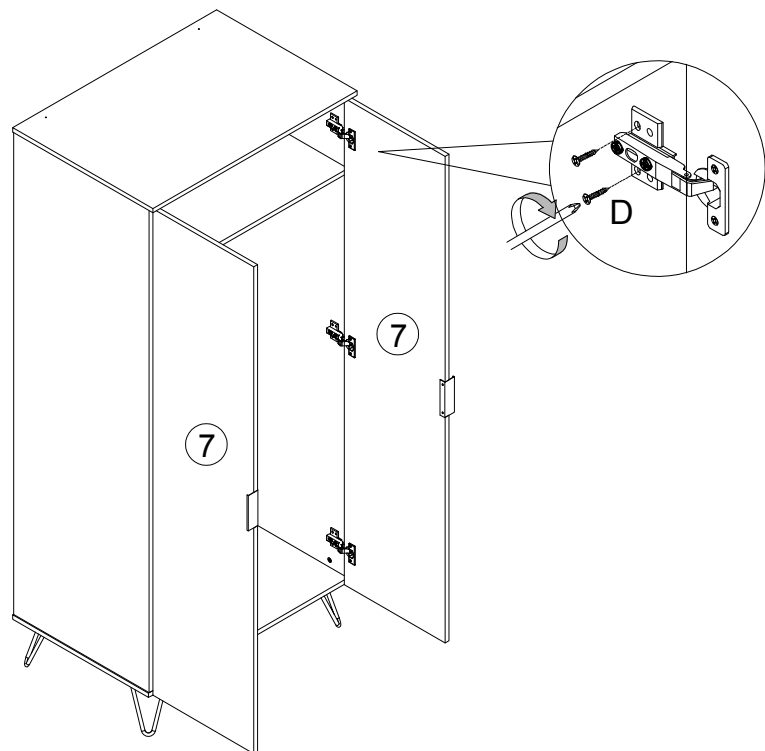
11



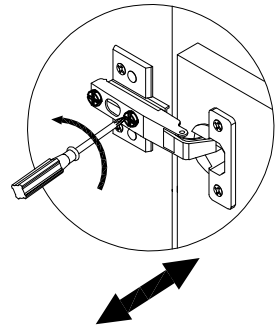
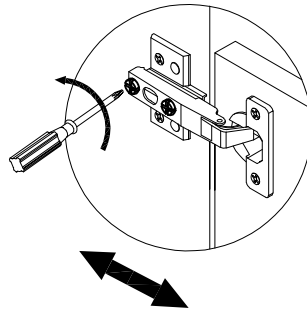
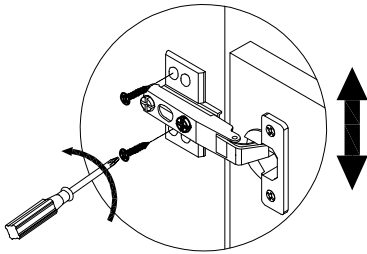
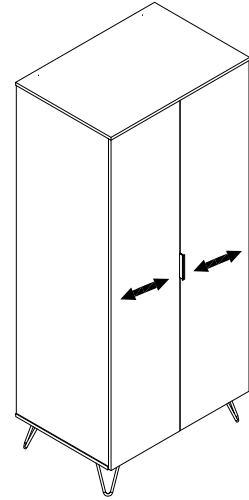
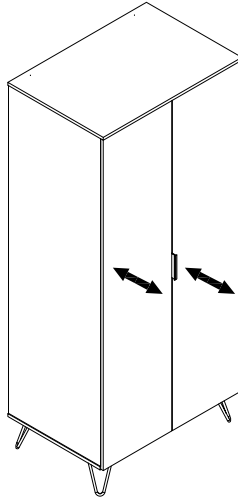
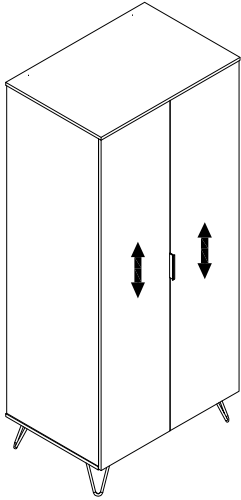
12



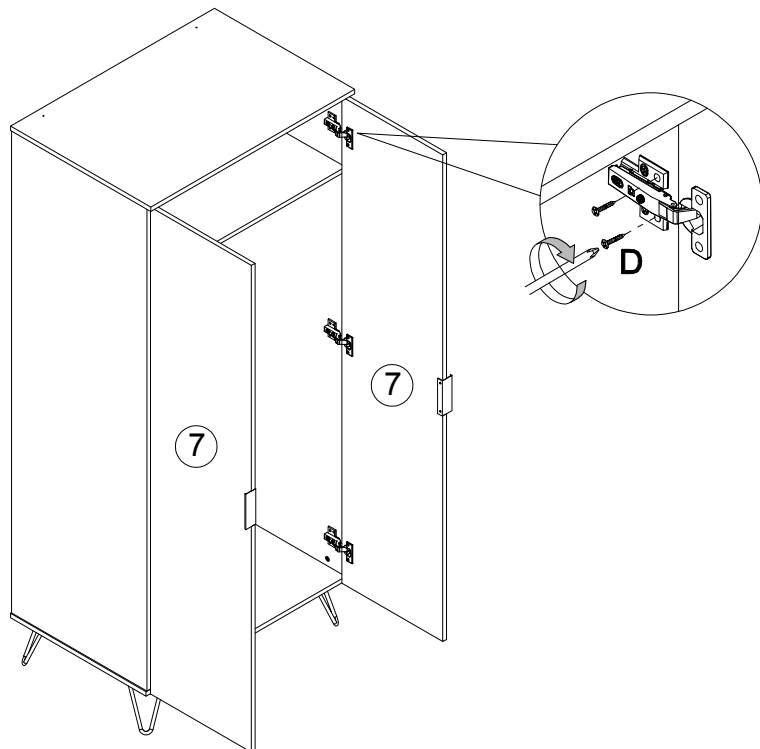
13



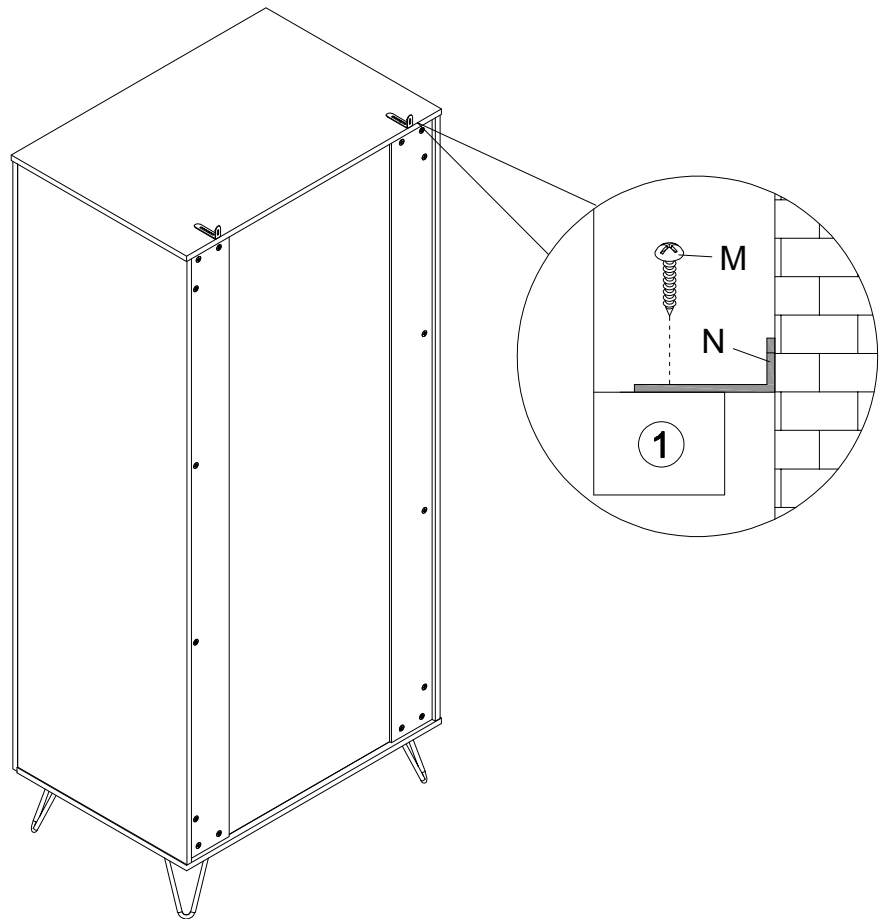
14



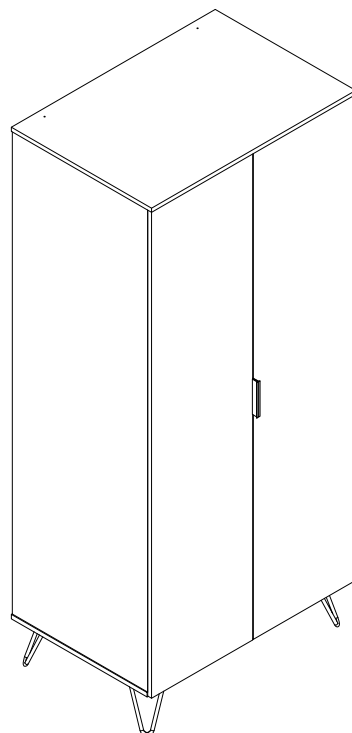
15



16



17



Use and Care Guide.

Whilst laminated is more durable than a lot of hard woods, it does not withstand staining and can be as prone to damage from moisture and heat as all other wooden materials . Take the same precautions in cleaning as you would for any type of wood.

Use and care

Use suitable coasters or mats if placing hot items on the surface. Avoid direct contact with hot mugs or appliances , solvents , alcohol ,nail polish and thinners

Cleaning

Clean spills immediately. Use a slightly damp cloth to spot clean (if needed) .Wipe dry immediately with a soft dry cloth .Avoid getting the lower parts such as legs of the furniture wet will absorb water and will swell up if water gets under surface.

WARNING!

FOR YOU & YOUR FAMILY'S SAFETY TO PREVENT OVERTURNING THIS PRODUCT MUST BE USED WITH THE WALL ATTACHMENT DEVICE PROVIDED

Serious or fatal crushing injuries can occur from furniture tipping over.

To help prevent topple over:

- Use the wall attachment device provided
- Never allow children to climb or hang on drawers, doors or shelves
- Place heaviest items in the lower drawers or shelves
- Unless specifically designed to accommodate, do not set TV's or other heavy objects on top of this product
- Never open more than one drawer at a time
- An attachment device is provided with your product, however you will need to source suitable fixings for your wall type. If in doubt, please consult a qualified tradesperson.
- Always ensure the wall to be drilled is free from hidden electrical wires, water and gas pipes.

Permanent safety label. Please do not remove