

Assembly Instructions

WARNING!!

Children have died from furniture tipover. Tip restraints have been included with this product; you must install the tip restraints according to these instructions in order to minimize the risk of furniture tipping. If you have any questions about this product or the tip restraint, please send us an email.

NEVER allow children to climb or hang on furniture, including drawers or cabinet doors.

In addition to installing the restrains, to help prevent tip-over

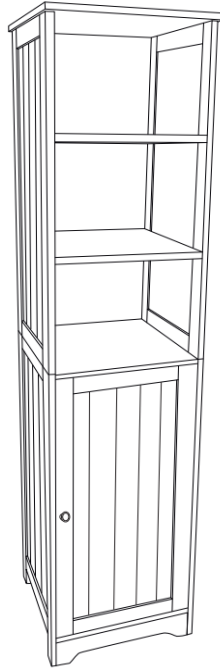
1. **NEVER** put a TV or other heavy objects on top of this product".
2. Do not stand on the product

⚠ WARNING	
	<p>Children have died from furniture tipover. To reduce the risk of furniture tipover:</p> <ul style="list-style-type: none">• ALWAYS install tipover restraint provided.• NEVER put a TV on this product.• NEVER allow children to stand, climb or hang on drawers, doors, or shelves.• NEVER open more than one drawer at a time.• Place heaviest items in the lowest drawers.• Do not defeat or remove the drawer interlock system.
	<p><i>This is a permanent label. Do not remove!</i></p>

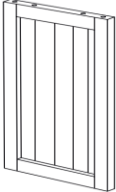
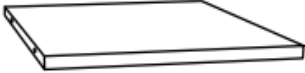
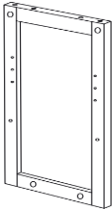

Caution : You must read this before you proceed

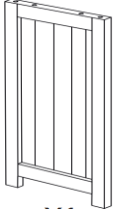
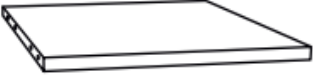
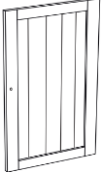


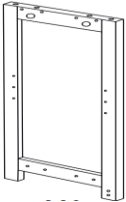
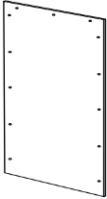


Please look in the velcro pouch for hardware packs and legs.



Cabinet






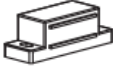





Parts List


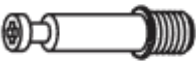

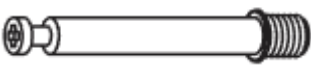




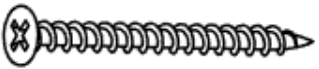

Label	Picture	Description	QTY
A		Upper Left Side Panel	1
B		Immovable Shelf Panel	1
C		Upper Right side Panel	1
D		Top Panel	1

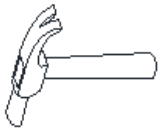
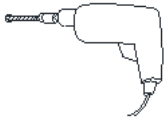
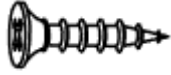


E		Lower Left Side Panel	1
F		Cabinet Top Panel	1
G		Door Panel	1
H		Bottom Panel	1
I		Bottom Base	1
J		Lower Right Side Panel	1
K		Upper Back Panel	1
L		Plastic Bar	1
M		Lower Back Panel	1

N		Upper Shelf Panel	1
O		Cabinet Shelf Panel	1

Hardware

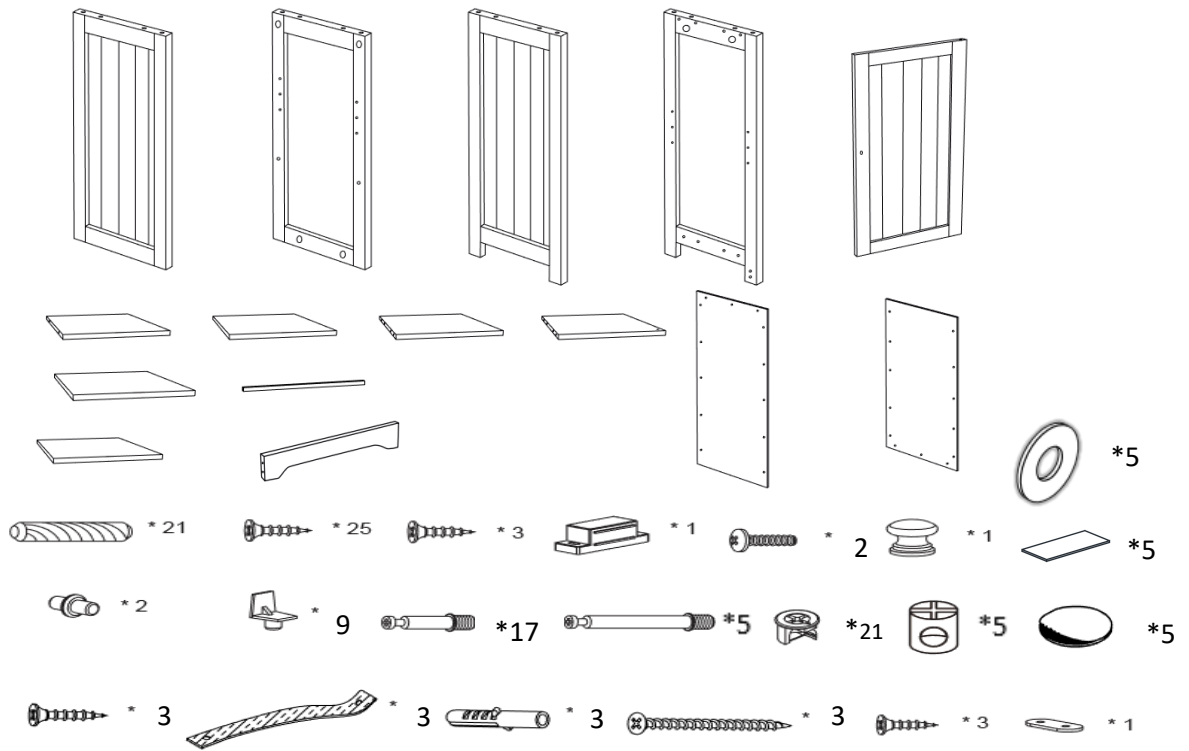
Label	Picture	Description	QTY
①		Dowel (6X30mm)	21
②		Screw (M2.5x10mm)	25
③		Screw (M3x14mm)	3
④		Magnet	1
⑤		Screw (M4x16mm)	2
⑥		Door Knob	1
⑦		Screw (M3x12mm)	3
⑧		Magnetic Bar	1
⑨		Iron Shaft	2

⑩		Shelf Support	9
⑪		Cam Bolt (M6X35mm)	17
⑫		Cam Nut (M9X15mm)	21
⑬		Cam Bolt (M6X40mm)	5
⑭		Cam Lock (M10X10mm)	5
⑮		Screwdriver (Not Provided)	1
⑯		Pad	5
⑰		Cover	5
Restraint Device Hardware			
⑱		Screw (M4x40mm)	3
⑲		Wall Anchor	3

⑳		Hammer (Not Provided)	1
㉑		Power Drill (Not Provided)	1
㉒		Screw (M3x14mm)	3
㉓		Restraint Strap	2
㉔		Metal Gasket	5

Assembly Preparation

Before Beginning Assembly:



- Read instructions, cover to cover-



- Have 2 adults on hand for assembly-



- Do not assemble on flooring or carpet-



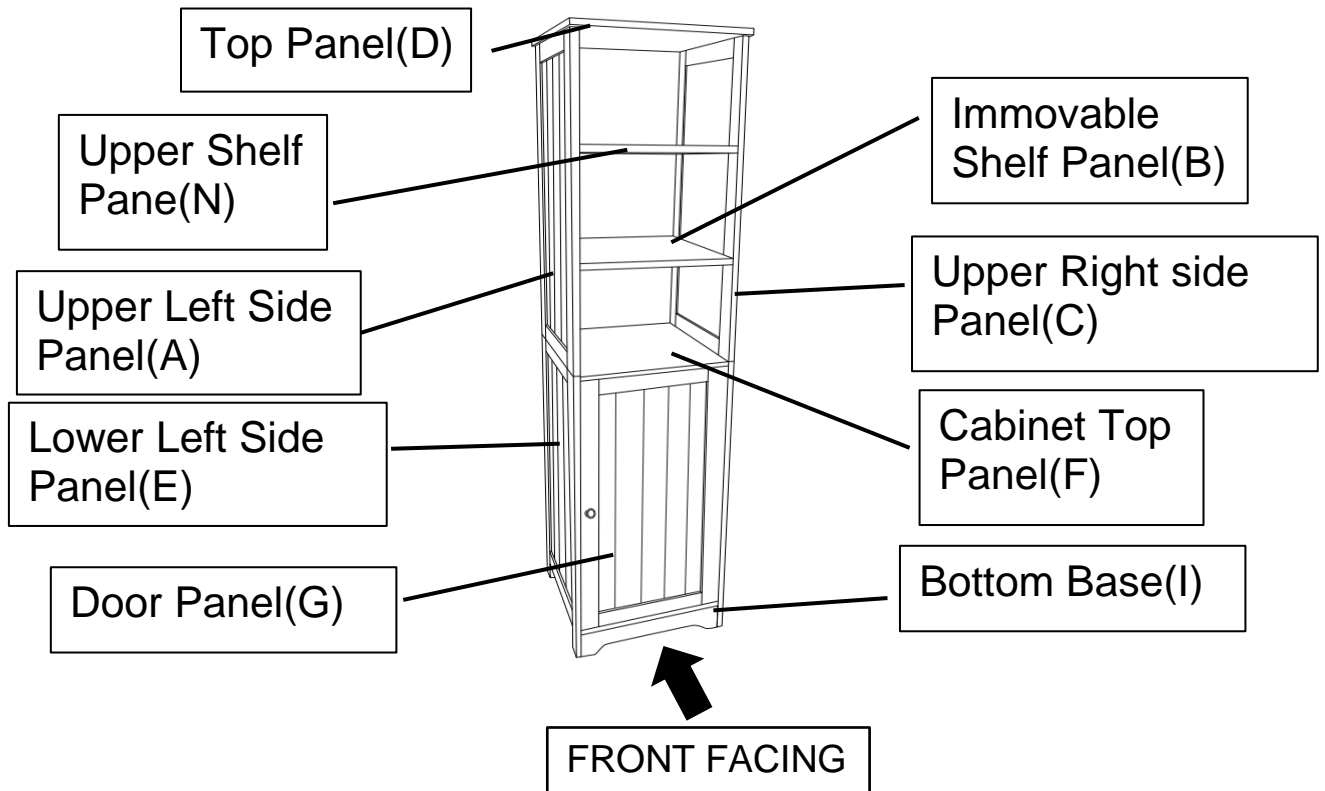
- Assemble on a clean non-marring surface (packing foam)-



- Save all packaging until finished-

Assembly Steps

Overview

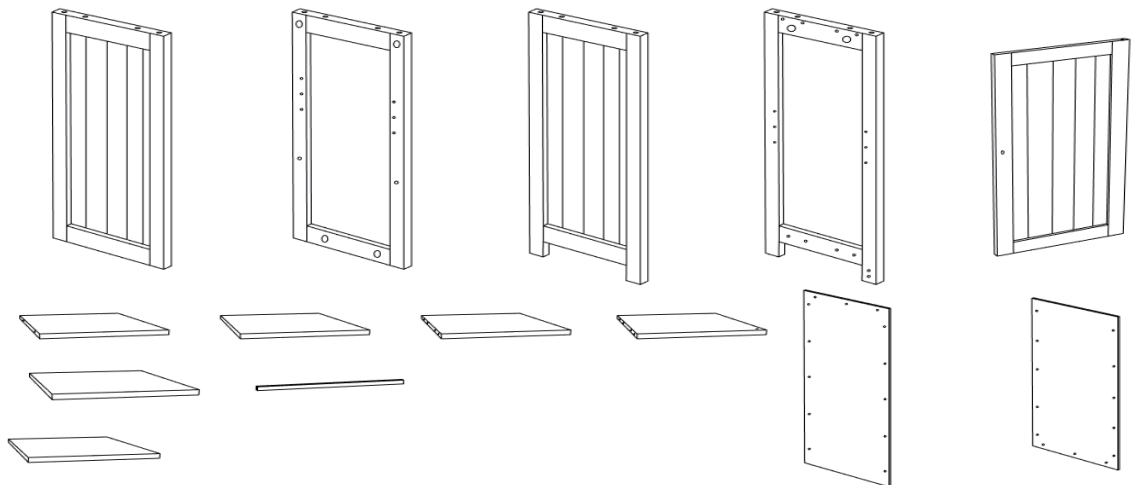


This Cabinet has multiple parts and may require up to 30 minutes to assemble.

To give you an overview of the Cabinet parts, the above picture is to help you put the various parts into perspective.

Please read through the instructions below to familiarise yourself with the parts and steps before assembly.

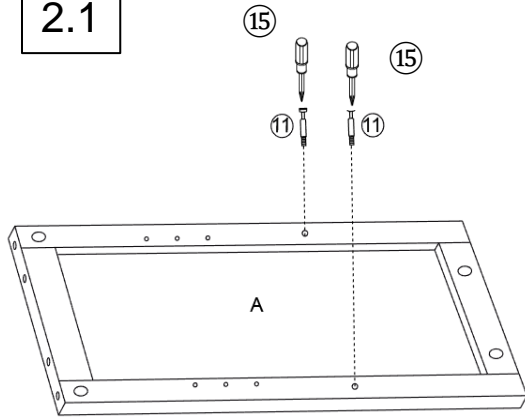
Step 1



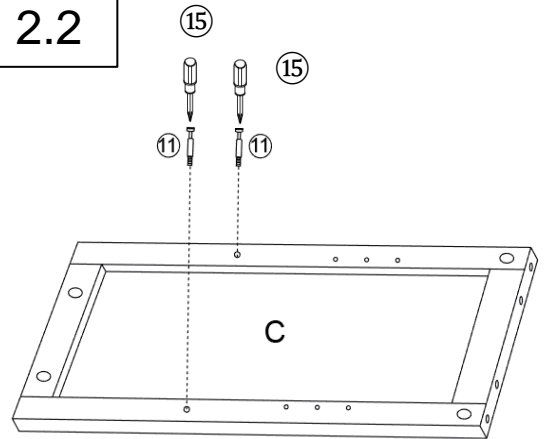
Unpack and place all parts on a clean, non-marring surface.

Step 2

2.1



2.2

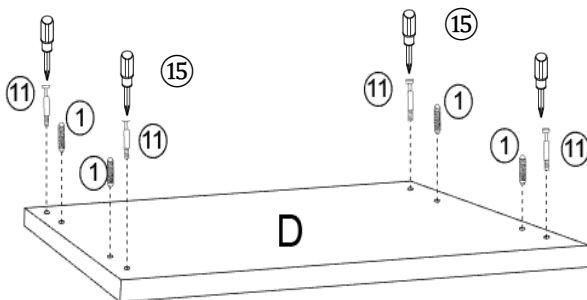


2.1) Attach Cam Bolt(11) to the Upper Left Side Panel(A) Using Screwdriver(15) as shown.

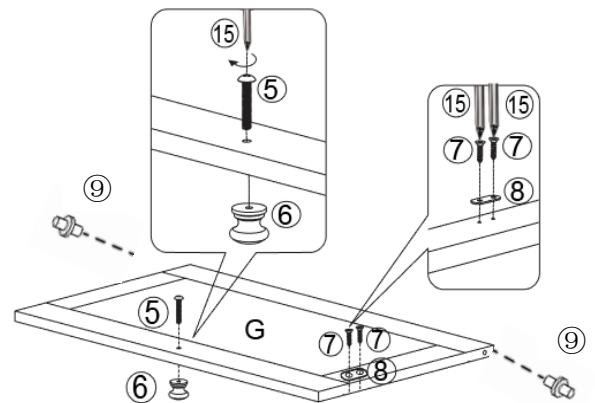
2.2) Attach Cam Bolt(11) to Right Side Panel(C) Using Screwdriver(15) as shown.

Step 3

3.1



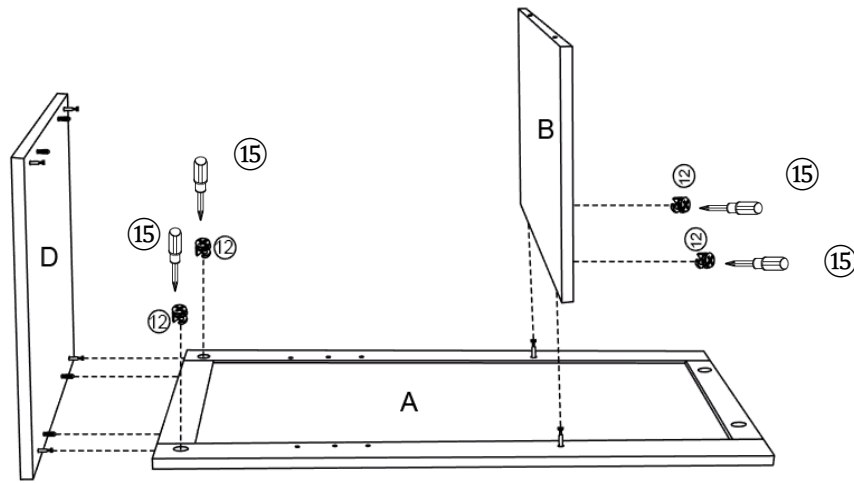
3.2



3.1) Attach Cam Bolt(11) to Top Panel(D) Using Screwdriver(15) as shown. Insert Dowel(1) into the mounting positions on Top Panel(D).

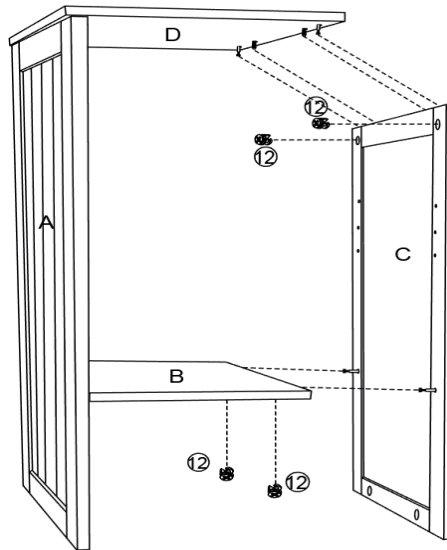
3.2) Attach Magnetic Bar(8) to the Door Panel(G) Using Screw(7) with Screwdriver(15) as shown. Attach Door Knob(6) to the Door Panel(G) Using Screw(5) with Screwdriver(15). Attach Iron Shaft(9) to the mounting positions on Door Panel(G) as shown.

Step 4



Attach Upper Left Side Panel(A) to the Cam Bolt and Dowel on Top Panel(D), then insert the Cam Nut(12) into the mounting positions Upper Left Side Panel(A), lock by Cam Nut(12) with Screwdriver(15). Attach Immovable Shelf Panel(B) to the Cam Bolt on Upper Left Side Panel(A), lock by Cam Nut(12) with Screwdriver(15).

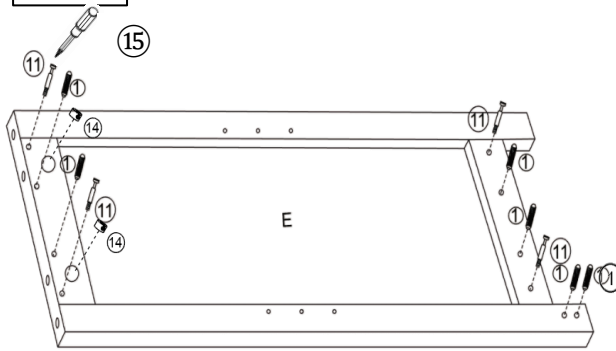
Step 5



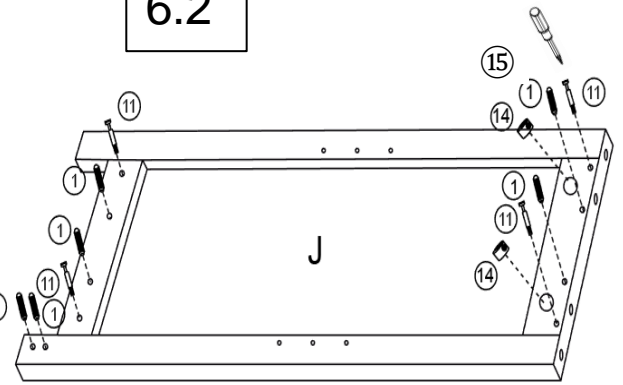
Attach Upper Right Side Panel(C) to the Top Panel(D) and Immovable Shelf Panel(B), lock by Cam Nut(12) with Screwdriver(15).

Step 6

6.1



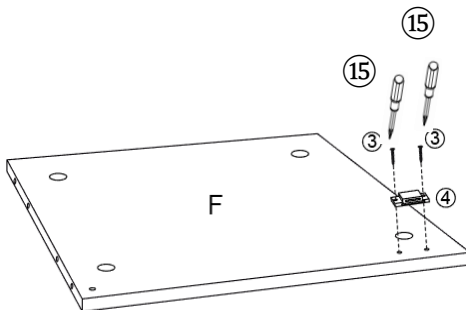
6.2



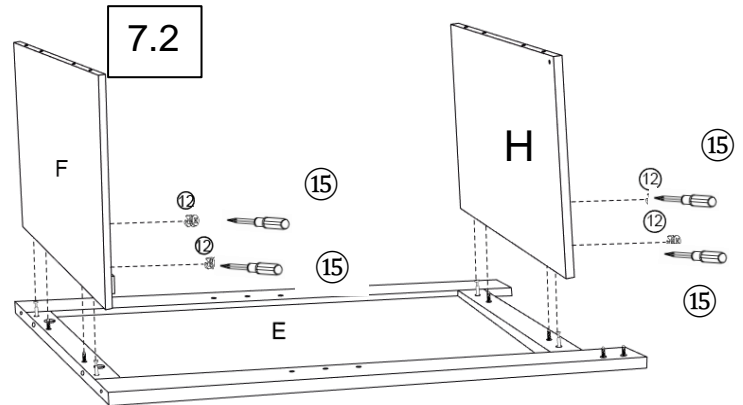
- 6.1) Insert Dowel(①) into the mounting positions on Lower Left Side Panel(E), attach Cam Bolt(⑪) to the Lower Left Side Panel(E) using Screwdriver(⑮). Insert Cam Lock(⑭) into the mounting positions on Lower Left Side Panel(E).
- 6.2) Insert Dowel(①) into the mounting positions on Lower Right Side Panel(J), attach Cam Bolt(⑪) to the Lower Right Side Panel(J) using Screwdriver(⑮). Insert Cam Lock(⑭) into the mounting positions on Lower Right Side Panel(J) .

Step 7

7.1

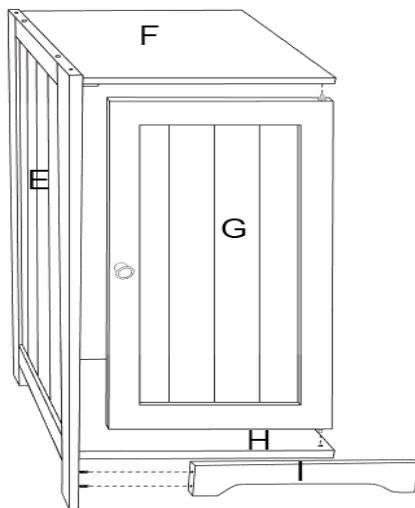


7.2



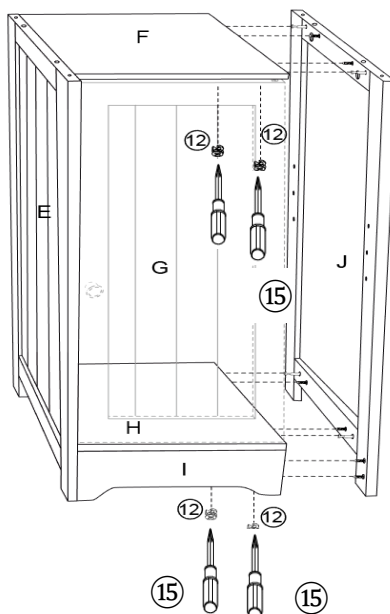
- 7.1) Attach Magnet(④) to the Cabinet Top Panel(F) using Screw(③) with Screwdriver(⑮).
- 7.2) Attach Cabinet Top Panel(F) and Bottom Panel(H) to the Lower Left Side Panel(E), lock by Cam Nut(⑫) with Screwdriver(⑮).

Step 8



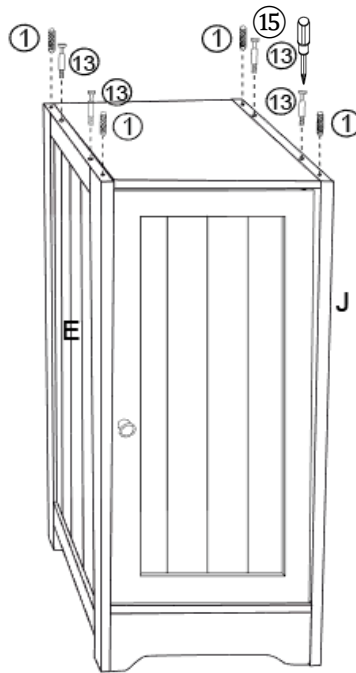
Insert Iron Shaft on the Door Panel(G) into the mounting positions on Cabinet Top Panel(F) and Bottom Panel(H), then attach Bottom Base(I) to the dowel on Lower Left Side Panel(E).

Step 9



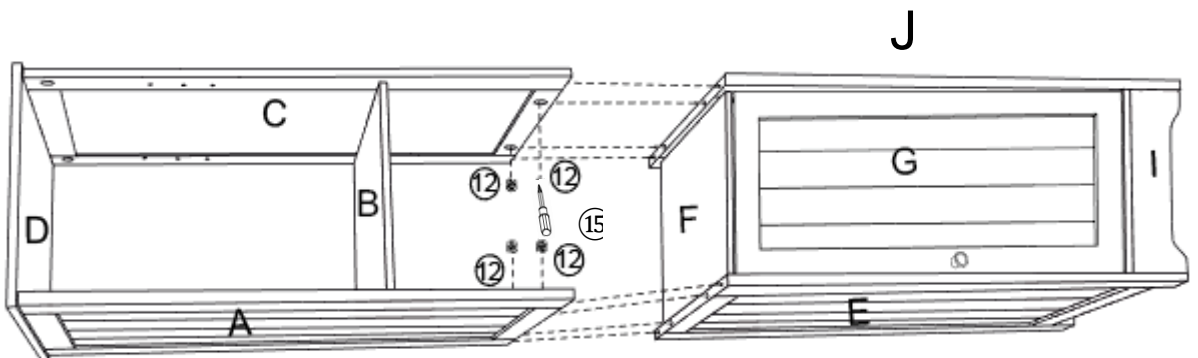
Attach Lower Right Side Panel(J) to the mounting positions on Cabinet Top Panel(F) and Bottom Panel(H), then open the Door Panel(G), insert Cam Nut(12) into the mounting positions on Cabinet Top Panel(F) and Bottom Panel(H), lock by turning Screwdriver(15).

Step10



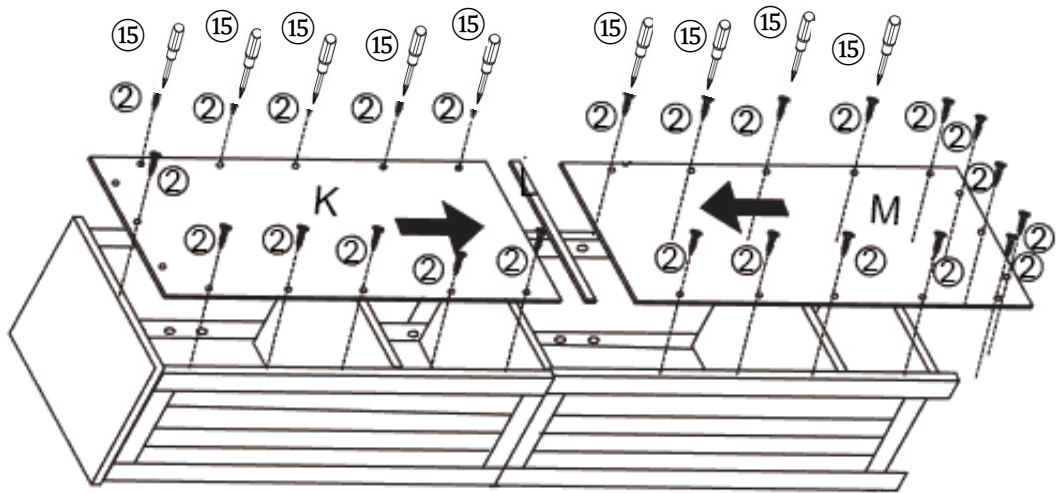
Insert Dowel(①) into Lower Right Side Panel(J) and Lower Left Side Panel(E) as shown, attach Cam Bolt(⑬) to the Lower Right Side Panel(J) and Lower Left Side Panel(E), lock by turning Screwdriver(⑮).

Step11



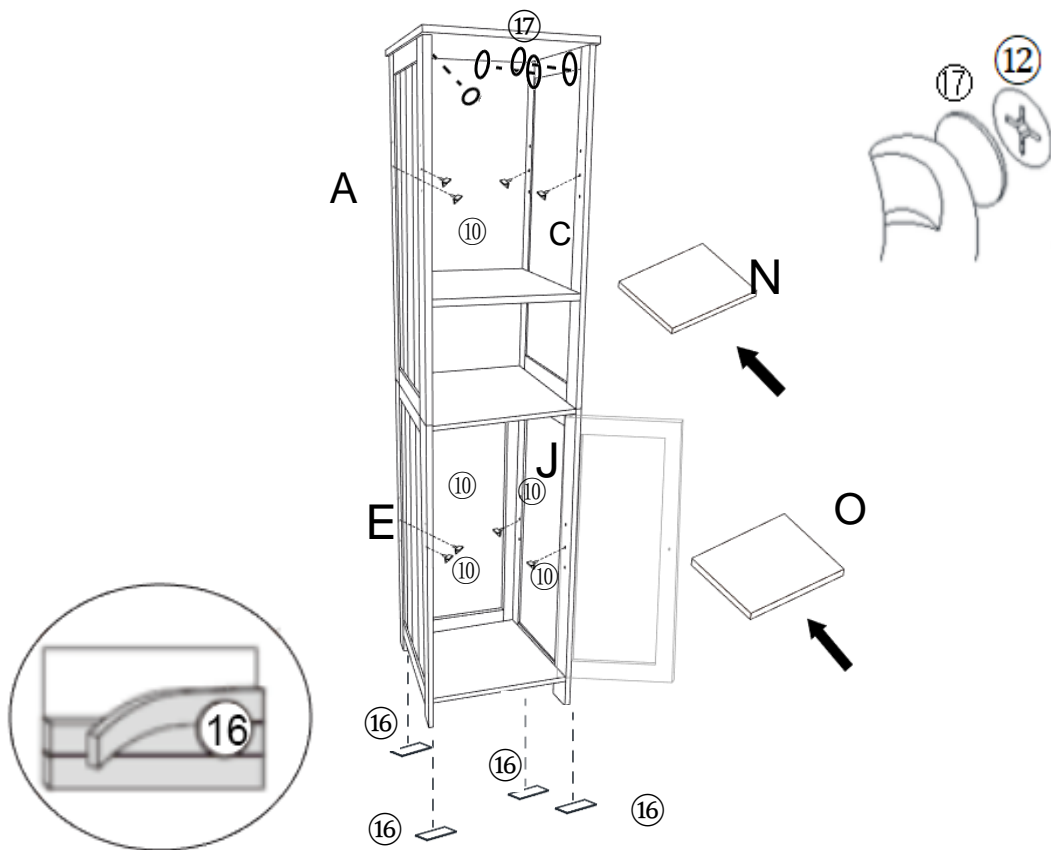
Attach Upper Left Side Panel(A) and Upper Right Side Panel(C) to the Cam Bolt and Dowel on Lower Right Side Panel(J) and Lower Left Side Panel(E), locked by Cam Nut(⑫) with Screwdriver(⑮) as shown.

Step12



Attach Upper Back Panel(K), Plastic Bar(L) and Lower Back Panel(M) to the back of Cabinet using Screw(②) with Screwdriver(⑮).

Step13



Insert Shelf Support(⑩) into the mounting positions inside of Upper Left Side Panel(A), Upper Right Side Panel(C), Lower Left Side Panel(E) and Lower Right Side Panel(J), Place Upper Shelf Panel(N) onto the Shelf Support(⑩) on Upper Left Side Panel(A) and Upper Right Side Panel(C).Place Cabinet Shelf Panel(O) onto the Shelf Support(⑩) on Lower Left Side Panel(E) and Lower Right Side Panel(J).

Peel a Pad(⑯) off the backing and apply it squarely to a leg as shown in the picture.Repeat this step with the remaining three feet.

Use Cover(⑰) to cover the mounting position of Cam Nut(⑫) on Left Side Panel(A) and Upper Right Side Panel(C).

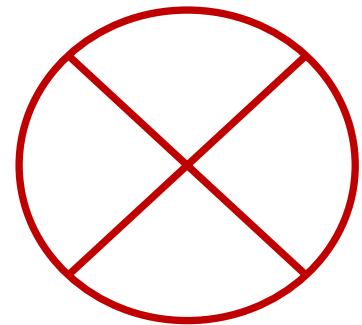


WARNING

Serious or fatal crushing injuries can occur from tipping furniture.

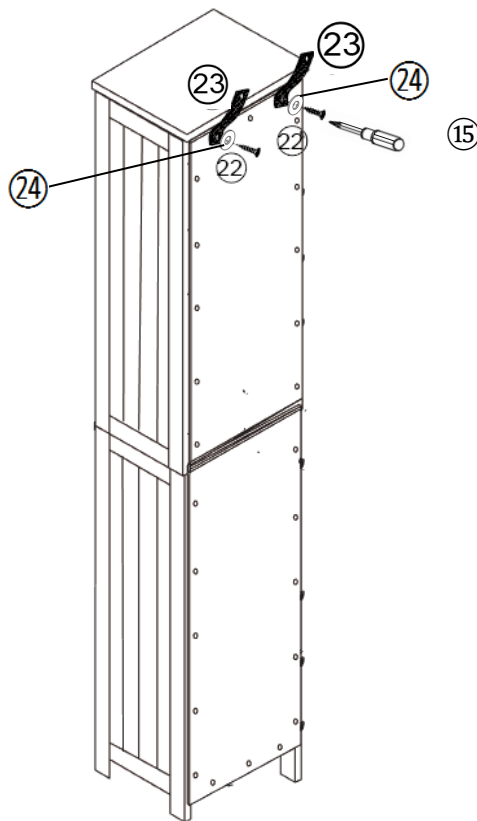
To help prevent tip-over: ALWAYS secure this furniture to the wall using Cabinet Restraint Device.

See product instructions for more ways to help prevent furniture tip-over.



Usage For Cabinet Restraint Device:

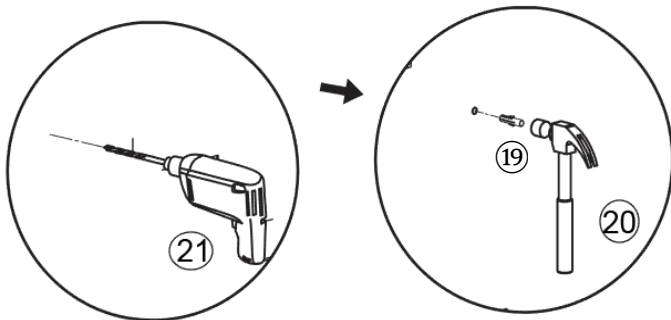
Step 14



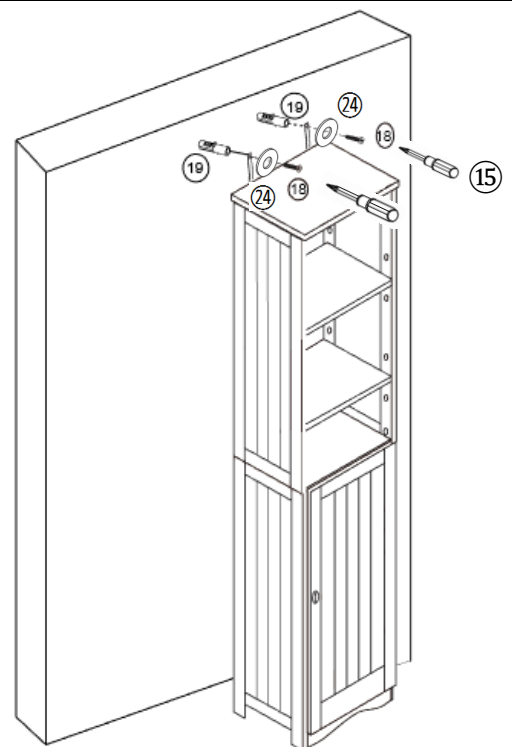
Attach Restraint Strap(23) to the Upper Back Panel(K) using Screw(22) and Metal Gasket(24) with Screwdriver(15).

Step 15

15.1














15.2



15.1) Drill two mounting positions on the wall with Power Drill(21), insert Wall Anchor(19) into drilled mounting positions on the wall with Hammer(20)
15.2) Move the cabinet back to the wall, lock by Screw(18) and Metal Gaskets(24)with Screwdriver(15).

Care & Maintenance

-  Furniture may scratch floors. We recommend using furniture pads to protect your floors.
-  Do not put hot items directly on furniture surface.
-  Do not clean furniture with harsh cleansers or polish.
-  Do not place furniture under direct sunlight.
-  Do not place furniture near heating or cooling vents.
-  Do not write on furniture without a padded barrier to protect the surface.
-  Do not place furniture outside . For indoor use only.
-  Not for commercial use. For residential use only.
-  Stains may be removed with mild soap solution and damp cloth.
-  Children should not climb or jump on the furniture.
-  Dust and pick-up spills using a clean, non-colored, lint-free cloth.