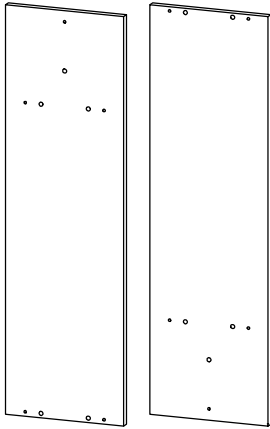
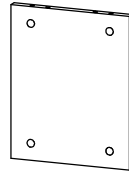


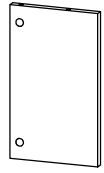
Ax2



Bx5



Cx12



Dx6



Ex60



Fx60



Gx60



Hx6



Ix7



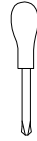
Jx1



Kx1



Lx1



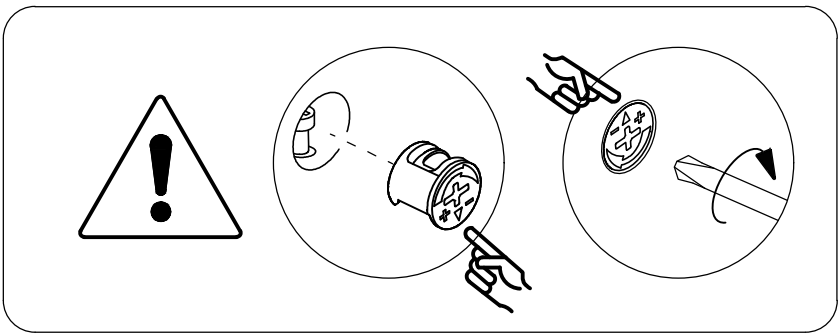
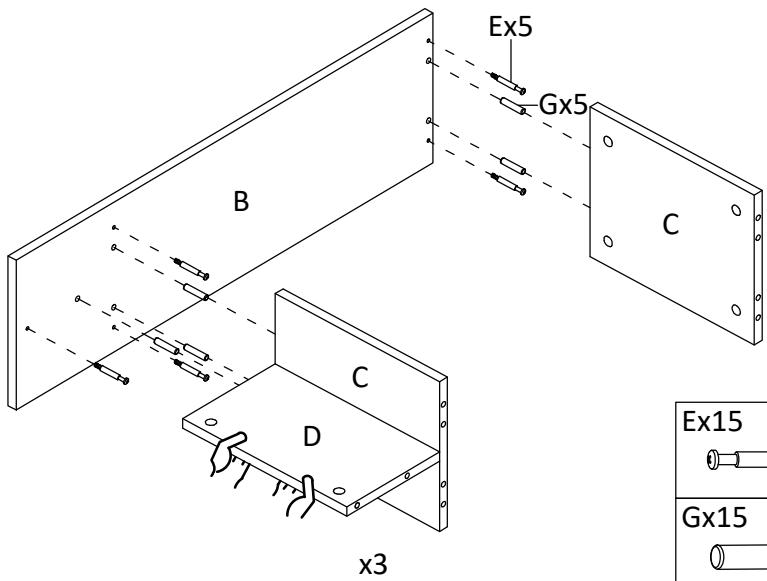
mm
inch

x2

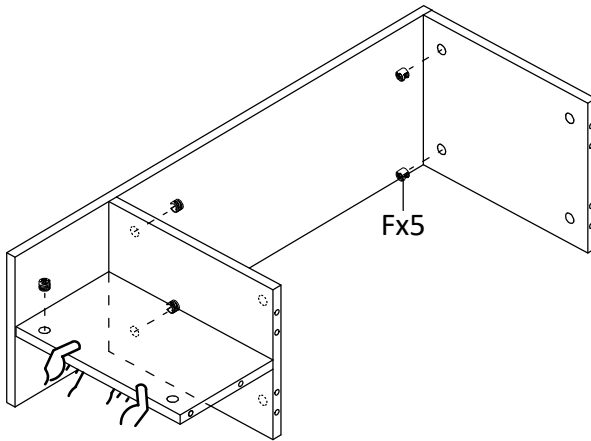


€ 5€

1



2

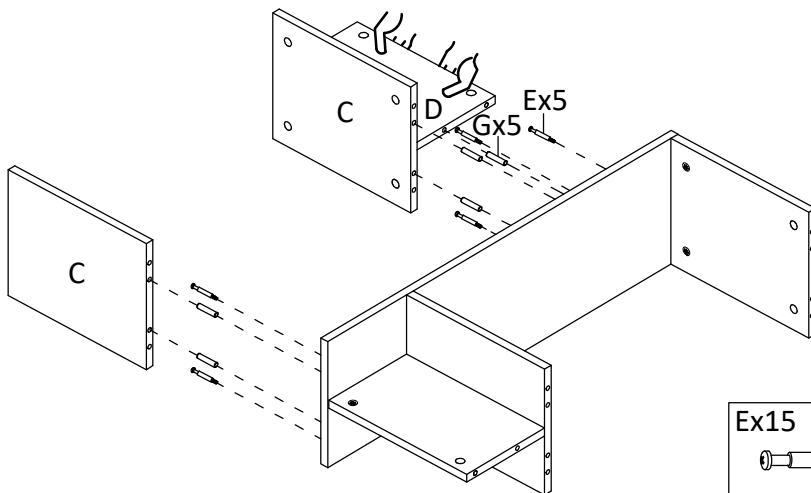


x3

Fx15

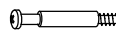


3



x3

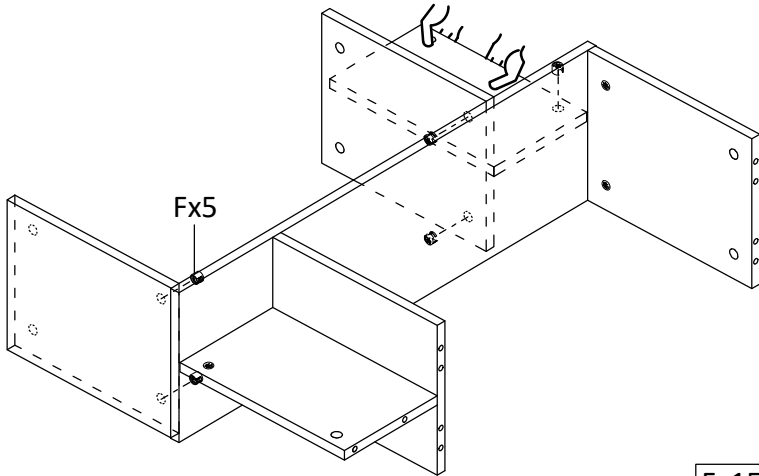
Ex15



Gx15



4



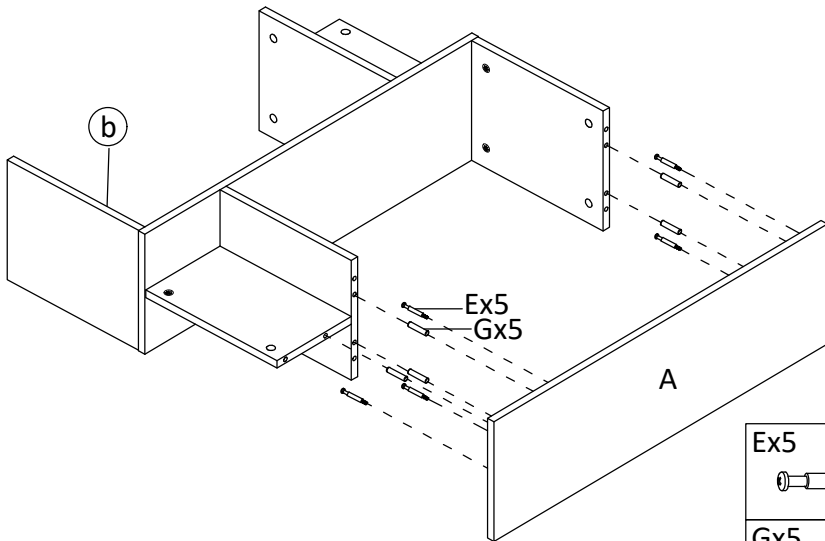
Fx5

(b) x3

Fx15



5

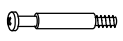


(b)

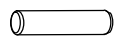
Ex5
Gx5

A

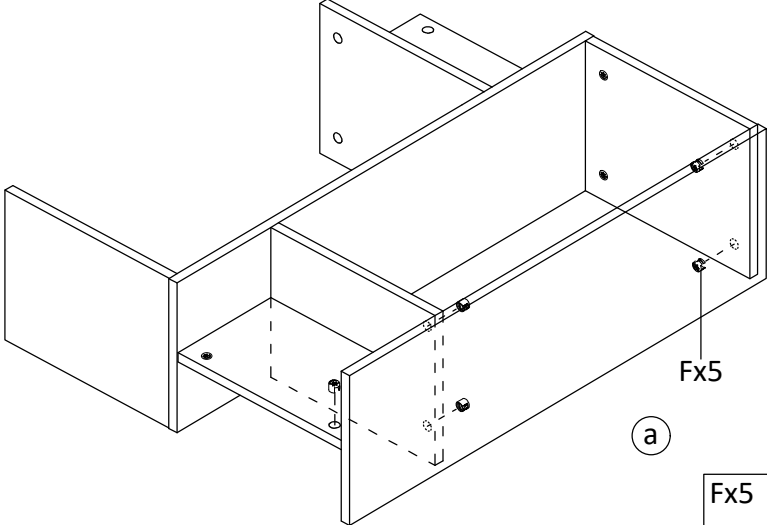
Ex5



Gx5



6



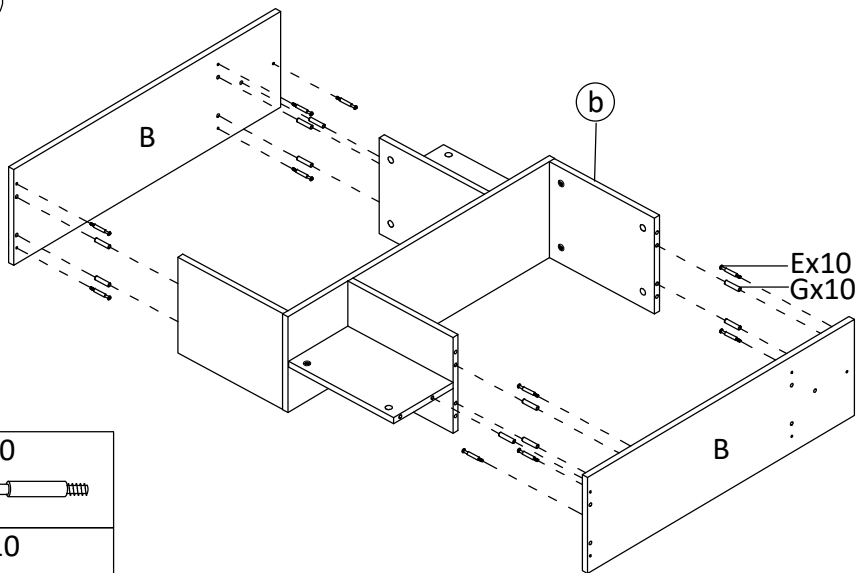
Fx5

a

Fx5



7



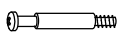
B

b

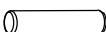
Ex10
Gx10

B

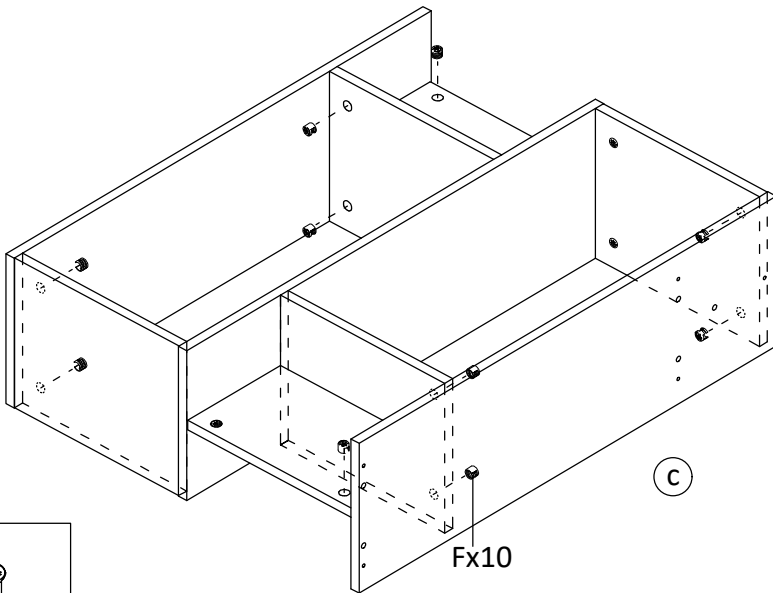
Ex10



Gx10



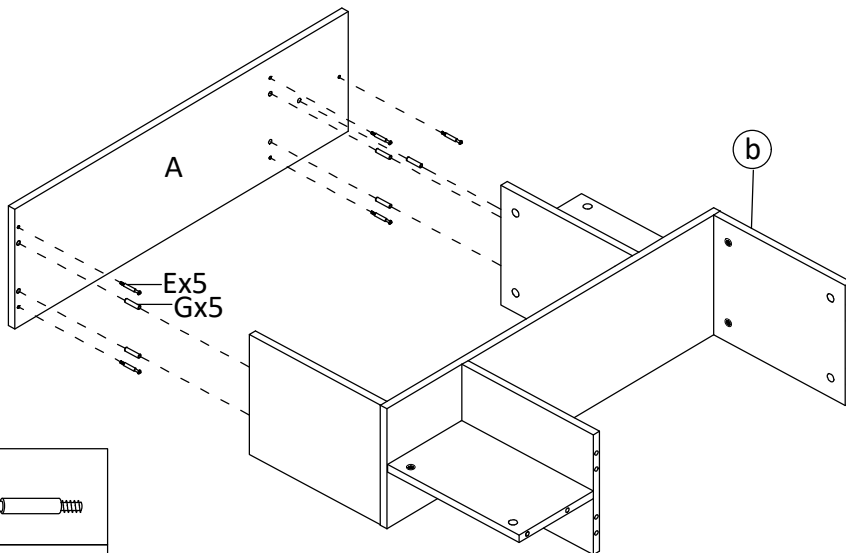
8



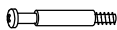
Fx10



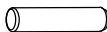
9



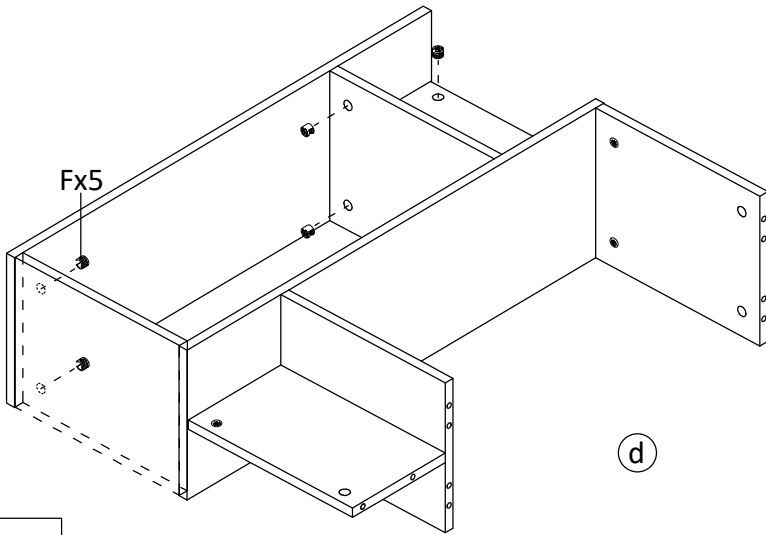
Ex5



Gx5



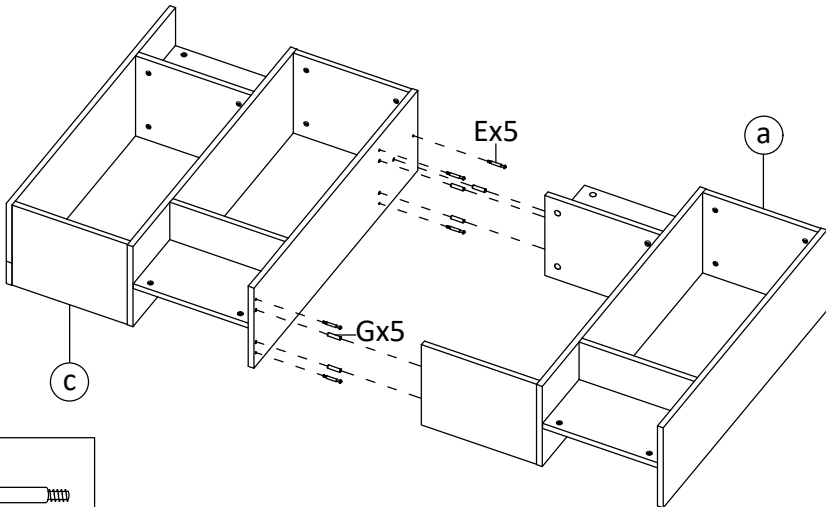
10



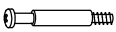
Fx5



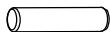
11



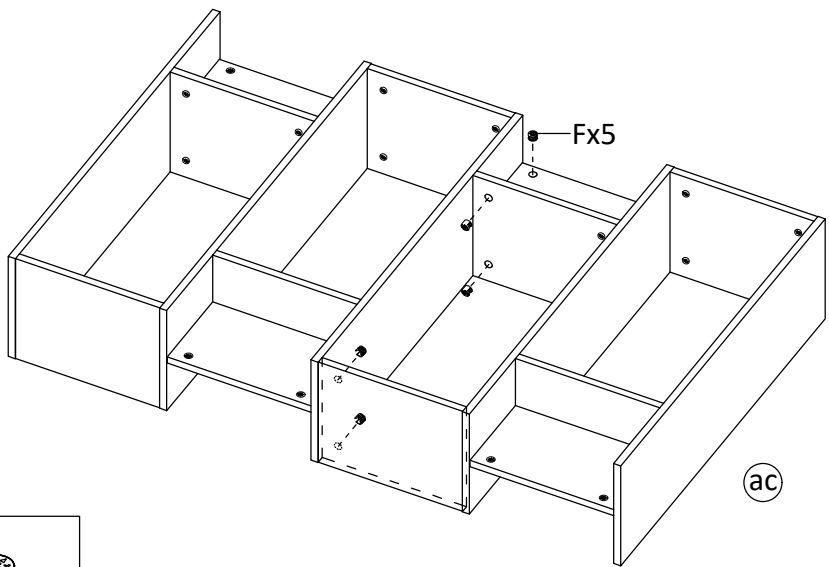
Ex5



Gx5



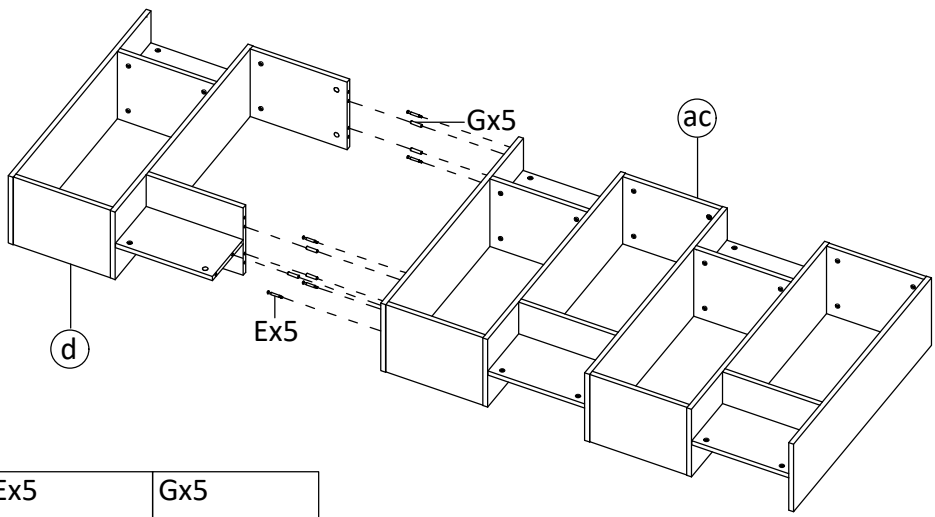
12



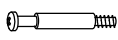
Fx5



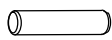
13



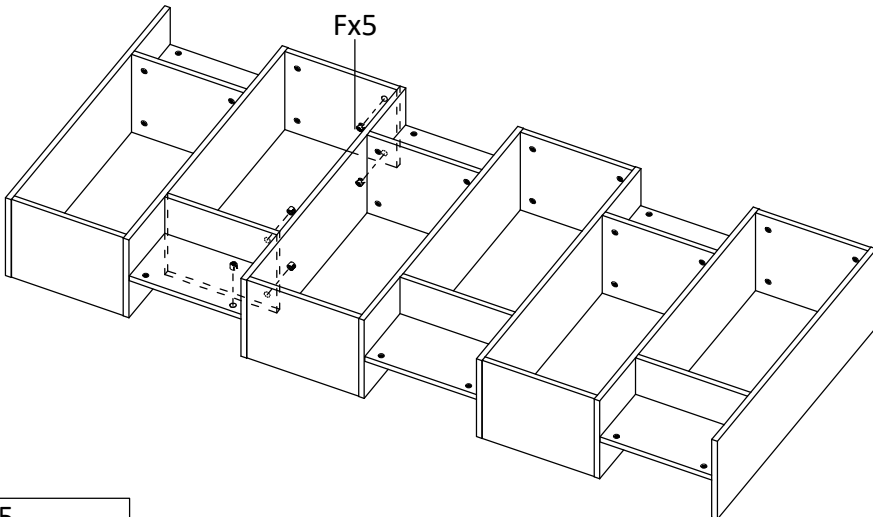
Ex5



Gx5



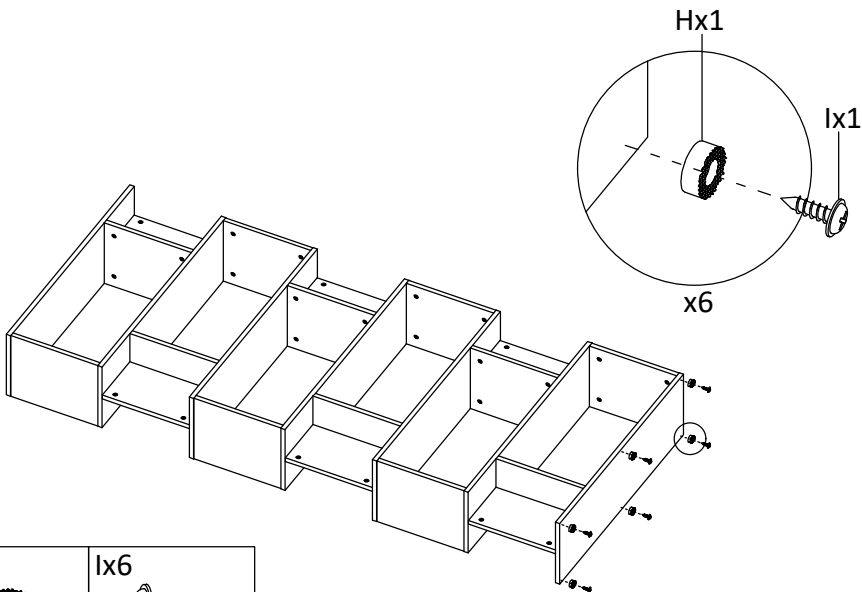
14



Fx5



15



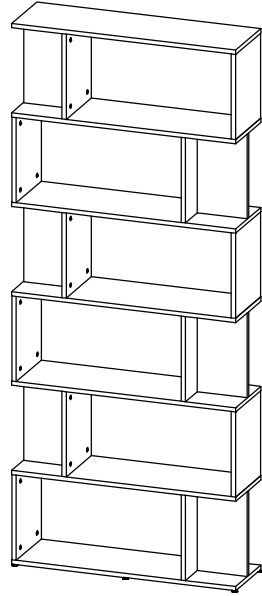
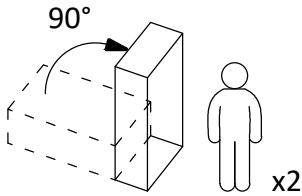
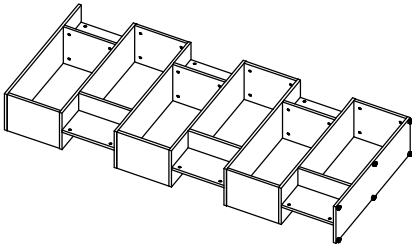
Hx6



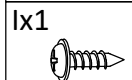
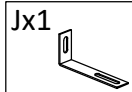
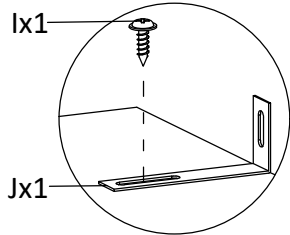
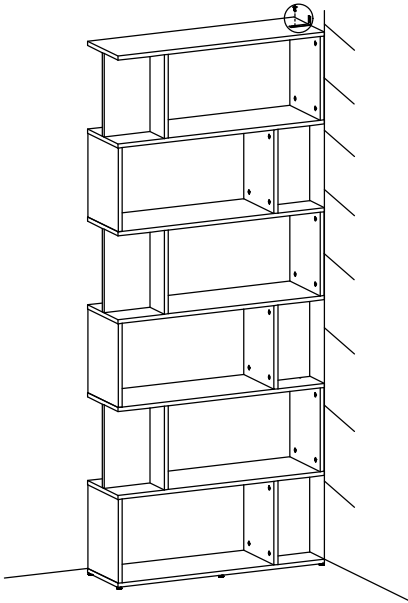
Ix6



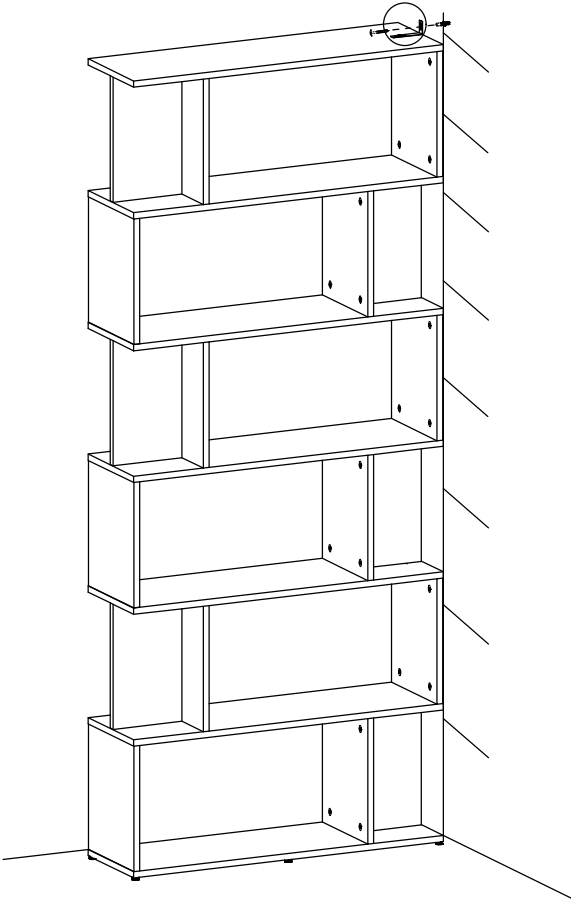
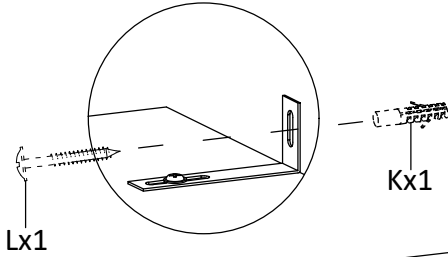
16




17



18



<p>Lx1</p> 
<p>Kx1</p> 