

# Assembly Instructions

Caution: You must read this before you proceed

## Care & Maintenance



- Not for commercial use. For residential use only.



- Furniture may scratch floors. We recommend using furniture pads to protect your floors.



- Do not put hot items directly on furniture surface.



- Do not clean furniture with harsh cleansers or polish.



- Do not place furniture under direct sunlight.



- Do not place furniture near heating or cooling vents.



- Do not write on furniture without a padded barrier to protect the surface.



- Do not place furniture outside . For indoor use only.



- Stains may be removed with mild soap solution and damp cloth.



- Children should not climb or jump on the furniture.

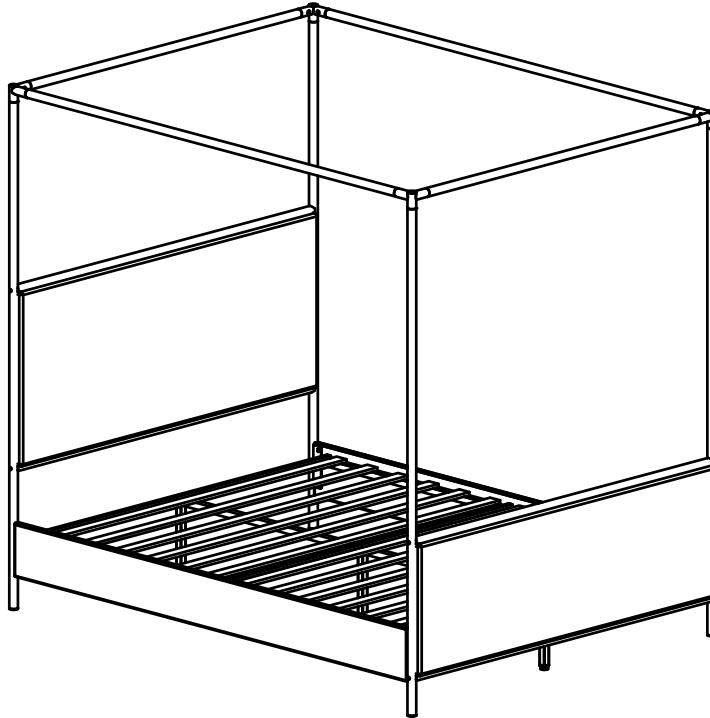


- Dust and pick-up spills using a clean, non-colored, lint-free cloth.

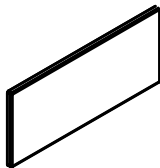
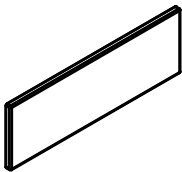
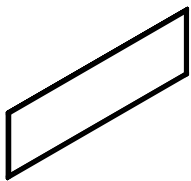
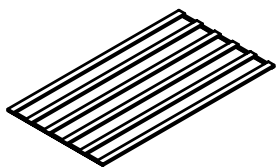
Please look in the box for hardware packs and legs.

Sets often ship in multiple boxes and may arrive a day or two apart.

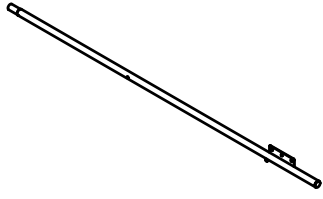
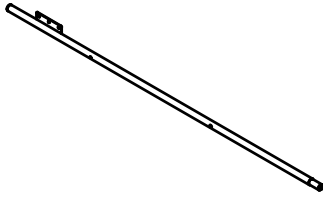
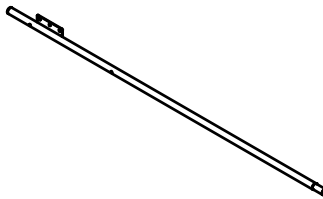
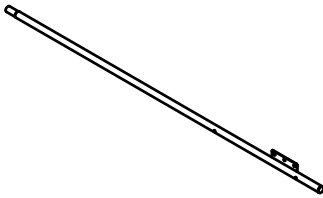
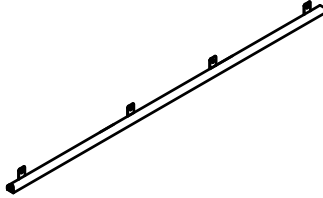
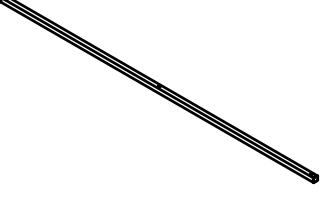
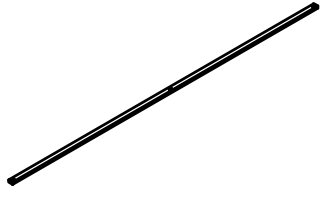

# Bed

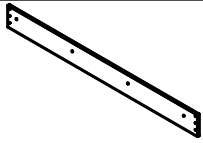
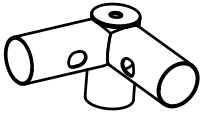
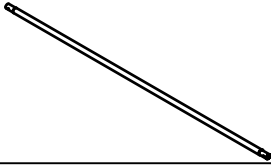
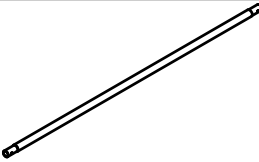



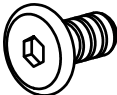
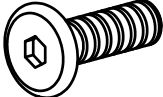
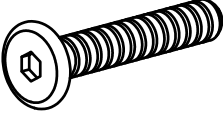

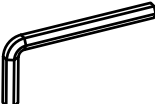
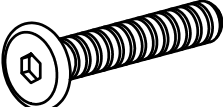
## Part List

Label	Picture	Description	QTY
13		Headboard	1
14		Footboard	1
15		Inner cloth of Footboard	1
16		Bad slats	2

# Part List

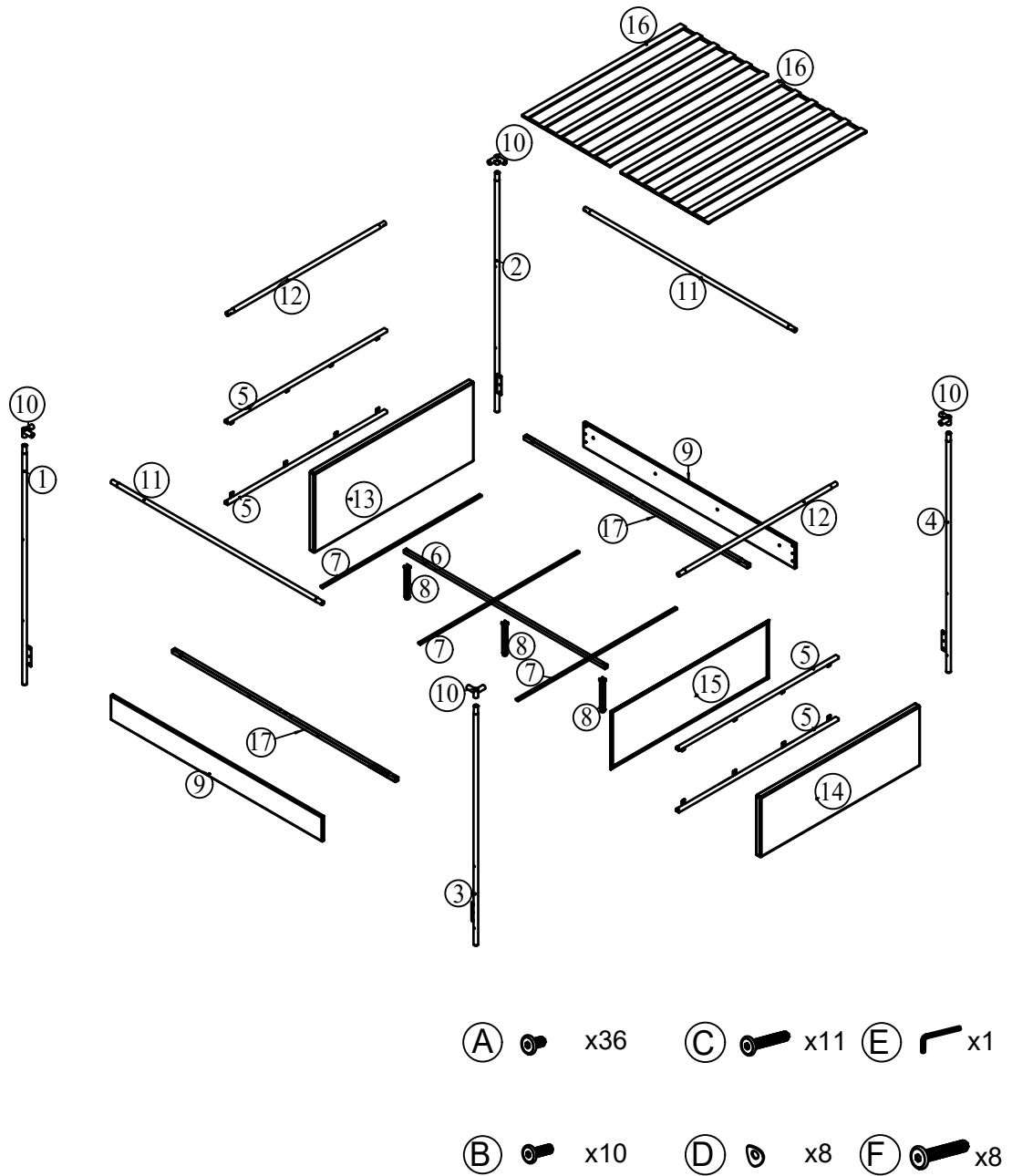
Label	Picture	Description	QTY
1		Left pillar at the head of the bed	1
2		Right pillar at the head of the bed	1
3		Left pillar at the end of the bed	1
4		Right pillar at the end of the bed	1
5		Bed head horizontal tube	4
6		Center support bar	1
7		Mid horizontal bar	3
8		Middle support leg	3

Part List			
Label	Picture	Description	QTY
9		Side rail	2
10		Three-way Pipe Connector	4
11		Long tube	2
12		Short pipe	2
17		Side rail pipe	2

<u>Hardware</u>			
Label	Picture	Description	QTY
A		Bolts (M8x15mm)	36+2
B		Bolts (M8x25mm)	10+1
C		Bolts (M8x45mm)	11+1
D		Washer	8+1
E		Allen Wrench	1
F		Bolts (M8x40mm)	8

# Assembly Preparation

Before Beginning Assembly:



Read instructions, cover to cover

Have 2 adults on hand for assembly

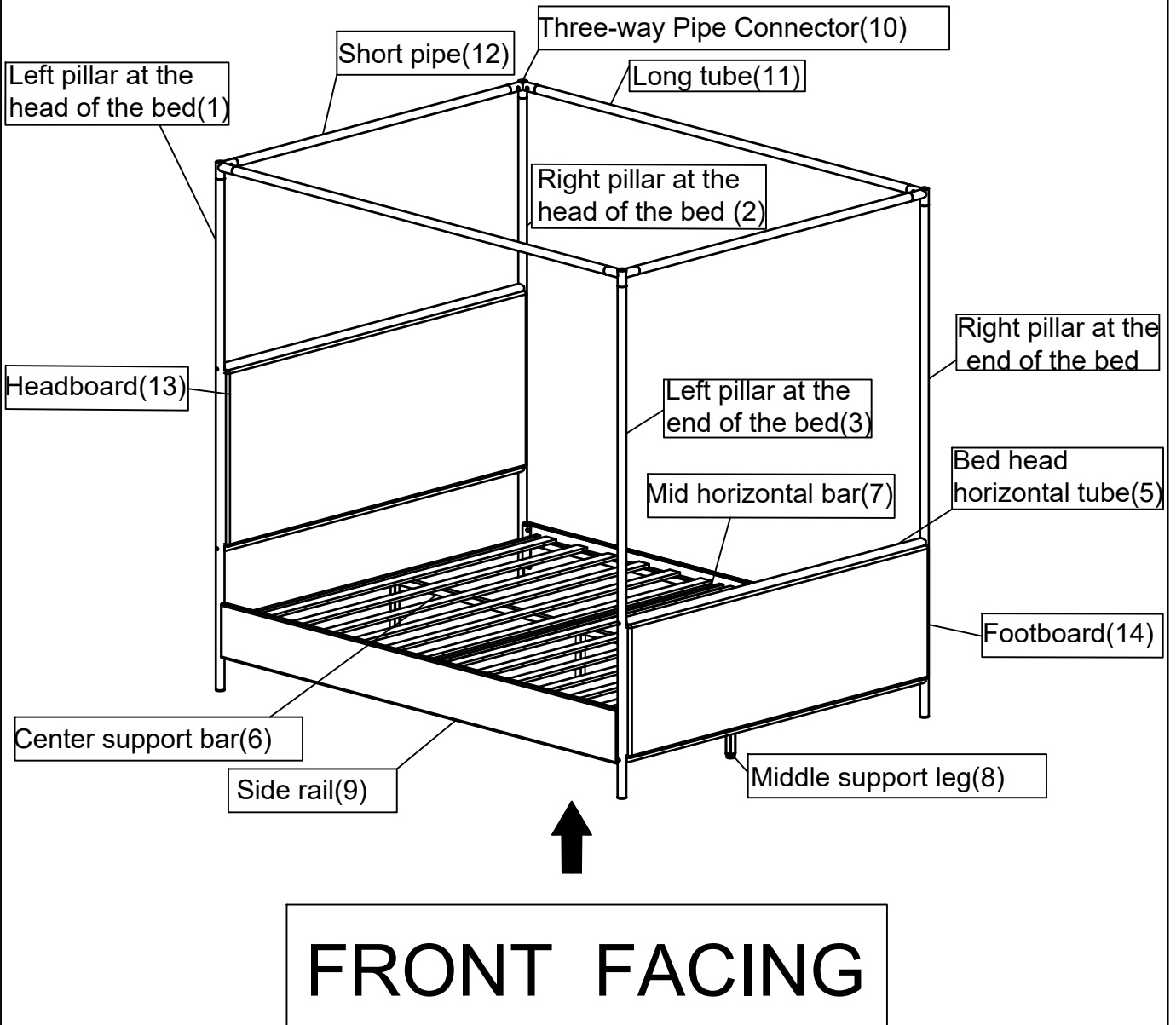
Do not assemble on flooring or carpet-

Assemble on a clean non-marring surface (packing foam)

Save all packaging until finished-

# Assembly Steps

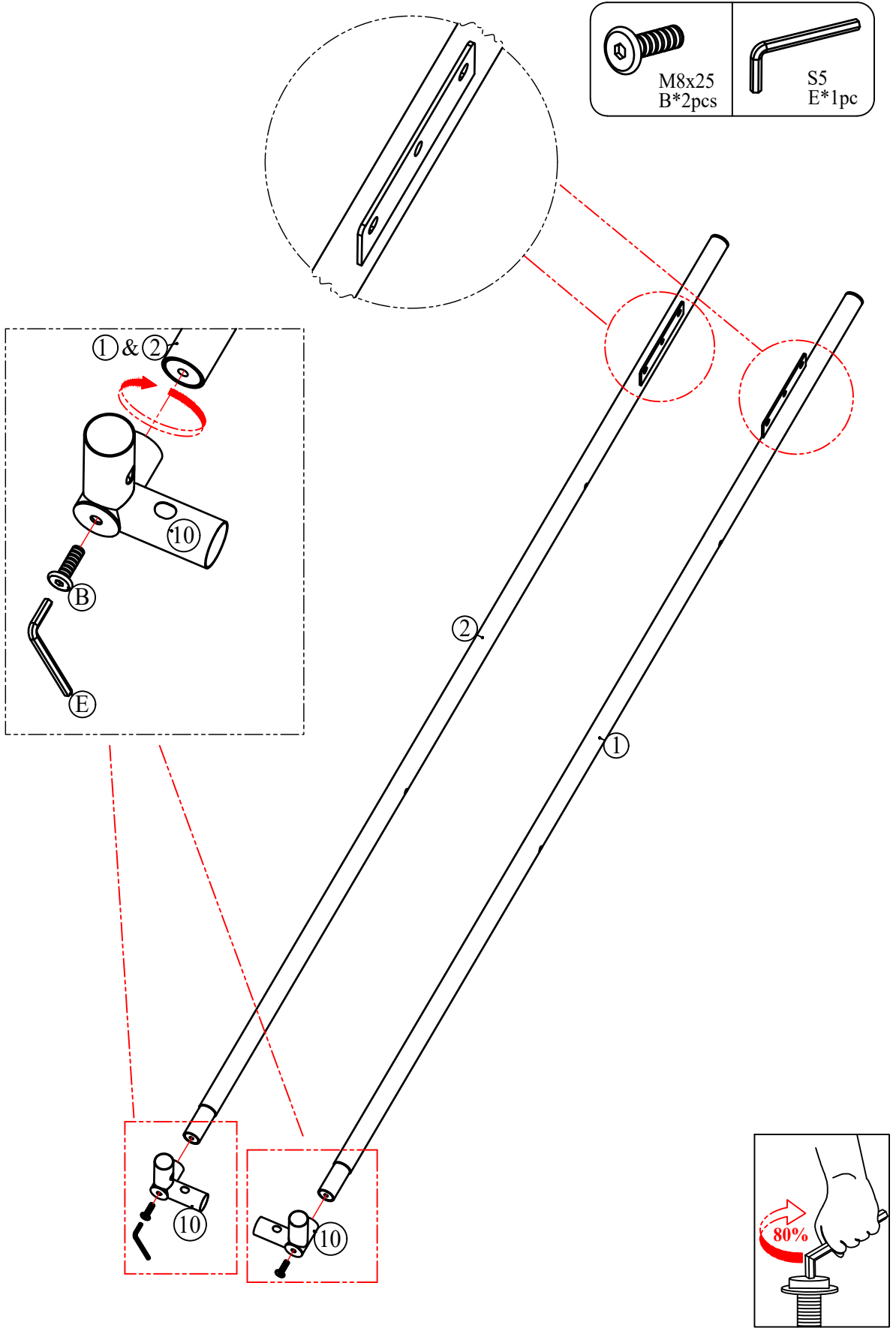
## OVERVIEW



This Bed have multiple parts and may require up to 45 minutes to assemble. To give you an overview of the Bed parts, the above picture is to help you put the various parts into perspective. Please read through the instructions below to familiarise yourself with the parts and steps before assembly.

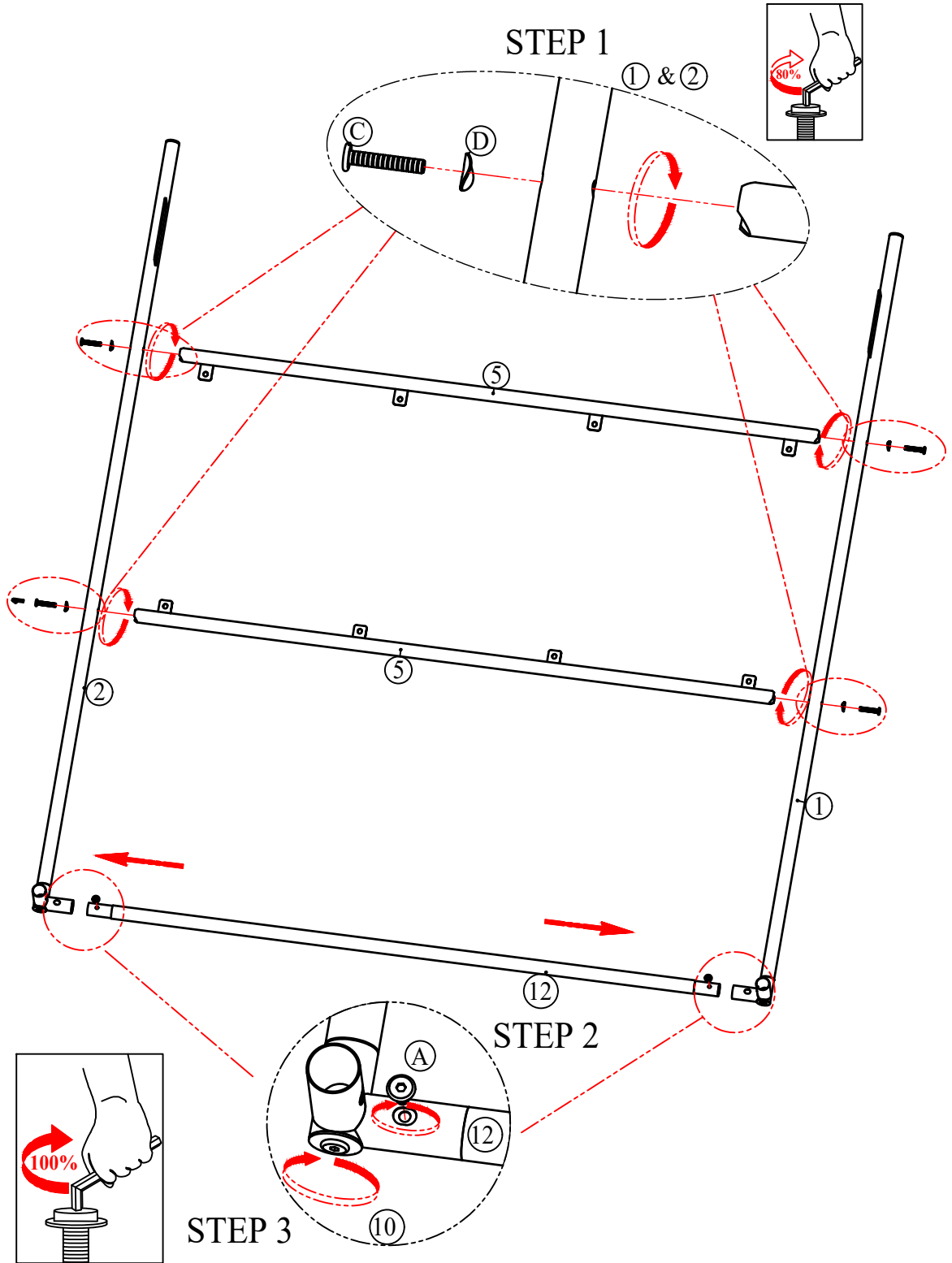
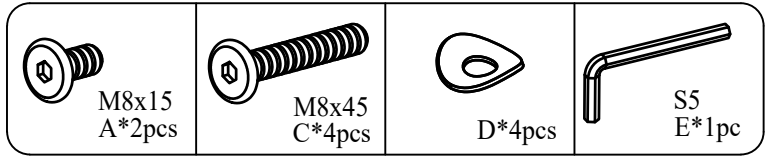
**Note: It is recommended that you have an adult partner to assist during the entire assembly process.**

Step 1



Attach the Left pillar 1 and Right pillar 2 to Three-Way Pipe Connectors 10 by using Bolts B with Allen Wrench E. Do not fully tighten the bolts.

Step 2

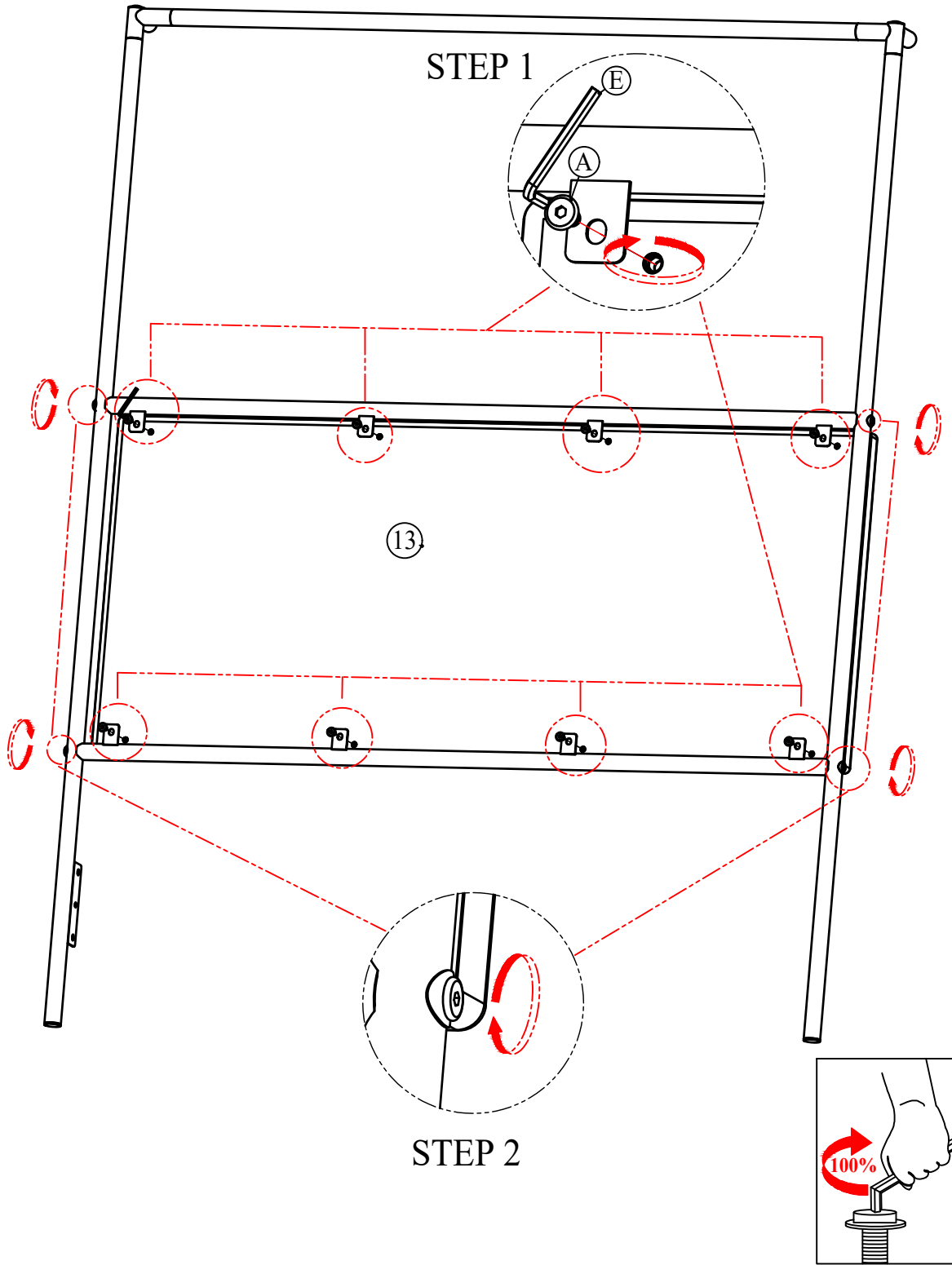
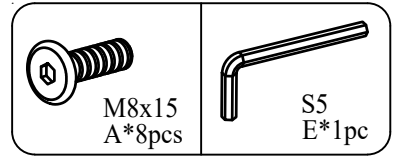


**Note that the metal plate of part 5 is facing the RIGHT direction.**

Attach Bedhead horizontal tube 5 to Left pillar 1 and Right pillar 2 using bolts C and washer with Allen Wrench E.

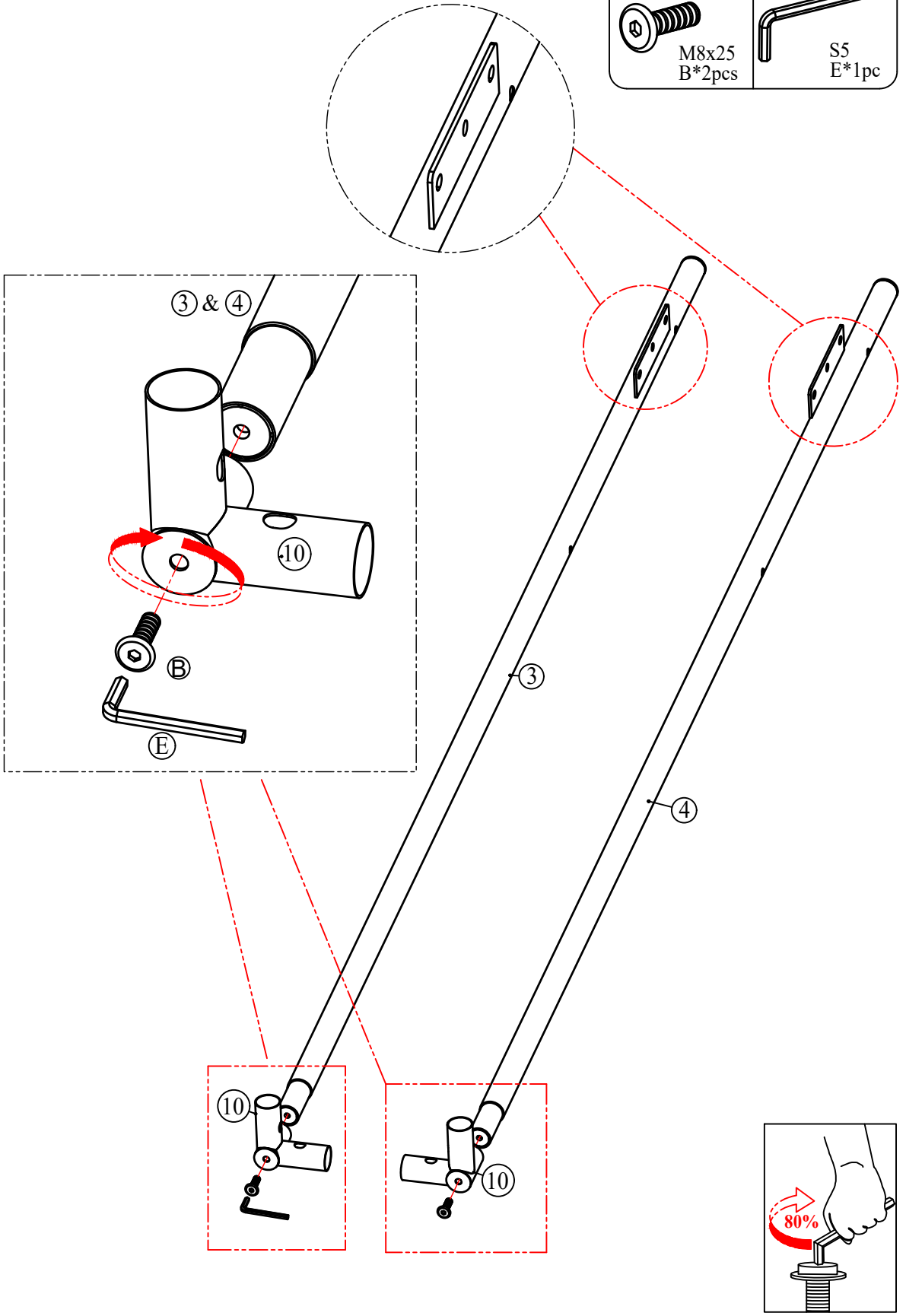
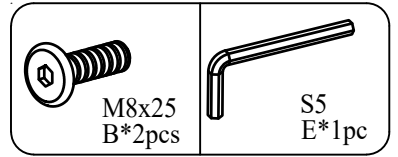
Attach short pipe 12 to Three-Way Pipe Connectors 10 by using Bolts A and Washer with Allen Wrench E.

Step 3



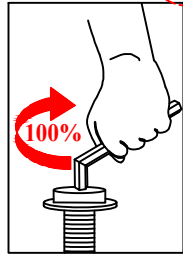
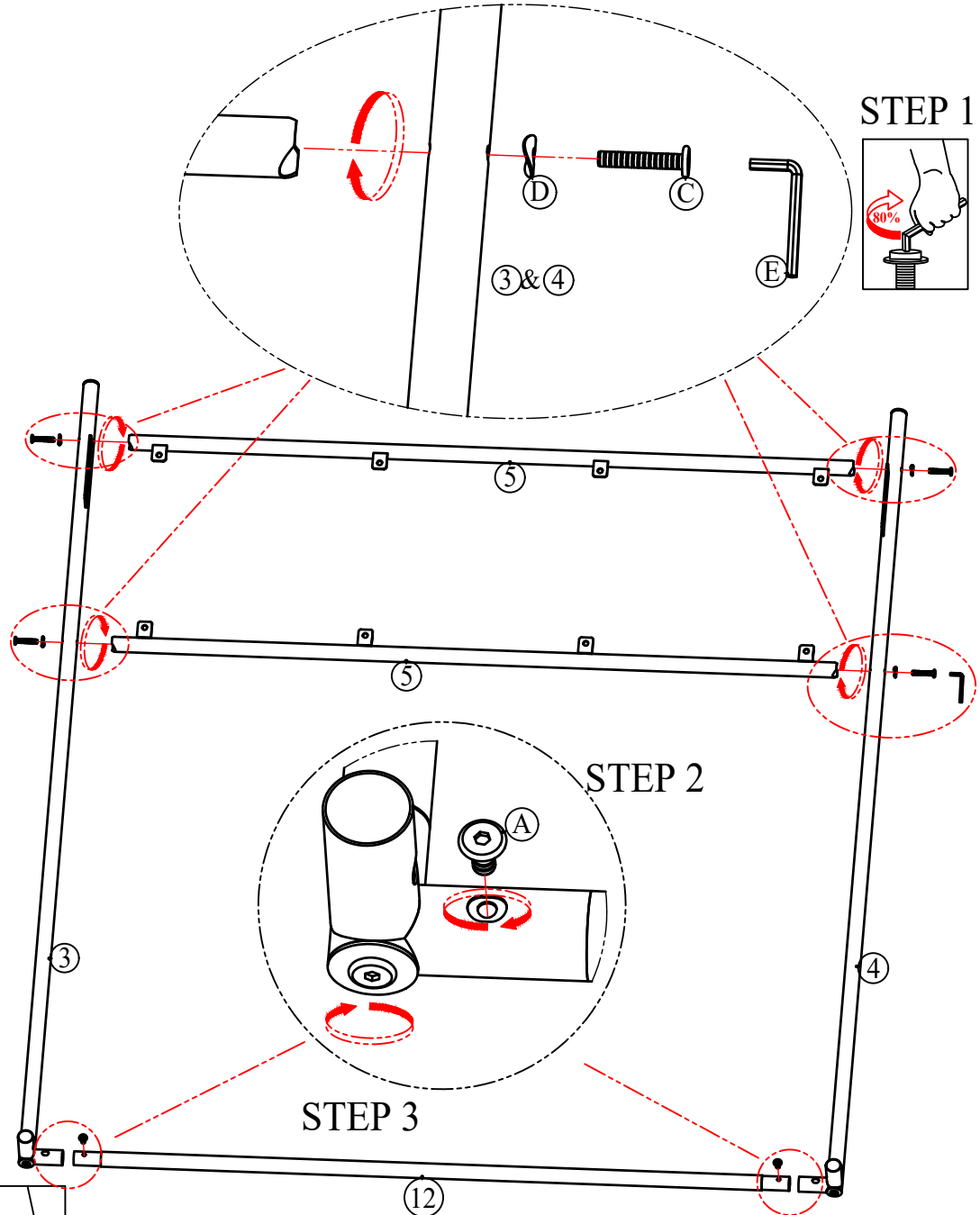
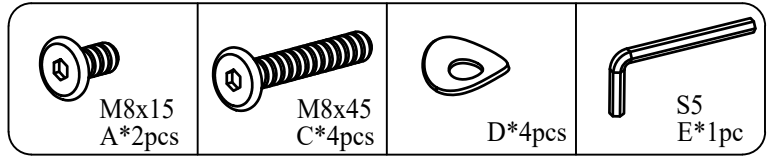
Attach Headboard 13 to Bedhead horizontal tube 5 by using bolts A with allen wrench E.

Step 4



Attach the Left pillar 3 and Right pillar 4 to Three-way Pipe Connector 10 by using Bolts B and Washer with Allen Wrench E.



Step 5

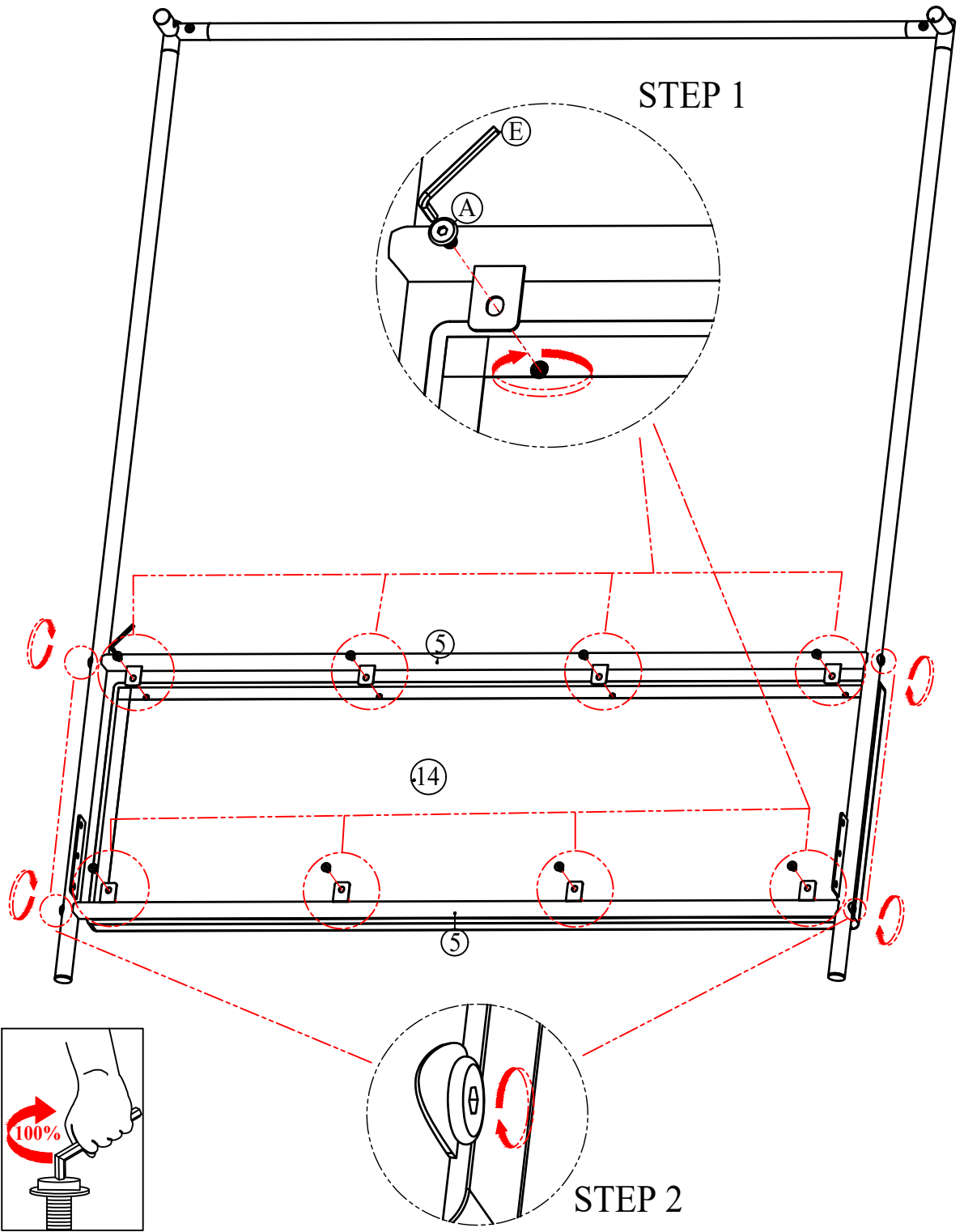


**Note that the metal sheet of part 5 is facing the RIGHT direction.**

Attach Bedhead horizontal tube 5 to Left pillar 3 and Right pillar 4 using bolts C and washer with Allen Wrench E.  
Attach short pipe 12 to Three-Way Pipe Connectors 10 by using Bolts A with Allen Wrench E.

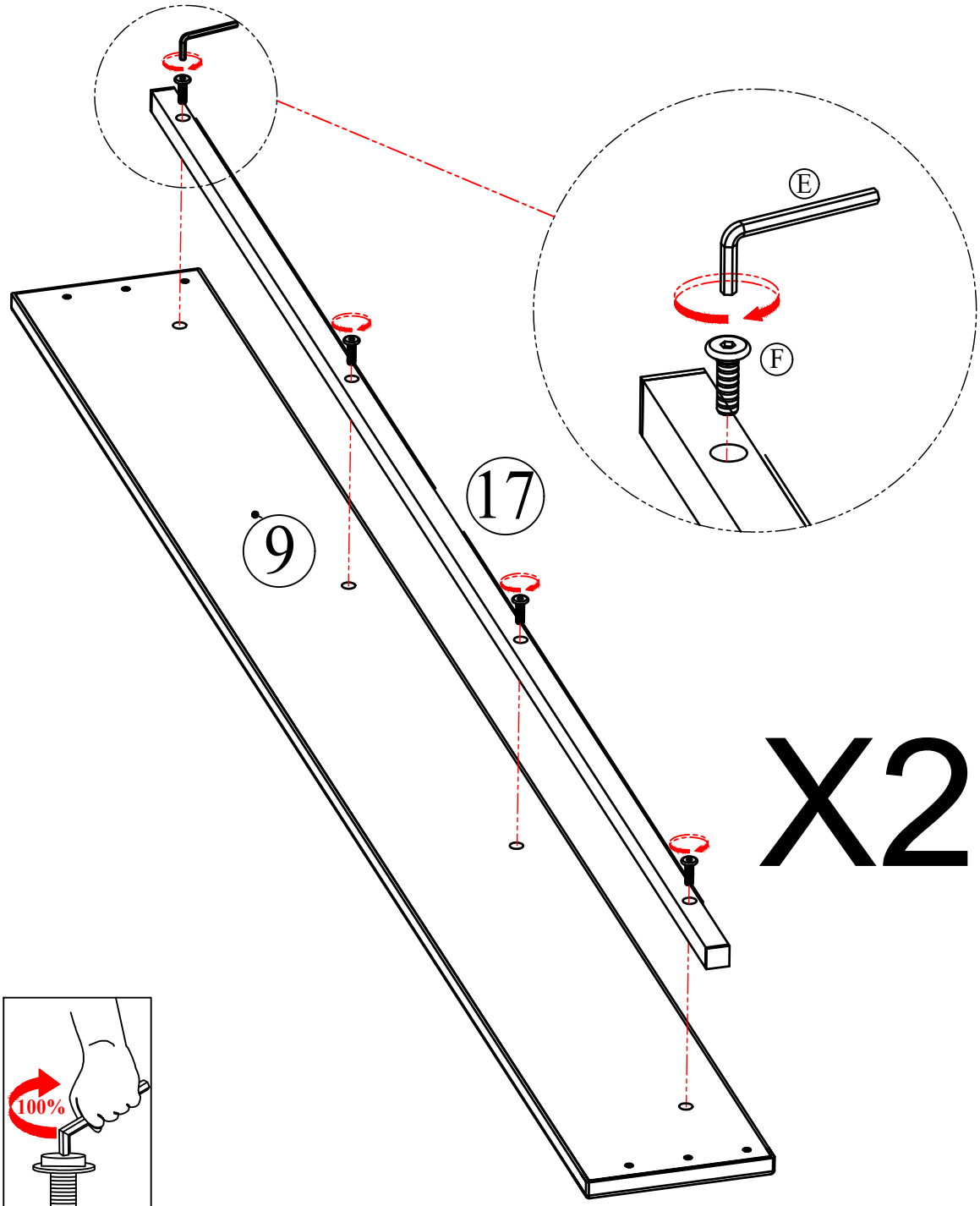
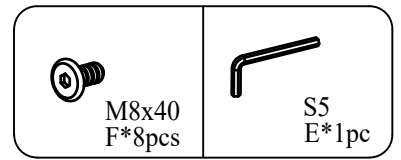
Step 6

 M8x15 A*8pcs	 S5 E*1pc
--	--



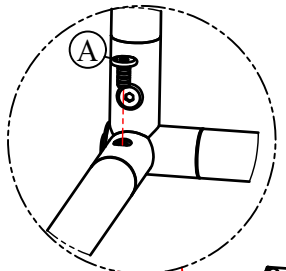
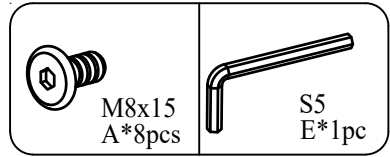
Attach Bedhead horizontal tube 5 to Footboard 14 using bolts A with Allen wrench E.

Step 7

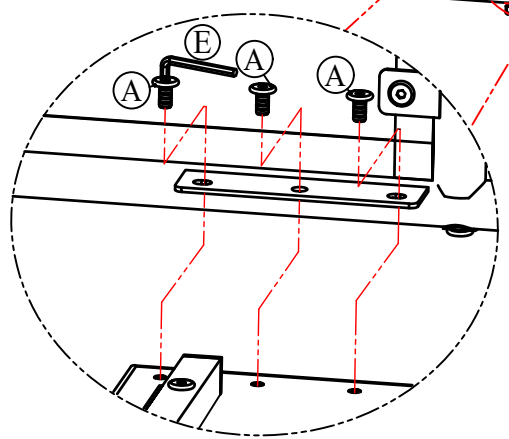
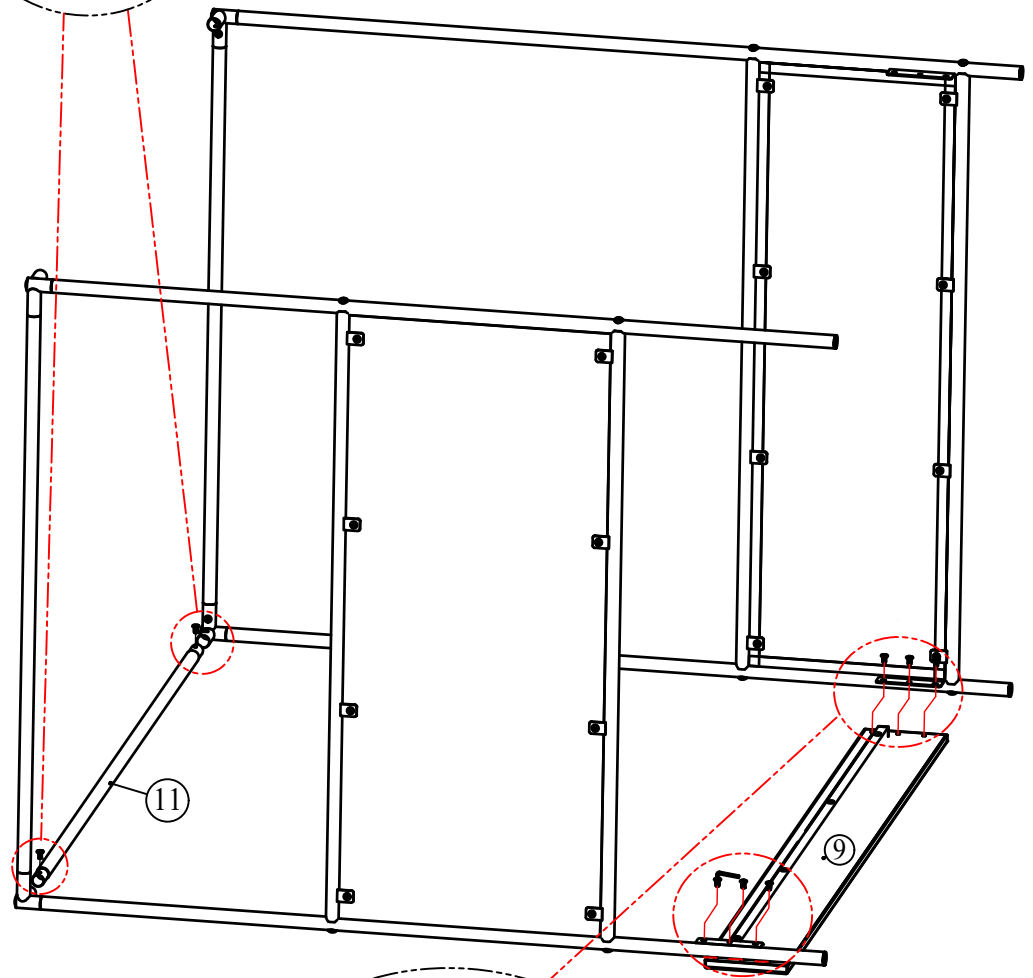


Attach Side rail pipe 17 to Side rail 9 using bolt F with allen wrench E

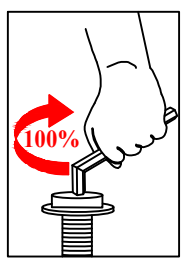
# Step 8



STEP 1


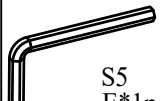


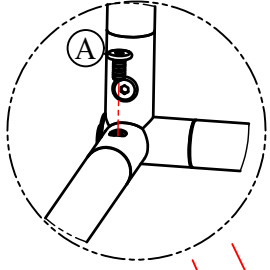
STEP 2



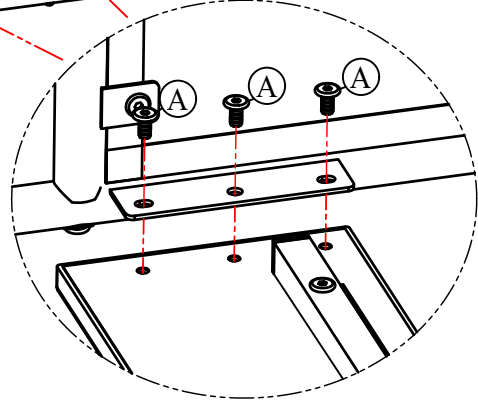
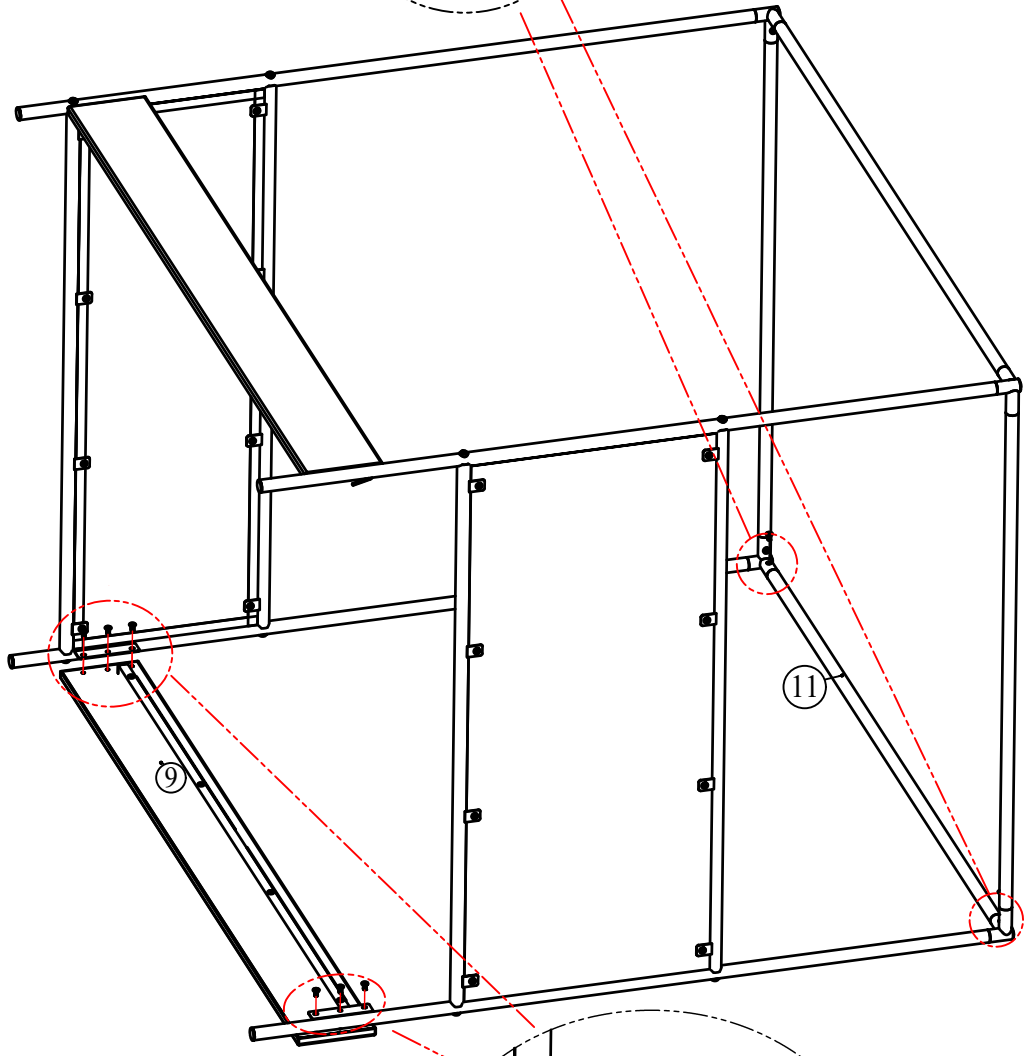
Lay the parts assembled in steps 3 and 6 to the left.  
Attach Long tube 11 to Three-way Pipe Connector 10 using bolts A with Allen wrench E.  
Attach Side Rail 9 to Left Pillar and Right Pillar using bolts A with Allen wrench E.

# Step 9

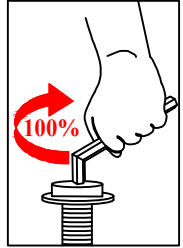
	M8x15 A*8pcs		S5 E*1pc
---	-----------------	---	-------------



STEP 1

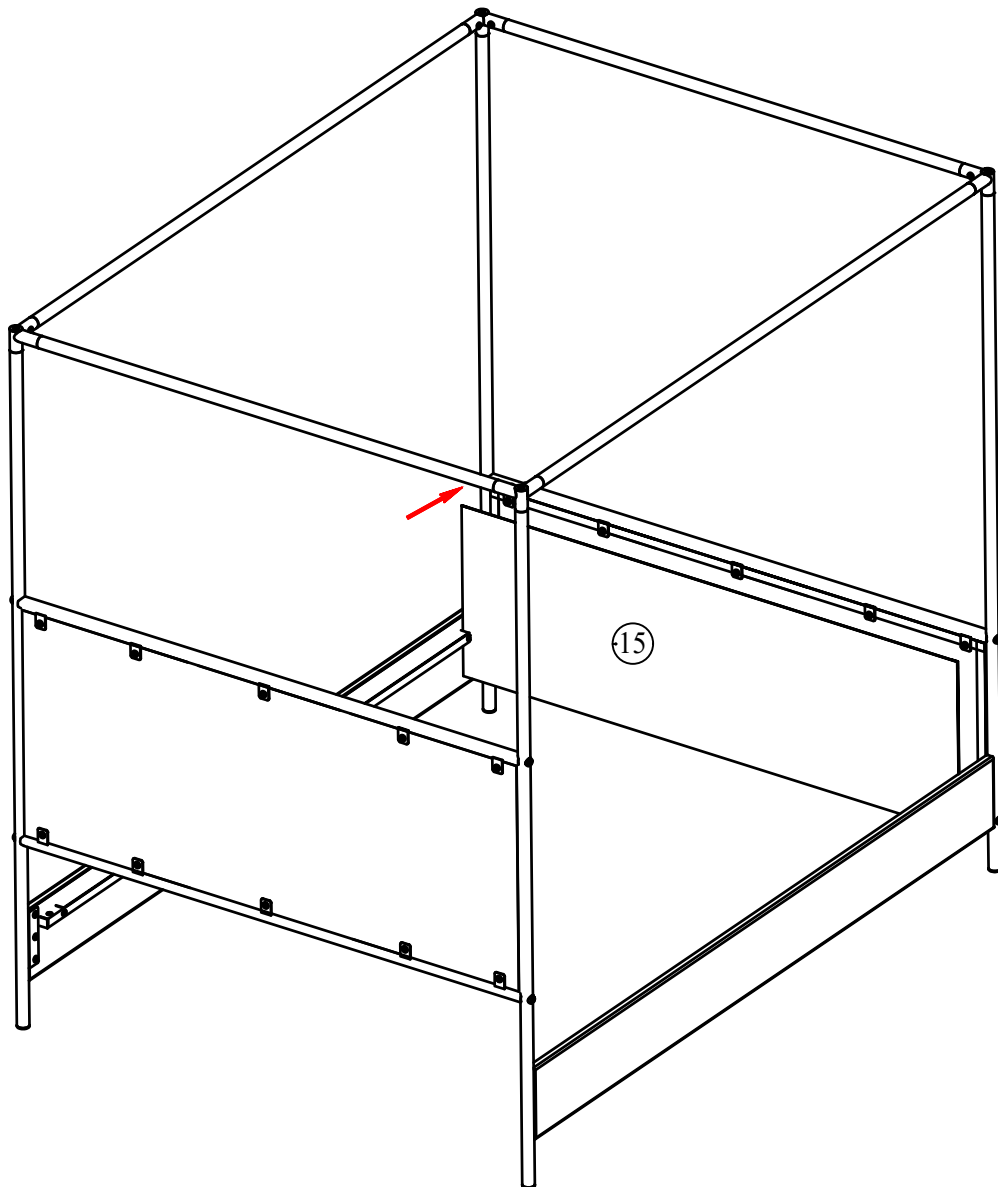


STEP 2



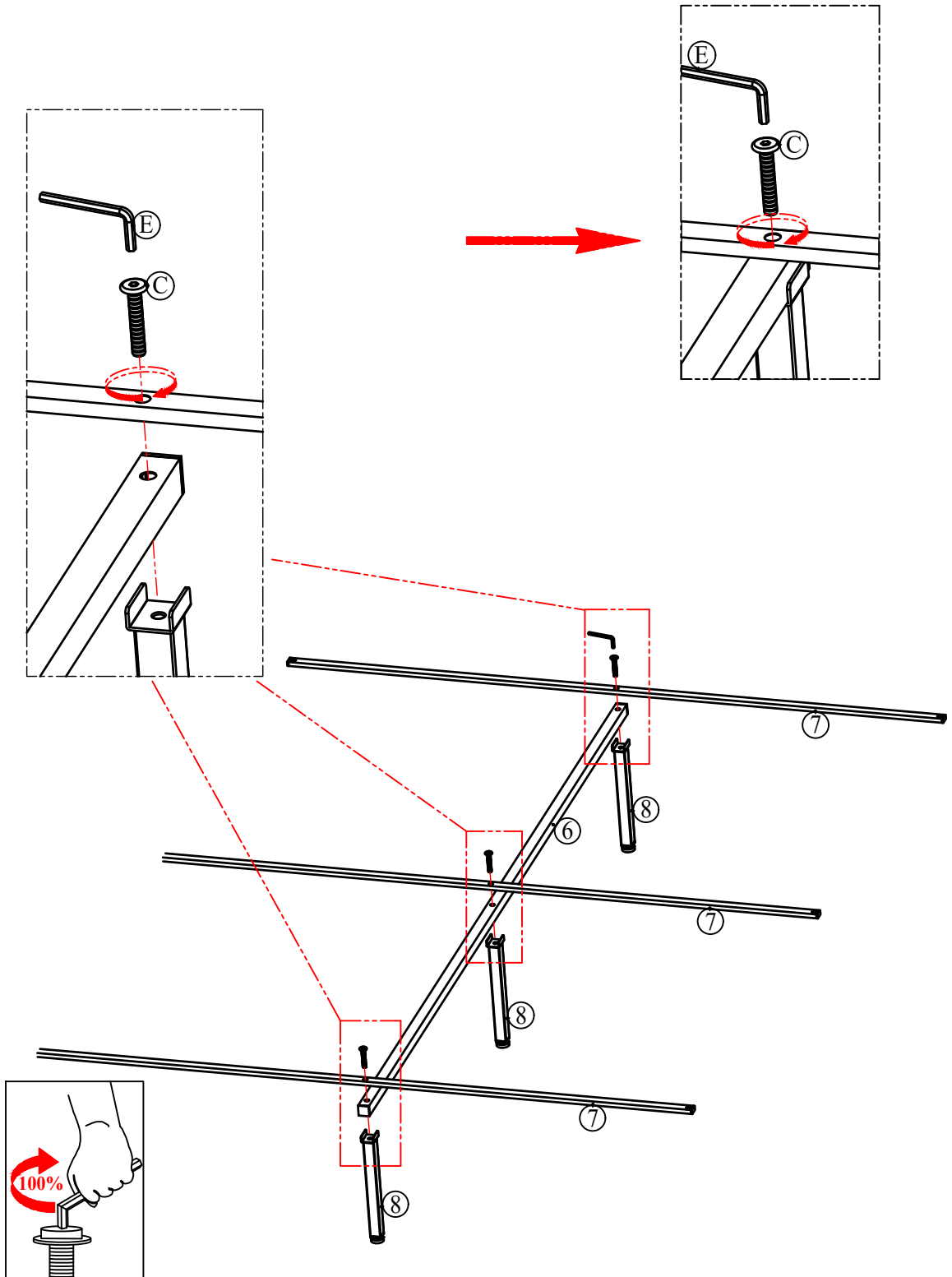
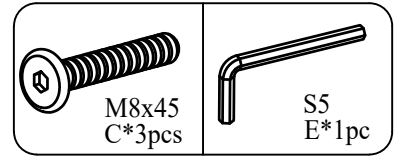
Repeat the previous operation in the opposite direction .

Step 10



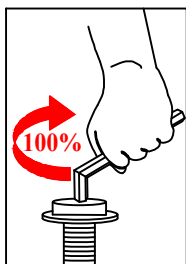
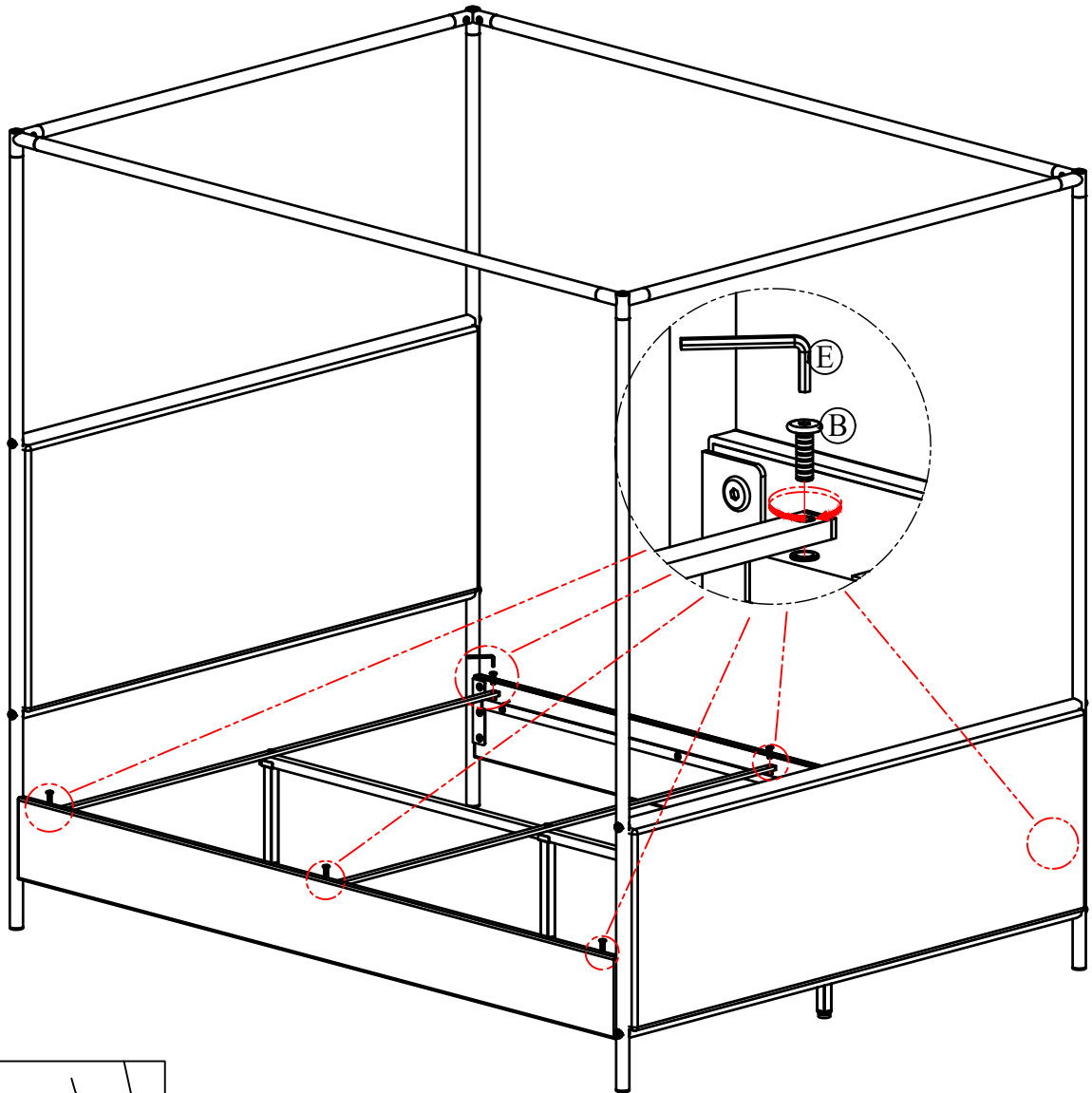
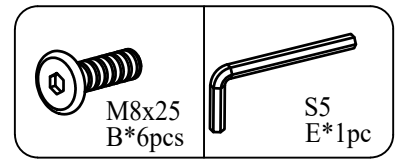
Stand upright the parts assembled in step 8,  
and attach part 15 to the inside of the footboard using magic tape.

Step 11



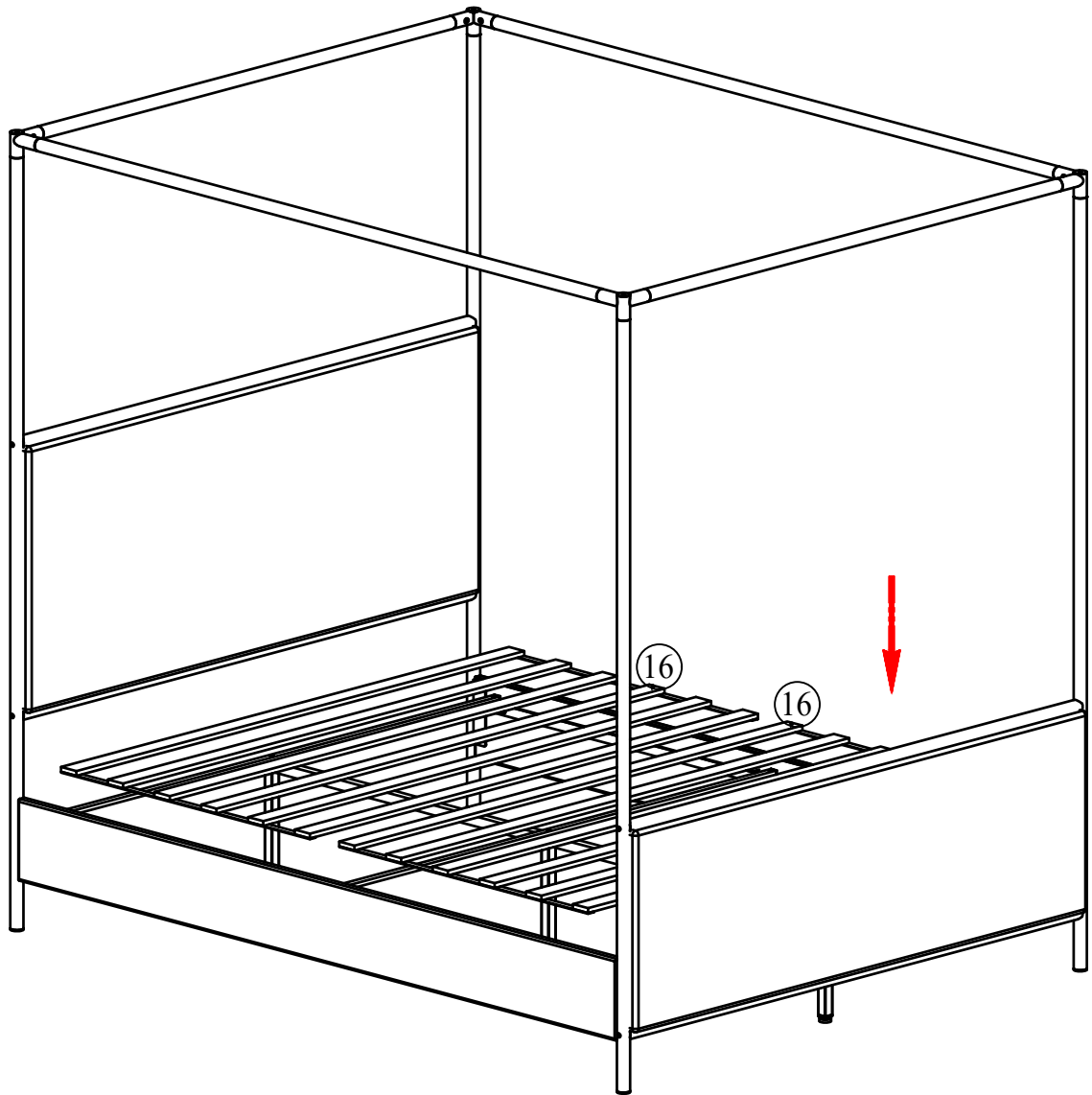
Attach Mid horizontal bar 7 and Center support bar 6 to the Middle support leg 8 by using bolts C and allen wrench E.

Step 12

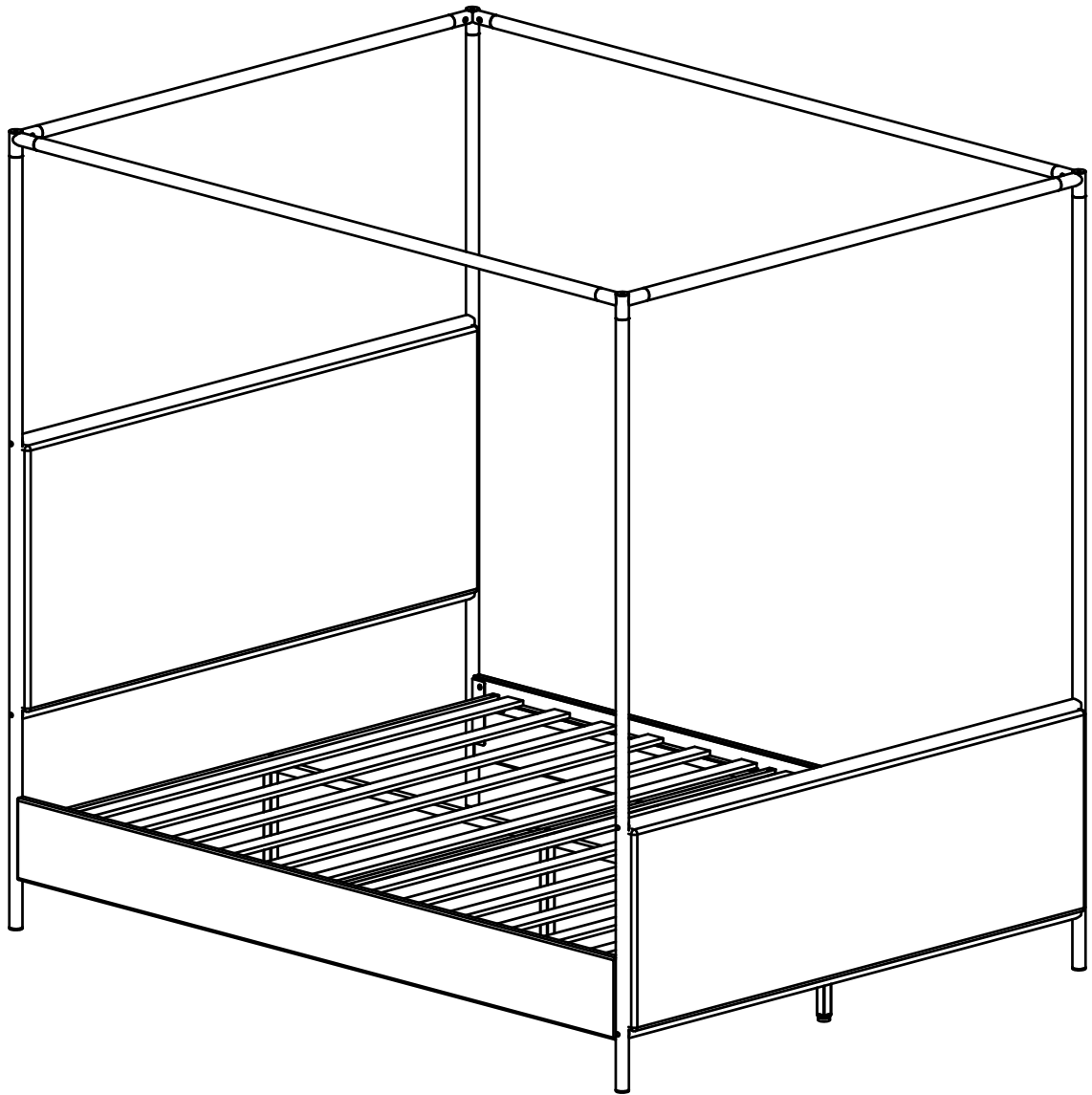


Attach Mid horizontal bar 7 to Side rail pipe 17 by using bolts B and allen wrench E.

Step 13



Fully expand the slats 16 and lay them flat on the Side rail pipe 17 using magic tape.



Your Bed is ready for use.  
This Bed can only be used on a flat, level surface.

**Place the Bed on a LEVEL SURFACE.**

**Inspect it and make sure all parts are adequately connected.**

**Don't push too hard, shake on the bed.**

**This would help to align all the parts at all the joint areas.**

**CAUTION 1: When tightening these screws, tighten sequentially.**

**DO NOT tighten any screw fully and then towards the next one.**

**This would cause the frame to warp.**

**If there is still wobbles, loosen the screws and execute this same process. DO NOT tighten any screw fully and then towards the next one.**

**WARNING!! IF BED IS NOT STABLE, IT COULD LEAD TO DAMAGING THE PRODUCT.  
Ensure all screws are fully locked into position.**