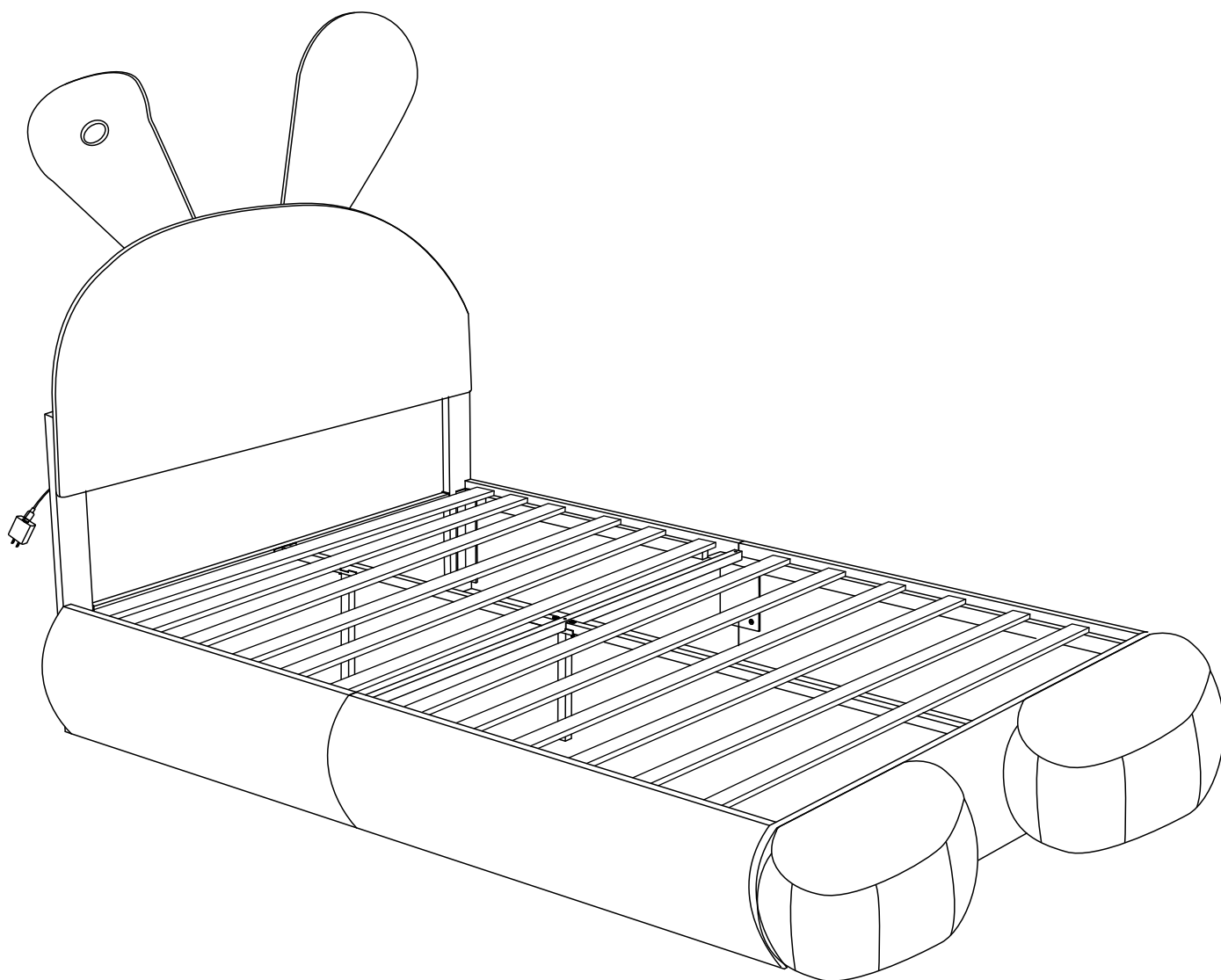
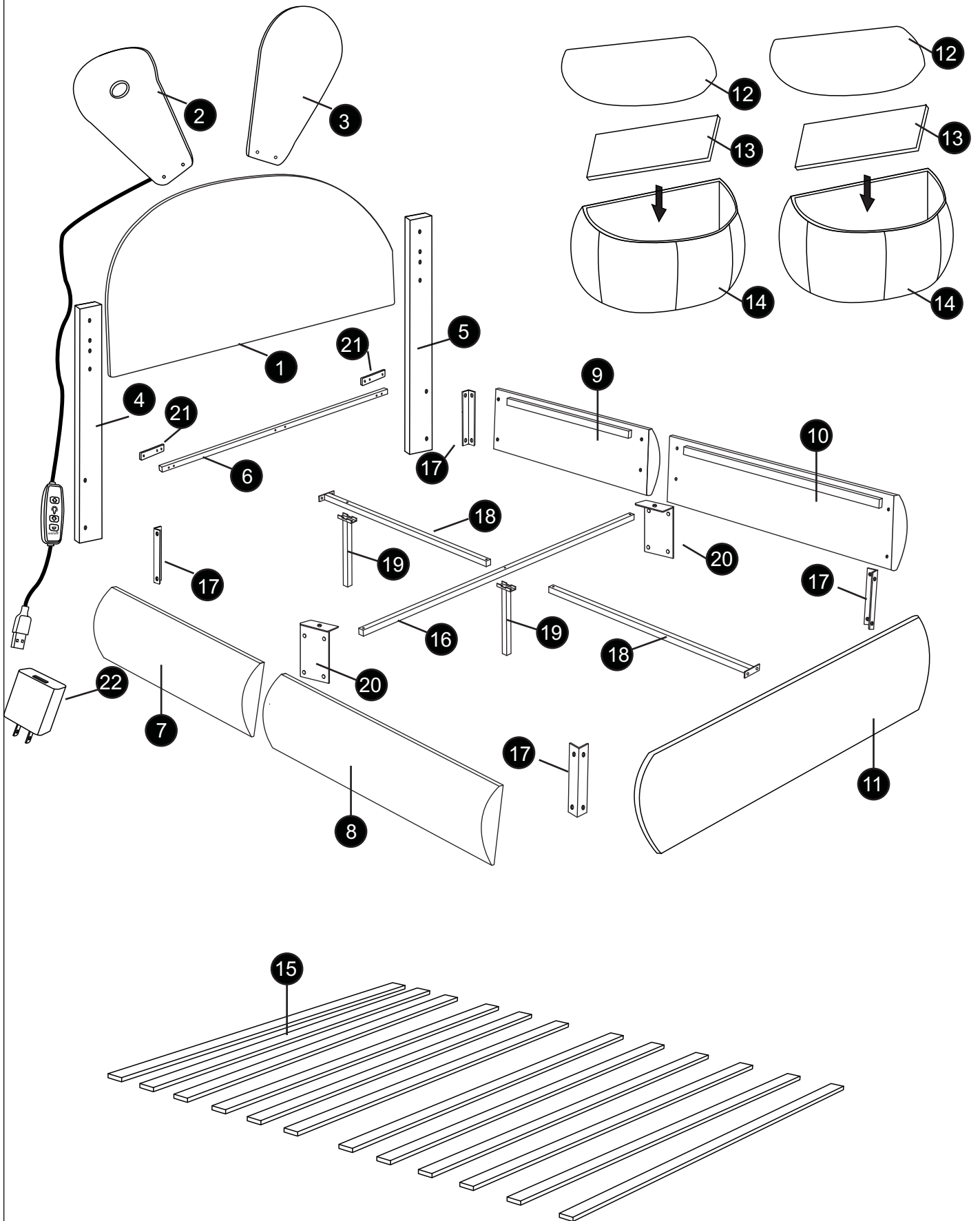


ASSEMBLY INSTRUCTIONS

TWIN BED

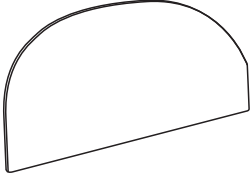


ASSEMBLY INSTRUCTIONS

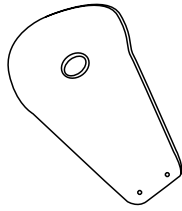


ASSEMBLY INSTRUCTIONS

1 x1



2 x1



3 x1



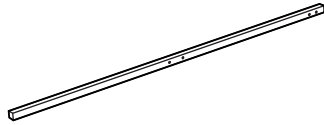
4 x1



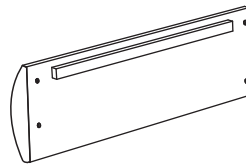
5 x1



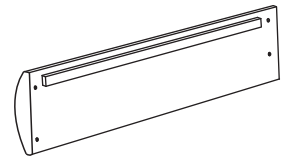
6 x1



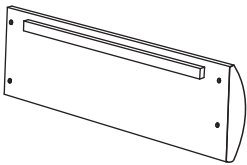
7 x1



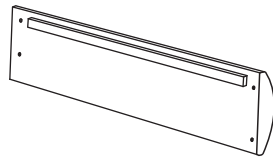
8 x1



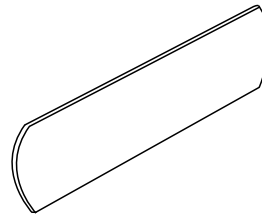
9 x1



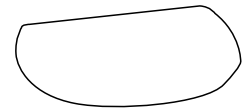
10 x1



11 x1



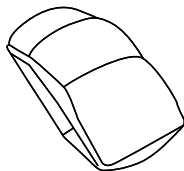
12 x2



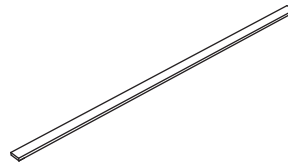
13 x2



14 x2



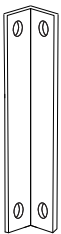
15 x12



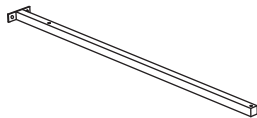
16 x1



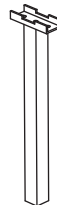
17 x4



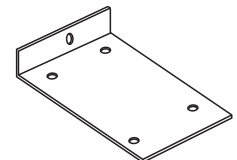
18 x2



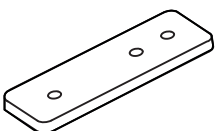
19 x2



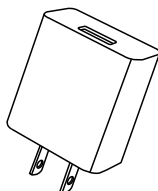
20 x2



21 x2

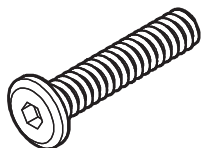


22 x1



ASSEMBLY INSTRUCTIONS

A: x14



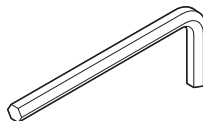
M8*40mm

B: x34



M8*20mm

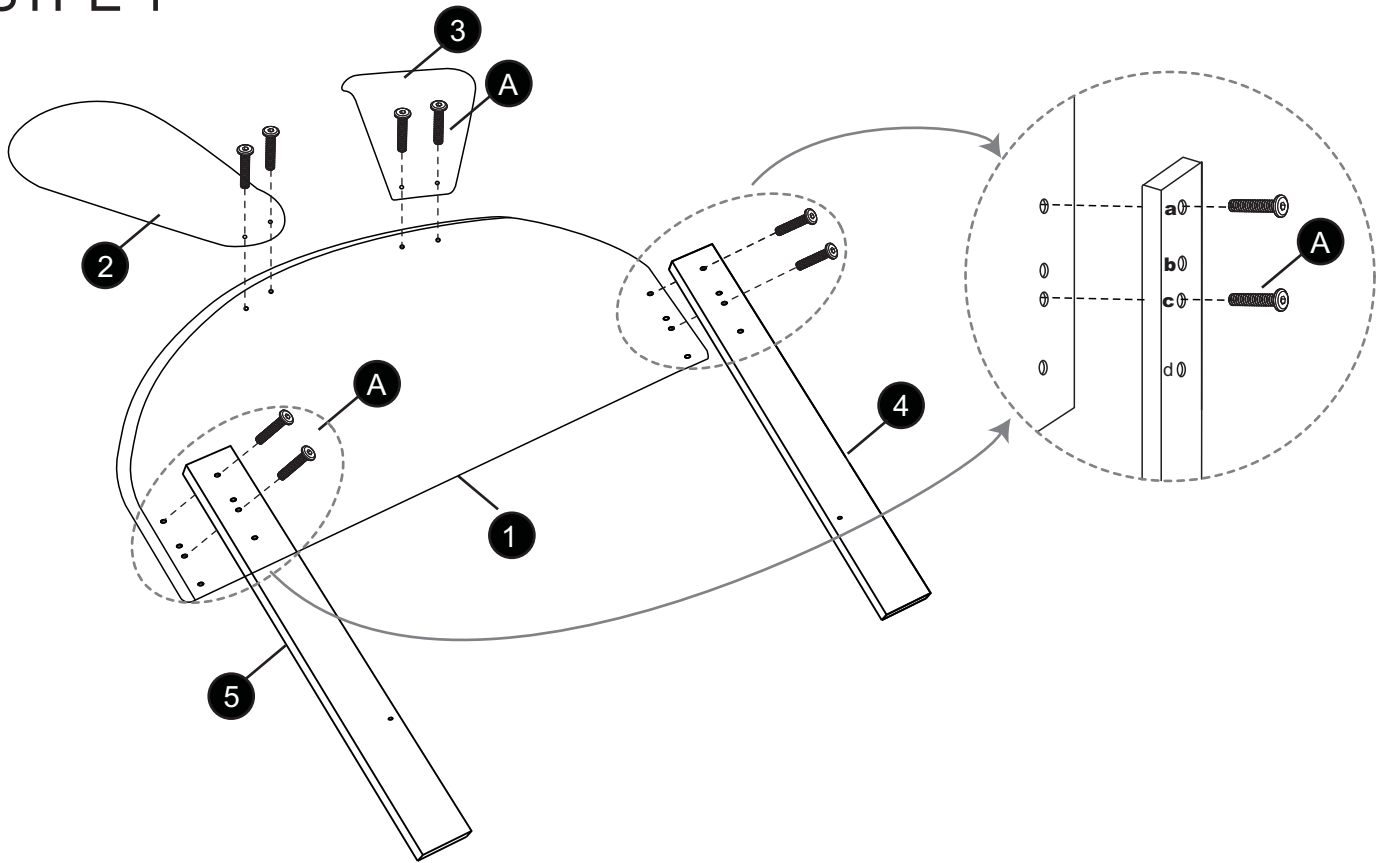
D: x1



Allen Key M8

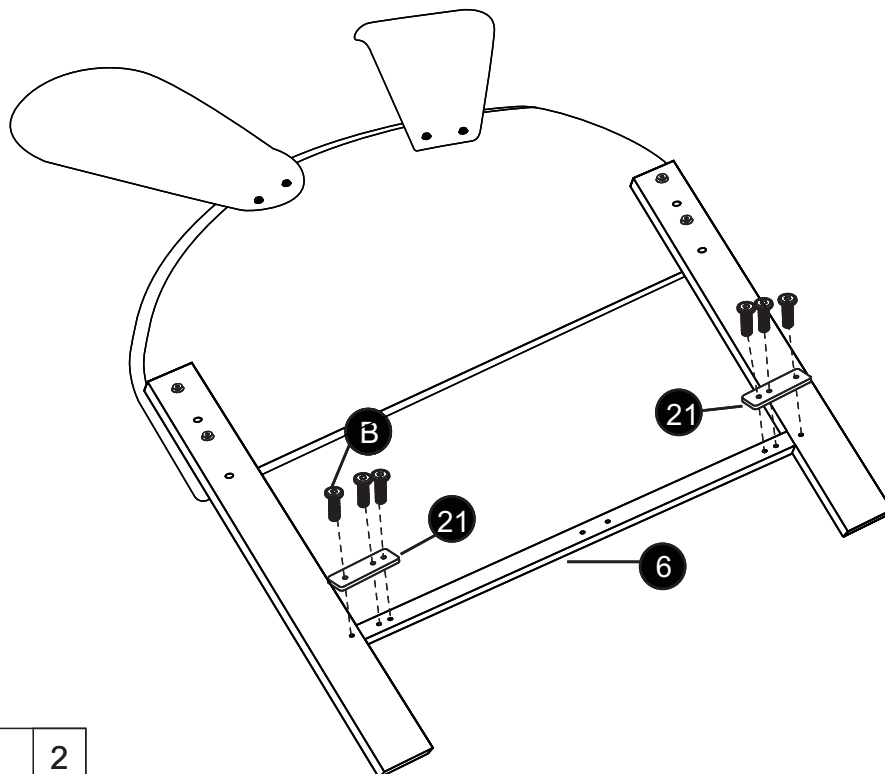
ASSEMBLY INSTRUCTIONS

STPE 1



A	 M8*40mm	8
---	---------------------------------------------------------------------------------------------	---

STPE 2

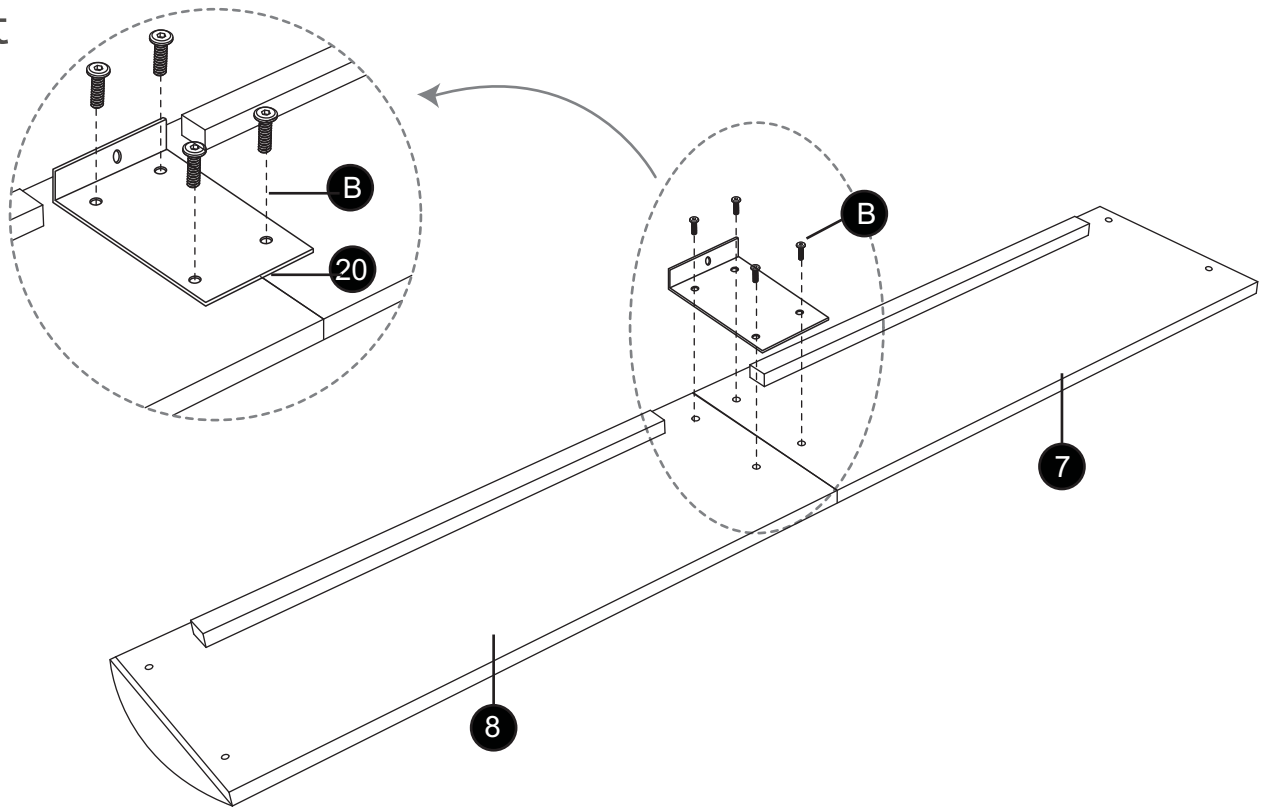


15		2
B	 M8*20mm	6

ASSEMBLY INSTRUCTIONS

STPE 3

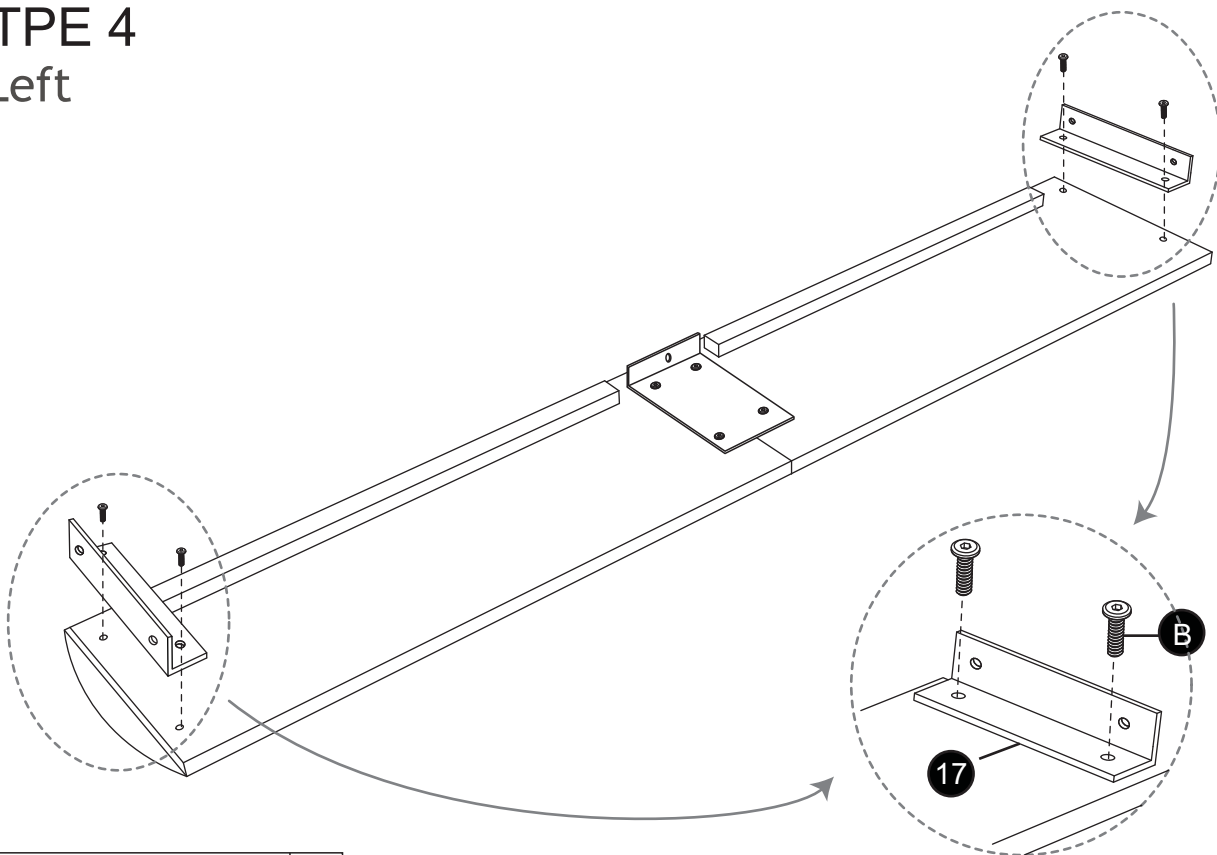
Left



20		1
B	M8*20mm	4

STPE 4

Left

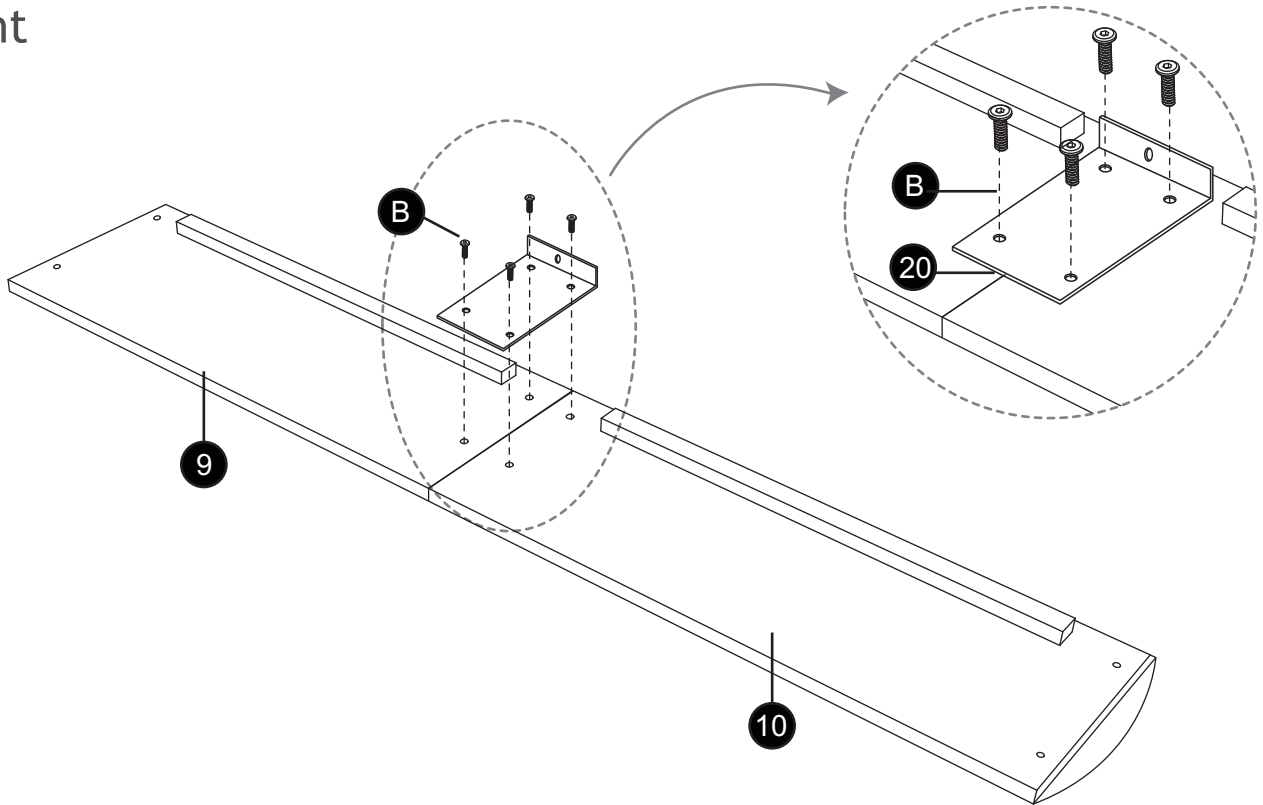




17		2
B	M8*20mm	4

ASSEMBLY INSTRUCTIONS

STPE 5

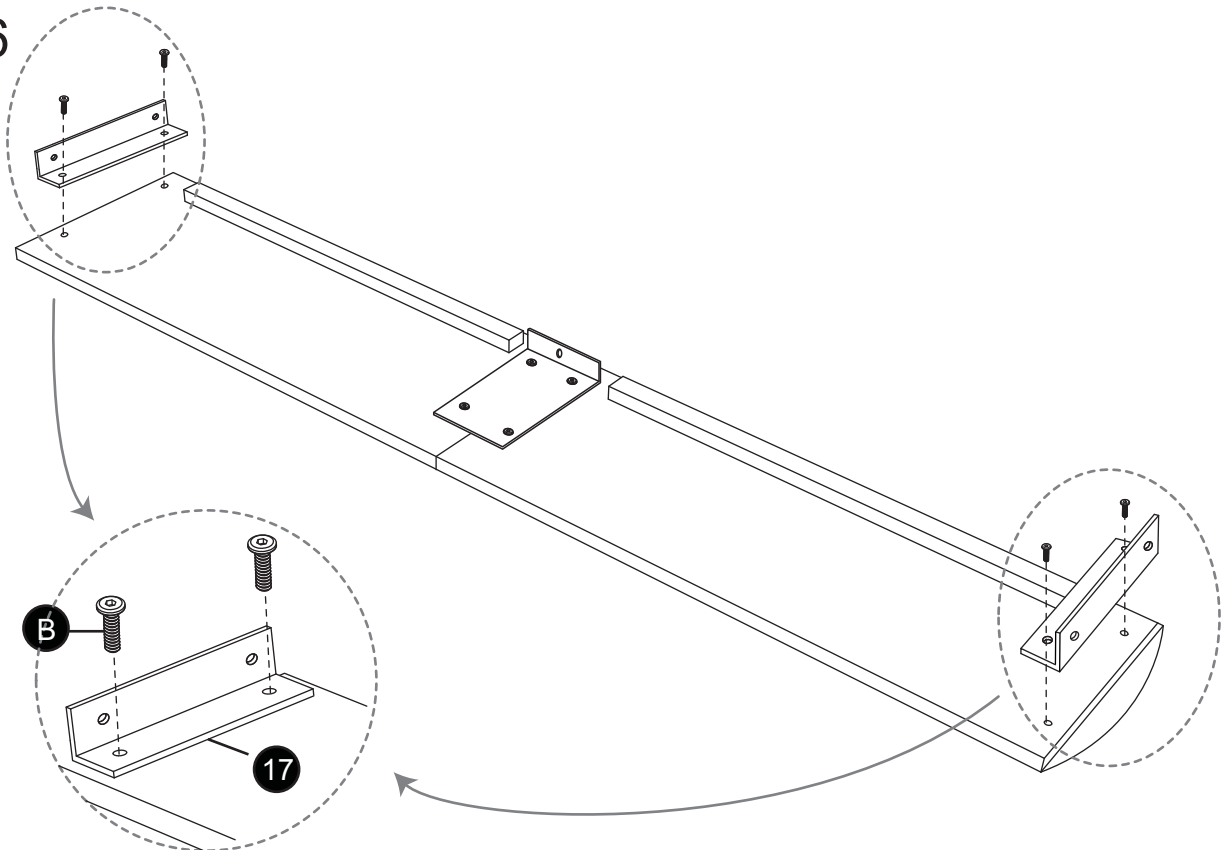
Right





20		1
B	 M8*20mm	4

STPE 6

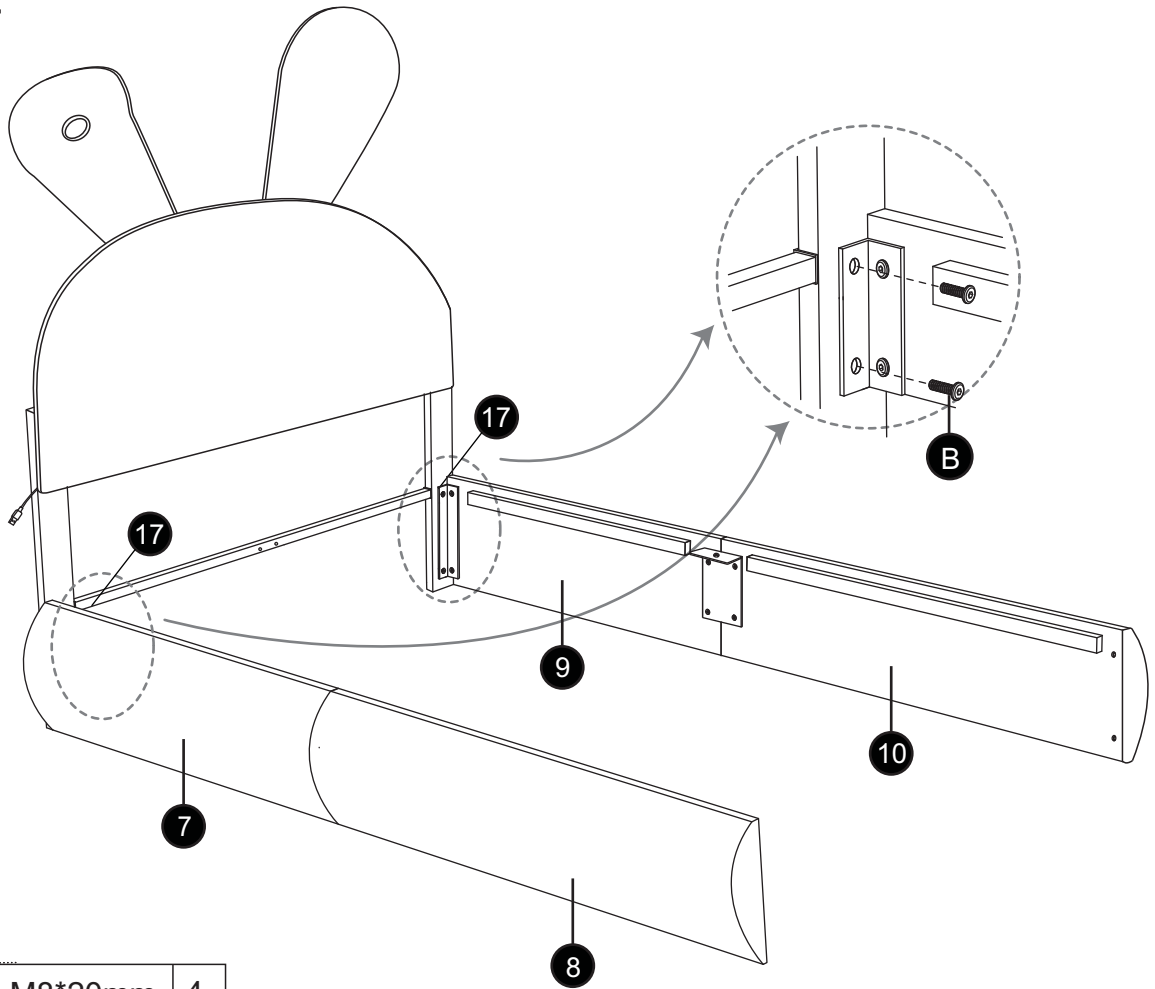
Right



17		2
B	 M8*20mm	4

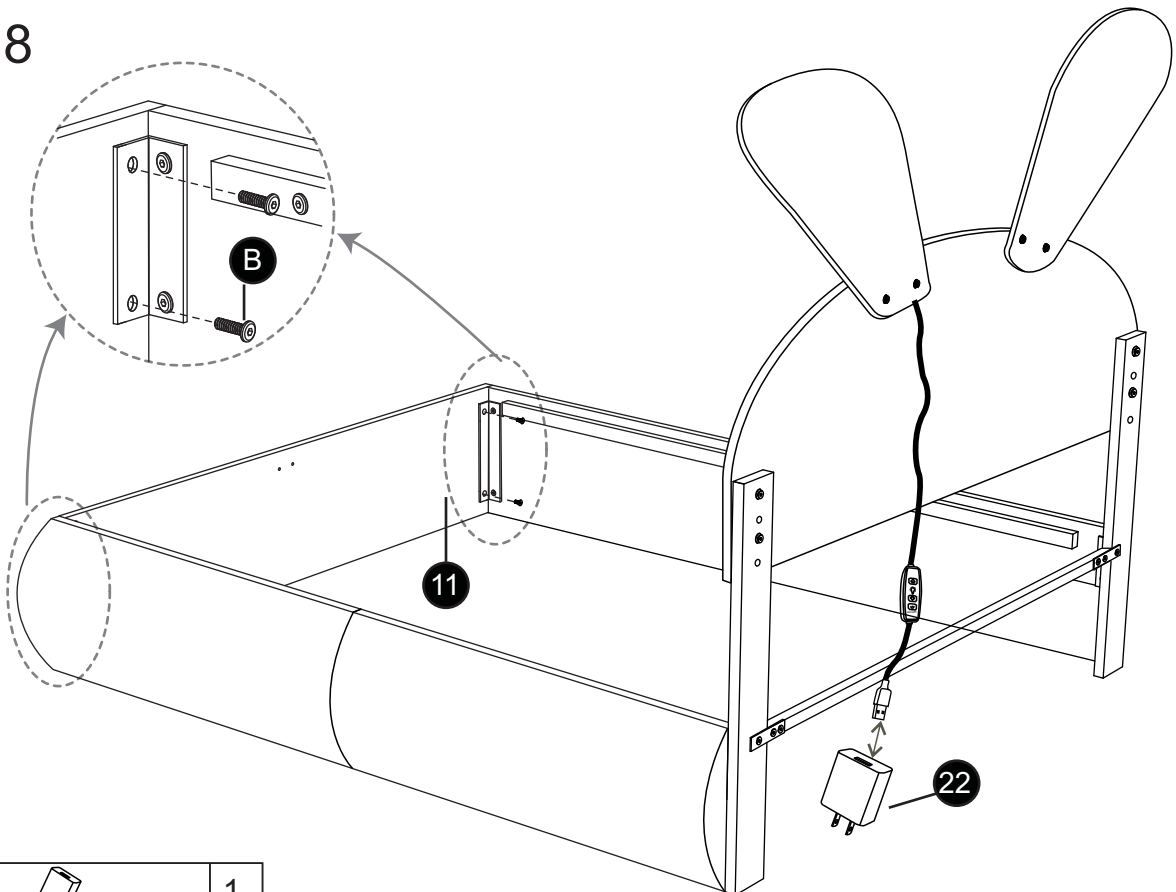
ASSEMBLY INSTRUCTIONS



STPE 7



B		M8*20mm	4
---	-------------------------------------------------------------------------------------	---------	---

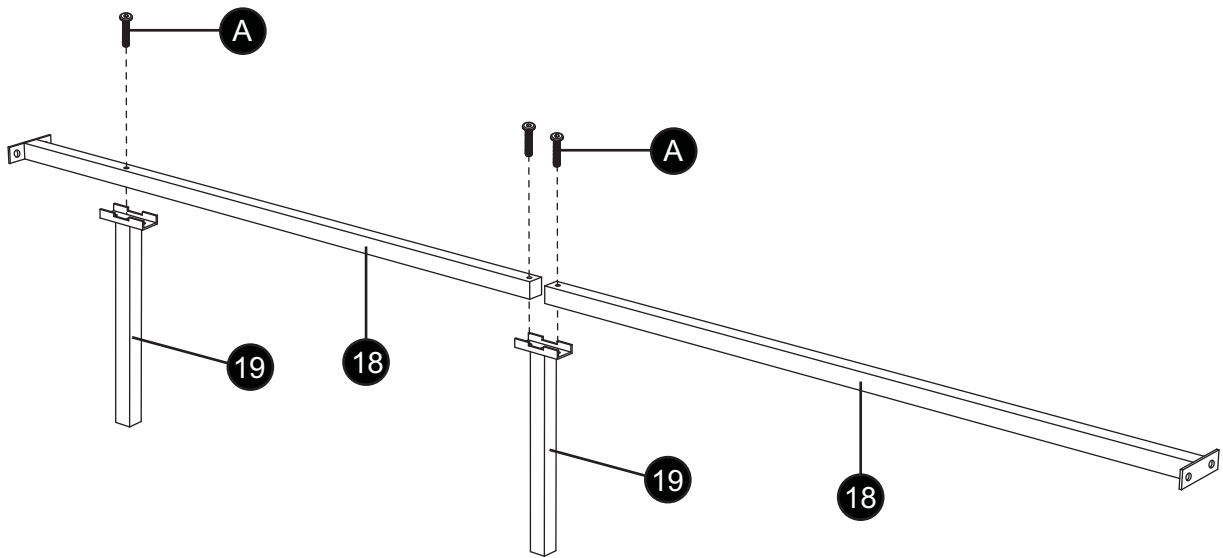
STPE 8





22			1
B		M8*20mm	4

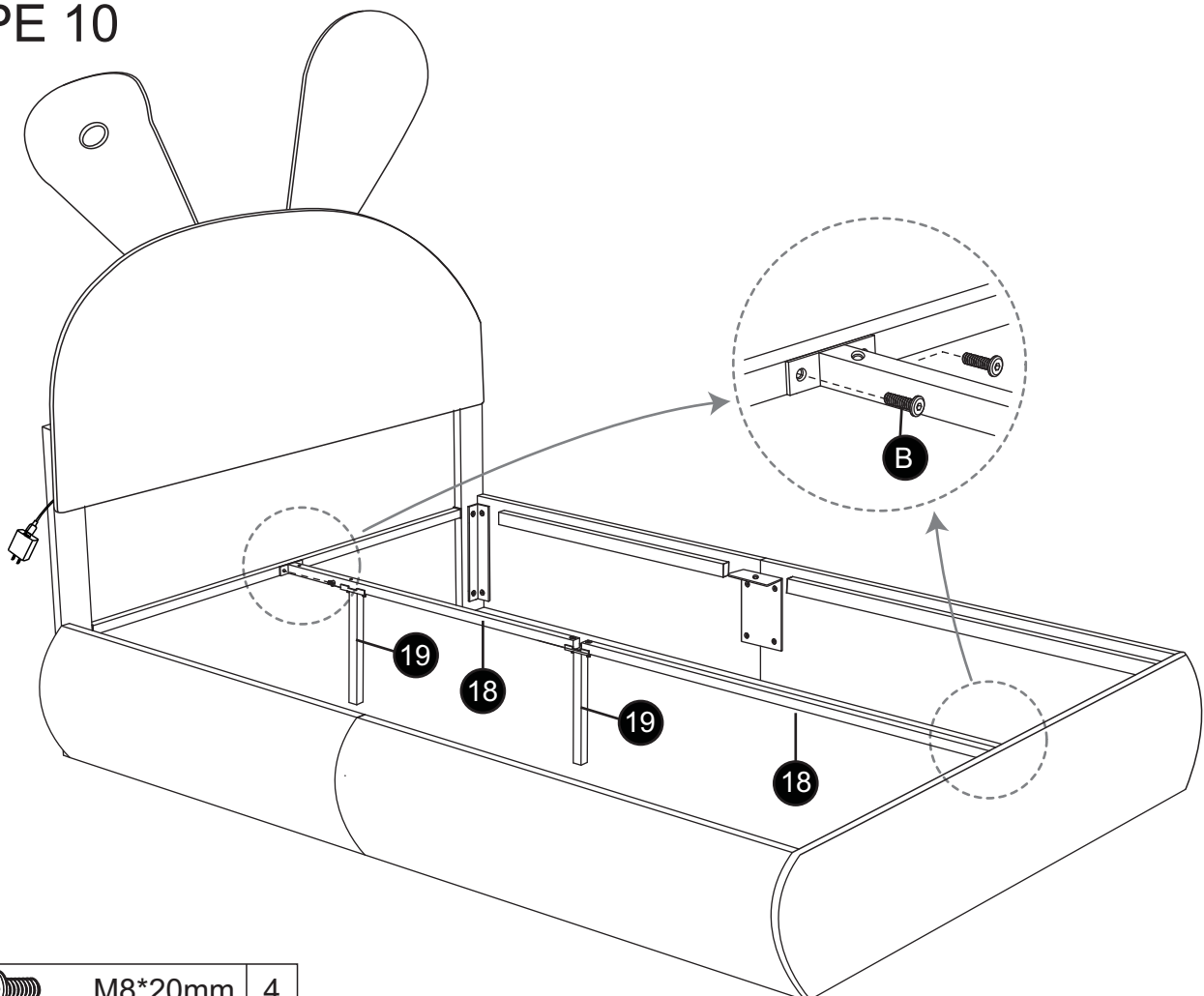
ASSEMBLY INSTRUCTIONS

STPE 9



19		2
A	 M8*40mm	3

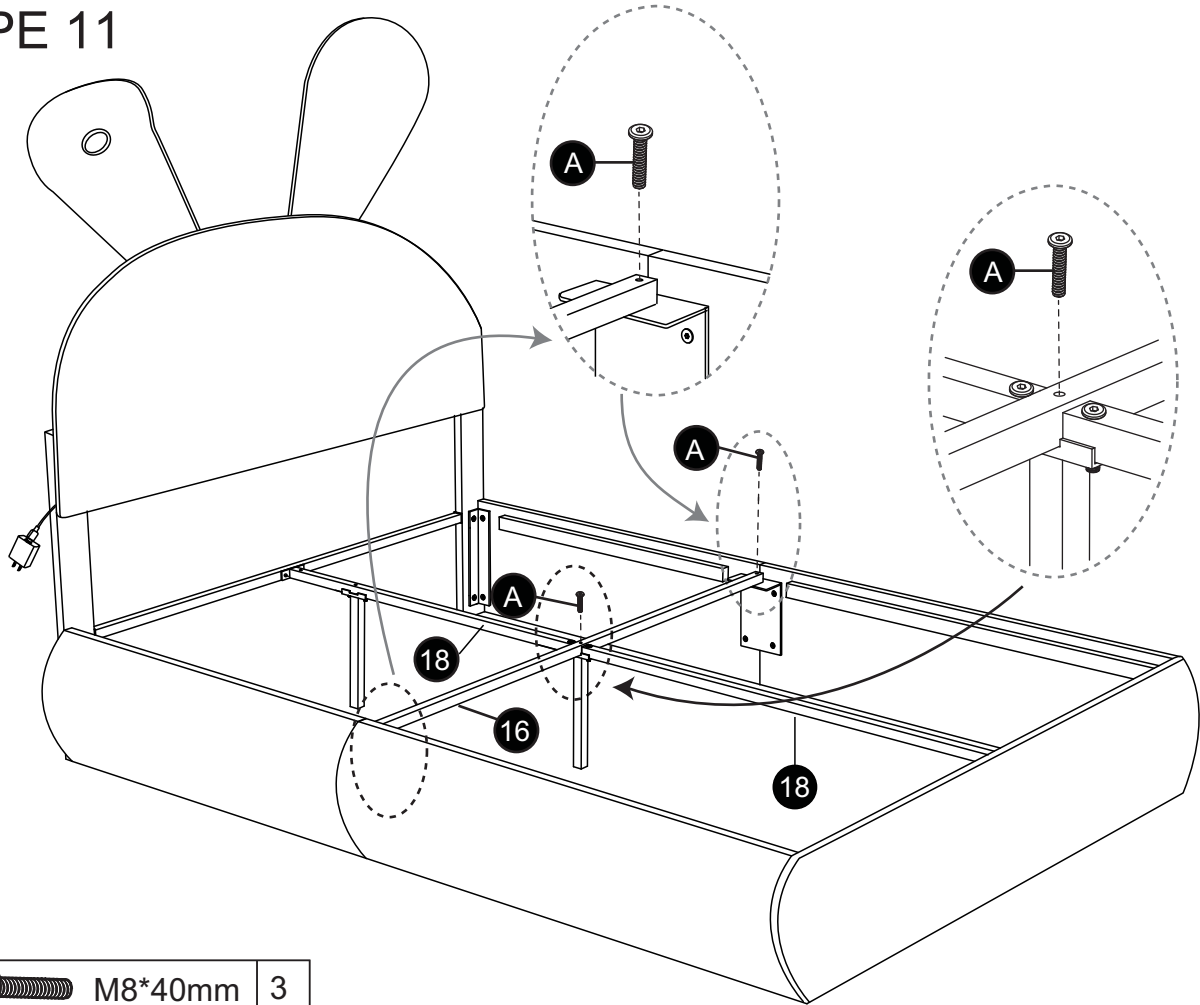
STPE 10



B	 M8*20mm	4
---	---------------------------------------------------------------------------------------------	---

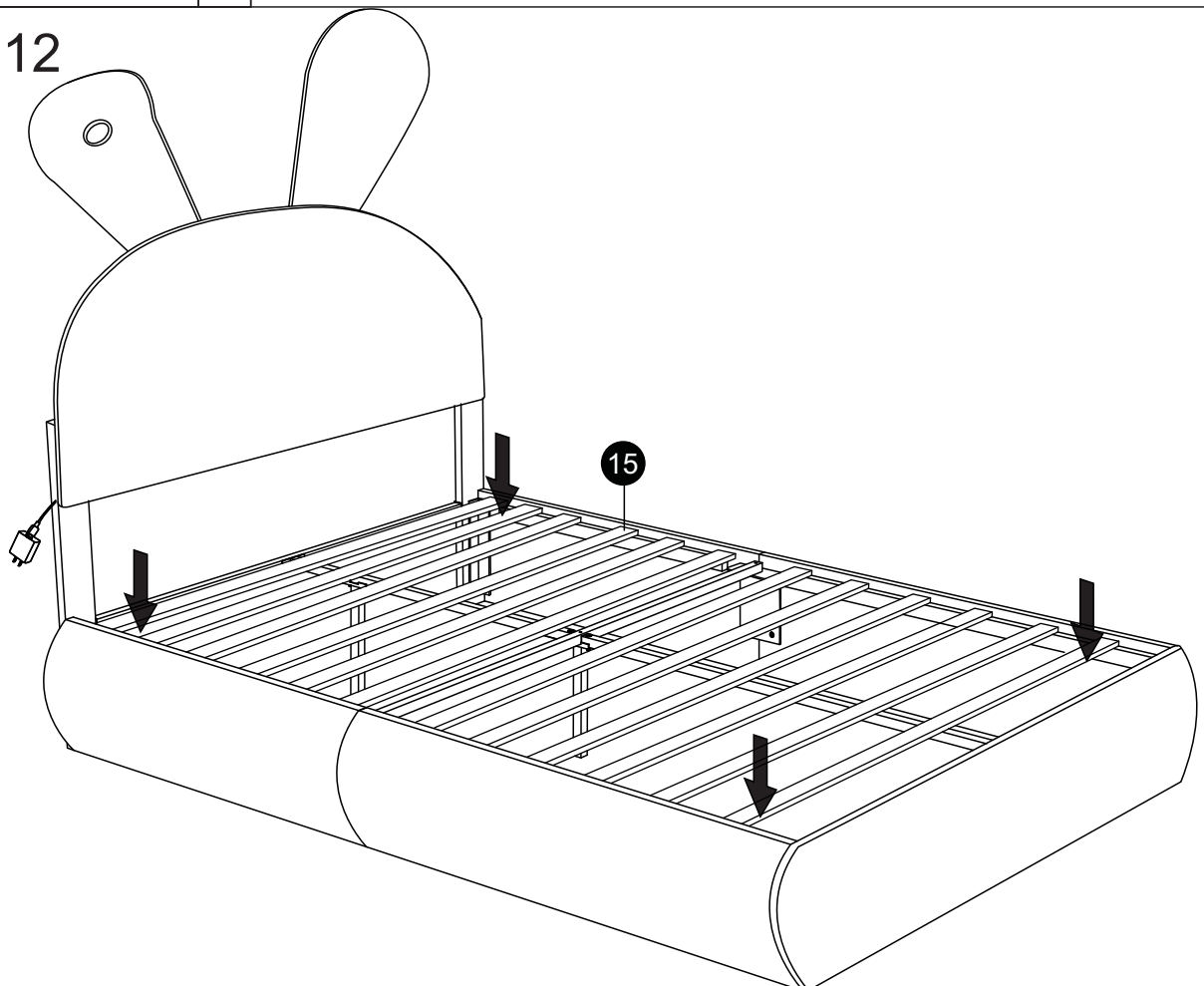
ASSEMBLY INSTRUCTIONS

STPE 11



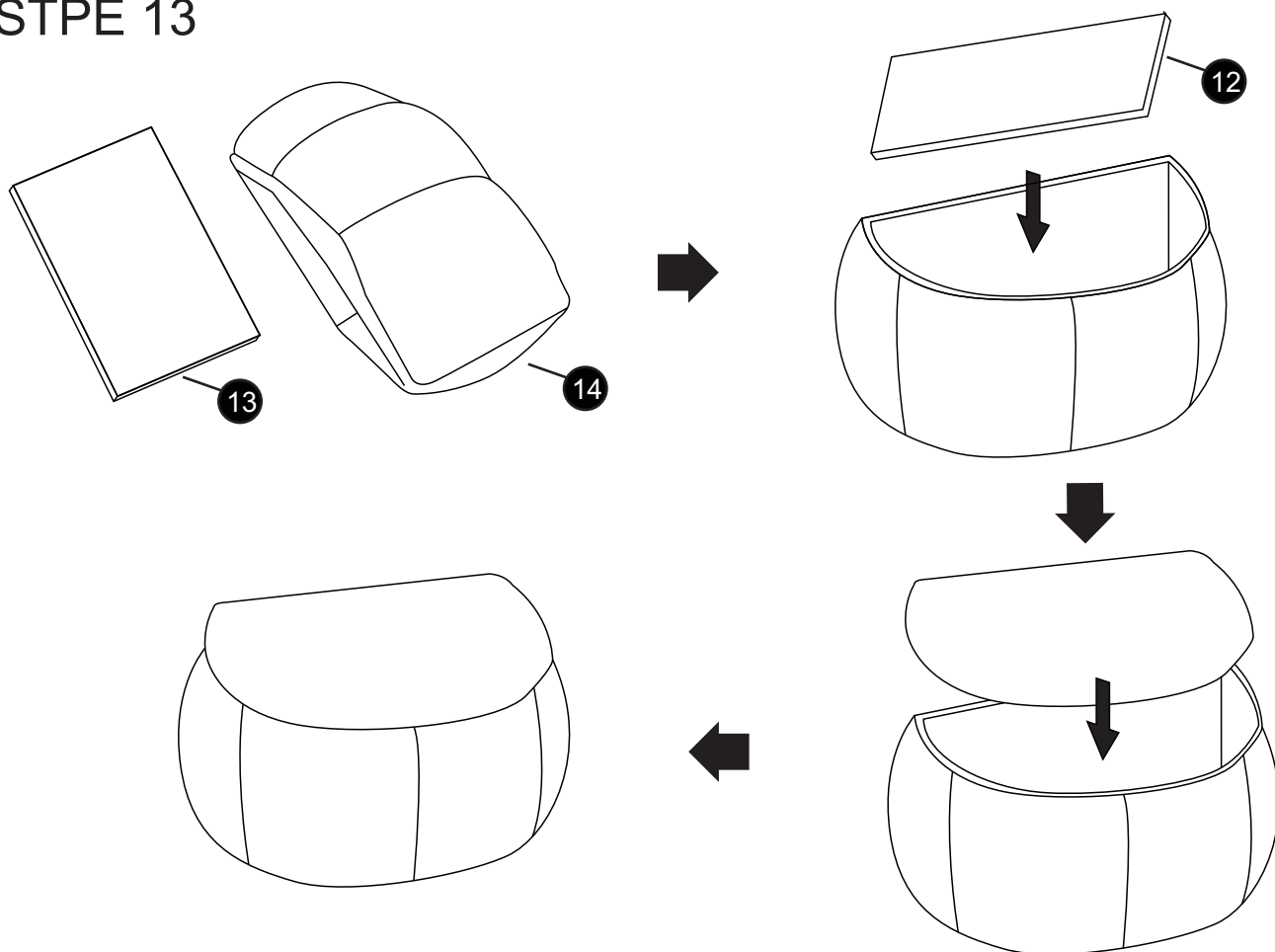
A  M8*40mm 3

STPE 12



ASSEMBLY INSTRUCTIONS

STPE 13



STPE 14

