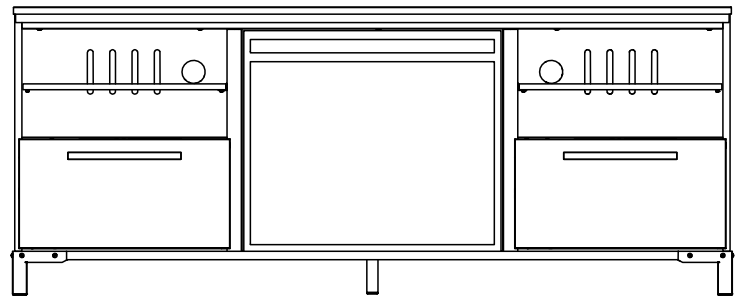
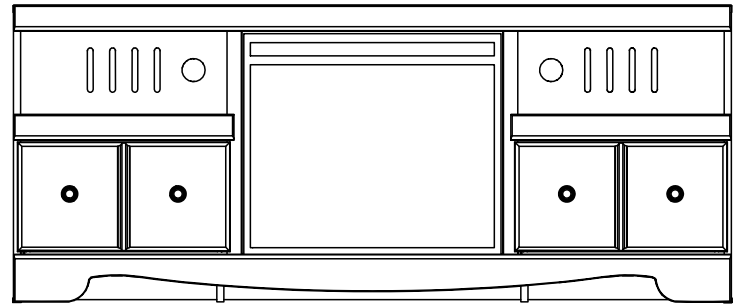
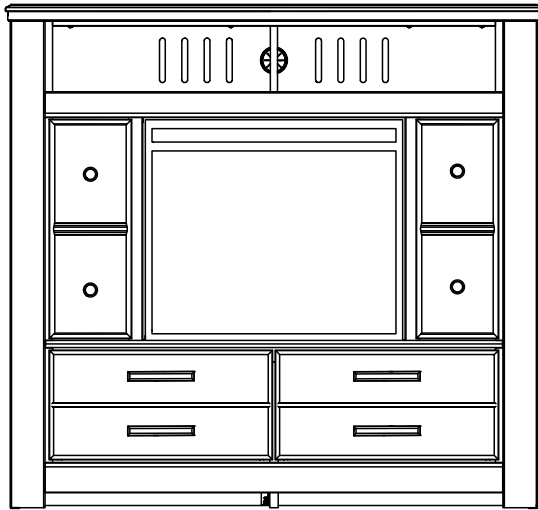
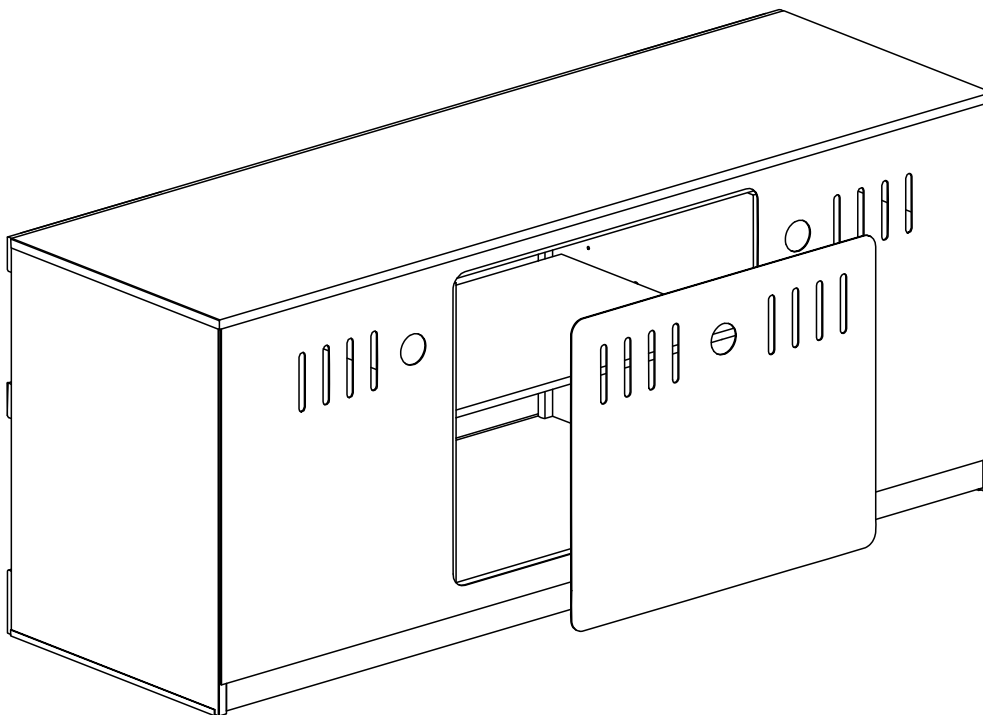


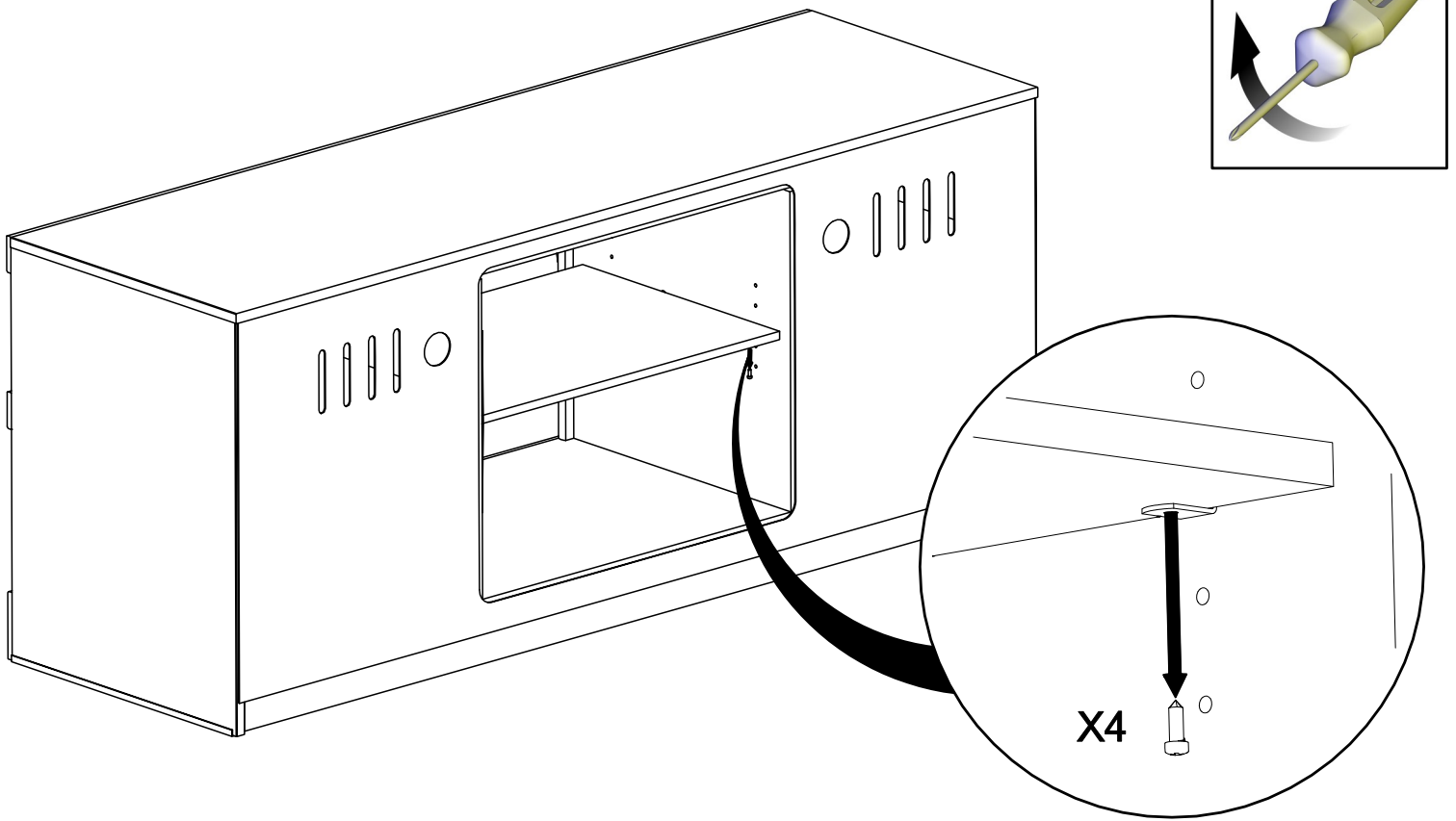
# Assembly Instruction



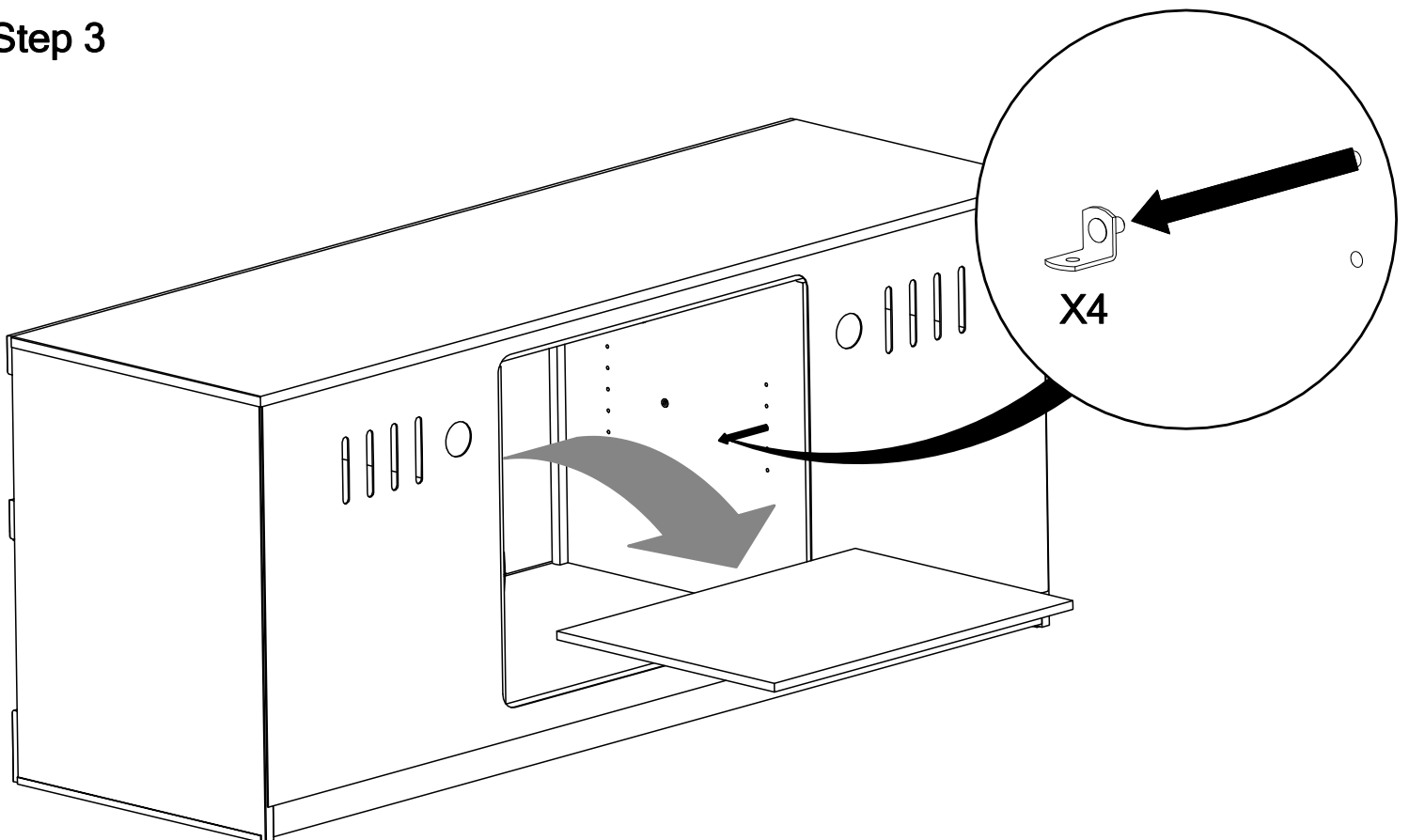
## Step 1



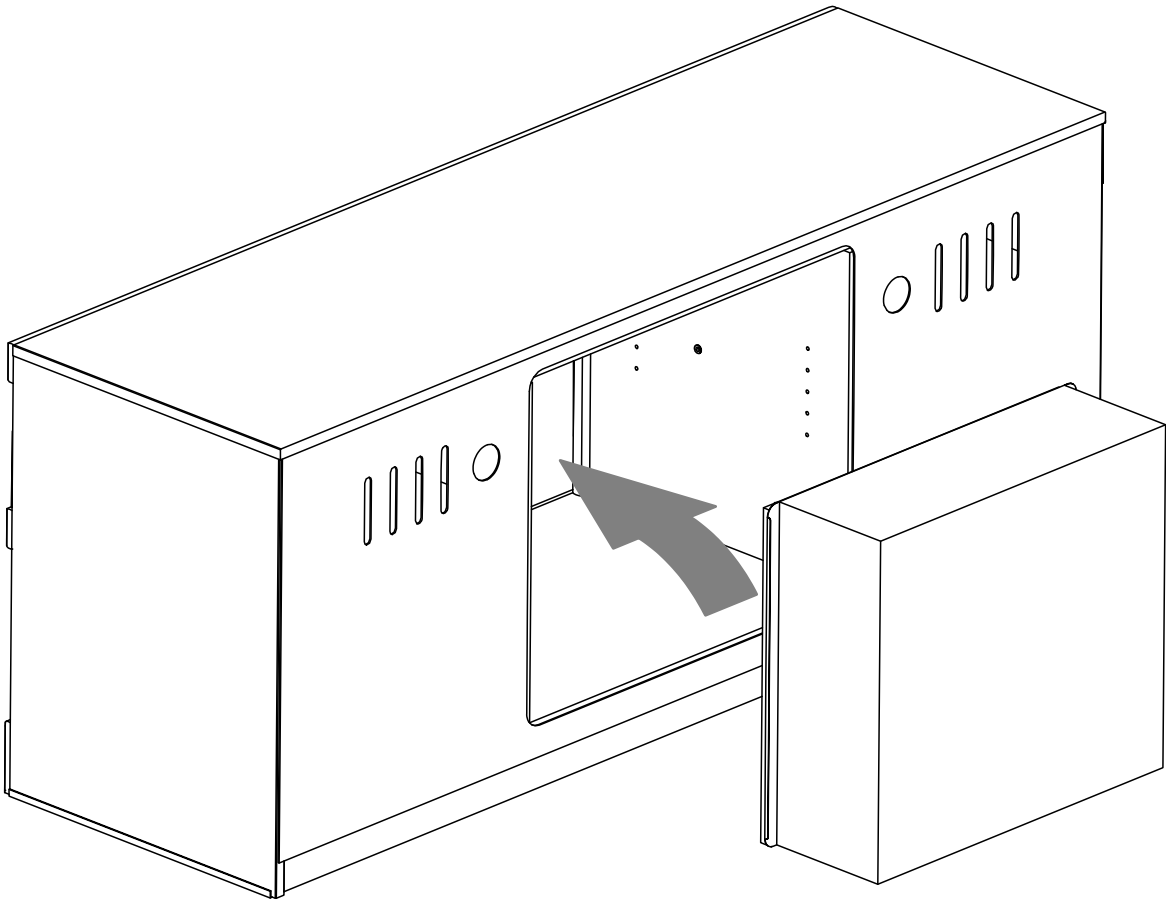
## Step 2



## Step 3



## Step 4



## Step 5

