

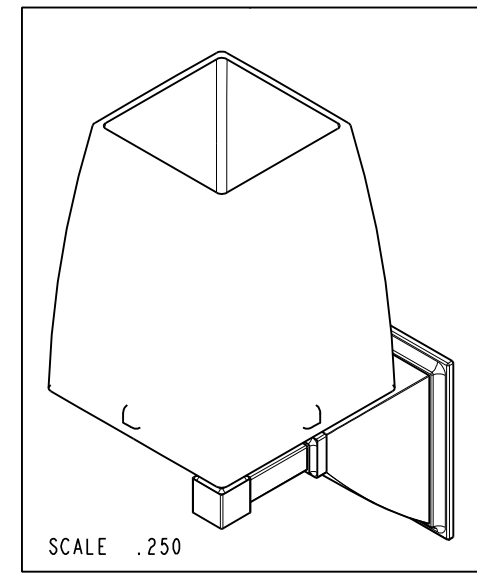
NOTES:

(N1) 1. FIT / FORM / FUNCTION SHALL FOLLOW PS-E.008.



BILL OF MATERIAL (CURRENT LEVEL)

ITEM	PT/ASSY	DESCRIPTION	TYPE	QTY.
1	1881-B	QUATTRO LIGHT BASE	PART	1
2	1881-BA	QUATTRO SINGLE LIGHT POST SUB ASSY	ASSEMBLY	1
3	1881-CB	MOUNTING KIT	ASSEMBLY	1
4	1881-G-50	GLASS SHADE	PART	1
5	92318	SNAP RING, 17MM X 1MM STEEL EXTERNAL	PART	1
6	92389	SCRW, 6-32 X 5/8 FILLISTER HD SLT Zn PLATED	PART	2
7	98006	LABEL, UL LISTED	PART	1
8	98012	LABEL, WALL MOUNT ONLY	PART	1
9	98079	LABEL, MONTH YEAR E222146	PART	1
10	98088	LABEL, MIN 75 C SUPPLY CONDUCTORS	PART	1
11	98101	LABEL, 100 WATTS MAX	PART	1
12	98113	LABEL, PNXXX INCANDESCENT FOR DAMP LOCATIONS	PART	1
13	ML7-20	PORCELAIN LAMPHOLDER	PART	1



TESTING	ASSEMBLY	PLATING	POLISHING	MACHINING	TOOLING FIXTURE #	APPLICATION
-	-	-	-	-		REMOVE ALL BURRS AND SHARP EDGES
-	-	-	-	-		
-	-	-	NEXT ASSY	USED ON		
-	-	-	-	-		

UNITS ARE: INCHES [MM]
 TOLERANCES ARE:
 FRACTIONS DECIMALS ANGLES
 $\pm 1/16"$ $.X \pm .1$ [2.5] $\pm 1^\circ$
 $.XX \pm .06$ [1.5]
 (X.XXX) DENOTES CRITICAL DIMS.
 ALL THREADS ARE CRITICAL
 DRAWN JINSON 08/30/16
 CHECKED RAVINDRA 08/30/16
 APPROVED R.S 08/30/16

BRASSTECH 2001 CARNEGIE AVE.
 INCORPORATED SANTA ANA, CA 92705
 (949) 417-5207

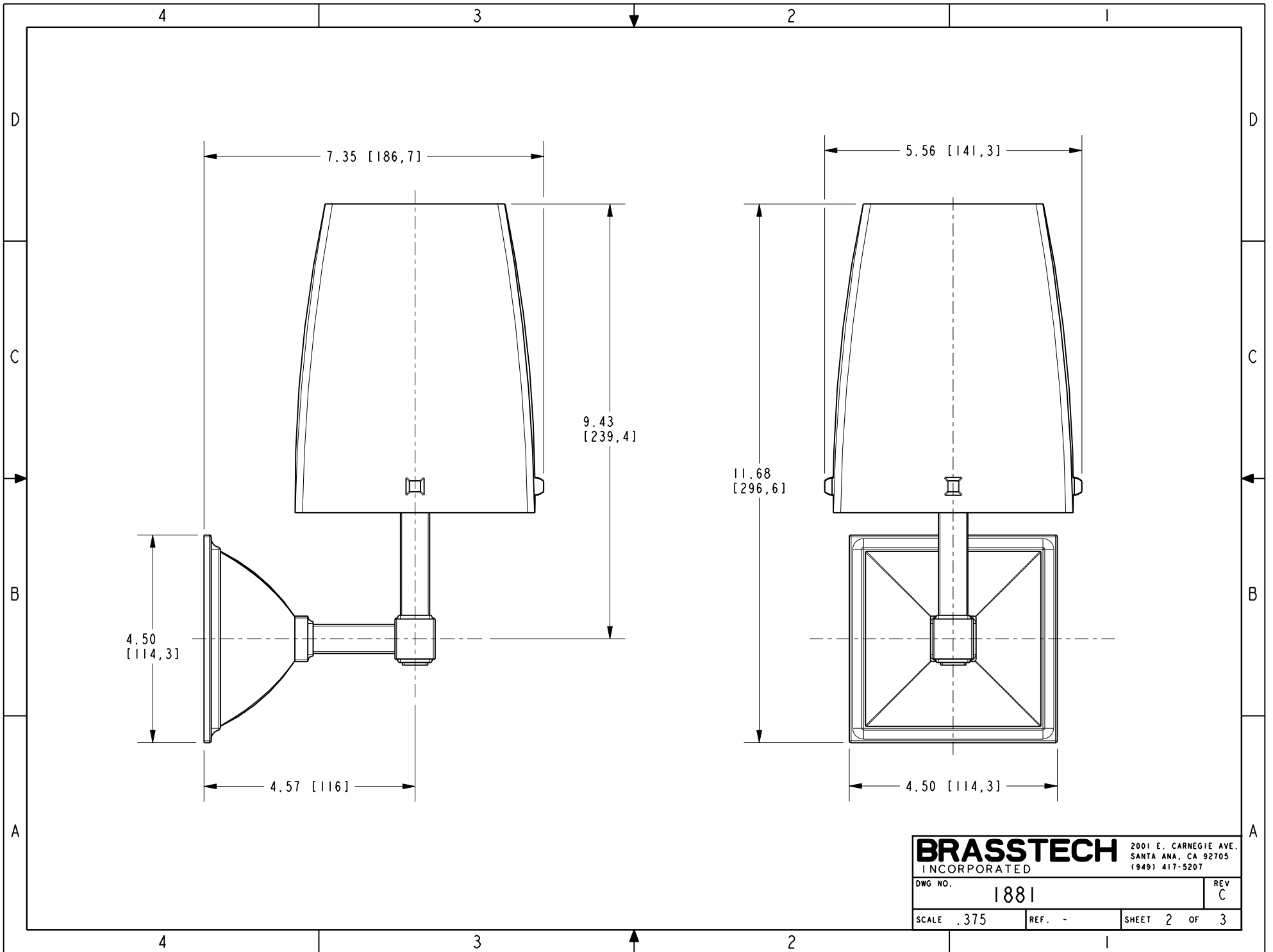
SINGLE LIGHT UP W/ GLASS SHADE

DWG NO. **1881** REV **C**

SCALE .250 REF. - SHEET 1 OF 3

ZONE	REV	DESCRIPTION	DATE	APPROVED
-	C	EN-3127	08/30/16	R.S
-	B	EN-2461	02/22/13	-
-	A	EN-1314	12/23/09	-

COPYRIGHT 2005 BRASSTECH, INC.
 THESE DRAWINGS AND THE DESIGNS
 DEPICTED HEREIN ARE THE PROPRIETARY
 PROPERTY OF BRASSTECH. ANY USE
 OR REPRODUCTION IS SUBJECT TO
 THE EXPRESS APPROVAL OF BRASSTECH.
 UNAUTHORIZED USE IS STRICTLY
 PROHIBITED. ALL RIGHTS RESERVED.



BRASSTECH		2001 E. CARNEGIE AVE.	
INCORPORATED		SANTA ANA, CA 92705	
DWG NO. 1881		REV C	
SCALE .375	REF. -	SHEET 2 OF 3	

