

# ASSEMBLY INSTRUCTIONS

## THE DOUBLE GARDEN PERGOLA & DECKING KIT

Before you commence the assembly process we recommend that you read these instructions thoroughly beforehand to familiarise yourself with the assembly process and to also check that you have the correct components.

We highly recommend that any assembly is carried out on an open flat, level surface if possible with sufficient space. You will also require the assistance of at least 2 adults to complete assembly safely.





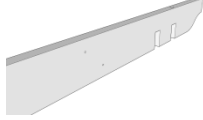

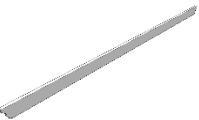
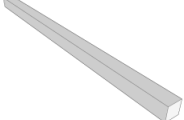
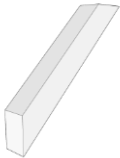
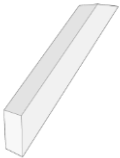
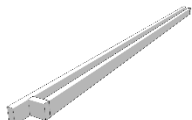
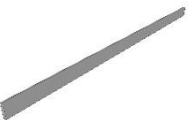
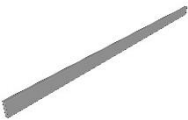
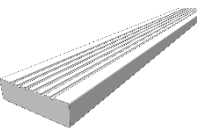
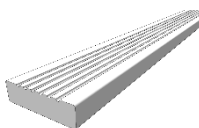
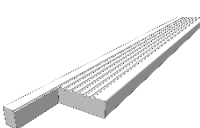
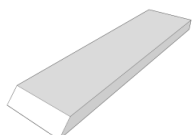
**Please note:** For a free-standing pergola you can remove up to 400mm from the bottom of each post prior to commencing construction.



THE DOUBLE GARDEN PERGOLA AND DECKING KIT

# THE DOUBLE GARDEN PERGOLA & DECKING KIT

## Component List

|                                                                                     |                                                                                     |                                                                                       |                                                                                      |                                                                                       |                                                                                     |
|-------------------------------------------------------------------------------------|-------------------------------------------------------------------------------------|---------------------------------------------------------------------------------------|--------------------------------------------------------------------------------------|---------------------------------------------------------------------------------------|-------------------------------------------------------------------------------------|
| <b>Tools required:</b>                                                              |                                                                                     | 10mm socket, No2 Pozidriv screwdriver (or electric driver) , step ladder or platform. |                                                                                      |                                                                                       |                                                                                     |
| 75mm green woodscrews                                                               | 65mm green woodscrews                                                               | 120mm coachscrews                                                                     | 70mm coachscrews                                                                     | 4 x Pre-drilled end Rafters                                                           | Rafters                                                                             |
|    |    |      |     |    |  |
| 4 x Runners                                                                         | 4 x Posts                                                                           | 4 x 650mm Braces                                                                      | 4 x 750mm Braces                                                                     | 2 x Base frame                                                                        | Edge joists (with pencil marks)                                                     |
|    |    |      |     |    |  |
| Infill joists                                                                       | Deck slats                                                                          | Upstand deck slats x 4                                                                | Post deck slats                                                                      | 16 x Cladding panels (Optional)                                                       |                                                                                     |
|  |  |    |  |  |                                                                                     |

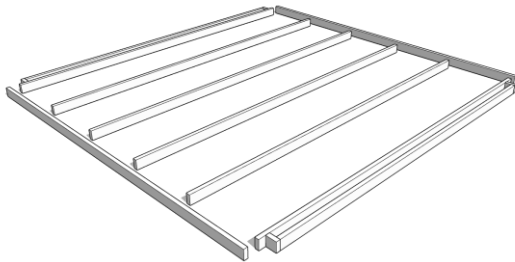
If you have ordered your pergola with a roof slope please refer to the charts below for guidance of the difference in length that you will need to cut your posts to accommodate the slope.

| 5°                |                  |
|-------------------|------------------|
| Rafter length (M) | Height diff (mm) |
| 1.8               | 89               |
| 2.4               | 142              |
| 3                 | 194              |
| 3.6               | 246              |
| 4.2               | 299              |
| 4.8               | 351              |

| 10°               |                  |
|-------------------|------------------|
| Rafter length (M) | Height diff (mm) |
| 1.8               | 178              |
| 2.4               | 282              |
| 3                 | 386              |
| 3.6               | 491              |
| 4.2               | 595              |
| 4.8               | 699              |

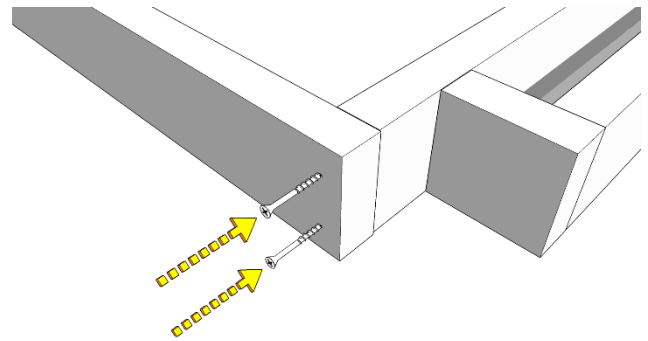
# THE DOUBLE GARDEN PERGOLA & DECKING KIT

## Step 1



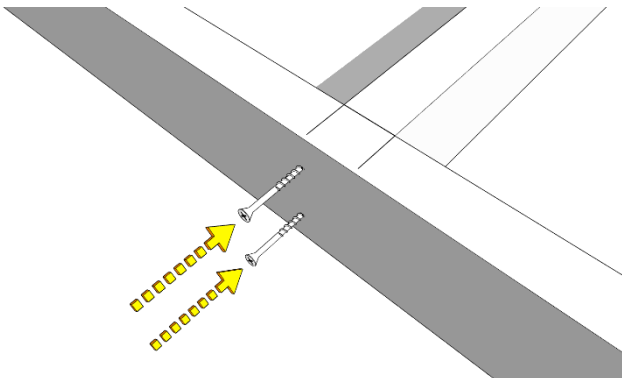
Select an area for your decking that is stable, firm and level. Layout the 2 x Base frame assemblies and 2 x Edge joists in a rectangle and then place the remaining infill joists roughly in place as shown here.

## Step 2



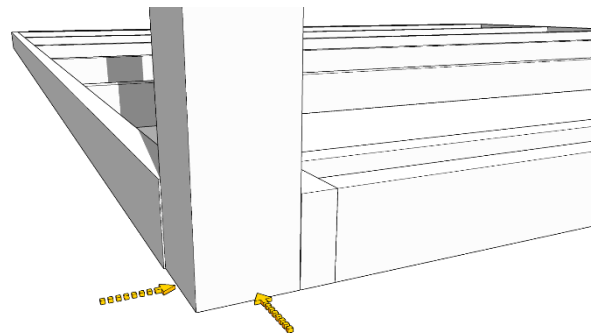
Attach the edge joists to the base frame assemblies using 2 x 75mm screws in the pre-drilled holes, making sure that the ends are flush and everything is square. Repeat for all 4 corners.

## Step 3



Line up the ends of each infill joist end with the markings on the edge joists, making sure the top faces are also flush, before screwing each end into place with 2 x 75mm green screws. Add the remaining joists to complete the frame for the decking.

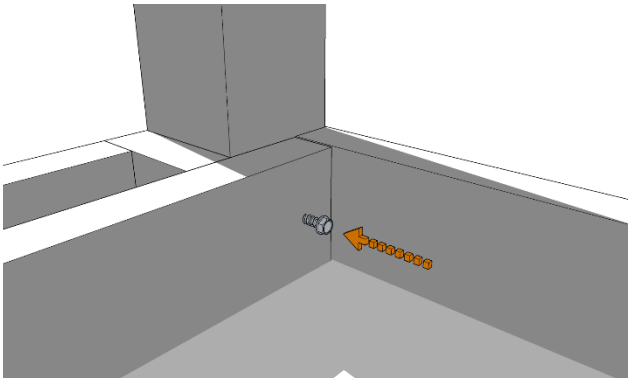
## Step 4



Get an assistant to hold the first post in place, housing it in the pocket formed where the base frame assembly and edge pieces meet.

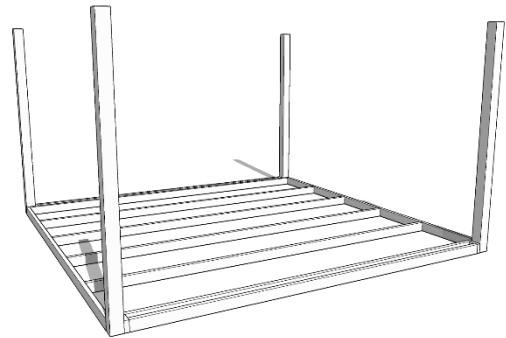
# THE DOUBLE GARDEN PERGOLA & DECKING KIT

## Step 5



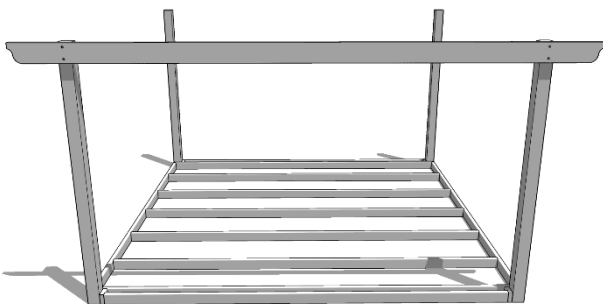
Secure the post in place with a 70mm coach screw through the Base frame assembly into the post as shown here.

## Step 6



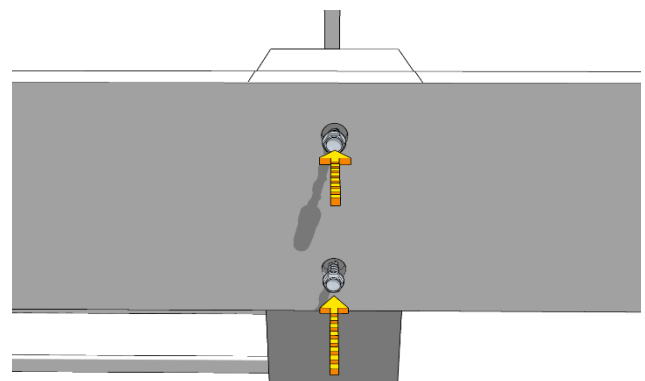
Attach the remainder of the posts so you now have one in each corner.

## Step 7



Have an assistant (or even two) help you lift one of the runners (note the multiple notches) so that the face with the countersinks is outer most, the top is level with the posts and the marks on the top edge align either side of the post...

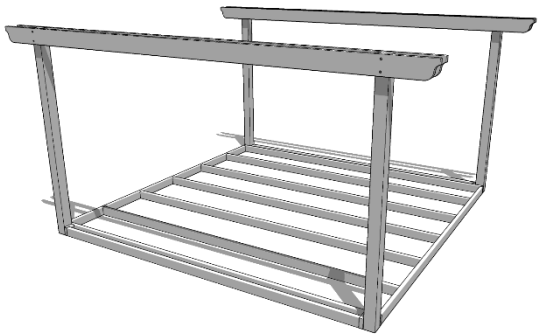
## Step 8



...before securing each end into place with 2 x 70mm coachscrews.

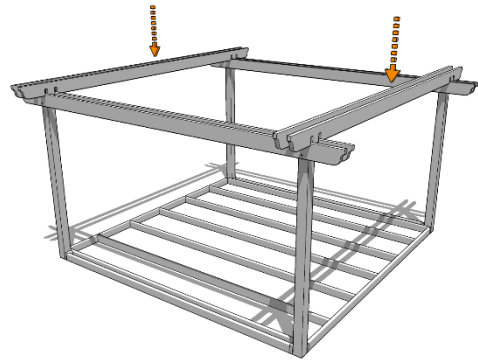
# THE DOUBLE GARDEN PERGOLA & DECKING KIT

## Step 9



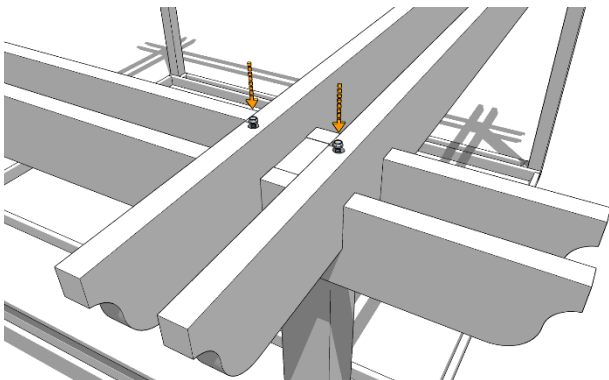
Attach a second runner to the other side of the posts from the first runner as you did in Steps 7-8. Then add the remaining runners to the final 2 posts.

## Step 10



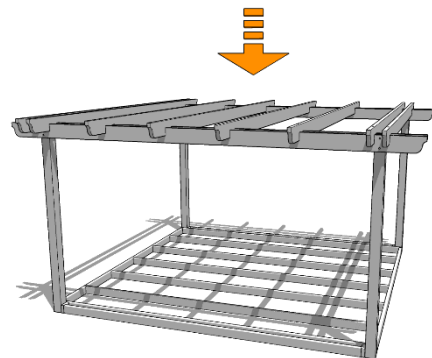
Drop the pre-drilled outer rafters into the slots on either side of the posts as shown above.

## Step 11



Ensure the rafter is against the post and secure each one in place with a 120mm coachscrew driven down into the runner at each end.

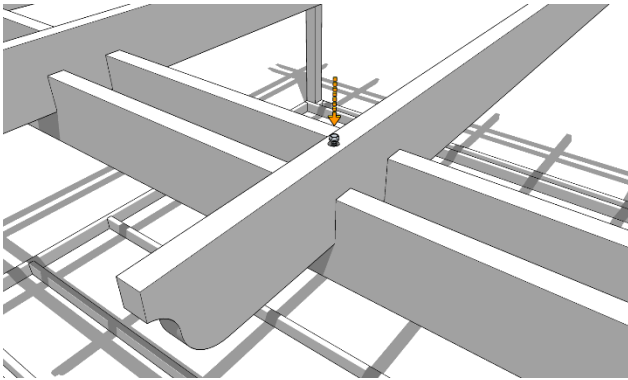
## Step 12



Now lower the plain rafters onto the runners, locating the correct position by using the marks on the runner top edge...

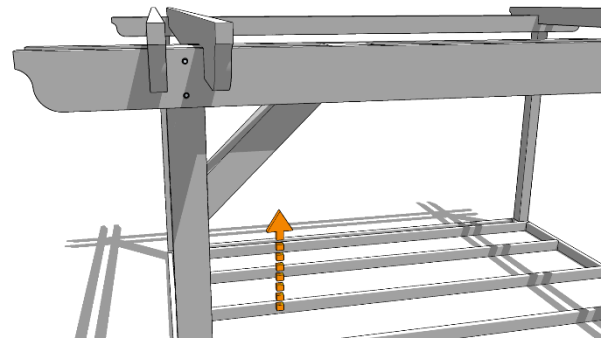
# THE DOUBLE GARDEN PERGOLA & DECKING KIT

## Step 13



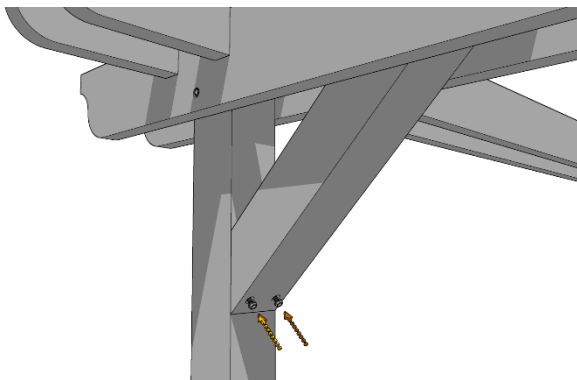
... securing them as before with a pair of 120mm coachscrews.

## Step 14



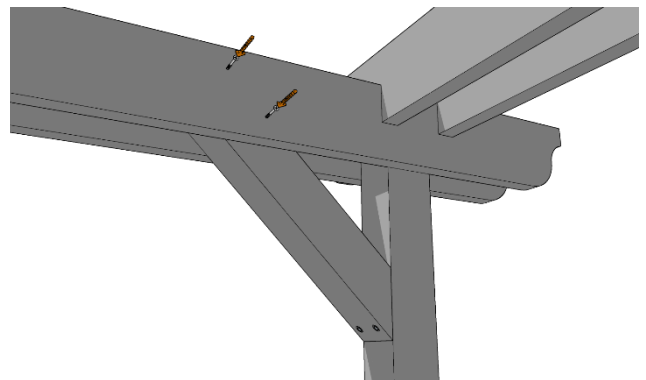
Slide a 650mm brace up between the rafters/runners so that one end is flat against the post and the other is flush with the top edge of the rafter/runners.

## Step 15



Fix the bottom end in place with 2 x 70mm coachscrews into the post..

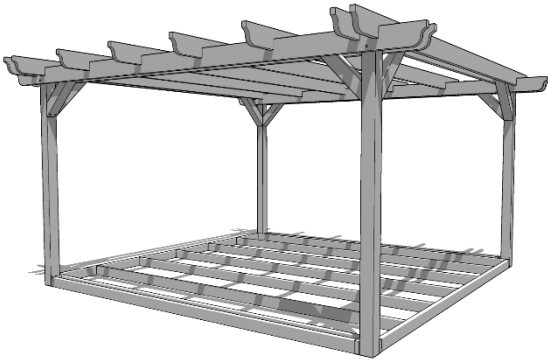
## Step 16



...and the top end with two x 75mm screws as shown.

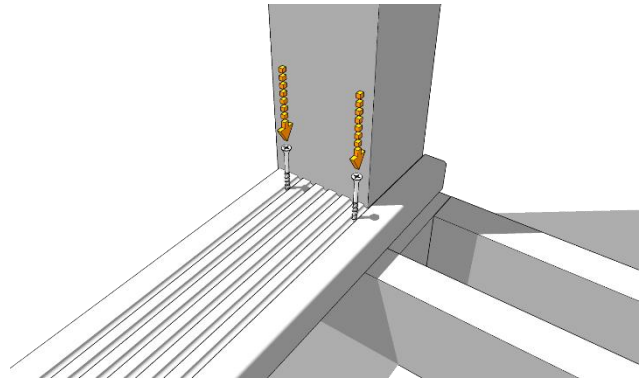
# THE DOUBLE GARDEN PERGOLA & DECKING KIT

## Step 17



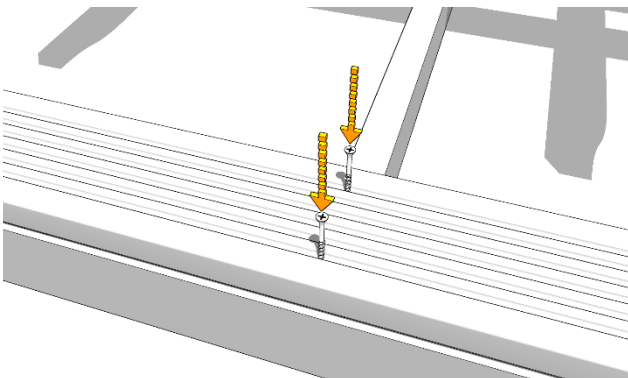
Repeat Steps 14-16 and add the remaining braces taking care to use 650mm braces on the runner sides and 750mm braces on the rafters.

## Step 18



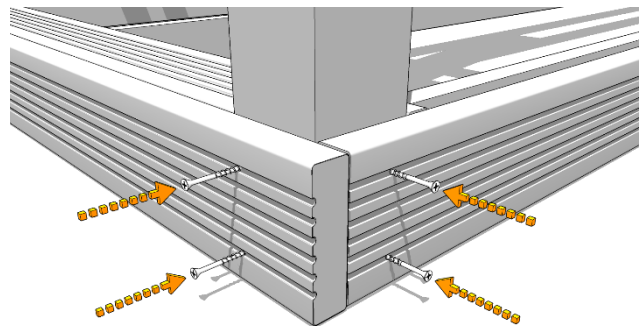
Place one of the Post deck slats so that it runs post to post, perpendicular to the deck frame joists. Make sure the edge is flush with the outer edge of the frame before securing each end in place with 2 x 65mm screws.

## Step 19



Find the most central joist and, having checked the edge of the deck slat is flush with the frame edge (push/pull the slat into place if required) secure in place with 2 x 65mm screws into the joist. Attach the second Post deck slat to the opposite side of the base in the same way.

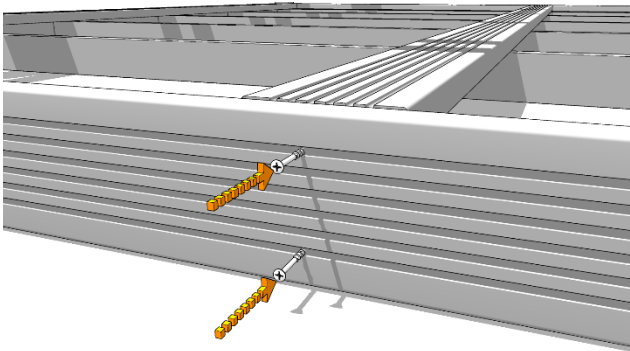
## Step 20



Now arrange the upstand edge decking pieces around the perimeter of the base (note how the longer pieces run parallel to the Post deck slats from the previous Step). Fix the end of each piece into place at each post with 2 x 65mm screws as shown here.

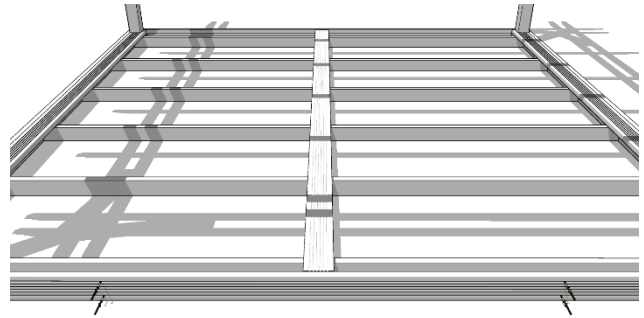
# THE DOUBLE GARDEN PERGOLA & DECKING KIT

## Step 21



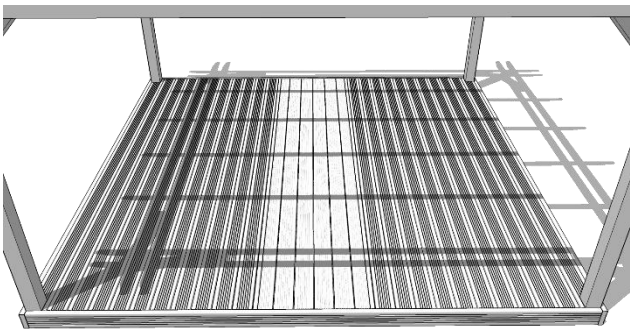
Lay one of the deck slats across the base, perpendicular to the joists. Make sure this slat is sitting on the base framework correctly and use this as a guide to ensure the centre of the upstand piece is flush with deck. Push/pull the upstand up or down if necessary before fixing it into place with 2 x 65mm coachscrews.

## Step 22



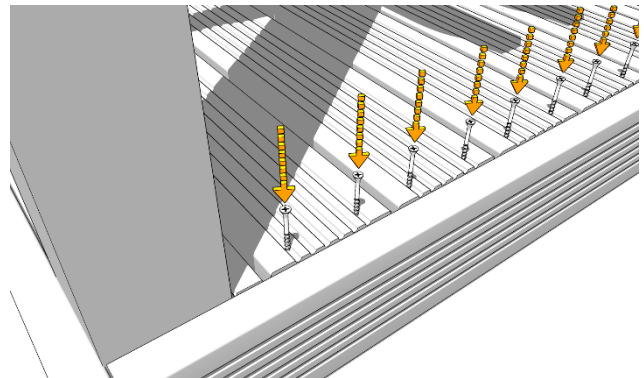
Half way between the post and the frame centre add further intermediate screws to finish securing the upstand edge slats in place. Attach the remaining upstand edge slats using the procedures in Steps 20-22 (rotate the deck piece across the base through 90° as necessary).

## Step 23



Lay out all of the decking pieces across the infill joists and adjust until you have them evenly spaced across the base.

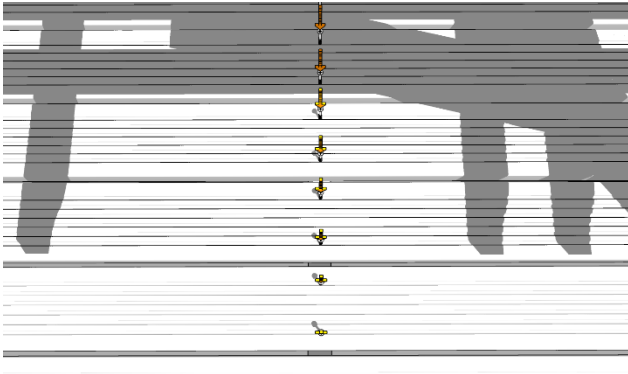
## Step 24



Fix both ends of every slat down with 2 x 65mm screws.

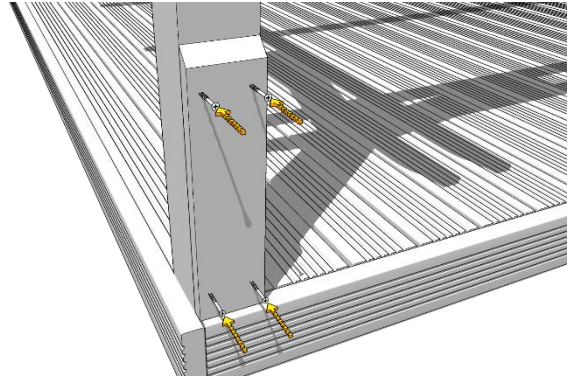
# THE DOUBLE GARDEN PERGOLA & DECKING KIT

## Step 25



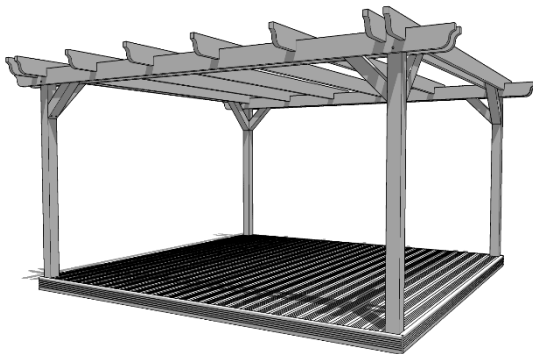
Locate the each of the infill joists by looking through the gaps in between the slats and secure every decking slat to each infill joist with a pair of 65mm screws.

## Optional



If you have ordered optional cladding - Attach four cladding panels to each post by aligning with the post, bevelled face uppermost, and secure in place with 4 x 65mm screws .

## Step 27



Your Double Garden Pergola and Decking Kit is now complete.

WE HOPE THAT YOU FOUND YOUR PRODUCT QUICK AND EASY TO ASSEMBLE