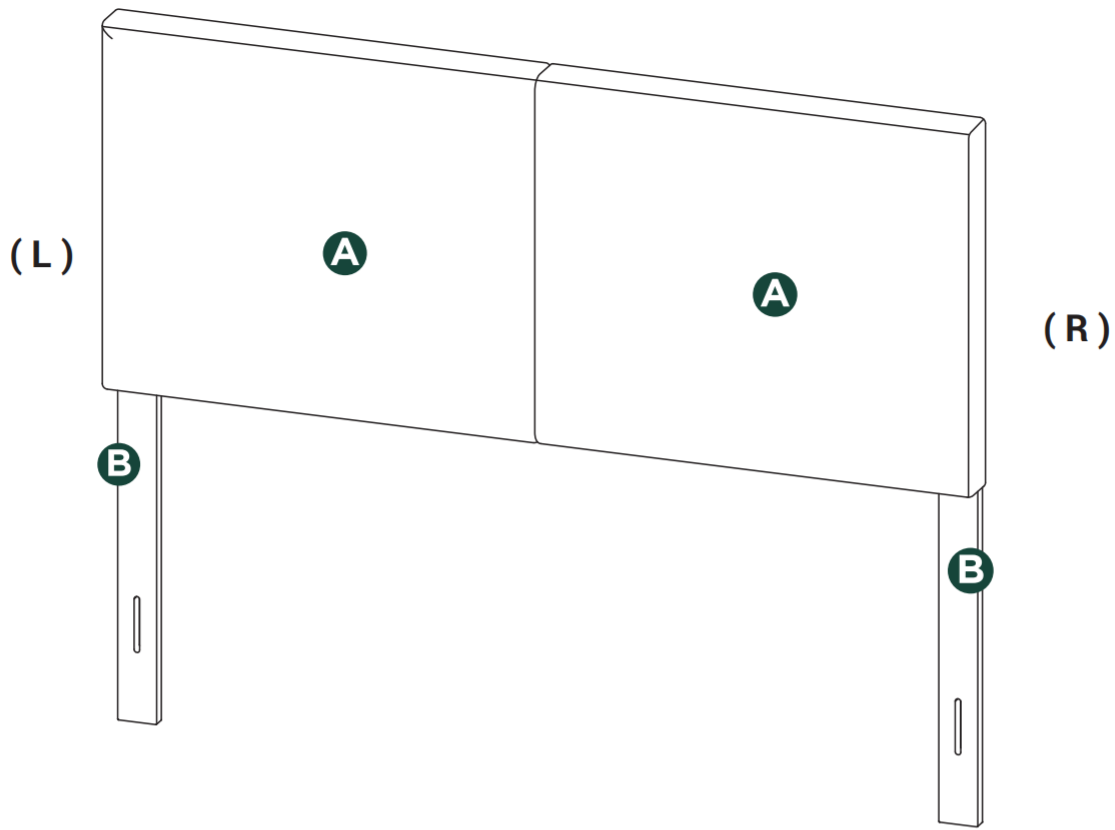


52203

Full Size/ Queen Size/ King Size Headboard

Revision Number: 01

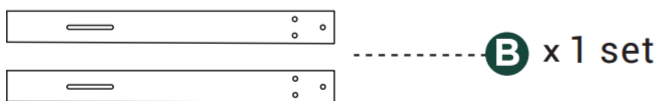
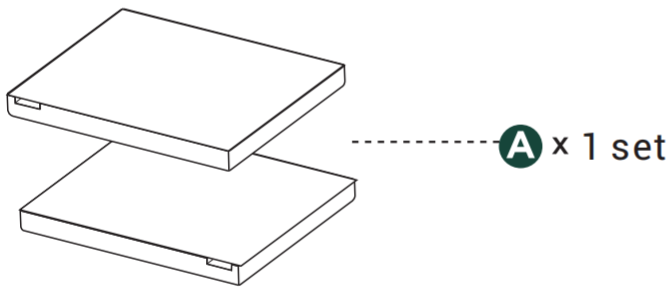
E1340508, E1340515, E1340522
E1340550, E1340557, E1340564
E1340592, E1340599, E1340606



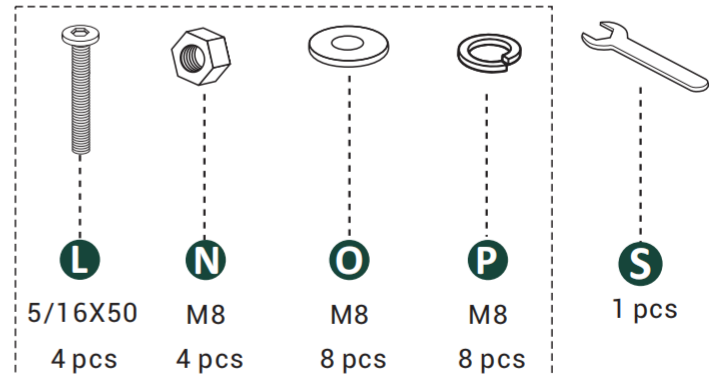
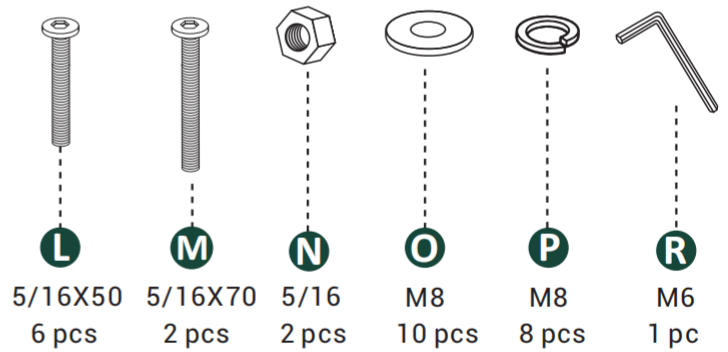
Revision Number: 01

Headboard

Components



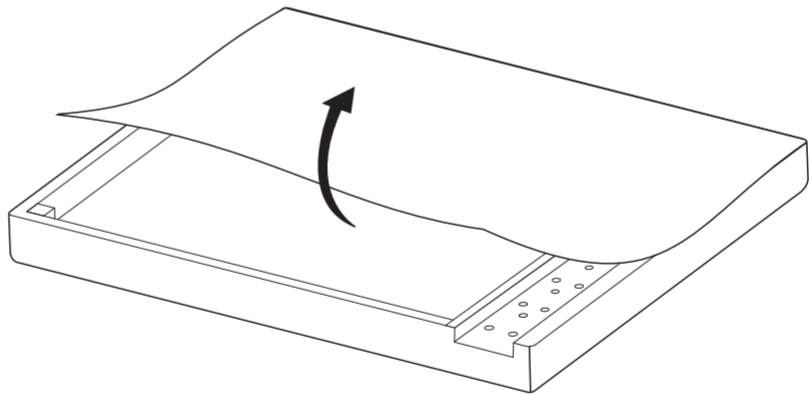
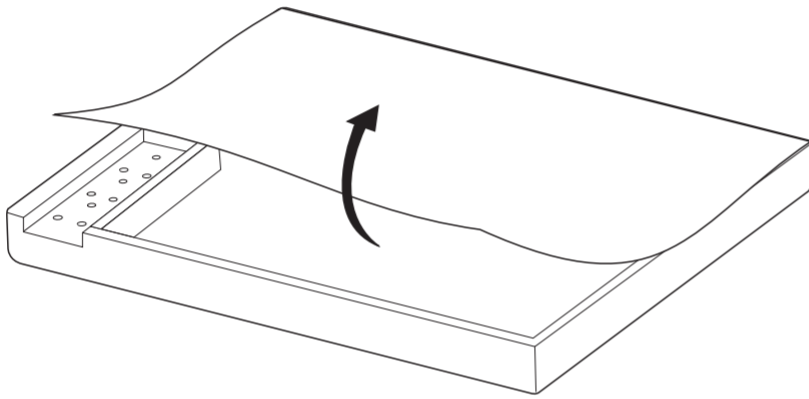
Hardware



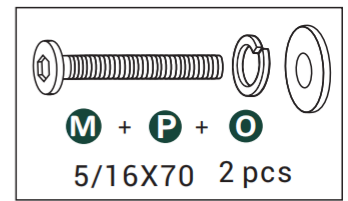
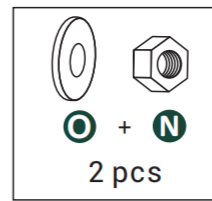
Note: Hardware to assemble to bed frame.

CAUTION: When placing furniture on non-carpeted flooring, we recommend the use of floor protection such as an area rug or furniture pads. Area rugs and padding not included with purchase.

Remove parts from headboard compartments



1.



Attach (P) and (O) washers to (M) bolts to connect two parts of headboard (A) together. Hold bolts (M) steady with Allen key (R). Attach washers (O) and nuts (N) to the end of bolts (M), then tighten nuts (N) with wrench (S).

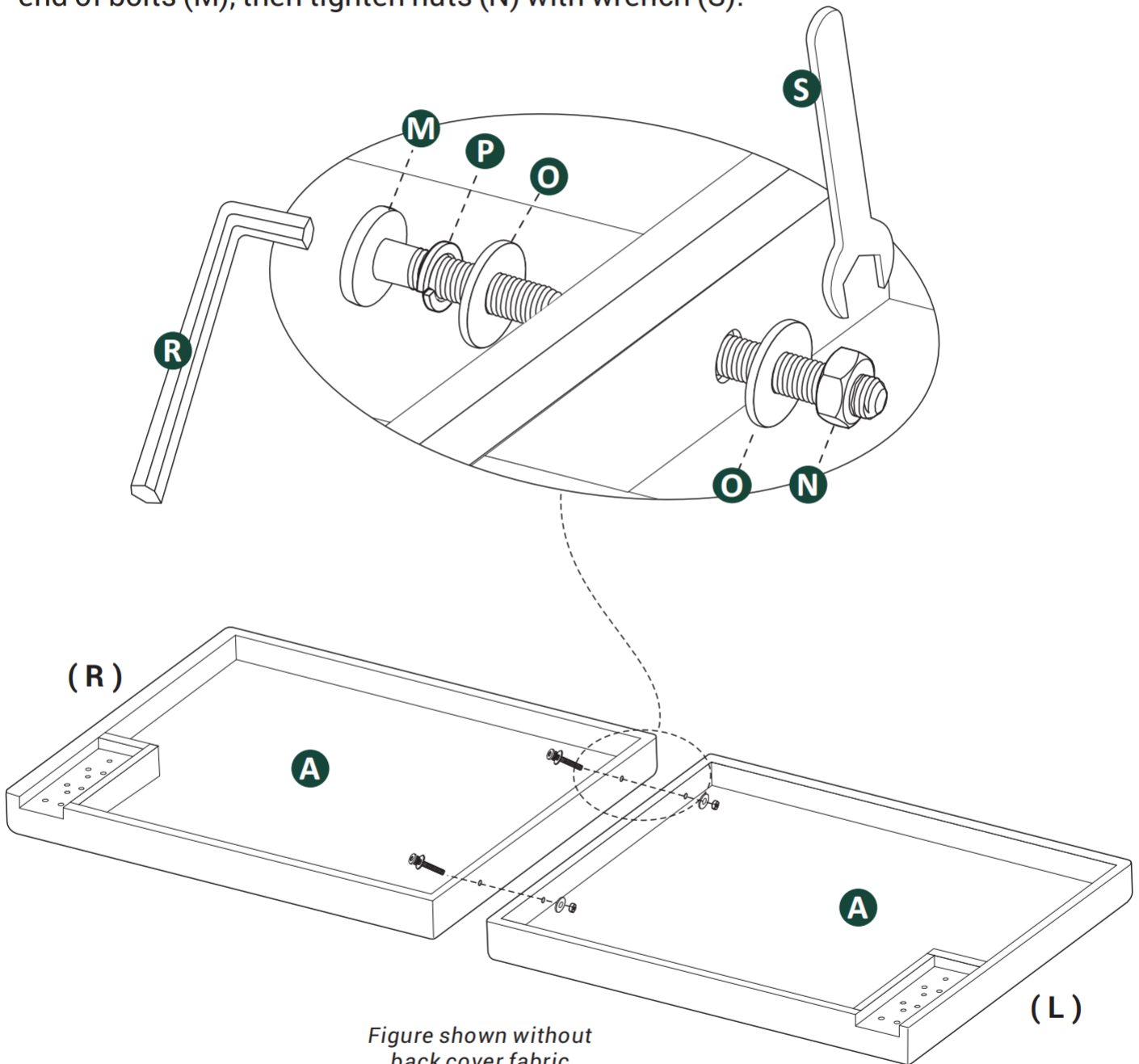
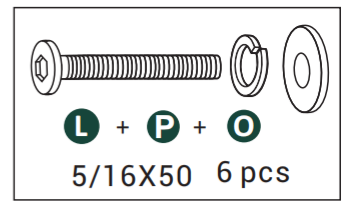
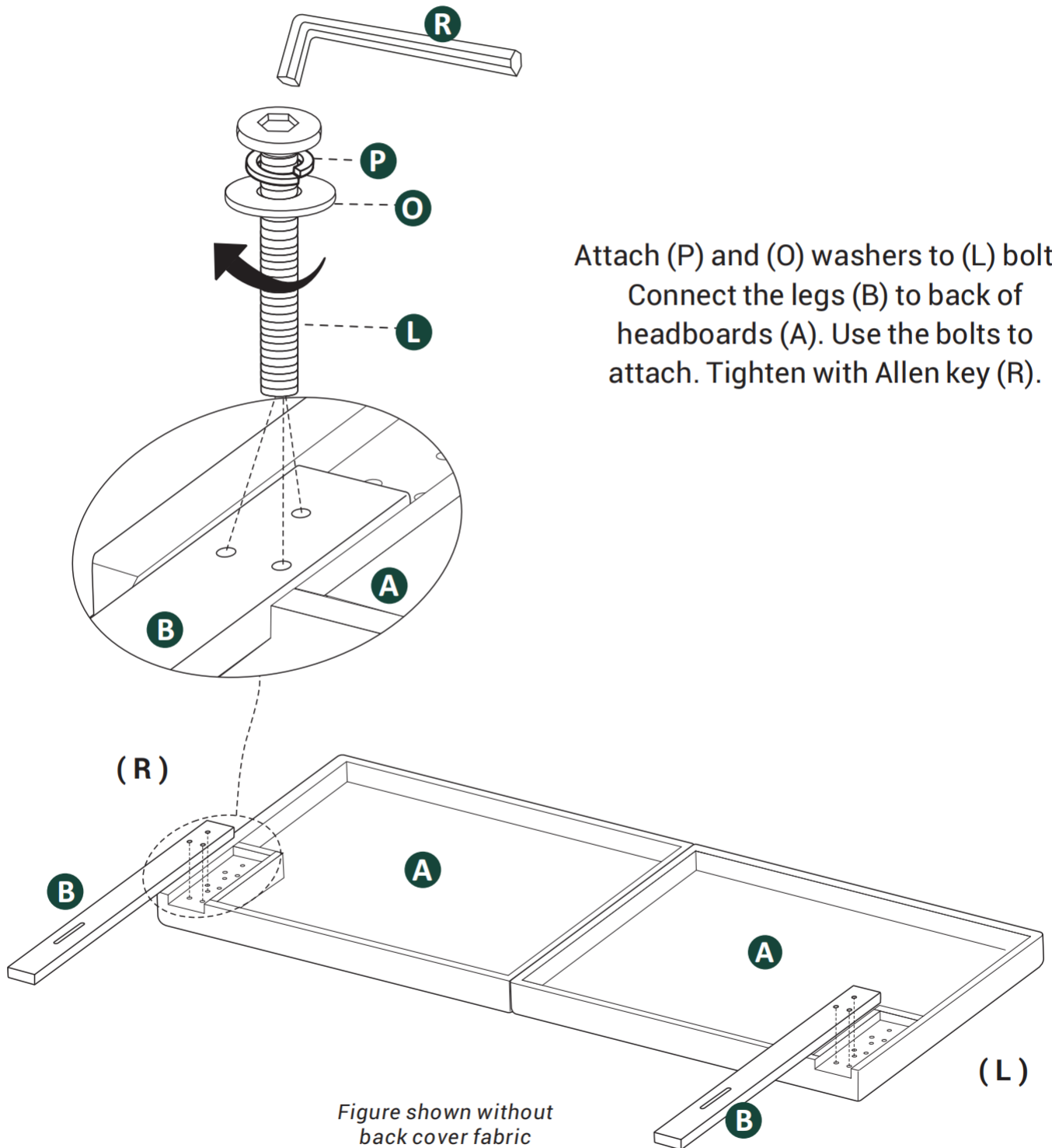


Figure shown without back cover fabric

2.



Note: Headboard height can be adjusted to 3 positions.
Use upper holes for a thin mattress or lower holes for a thick mattress.
Select the proper position for your desired bed height.



- 3.** Attach (P) and (O) washers to bolts (L). Hold the bolts (L) steady with the Allen key (R). Attach (O) washers and (N) nuts to the other side of the bolts as shown below. Tighten the nuts (N) against the bed frame bracket with the wrench (S). (Bed frame is not included.)

