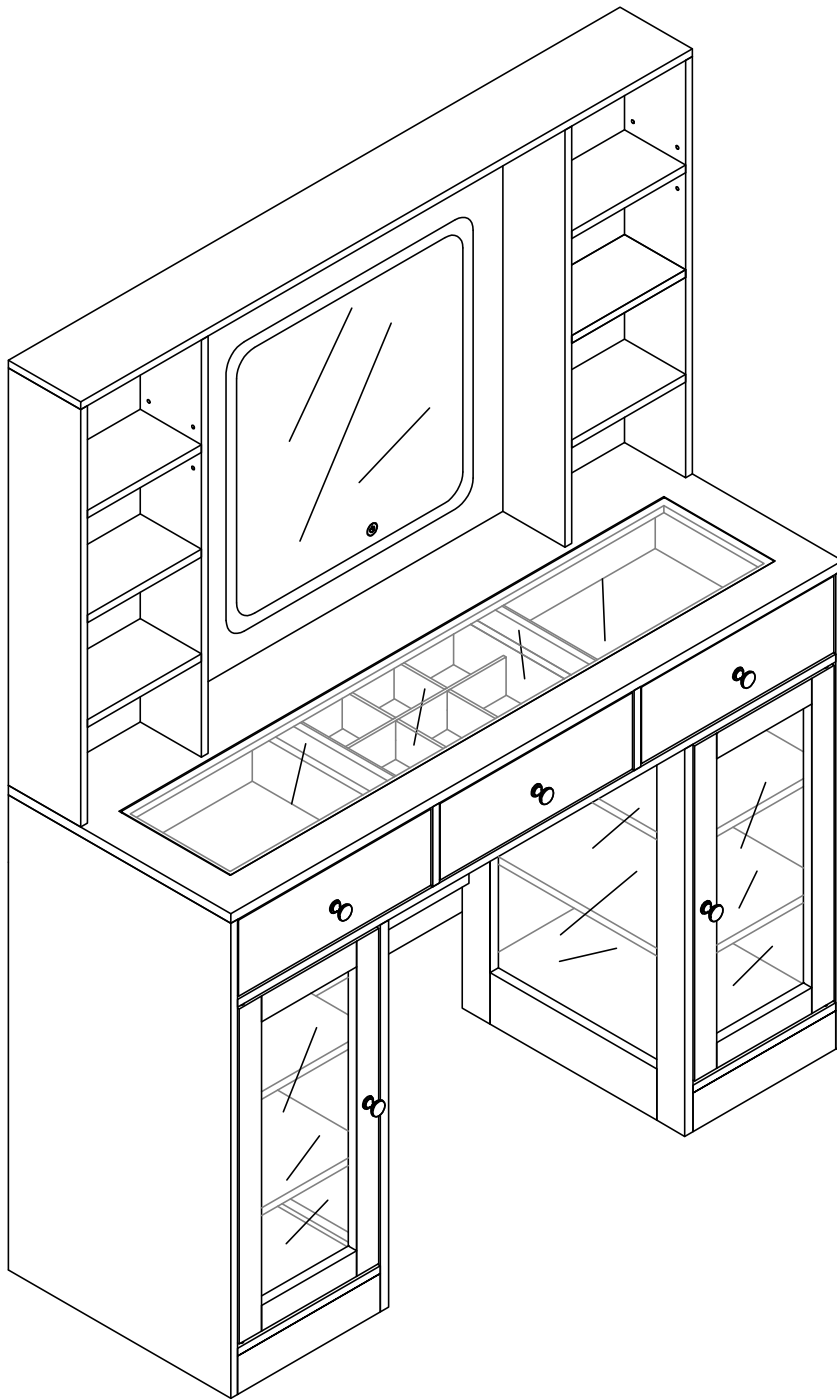
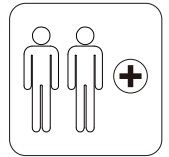
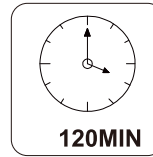
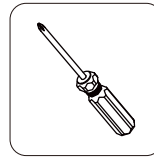
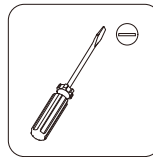


Installation & Assembly

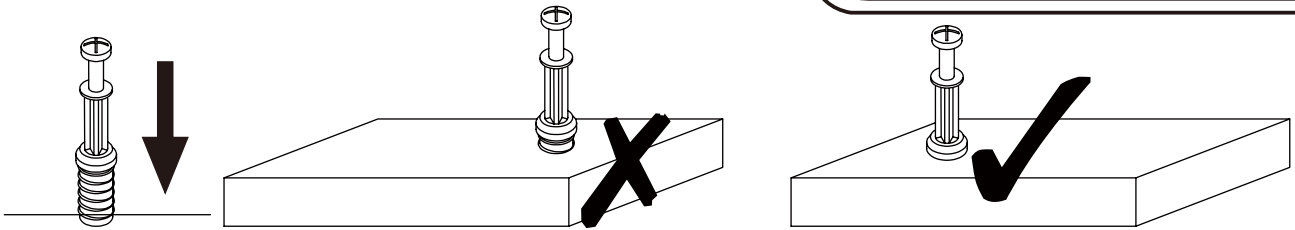


Version:1.0

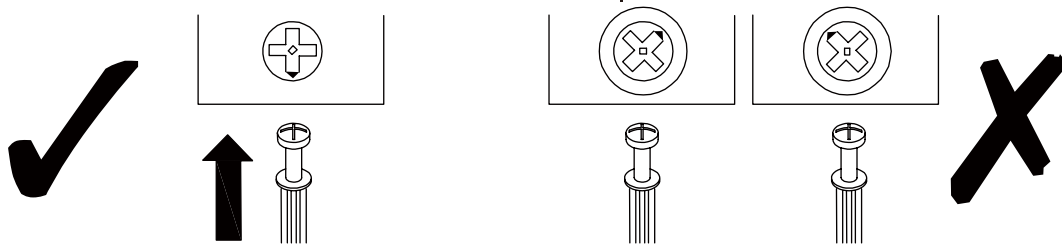


EN_IMPORTANT, RETAIN FOR FUTURE REFERENCE: READ CAREFULLY.

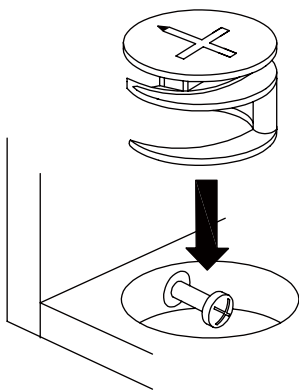
USING CAM LOCK AND QUICKFIT



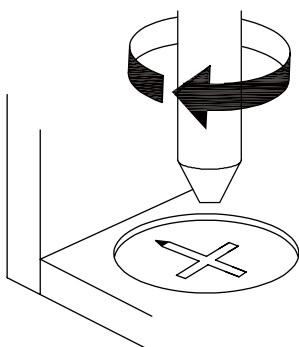
EN_QUICKFIT: Tighten quickfit until shoulder is flush with panel. Do not overtighten or undertighten.



EN_CAM LOCK: When fitting cam lock, ensure starting position is correct before you insert connecting quickfit.



EN_Quickfit head should be in the centre of the cam lock when the two panels are joined.
Cam lock should be inserted before quickfit.

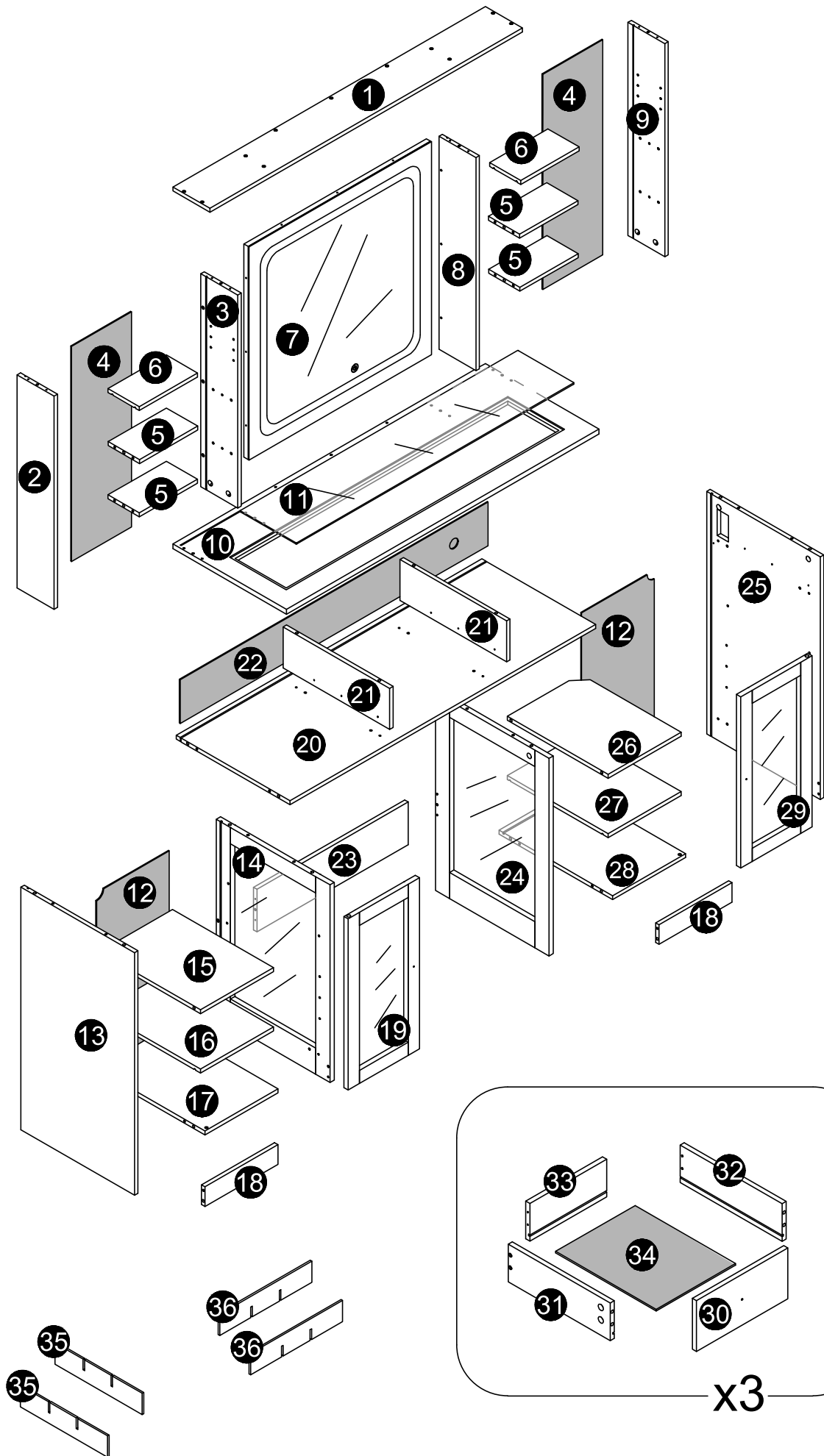





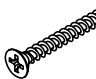

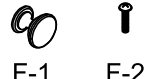






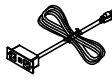




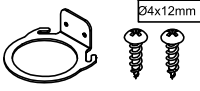
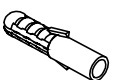
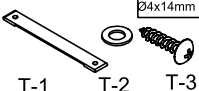
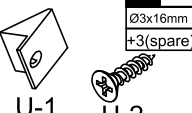
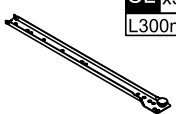


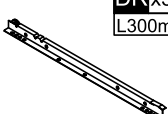
EN_Turn cam lock clockwise to tighten.

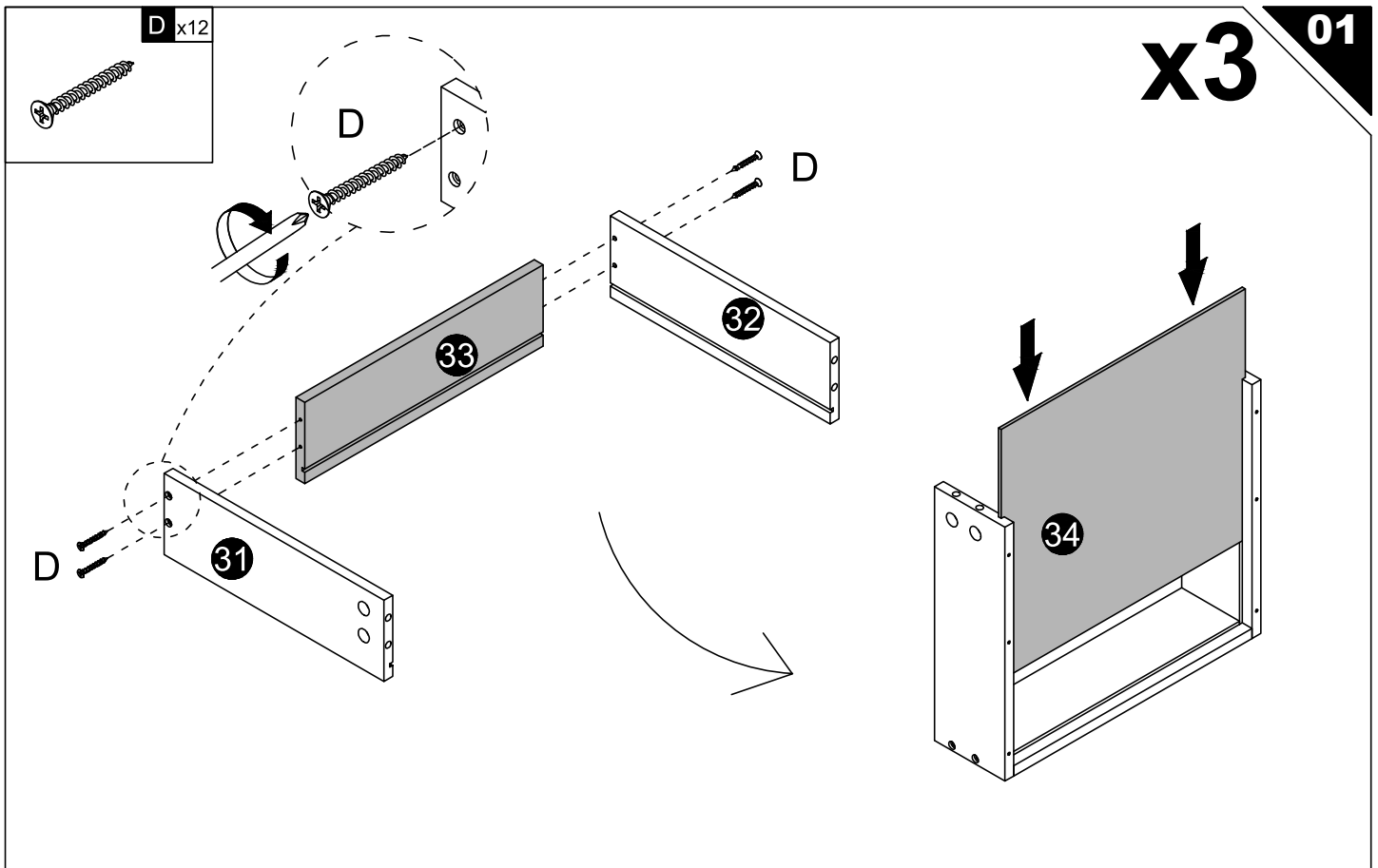
PACKING DELALS

NO.	PARTS	QTY	SPARE
①		x1	
②		x1	
③		x1	
④		x2	
⑤		x4	
⑥		x2	
⑦		x1	
⑧		x1	
⑨		x1	
⑩		x1	
⑪		x1	

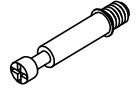



NO.	PARTS	QTY	SPARE
⑫		x2	
⑬		x1	
⑭		x1	
⑮		x1	
⑯		x1	
⑰		x1	
⑱		x2	
⑲		x1	
⑳		x1	
㉑		x2	
㉒		x1	

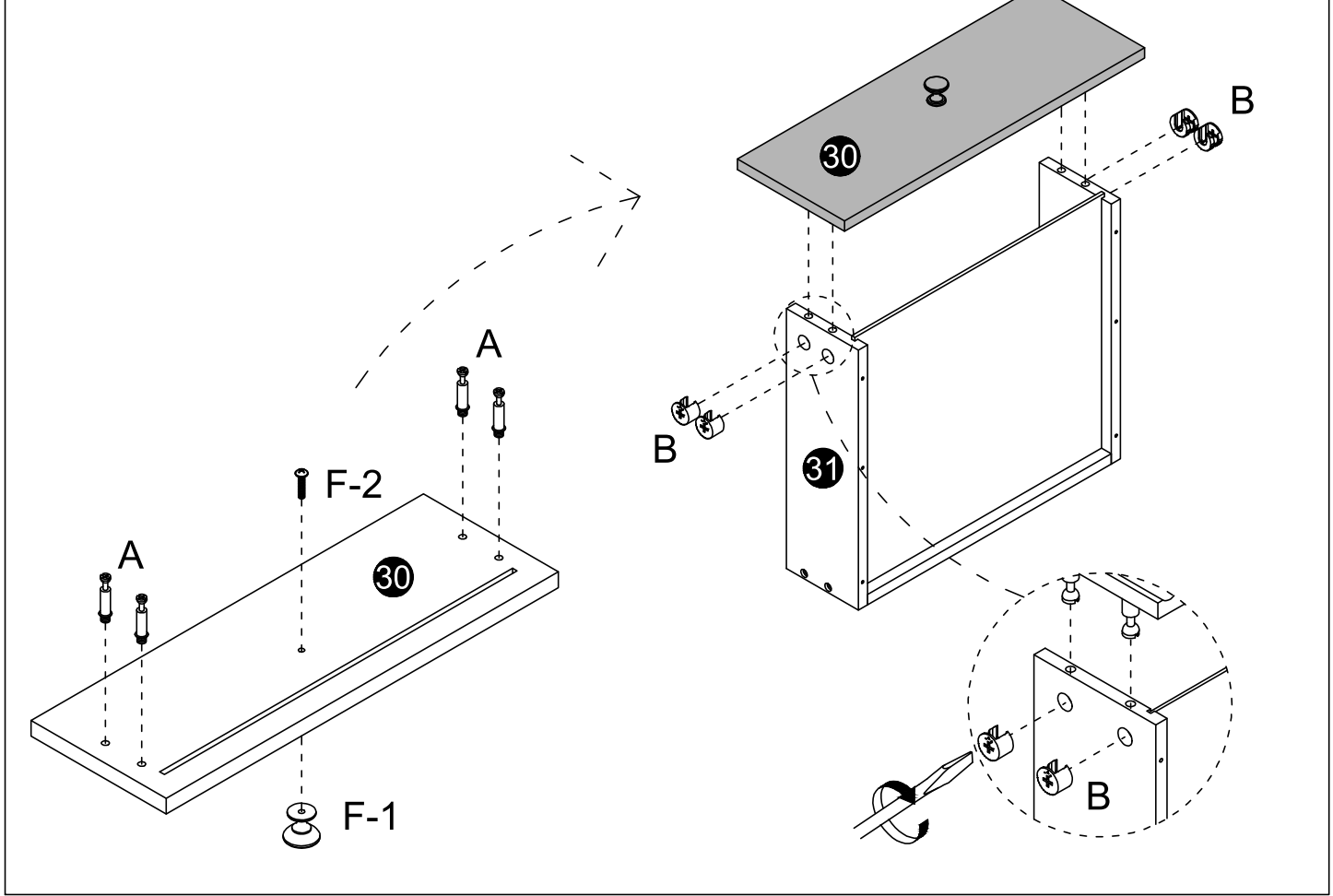


 A x67 Ø6x35mm +3(spare)	 B x67 Ø15x10mm +3(spare)	 C x54 Ø6x30mm +5(spare)	 D x39 Ø4x35mm +3(spare)	 E x36 Ø3.5x12mm +3(spare)	 F x3 F-1 F-2
 G x2 Ø3x14mm G-1 G-2	 H x16	 I x2 Ø3.5x12mm I-1 I-2	 J x4	 K x2 K-1 K-2	 L x2 Ø3.5x12mm
 M x1	 N x1	 O x1	 P x19 +1(spare)	 Q x7 Ø4x12mm Q-1 Q-2	 R x1 Ø4x12mm R-1 R-2
 S x2	 T x2 Ø4x14mm T-1 T-2 T-3	 U x22 Ø3x16mm +3(spare) U-1 U-2			
 CL x3 L300mm	 CR x3 L300mm	 DL x3 L300mm	 DR x3 L300mm		


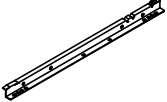



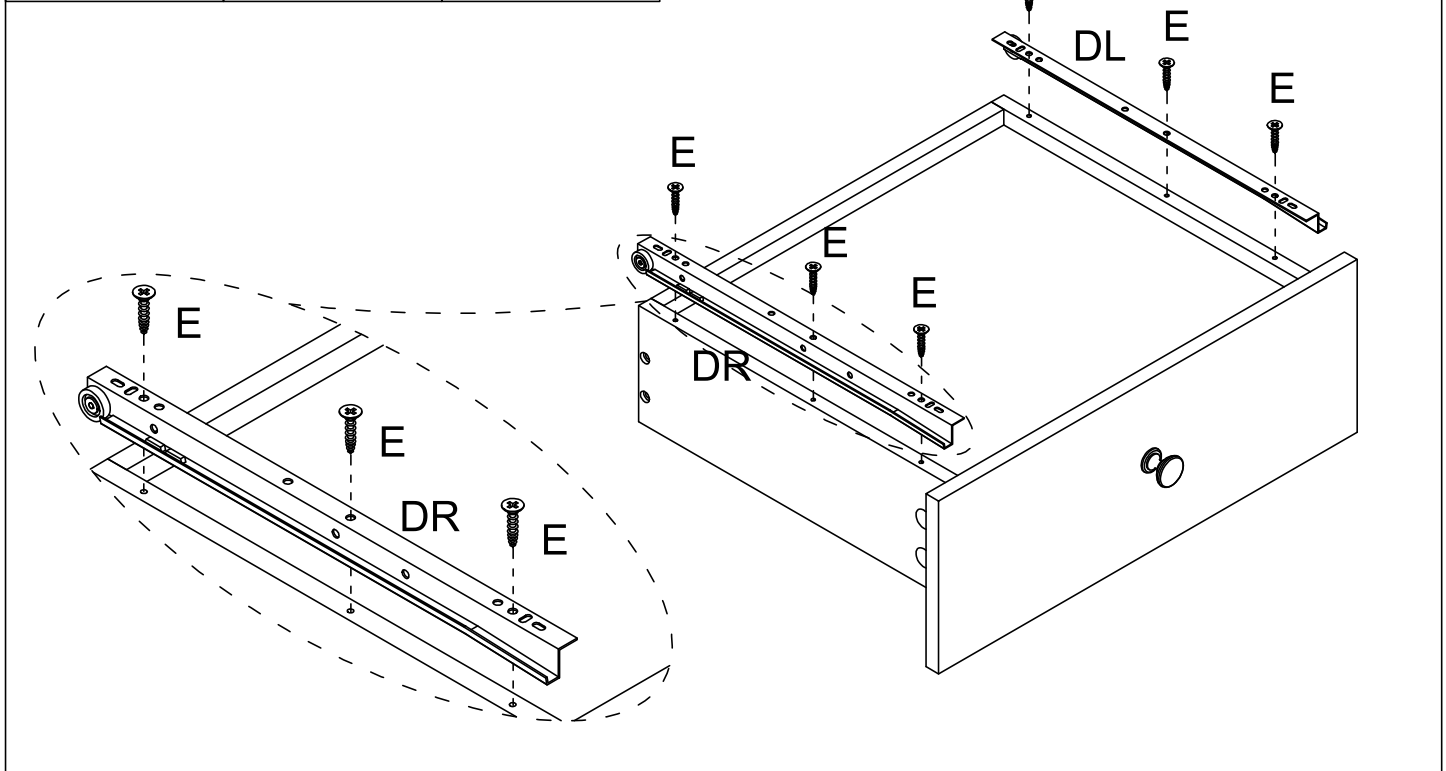
x3

<p>A x12</p> 	<p>B x12</p> 	<p>F x3</p> <p>F-1 </p> <p>F-2 </p>
---	---	--



x3

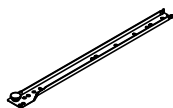
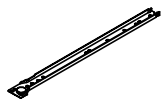
<p>E x18</p> 	<p>DL x3</p> 	<p>DR x3</p> 
---	---	---



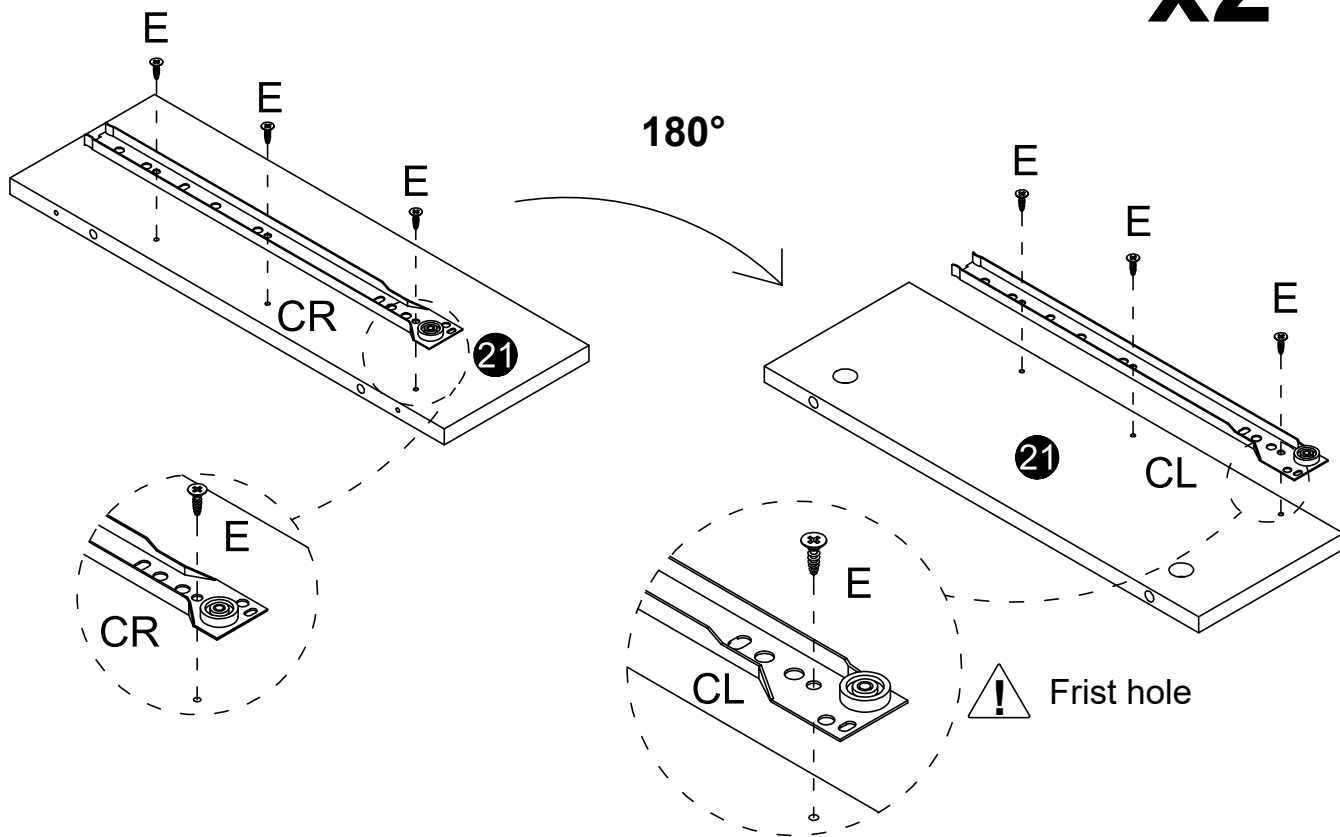
E x12

CL x2

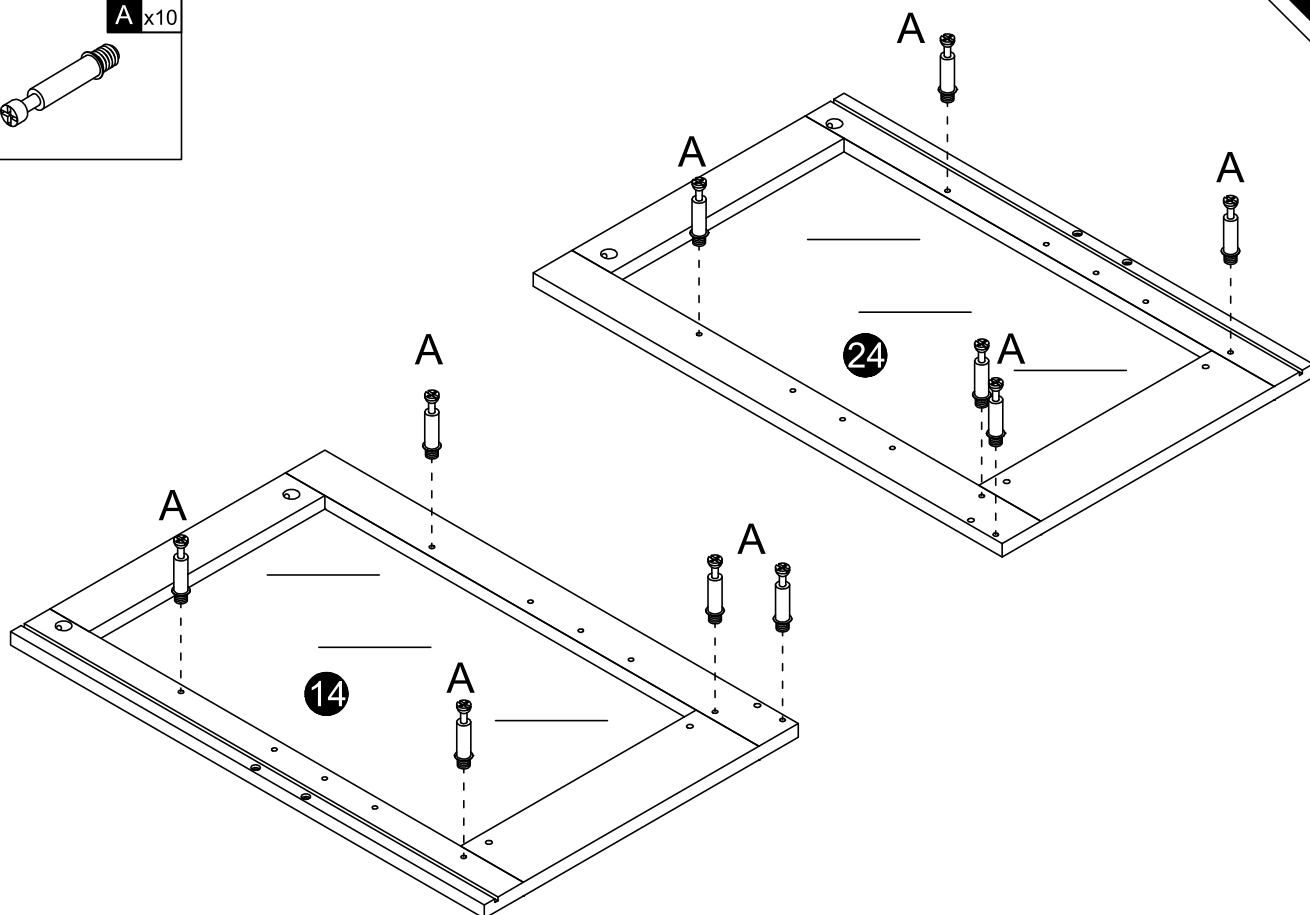
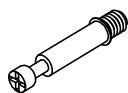
CR x2



x2

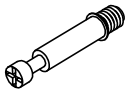


A x10



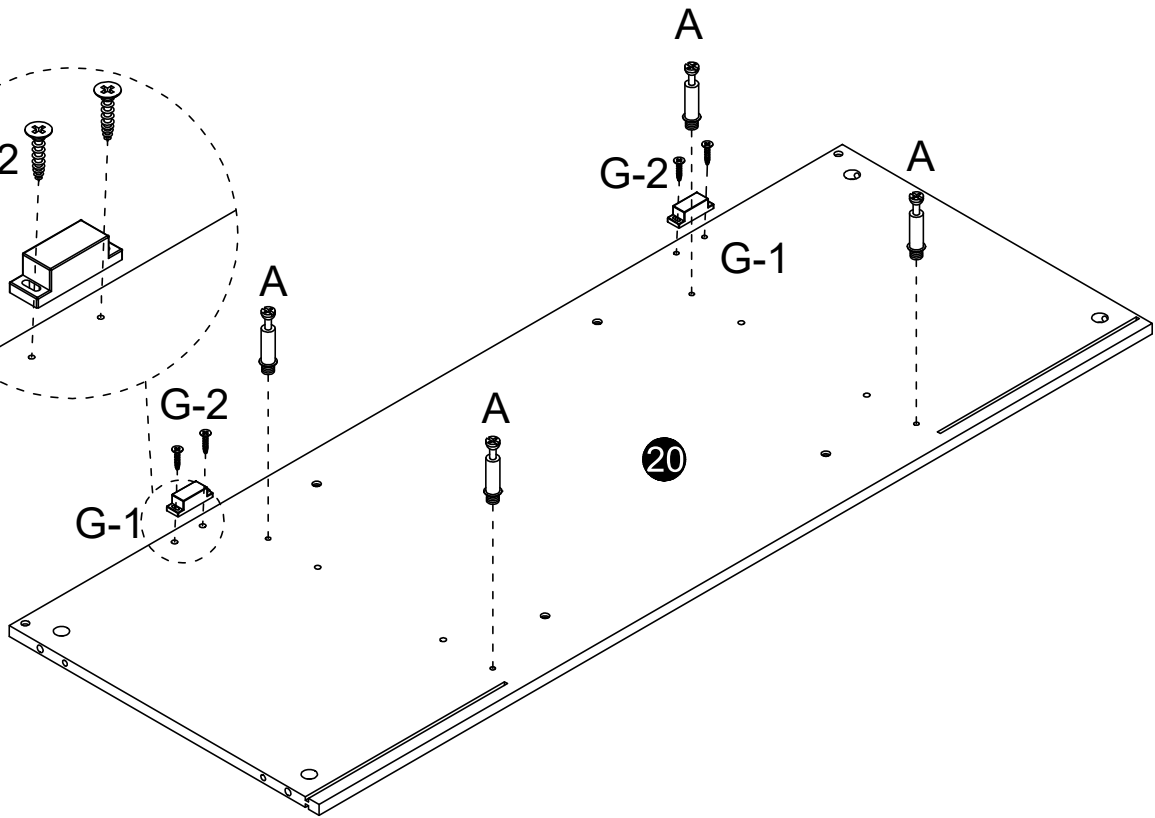
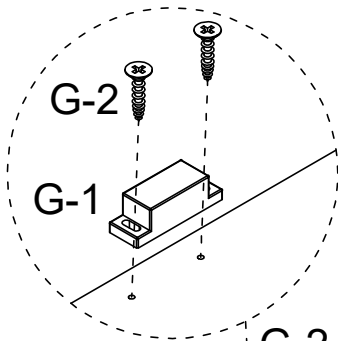
A x4

G x2



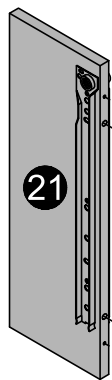
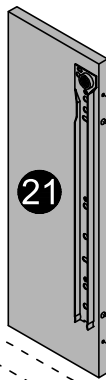
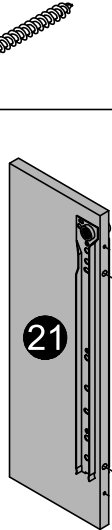
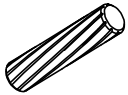
G-1

G-2



C x4

D x4



21

21

C

C

C

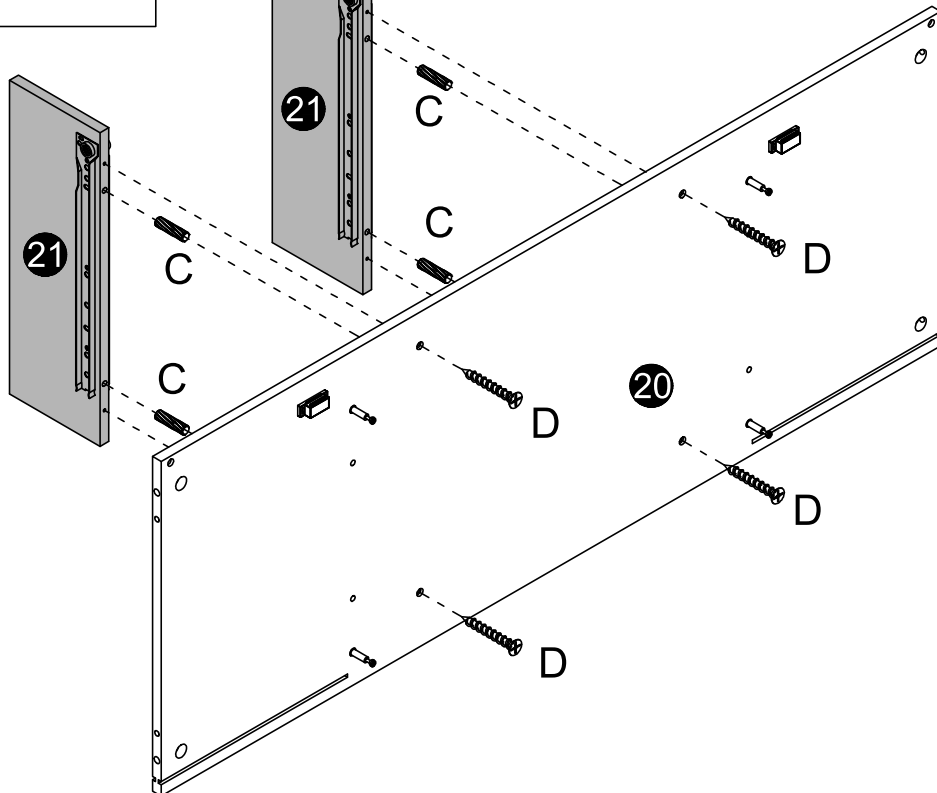
D

20

D

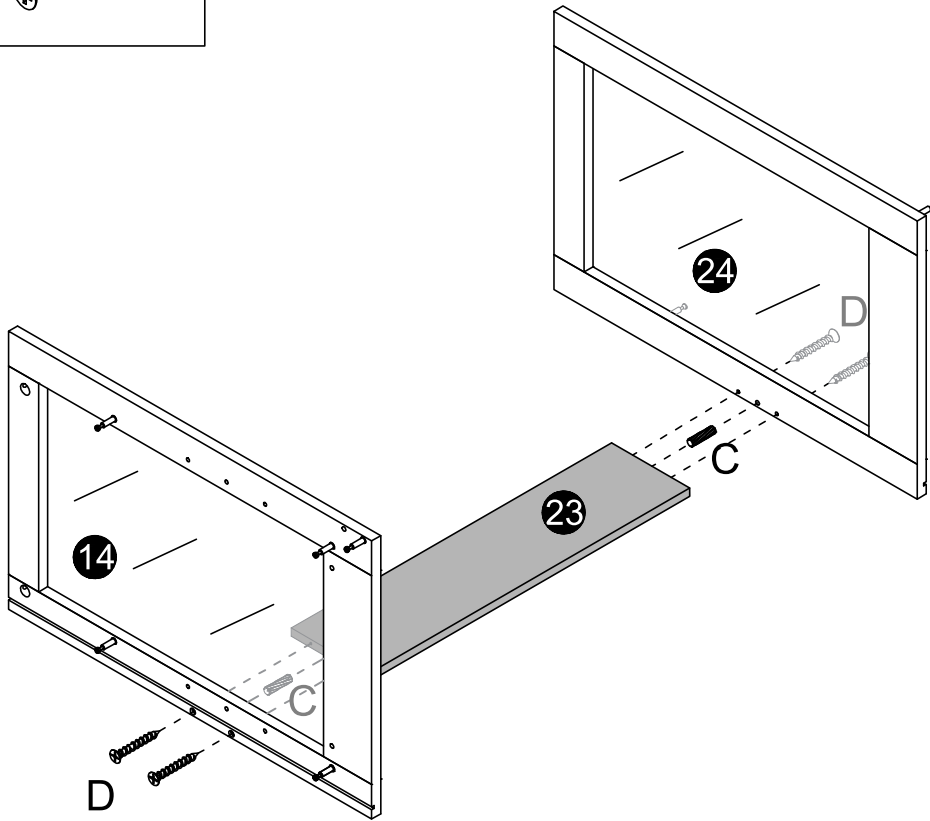
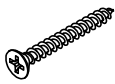
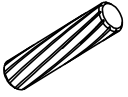
D

D



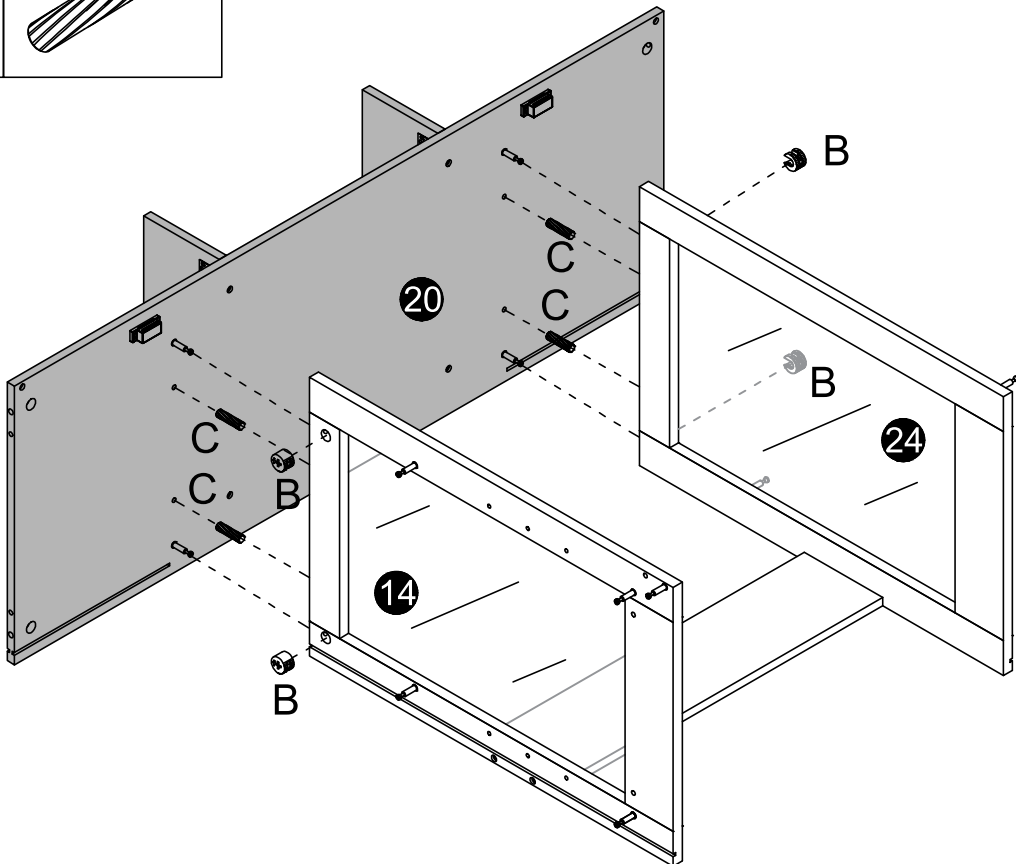
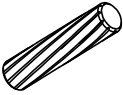
C x2

D x4



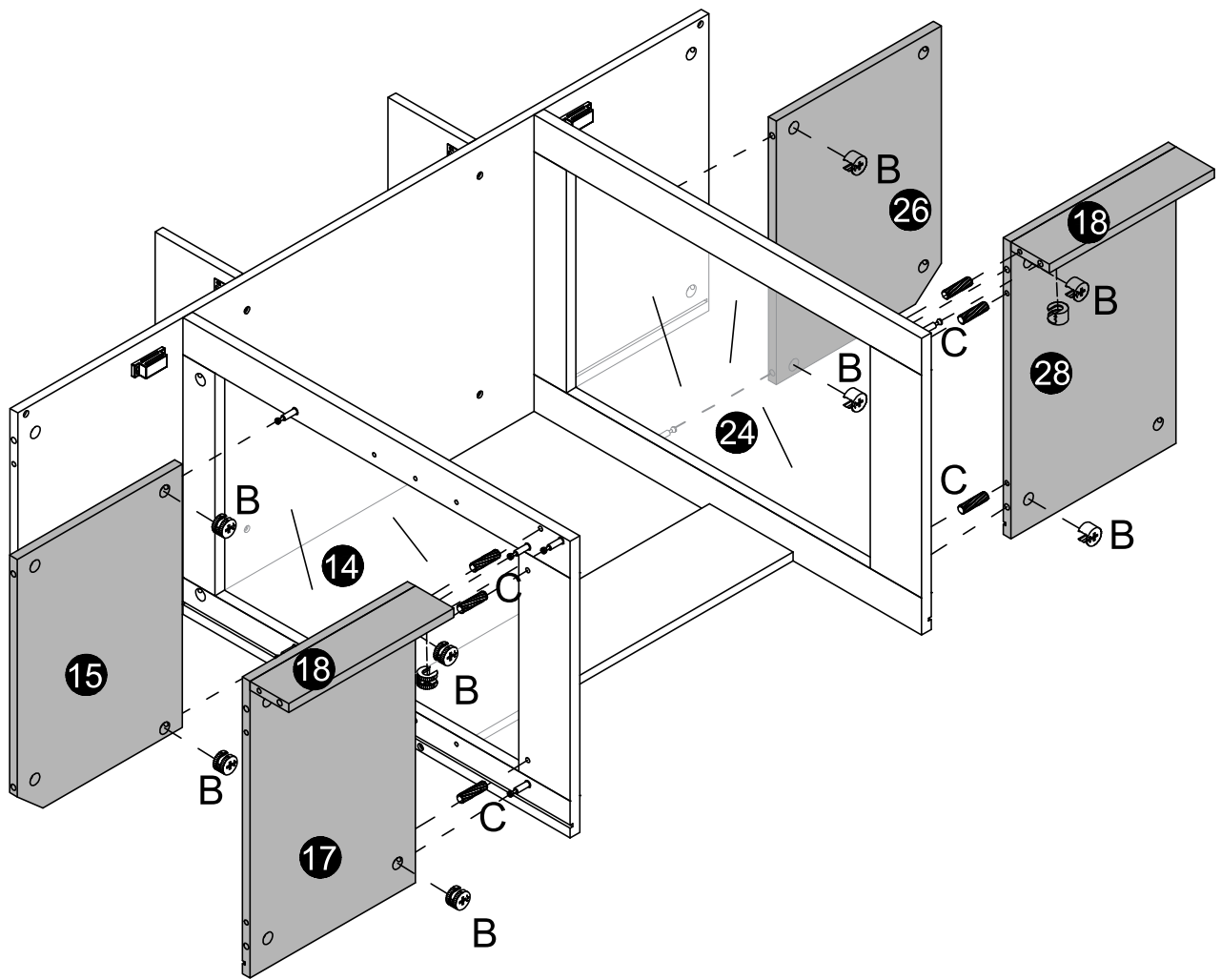
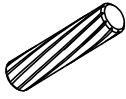
B x4

C x4



B x10

C x6

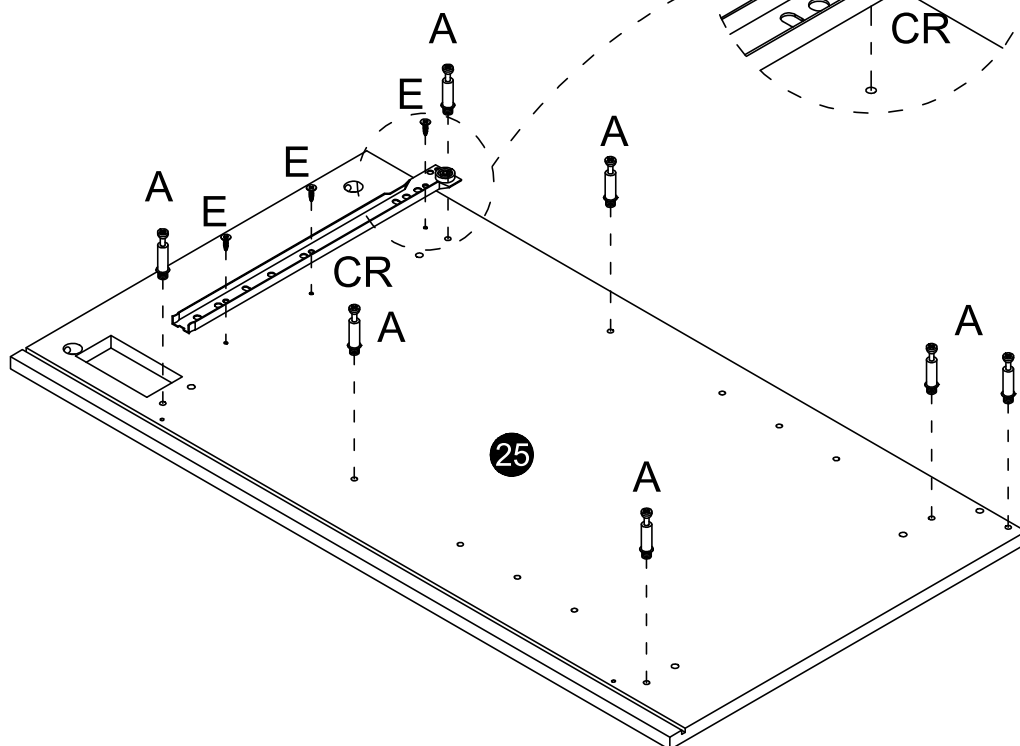
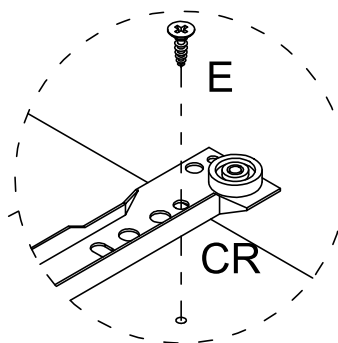
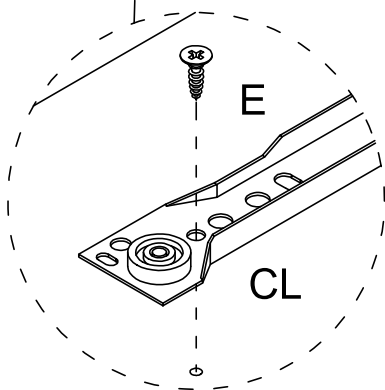
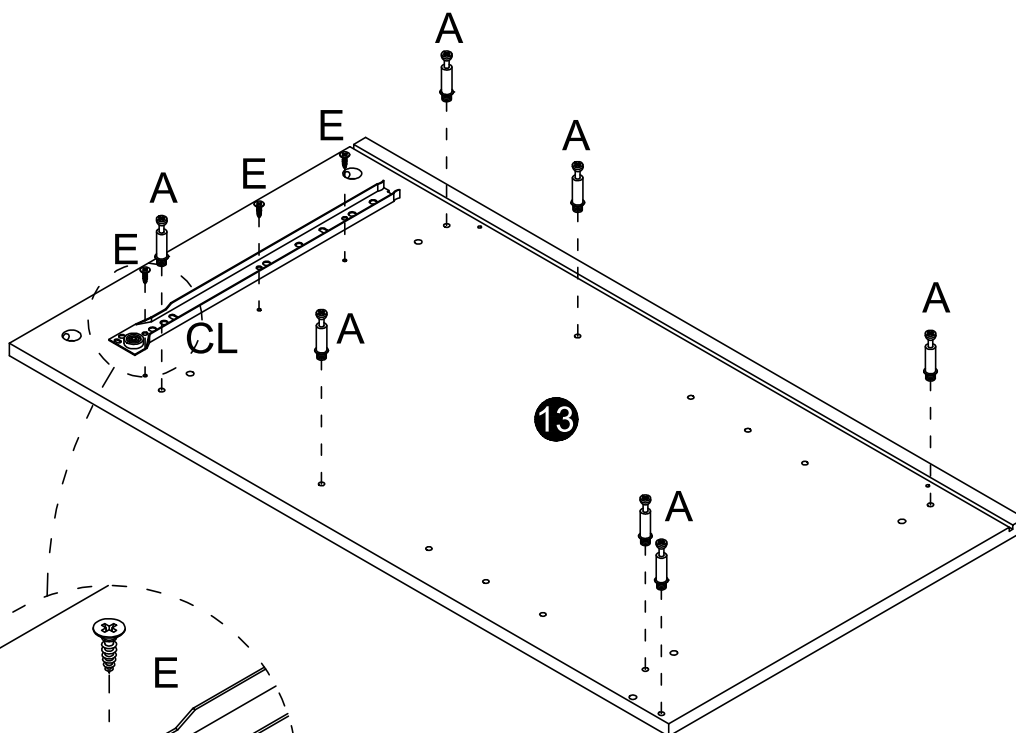
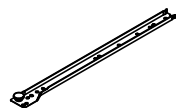
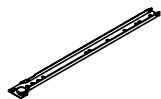
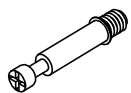


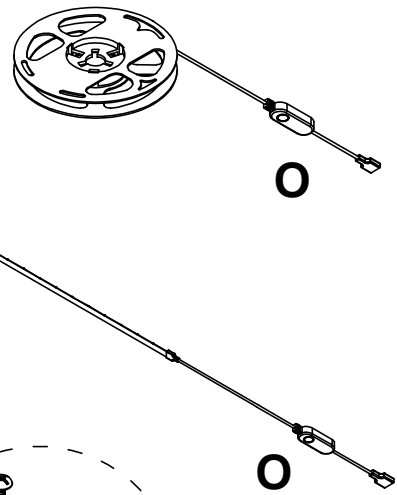
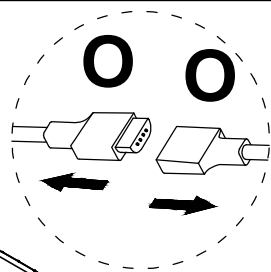
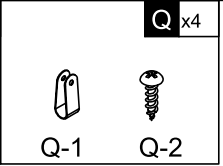
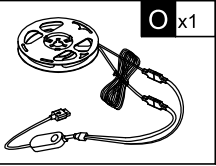
A x14

E x6

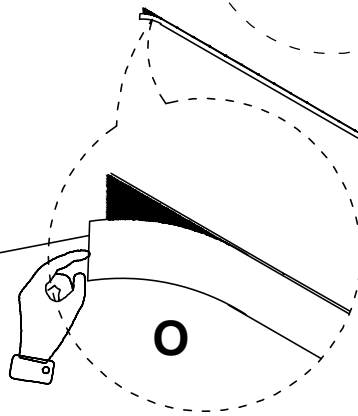
CL x1

CR x1

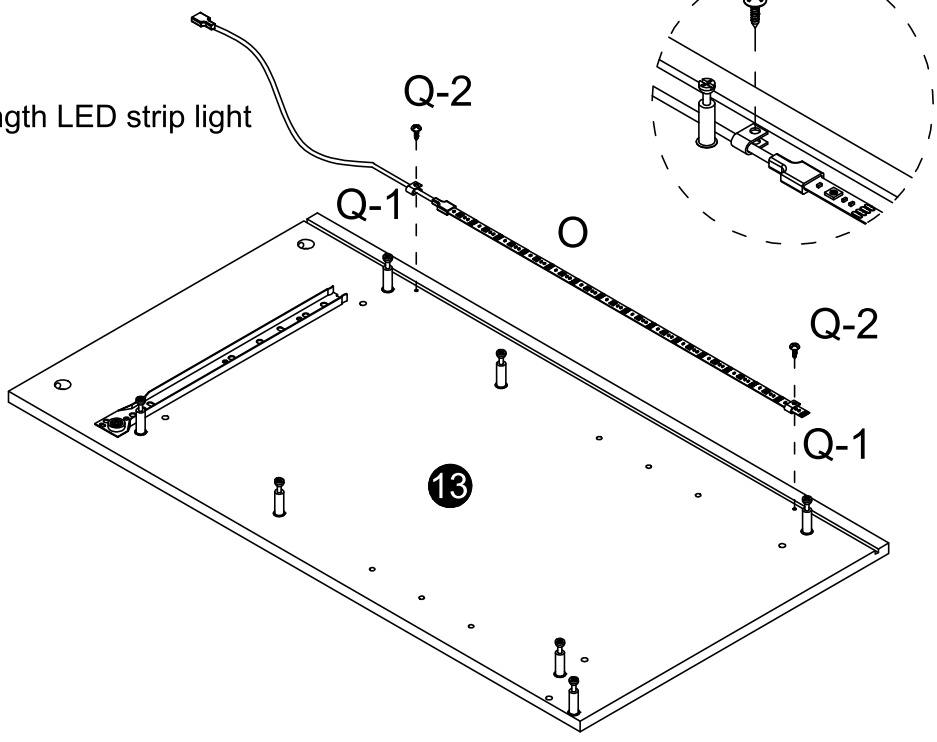




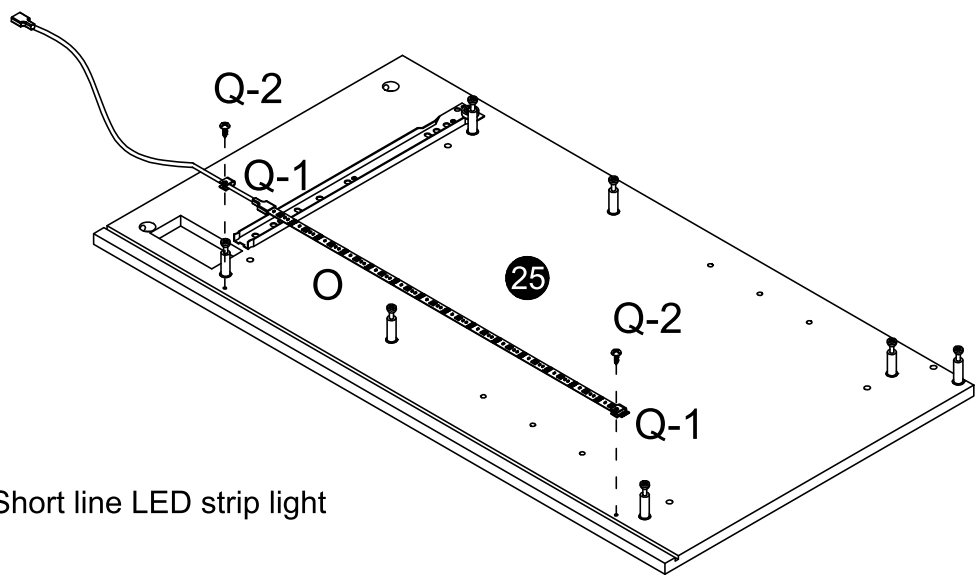
Tear off the back glue of the light strip



Cord length LED strip light

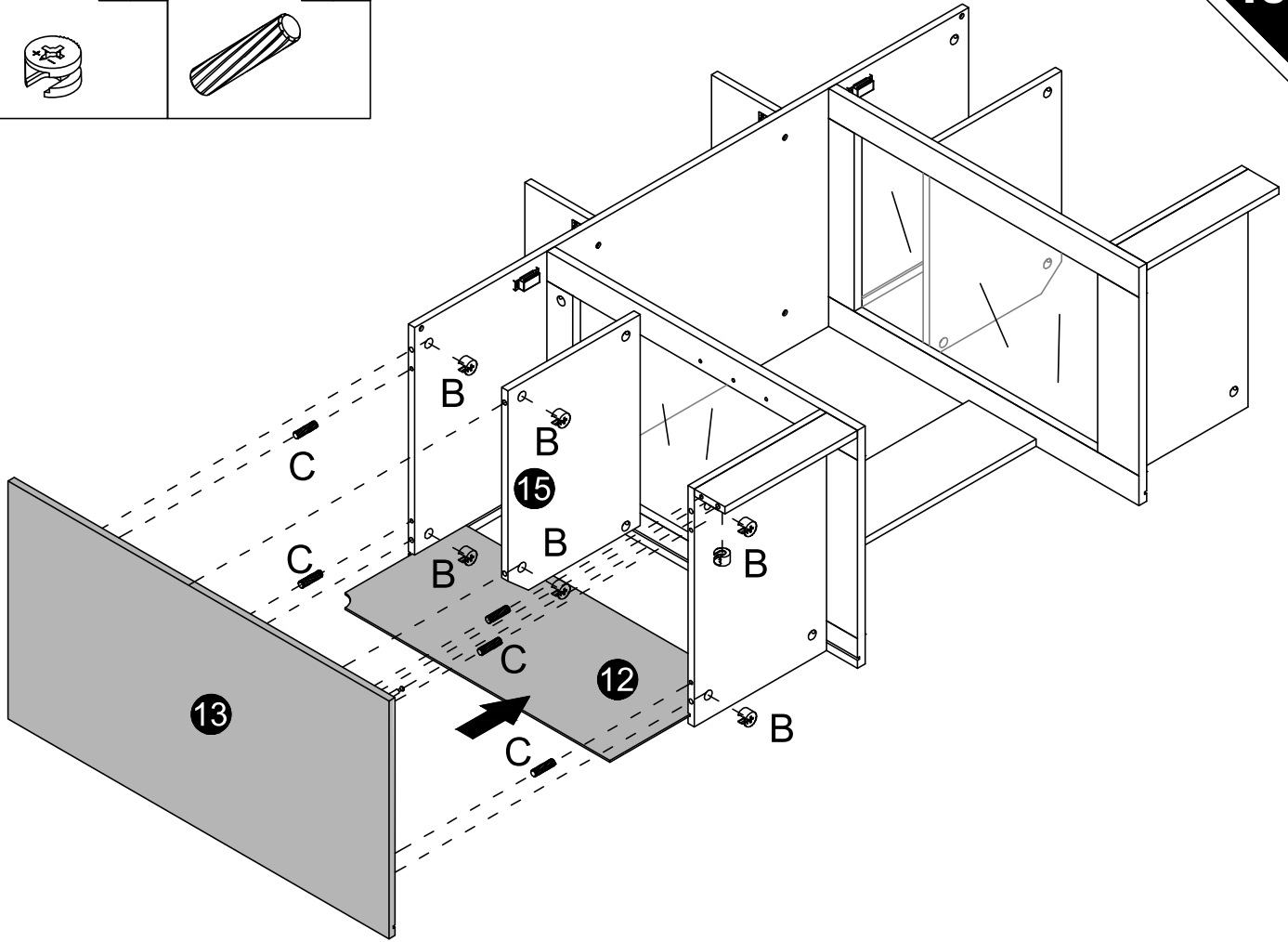
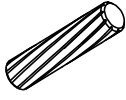


Short line LED strip light



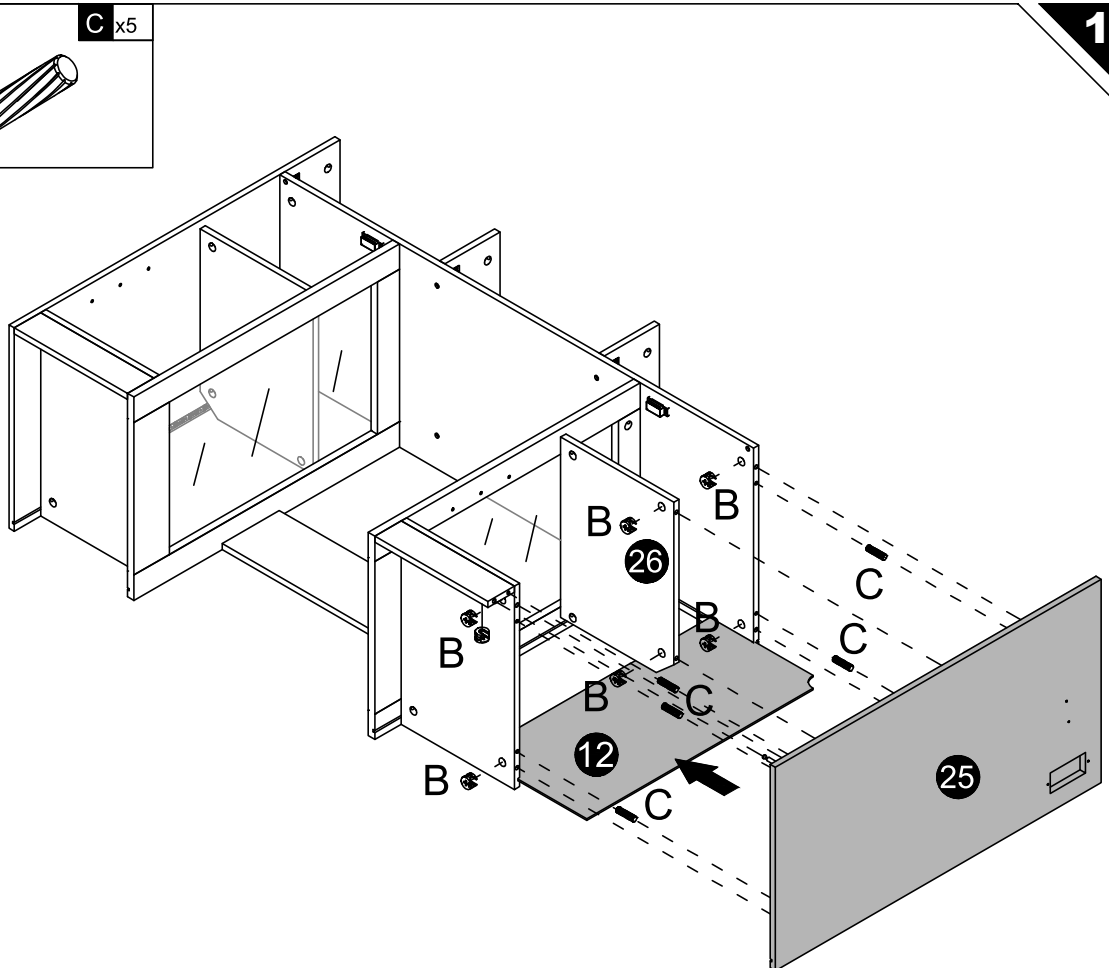
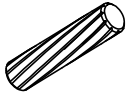
B x7

C x5



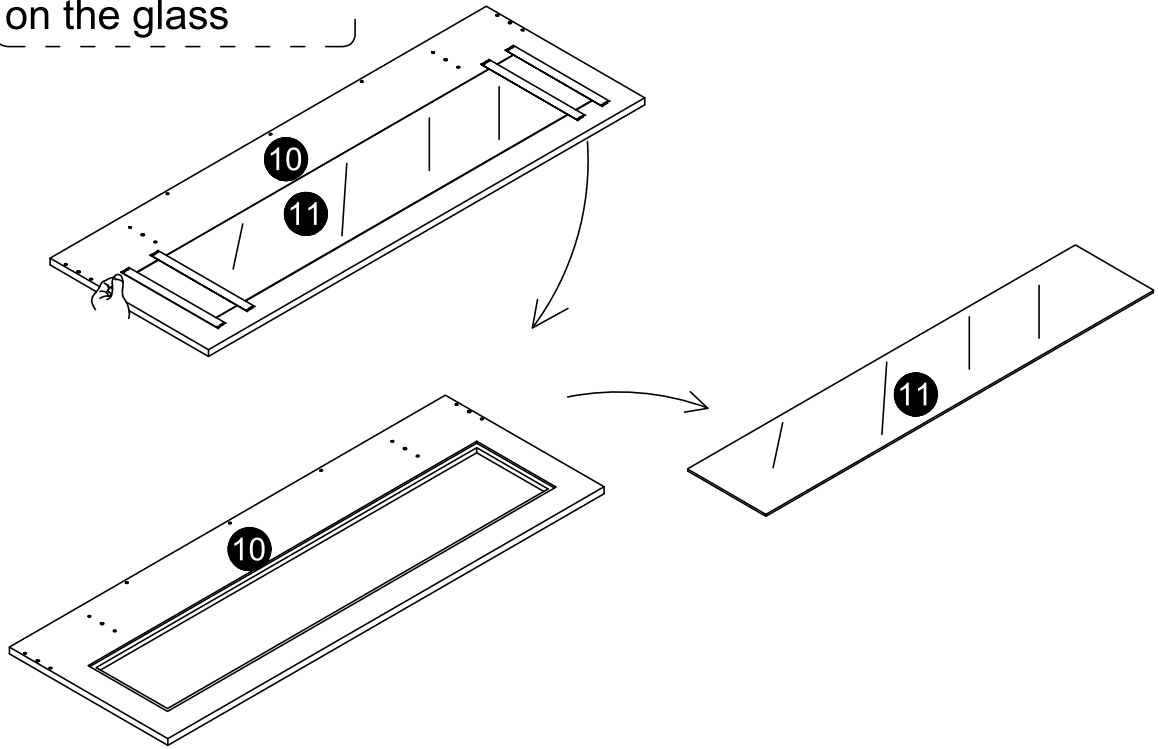
B x7

C x5

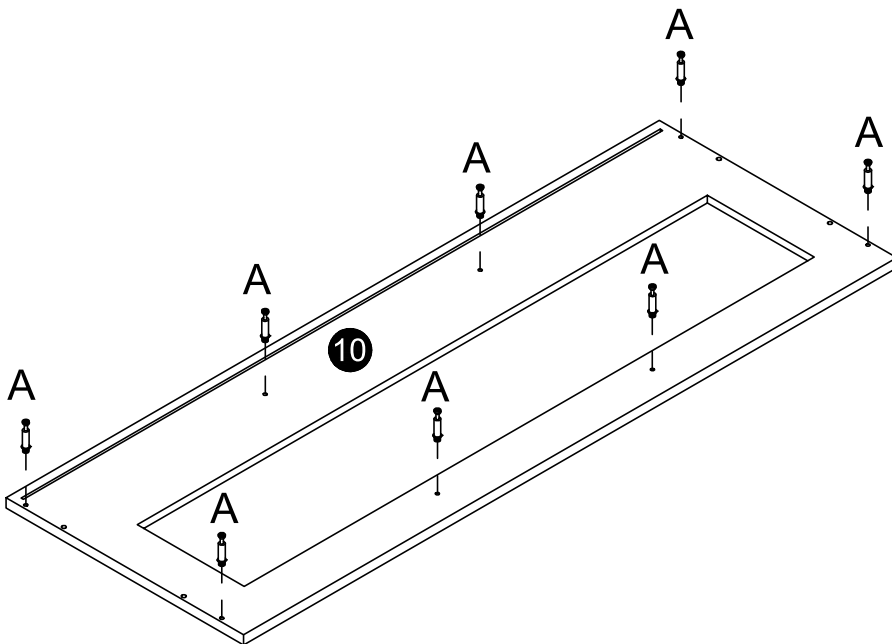
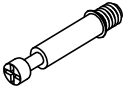




Peel off the sticker
on the glass

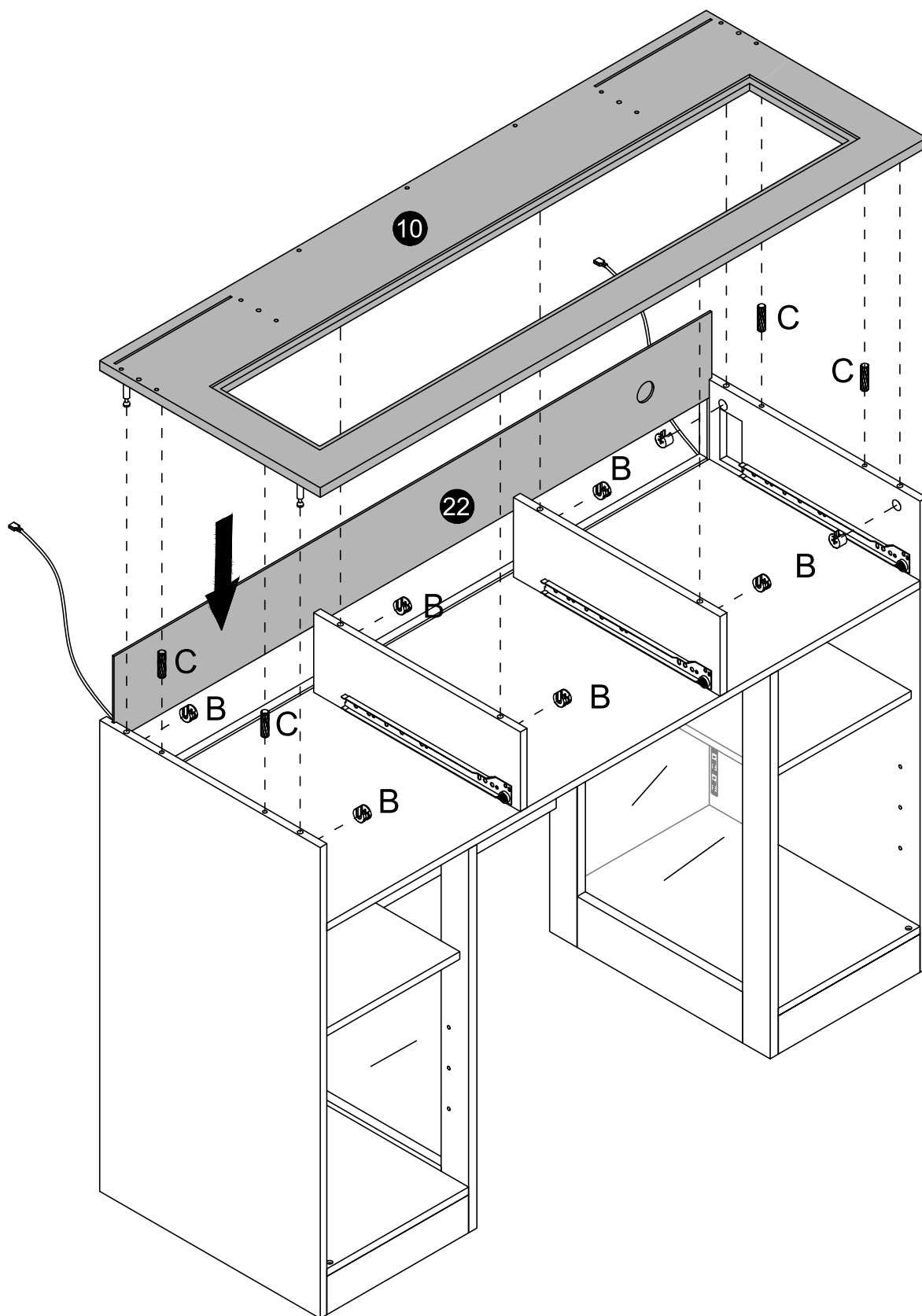
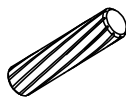


A x8

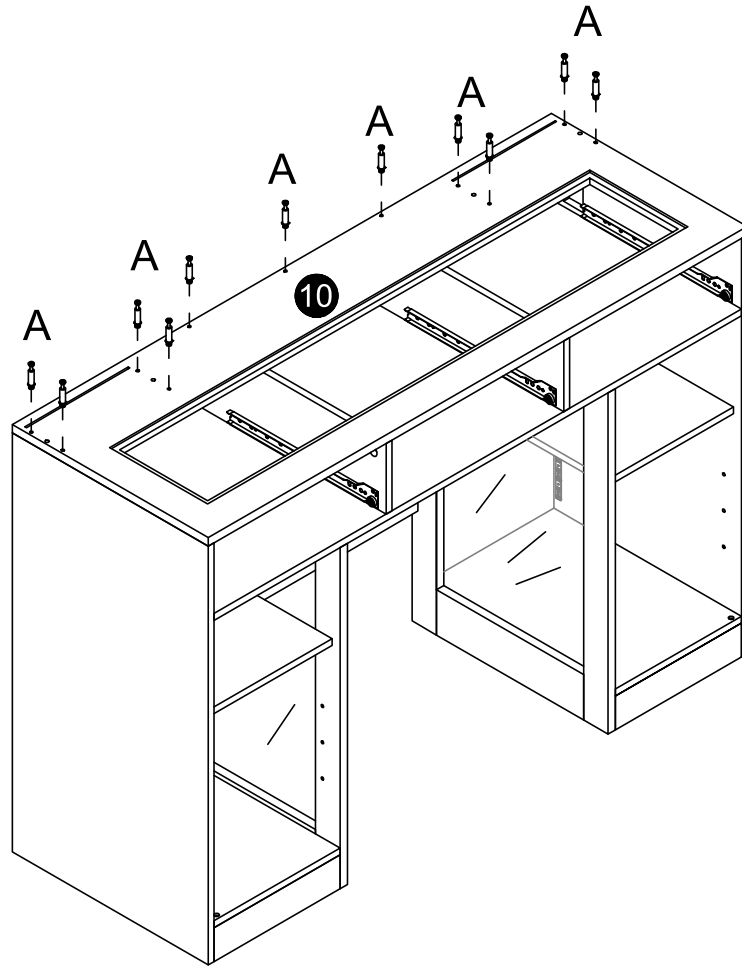
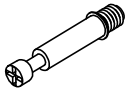


B x8

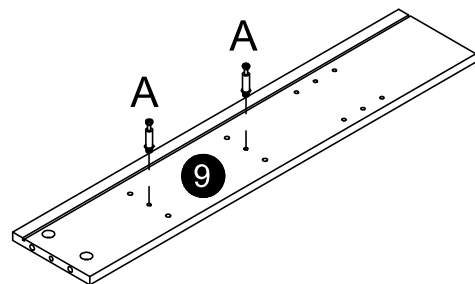
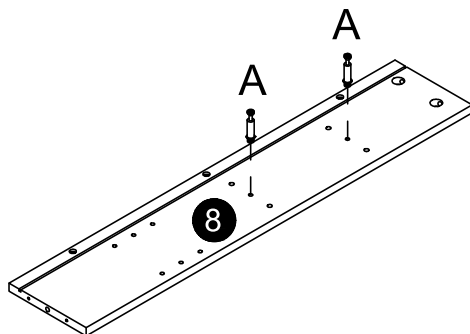
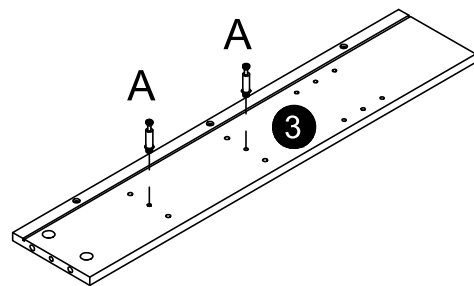
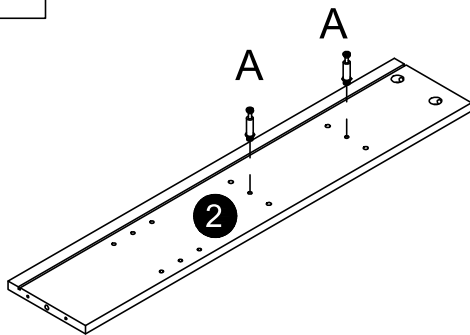
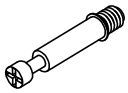
C x4



A x11

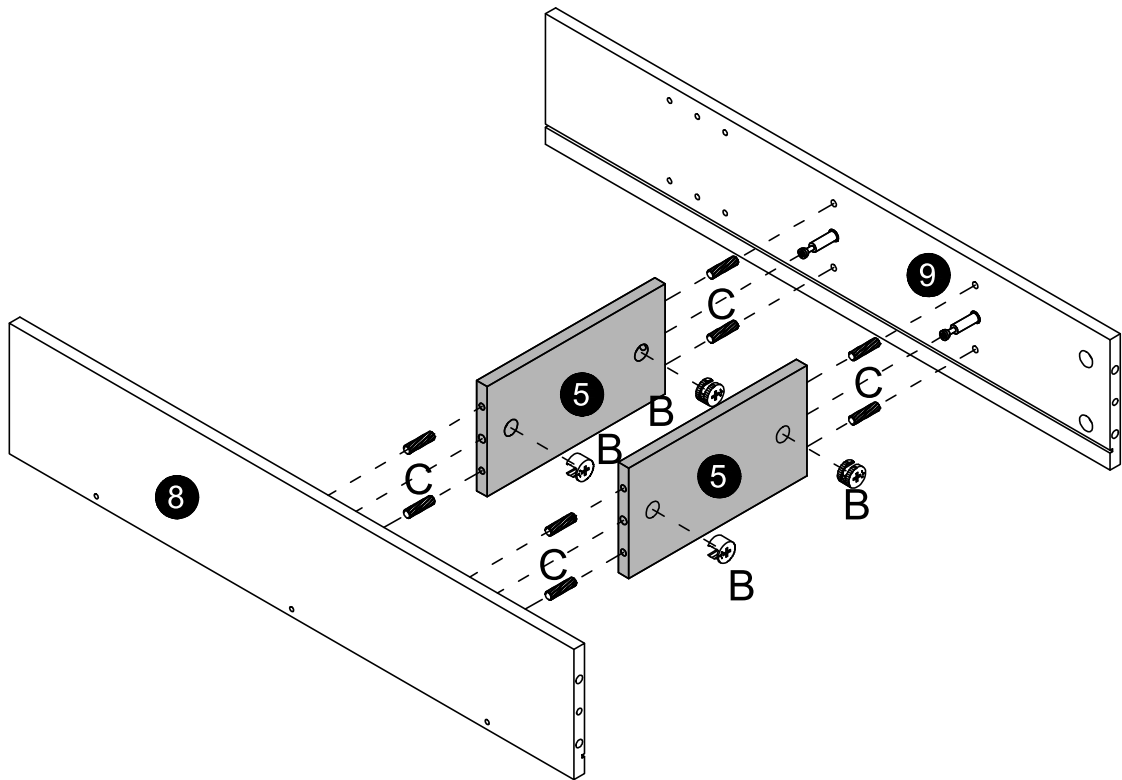
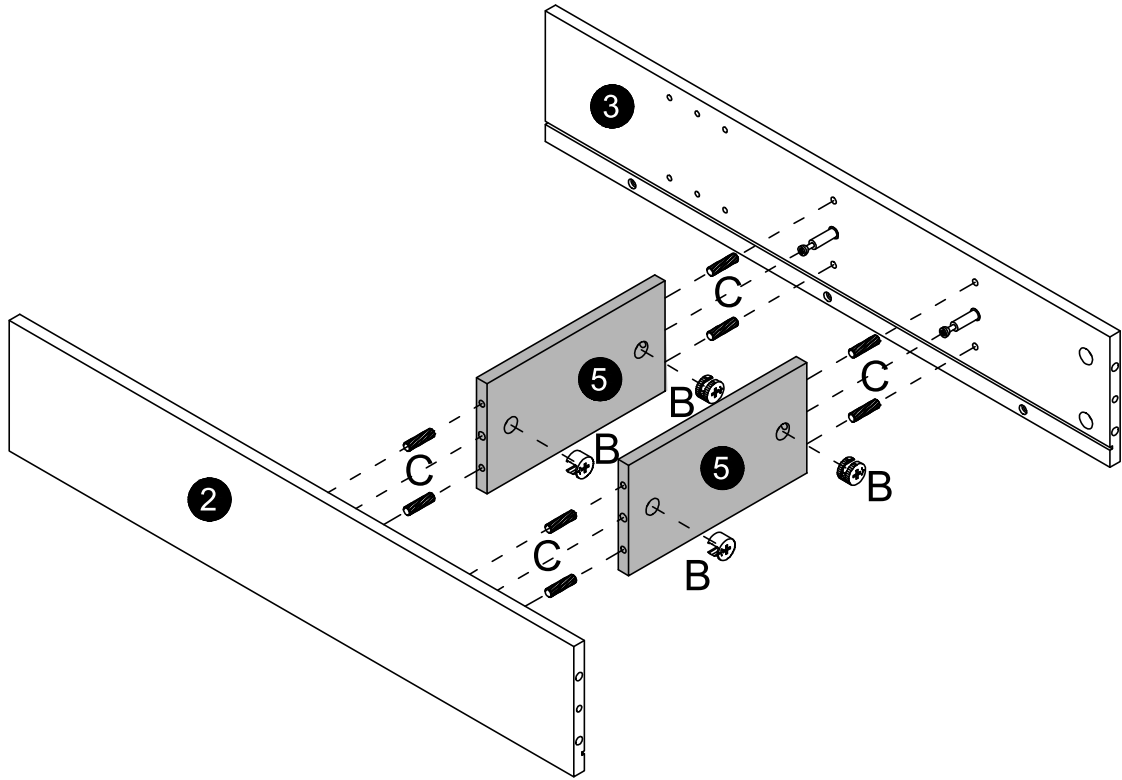
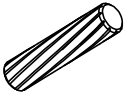


A x8



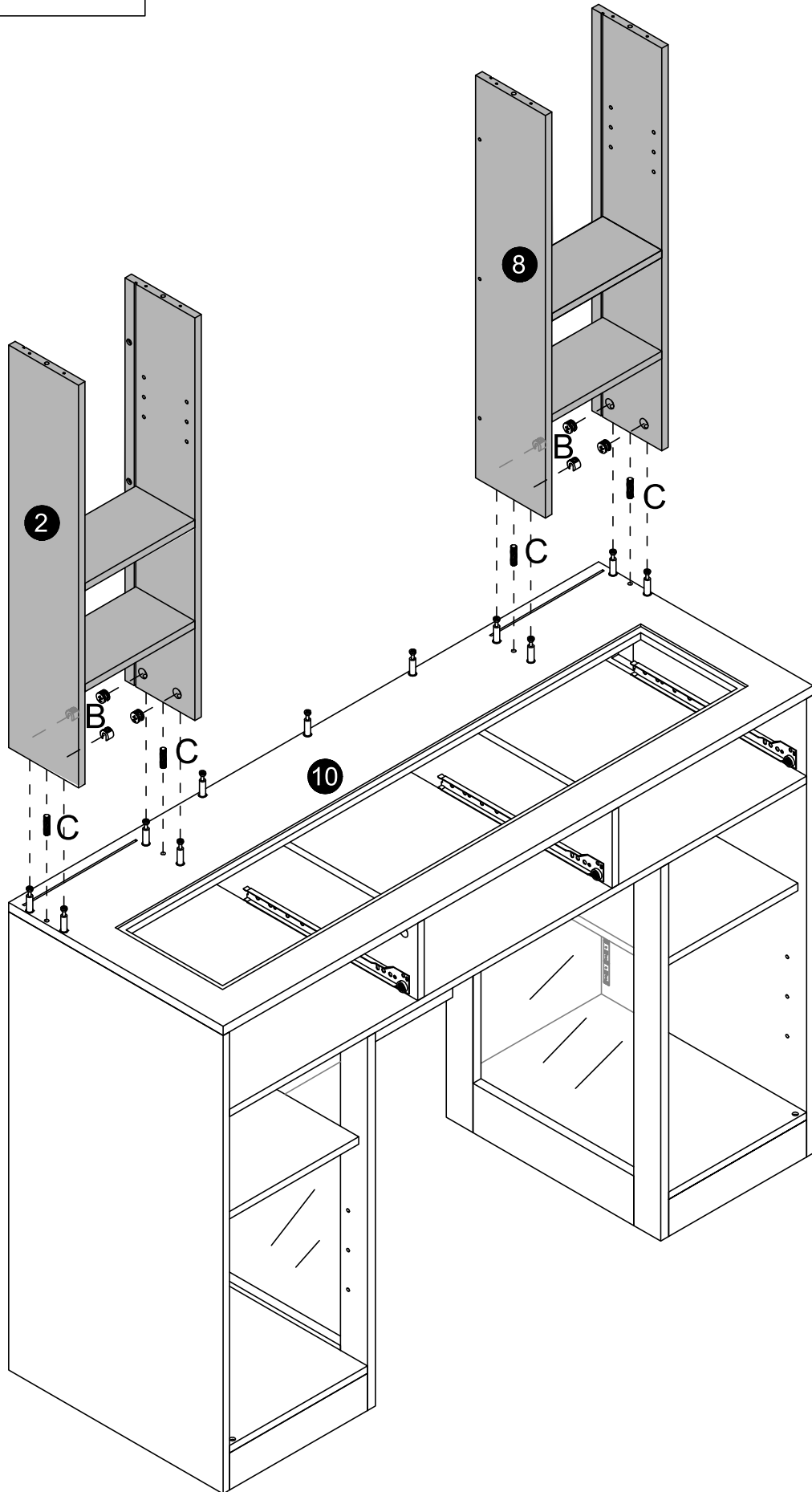
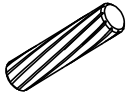
B x8

C x16



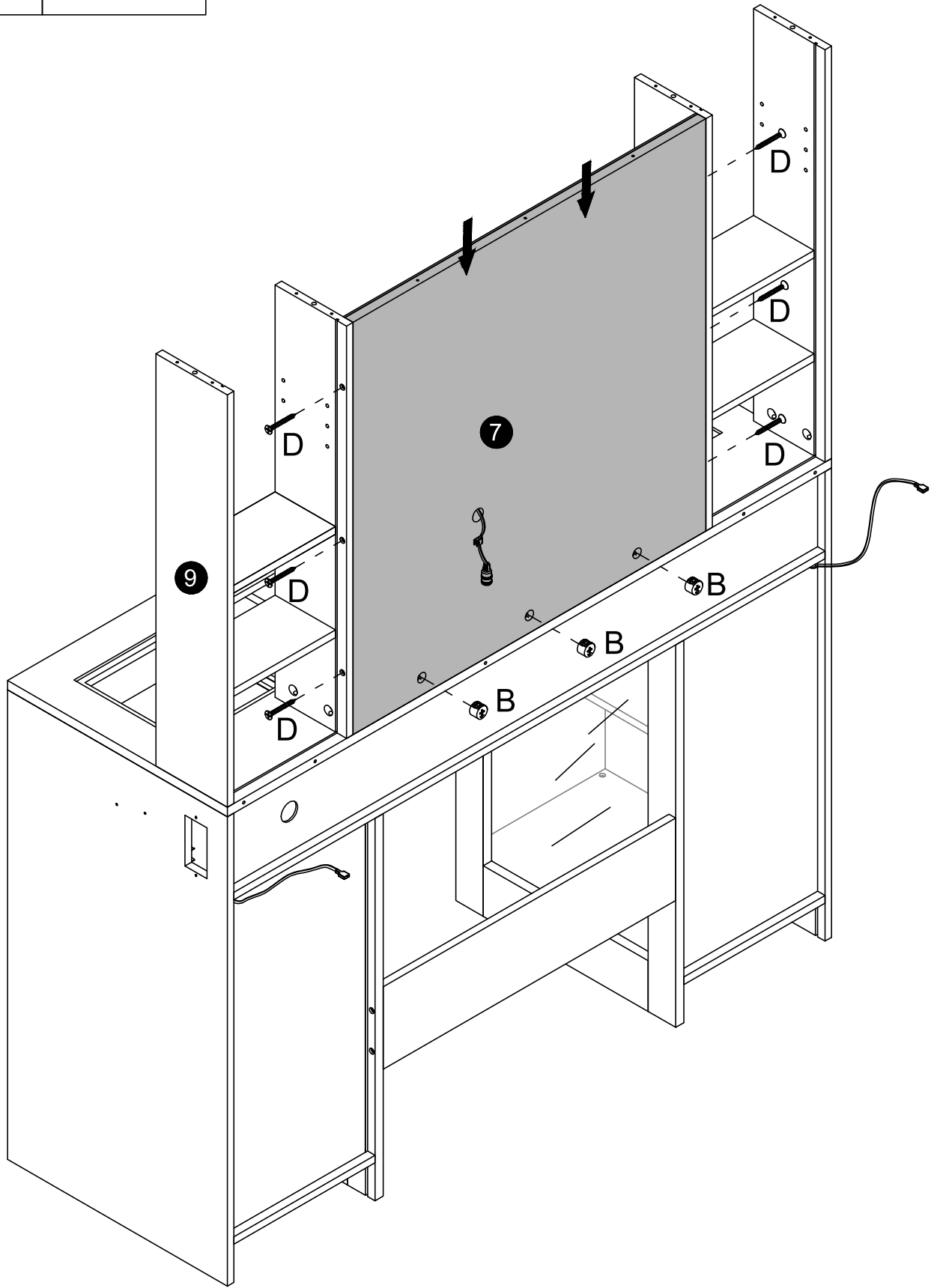
B x8

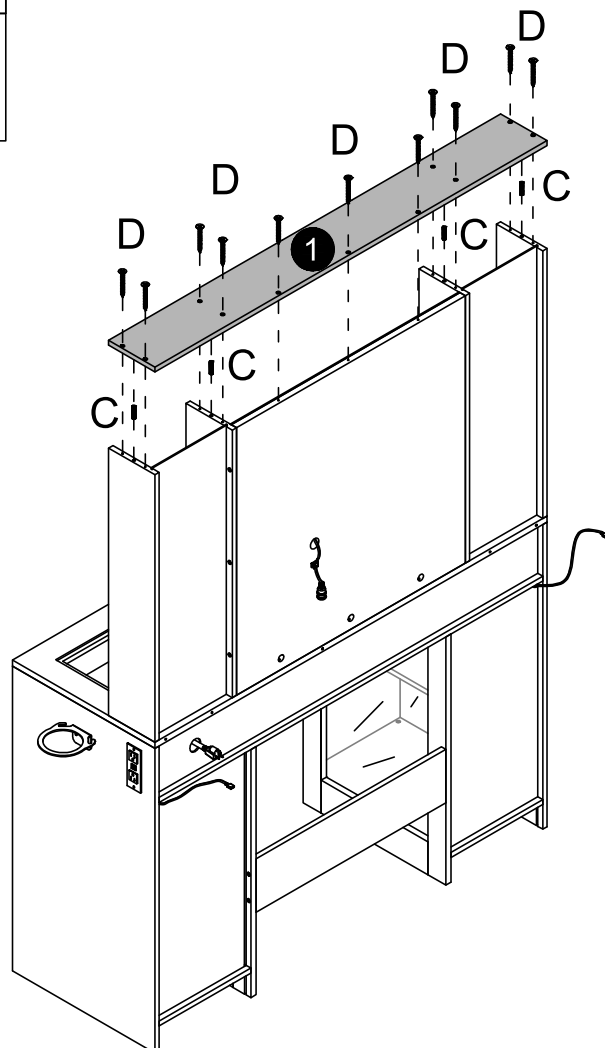
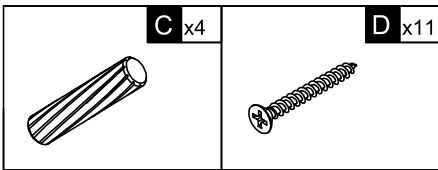
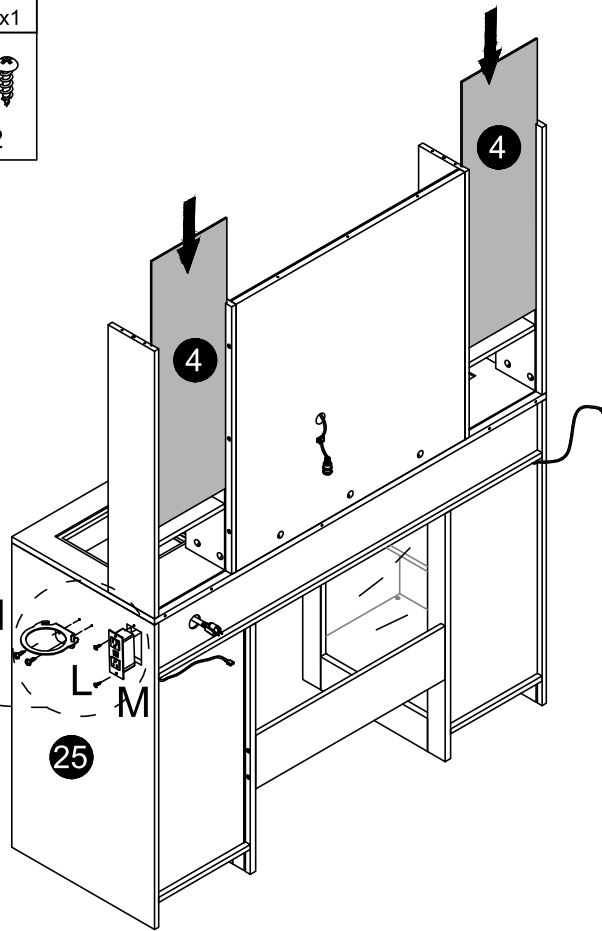
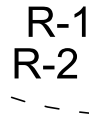
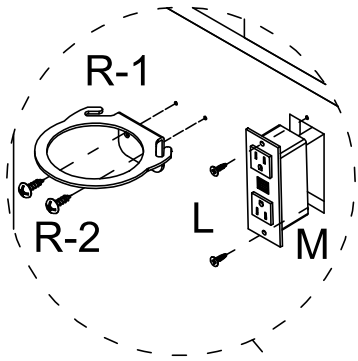
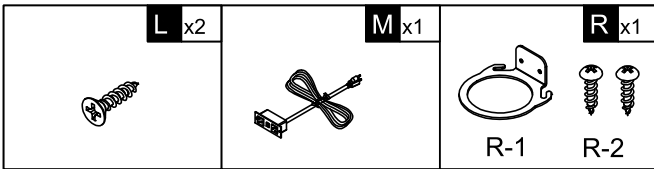
C x4

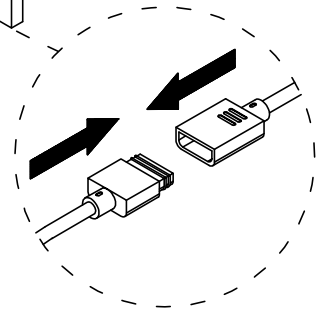
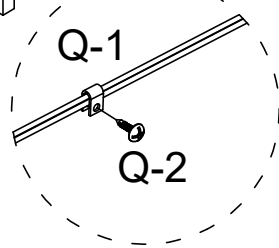
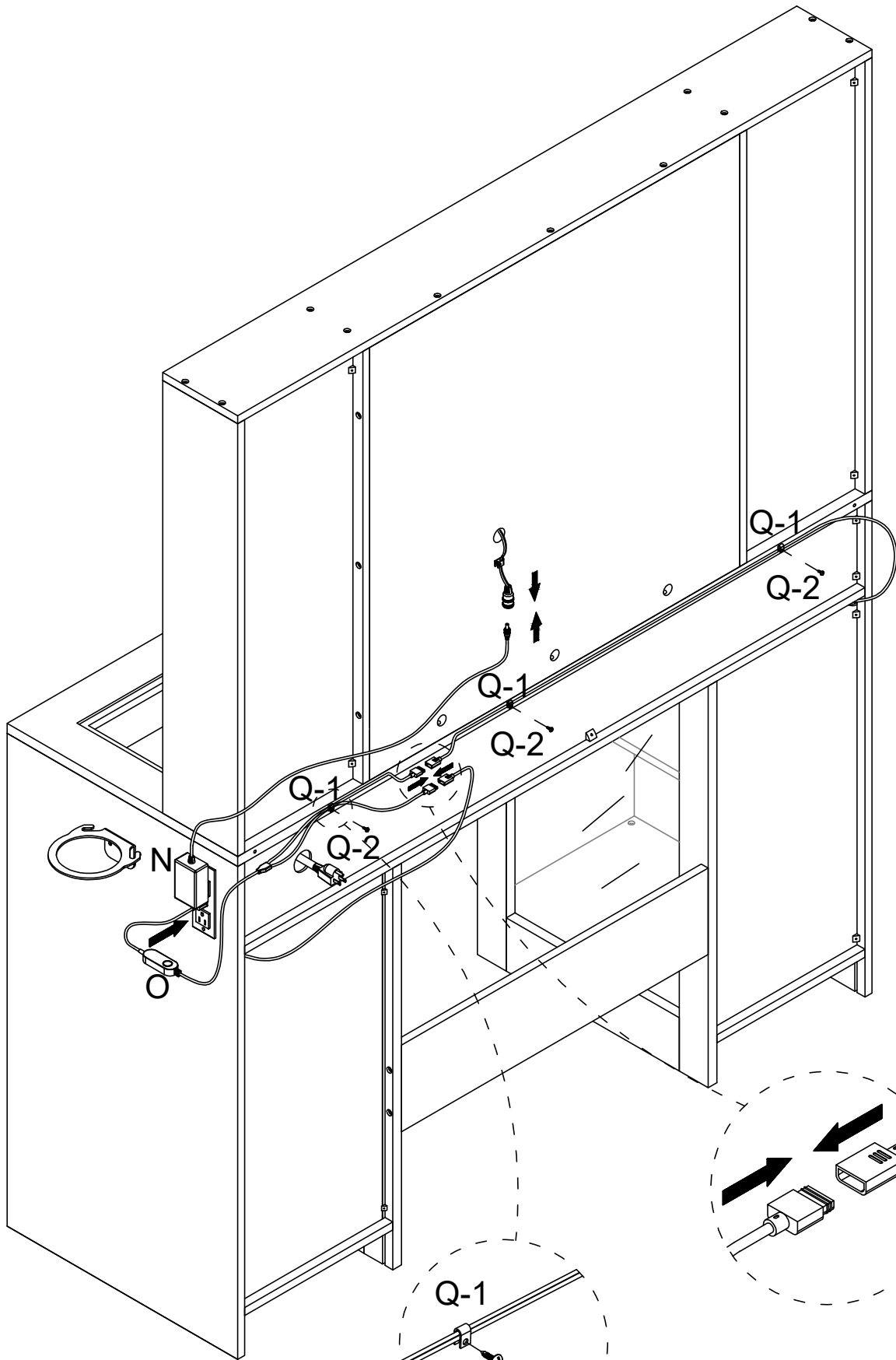
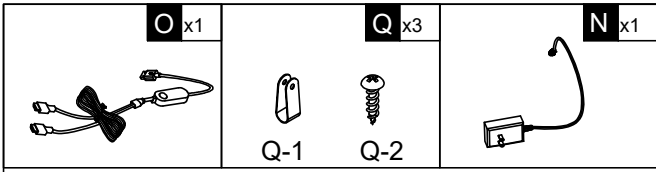


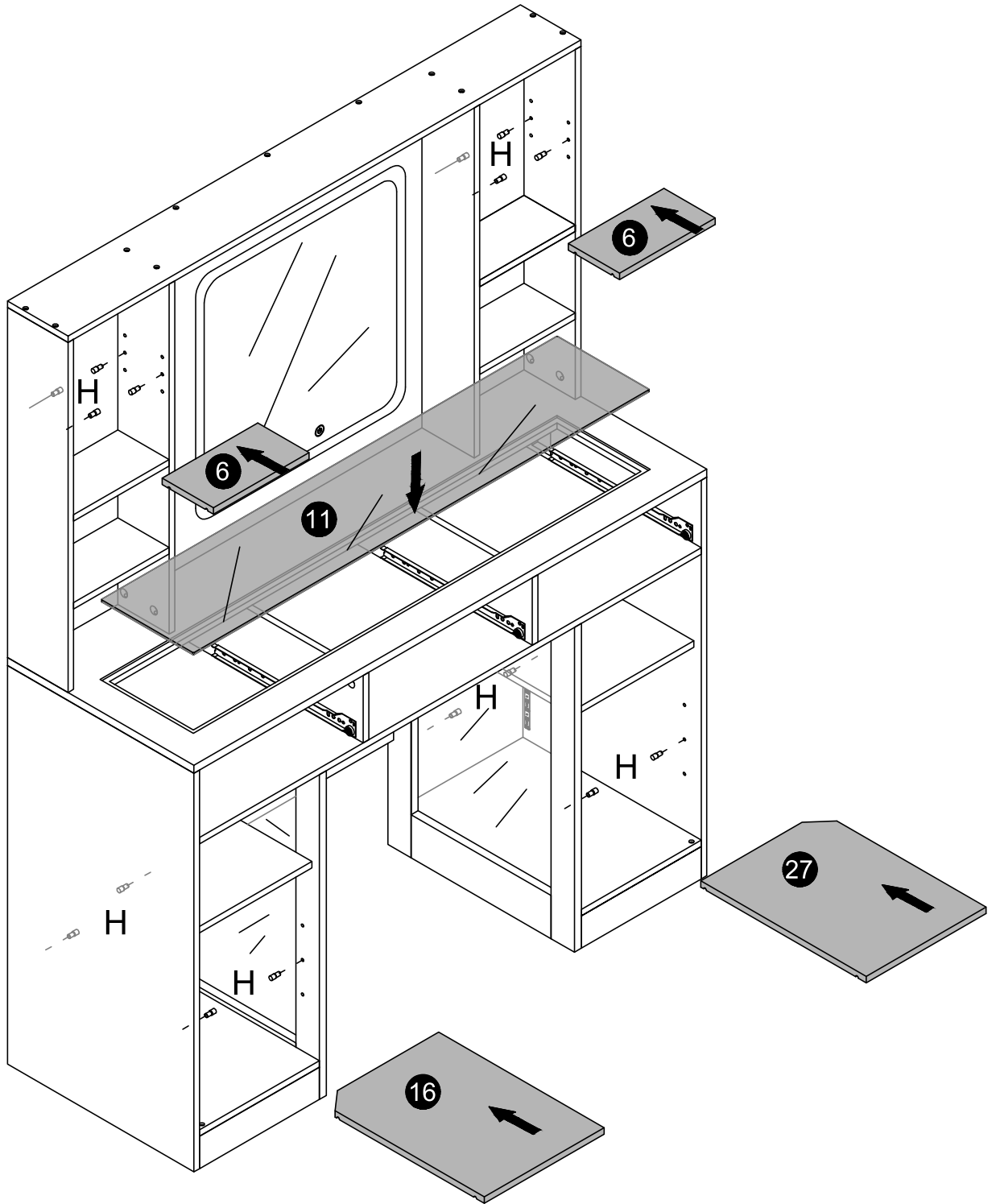
B x3






D x6

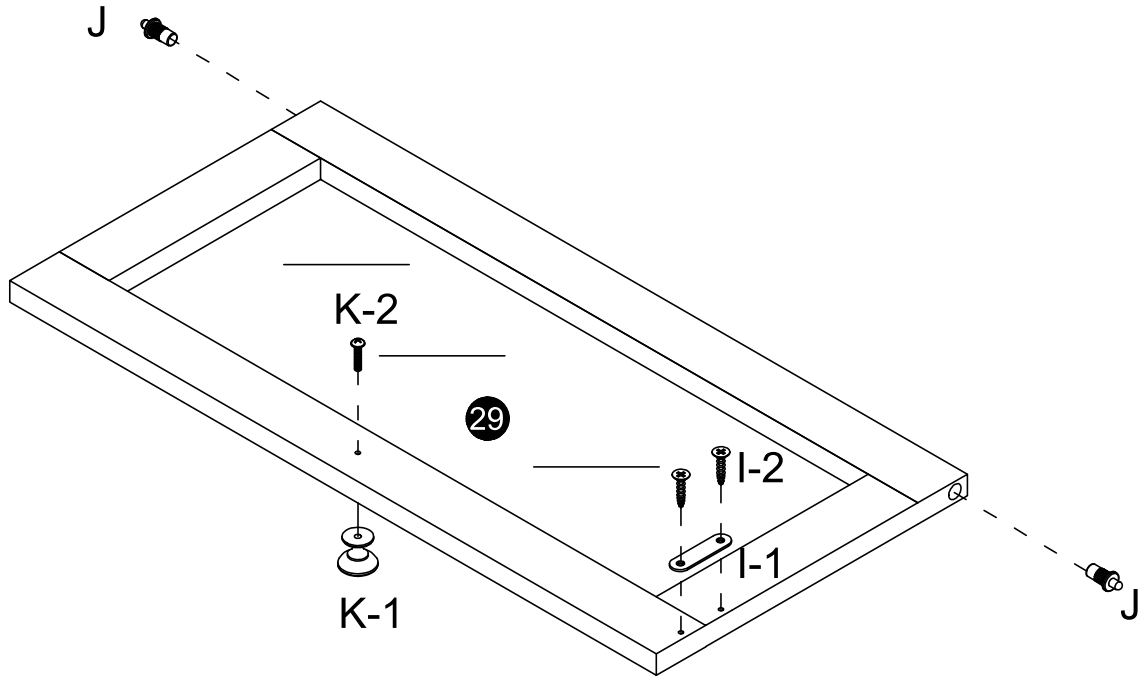
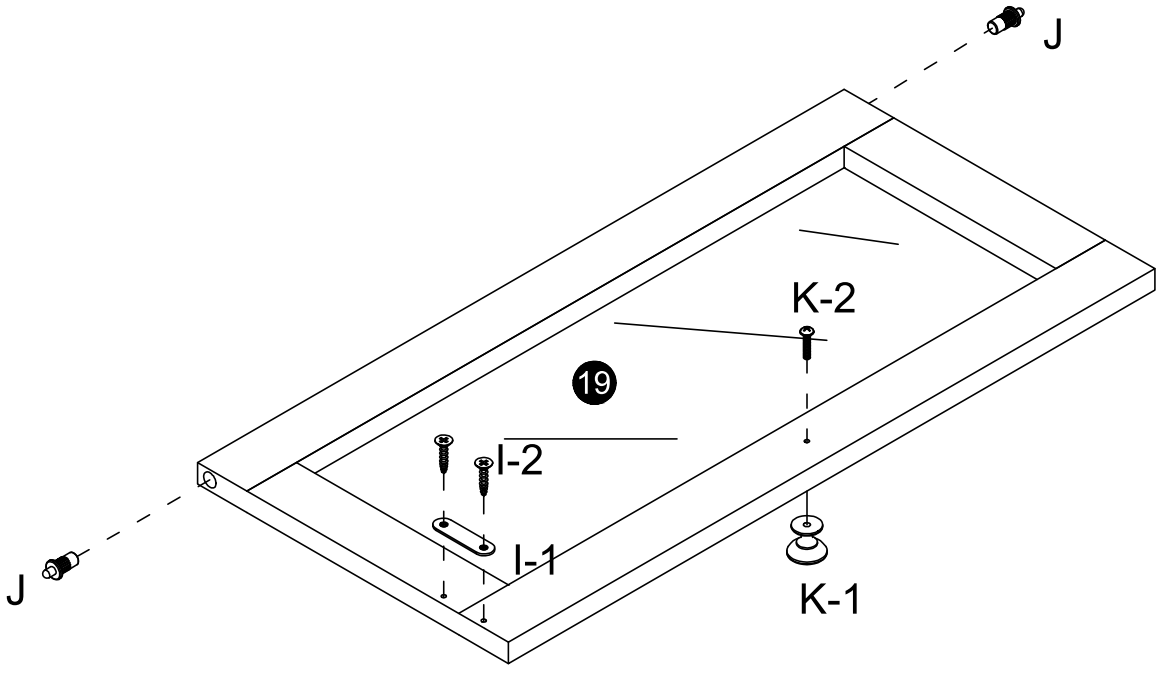


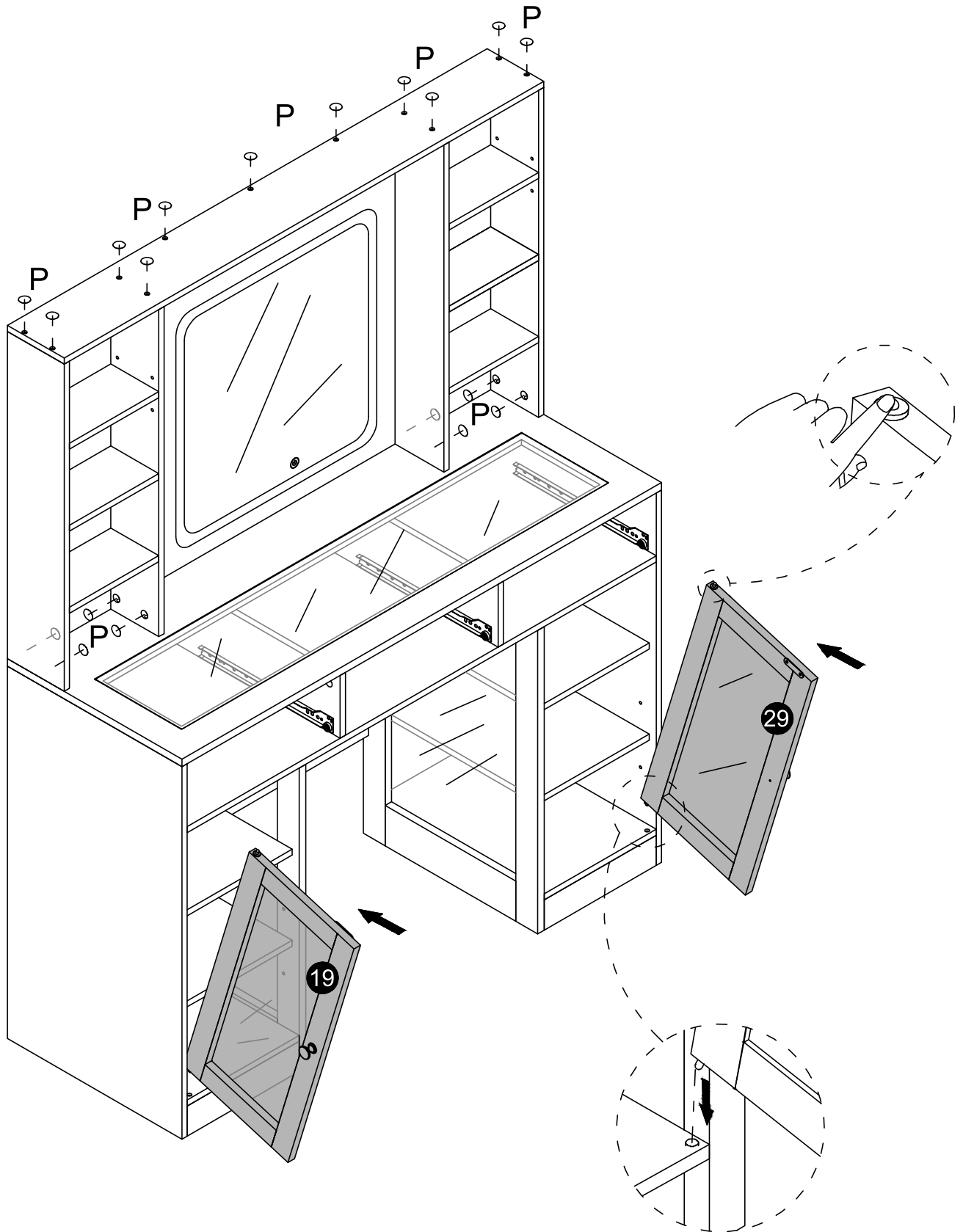




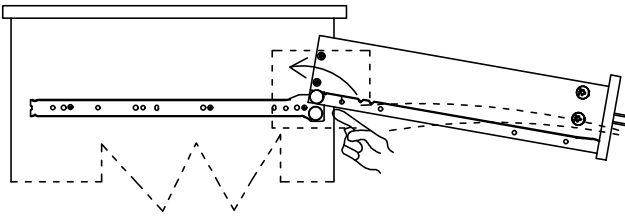


 I-1	 I-2	 J x4	 K-1	 K-2
--	--	---	--	--

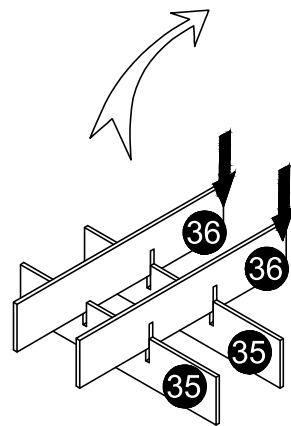
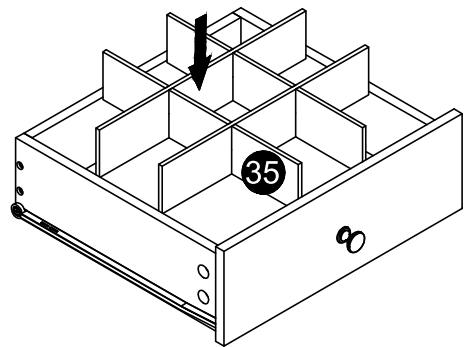
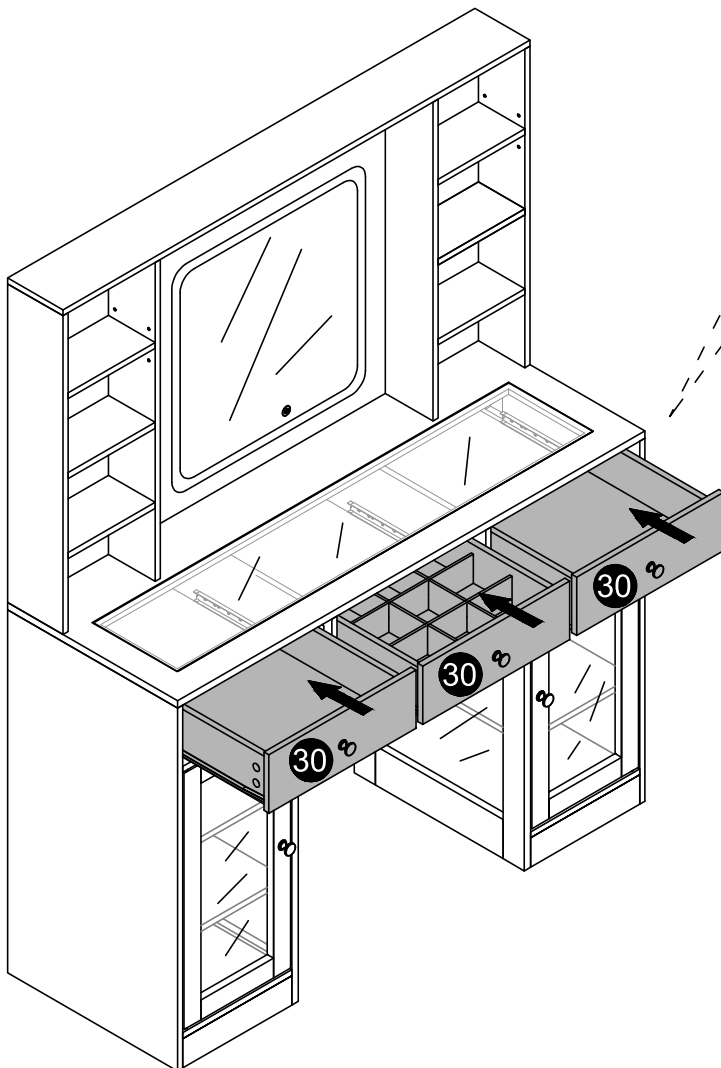
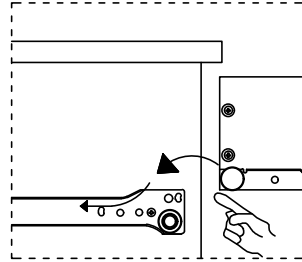
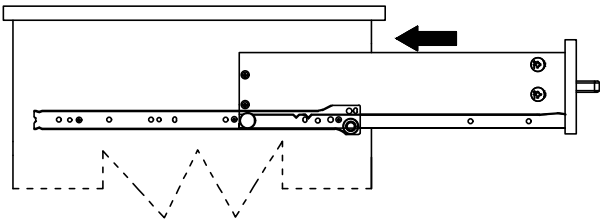




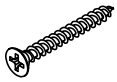
(1)



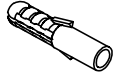
(2)



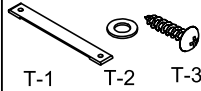
D x2



S x2



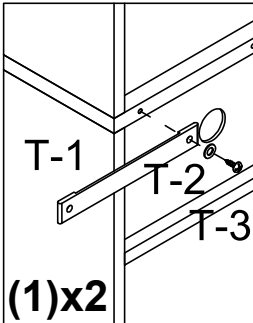
T x2



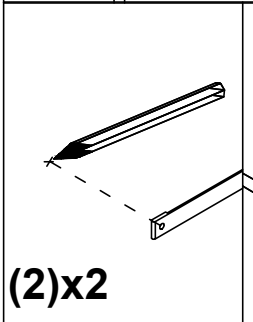
T-1

T-2

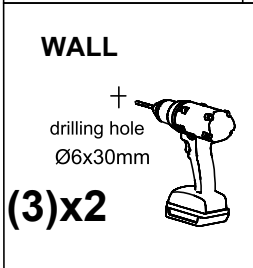
T-3



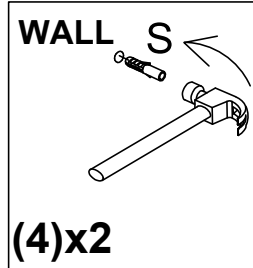
First fix the anti-rewind screw in the reserved hole of the product.



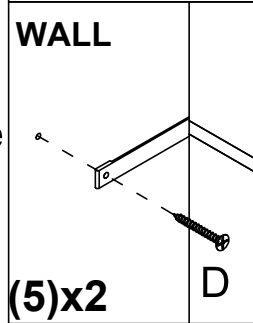
then, use a ruler to measure the approximate height of the product on the wall, and then mark it with a pen.



Then use a tape drill to make holes in the wall that are suitable for the product screws.



Then, put the expansion bolt into the hole



Finally, pass the matching screws through the "anti-rewind" and tighten them to fix them on the wall.

