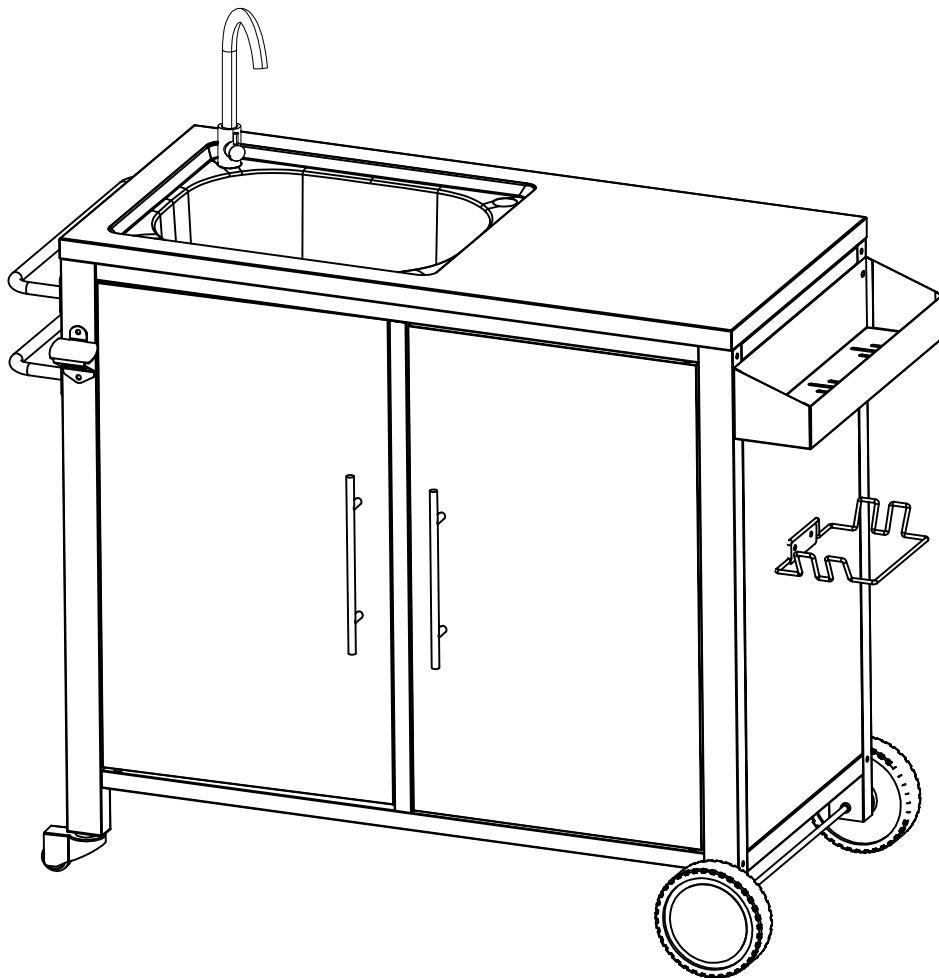
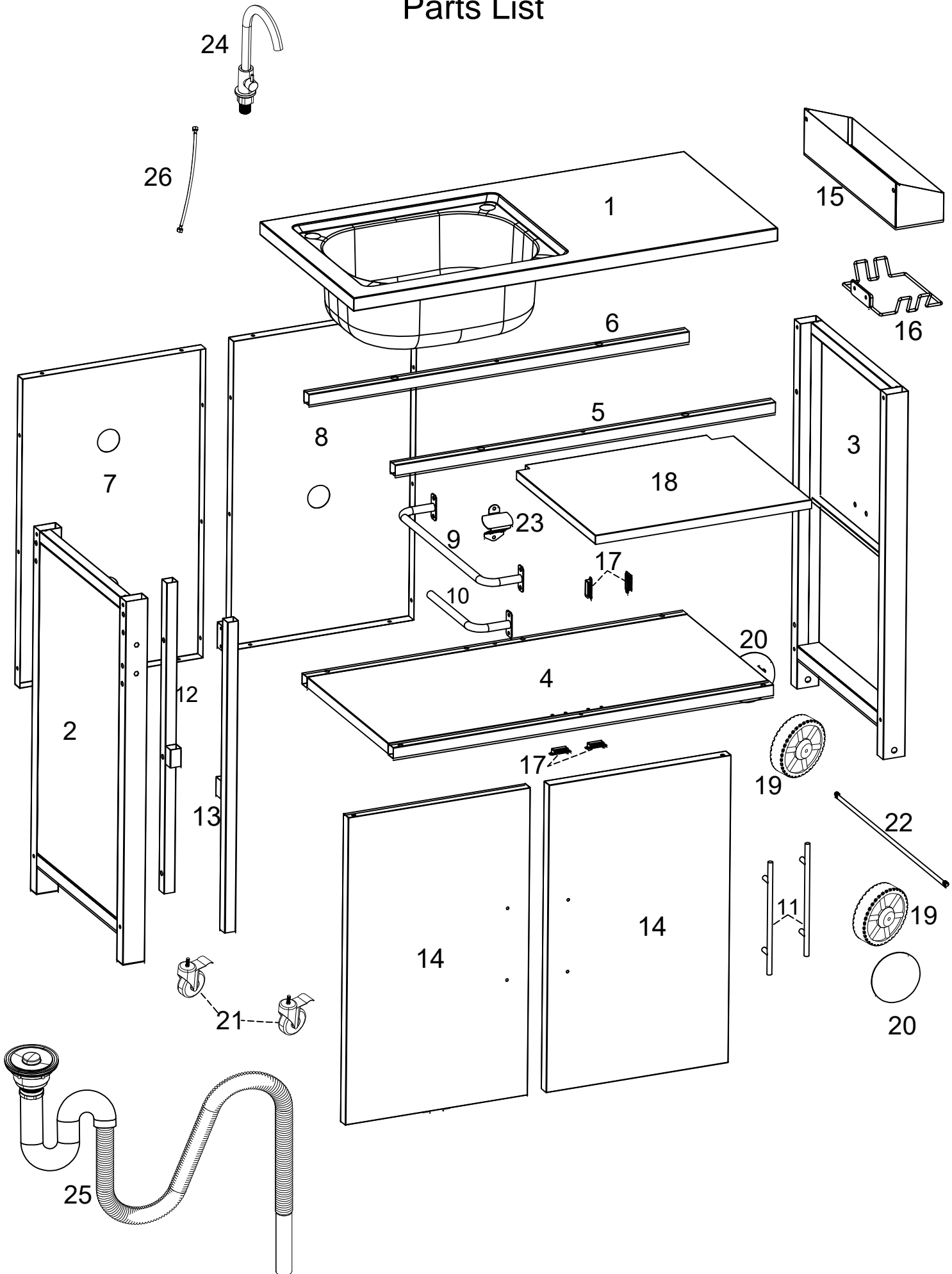


Installation Manual

Grill Cart With Sink

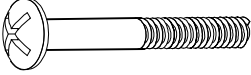
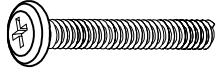
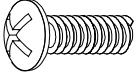
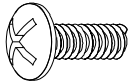
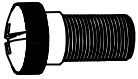
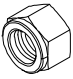
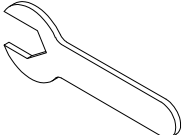


Parts List



Hardware List

- Carefully remove all the parts from the carton and place them individually on a softcloth to prevent scratches or other damage.
- Carefully and strictly follow these assembly&installation instructions to ensure acompleted product as designed.
- Do not tighten all the screws until each part is properly assembled.

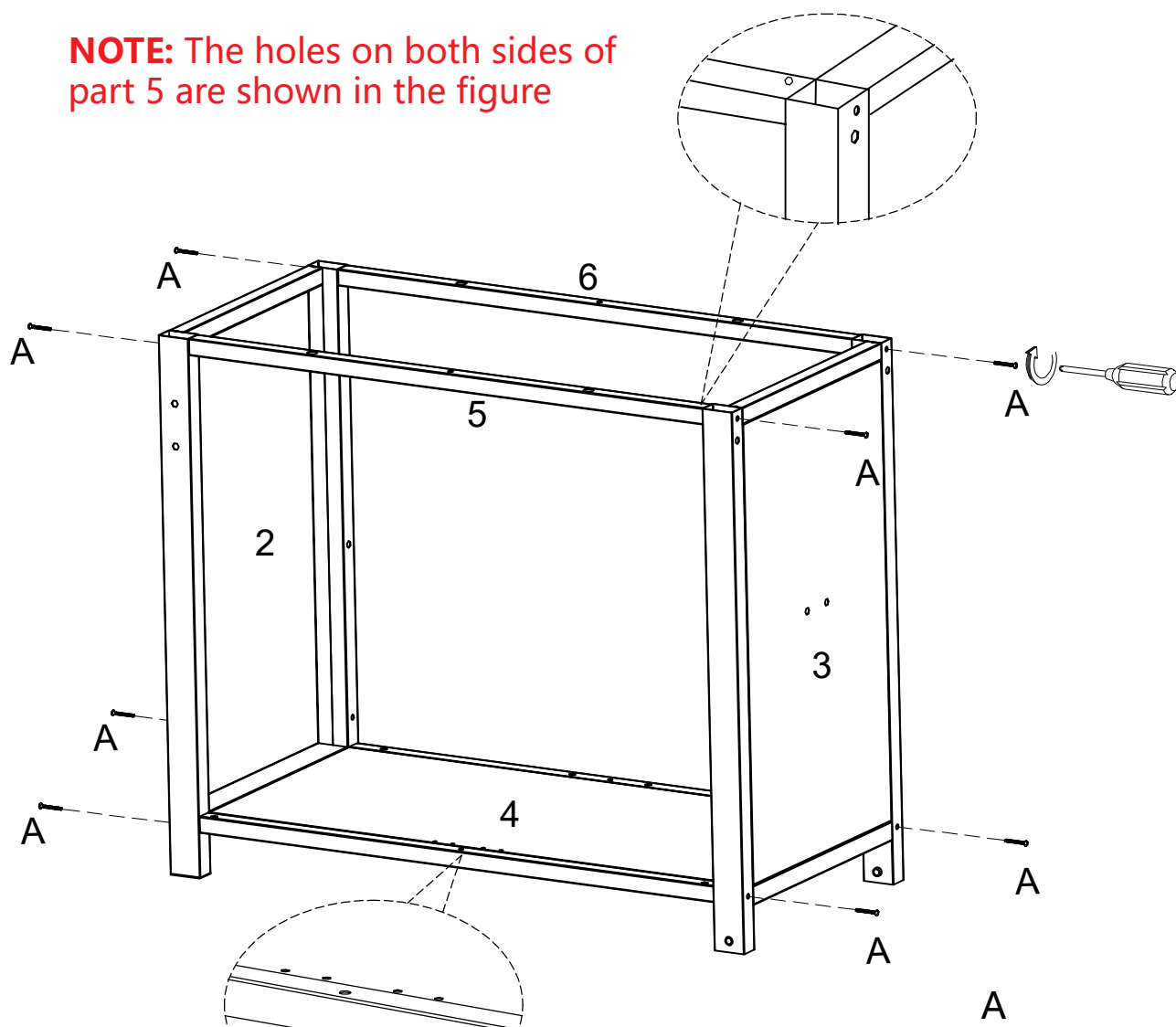
A		M6x70mm	Bolt	8 pcs
B		M6x40mm	Bolt	8 pcs
C		M6x14mm	Bolt	32 pcs
D		M4*8mm	Bolt	12 pcs
E		M6*10	Bolt	4 pcs
F		M8	Lock nut	2 pcs
G		M8	Wrench	1 pc

Step 1



A x 8

NOTE: The holes on both sides of part 5 are shown in the figure



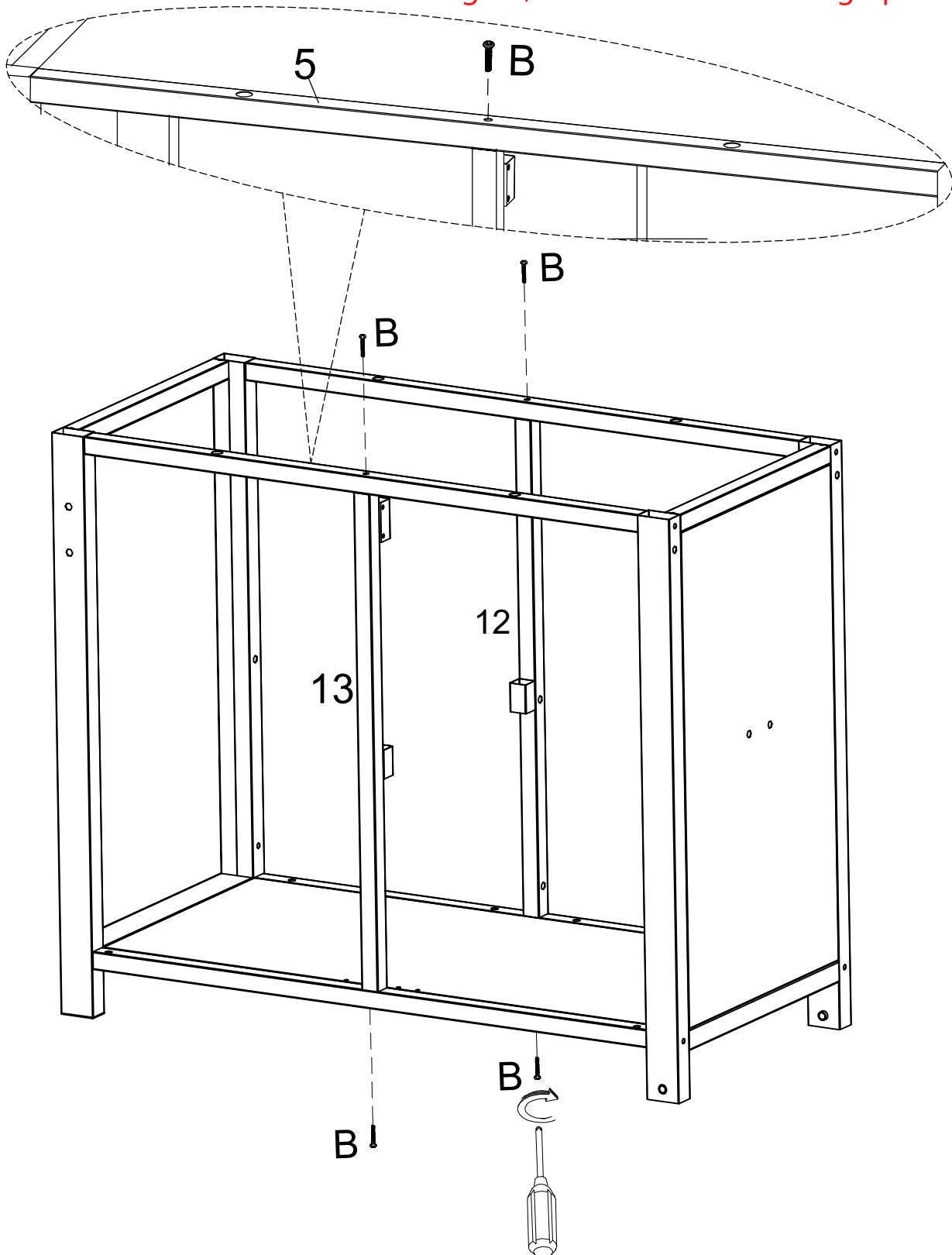
NOTE: The hole position of part 4 is shown in the figure

Step 2



B x 4

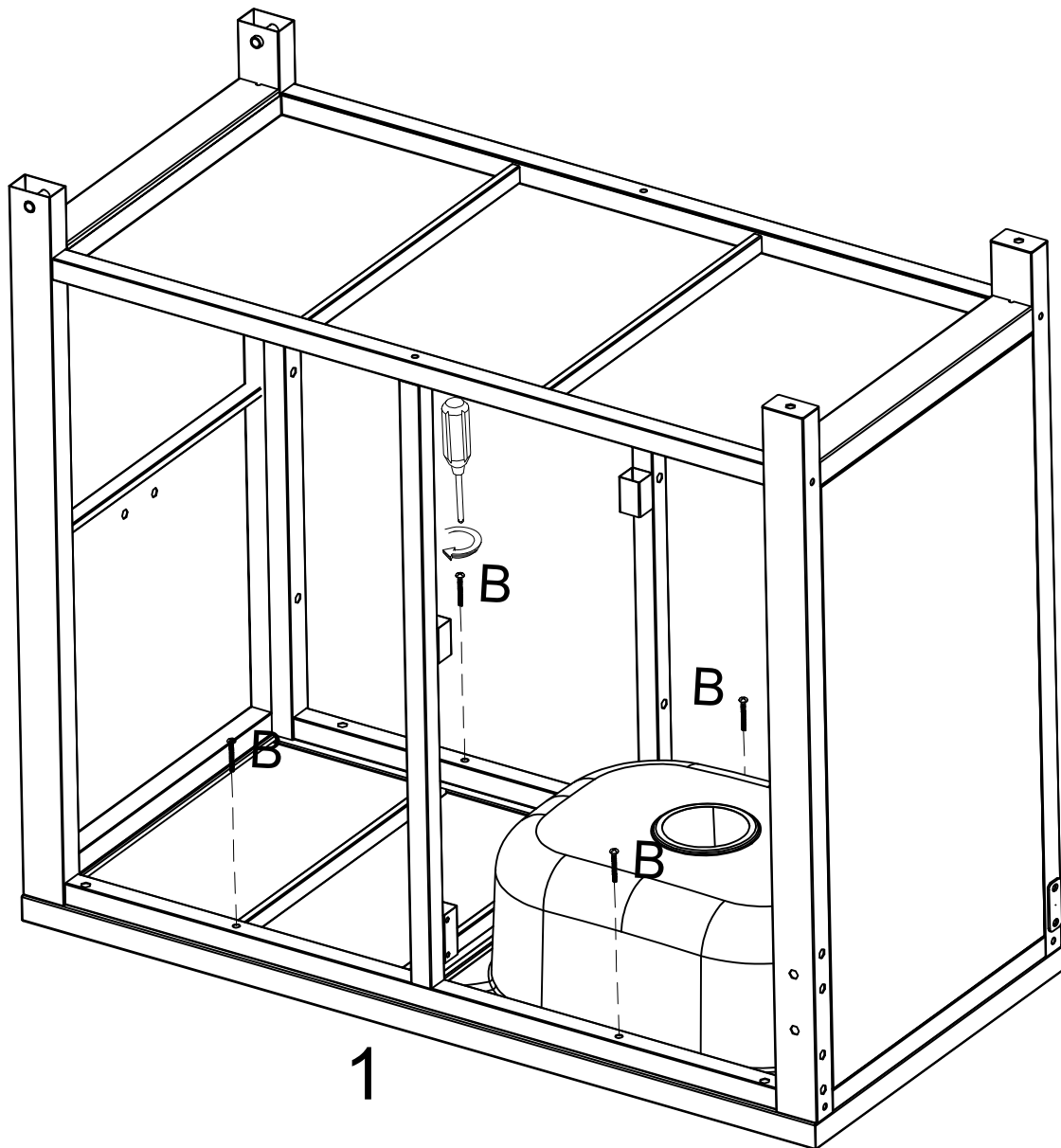
NOTE: The holes on part 5 are as shown in the figure, with three holes facing upwards.



Step 3



B x 4

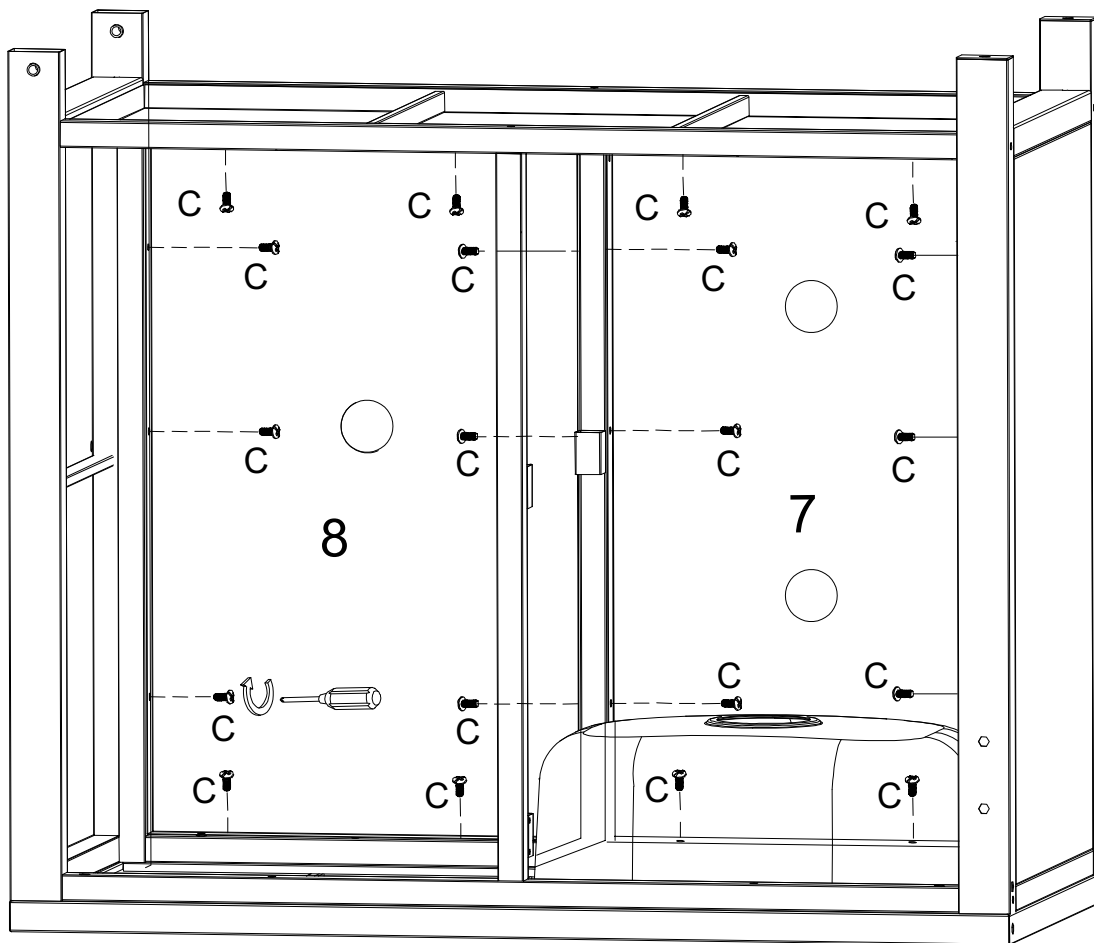


Step 4



C x 20

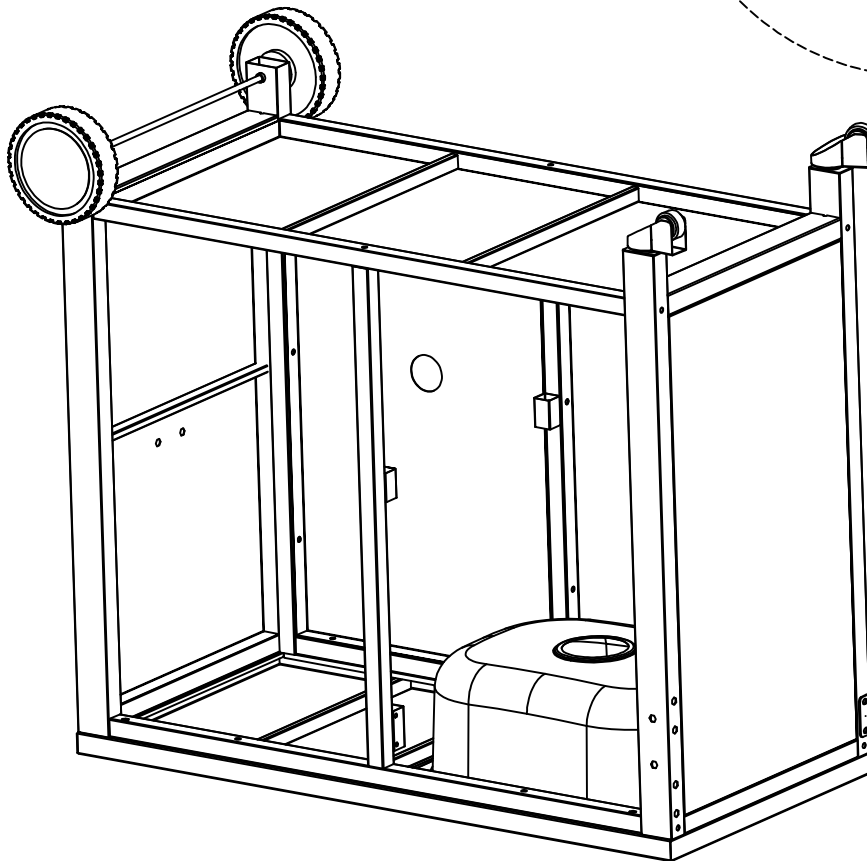
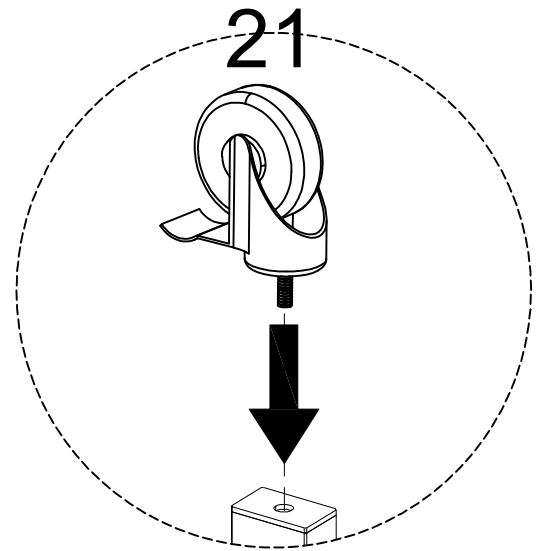
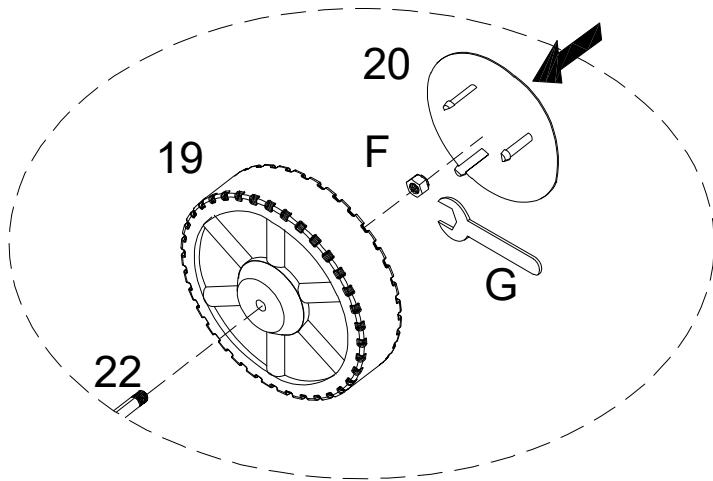
NOTE: Install part 7 on one side of the sink as vshown in the figure



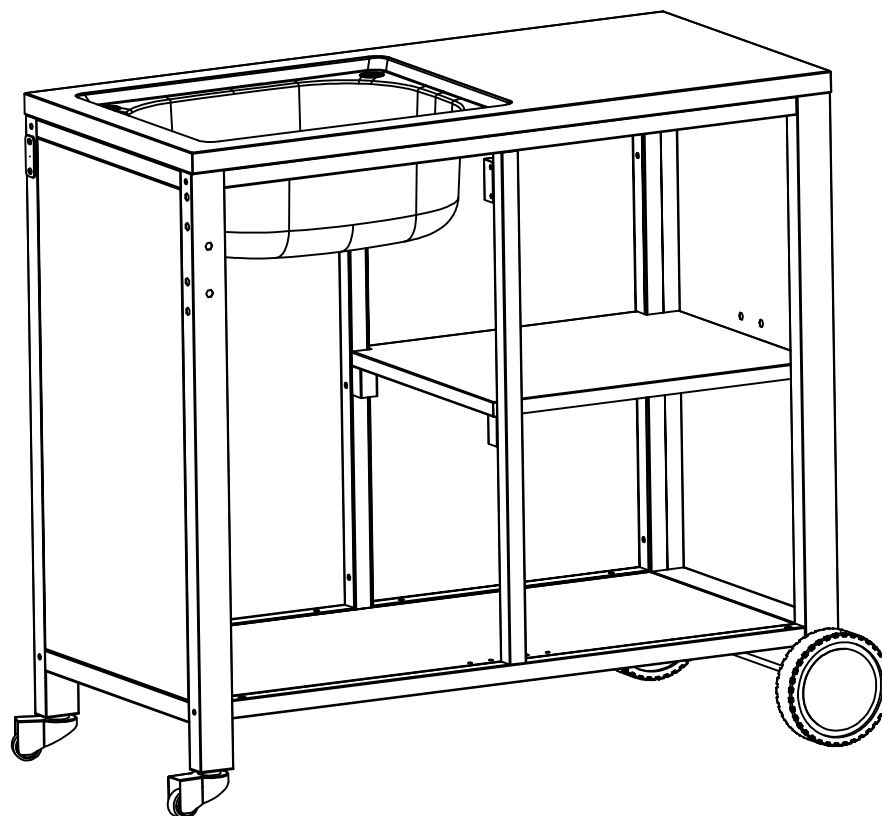
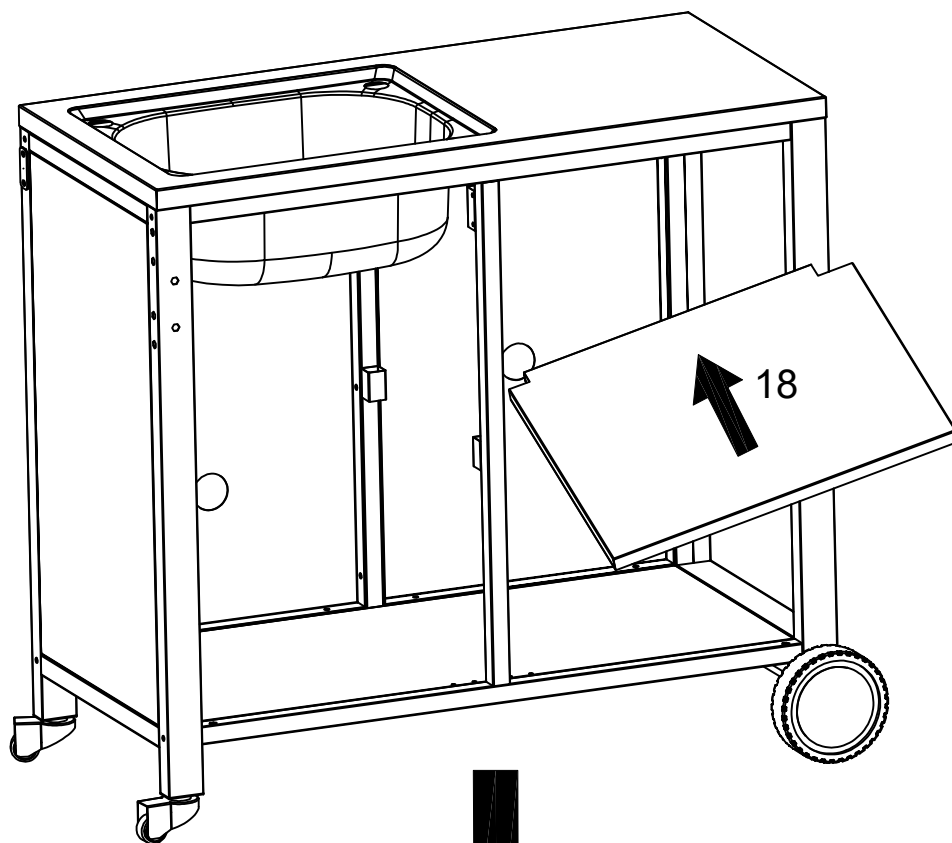
Step 5



F x 2



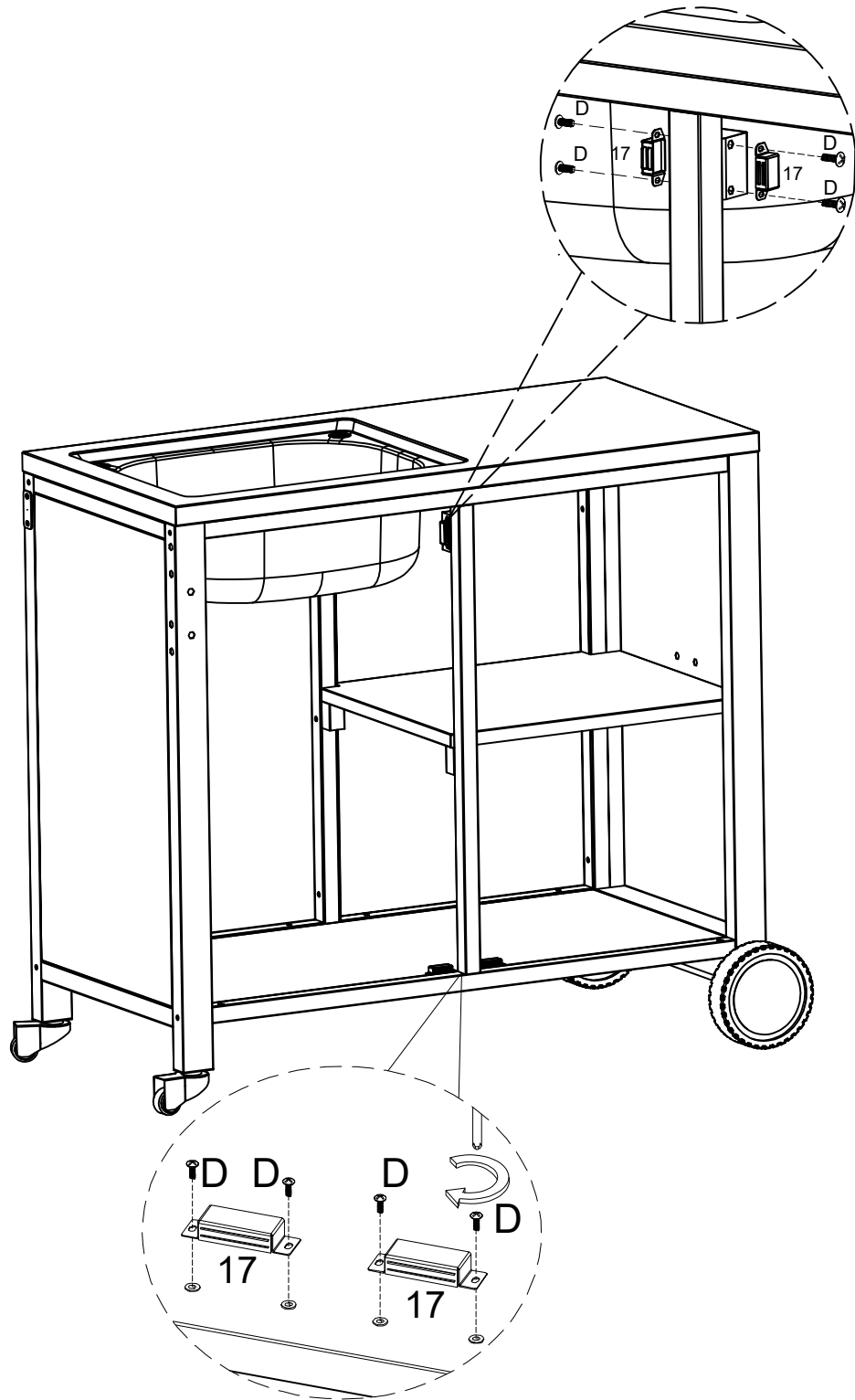
Step 6



Step 7



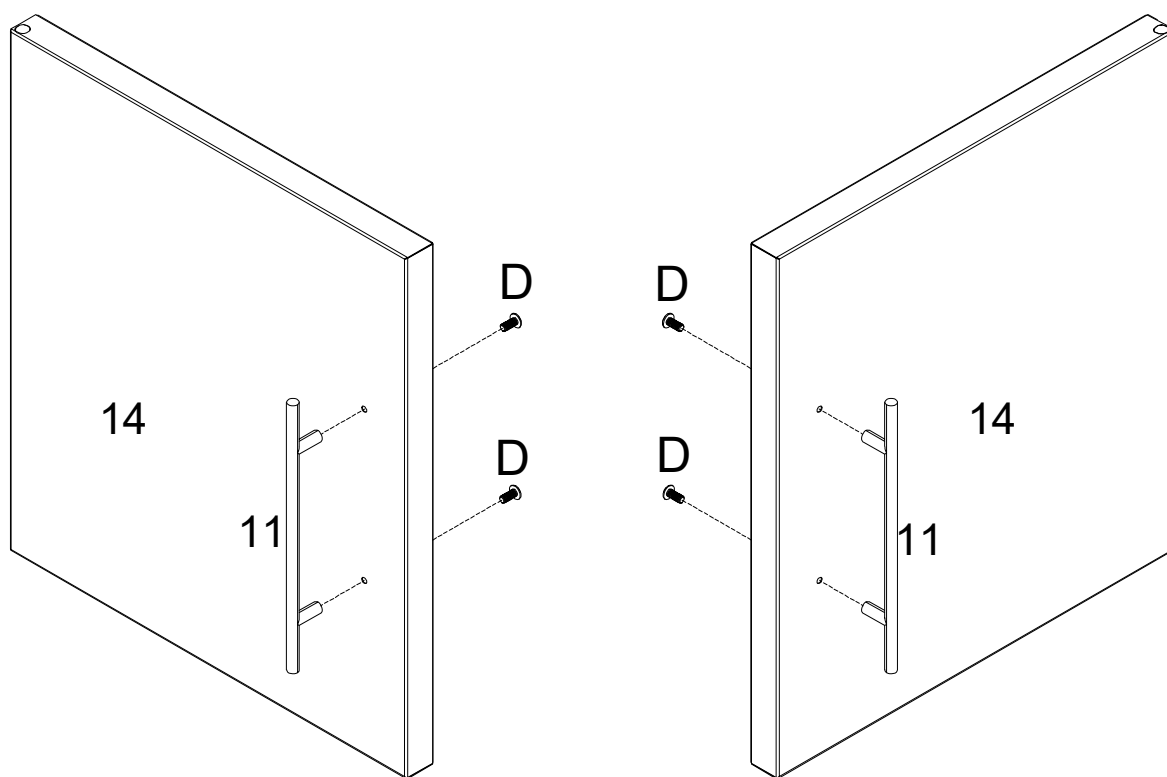
D x 8



Step 8



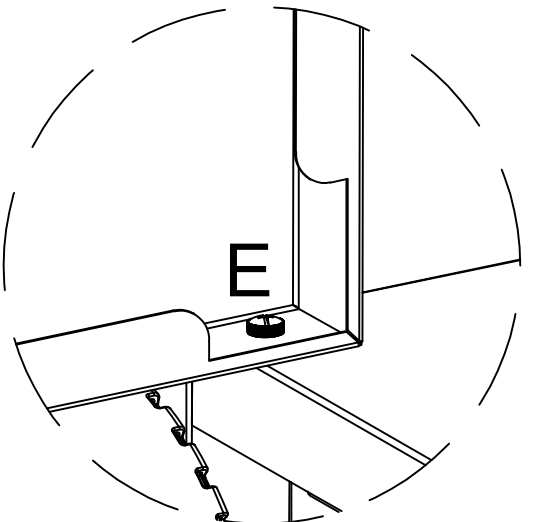
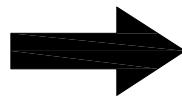
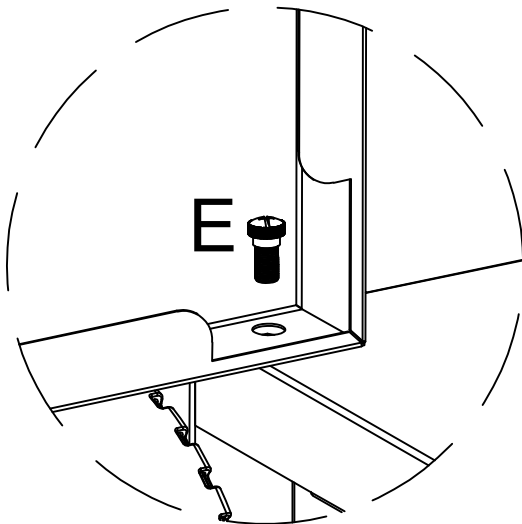
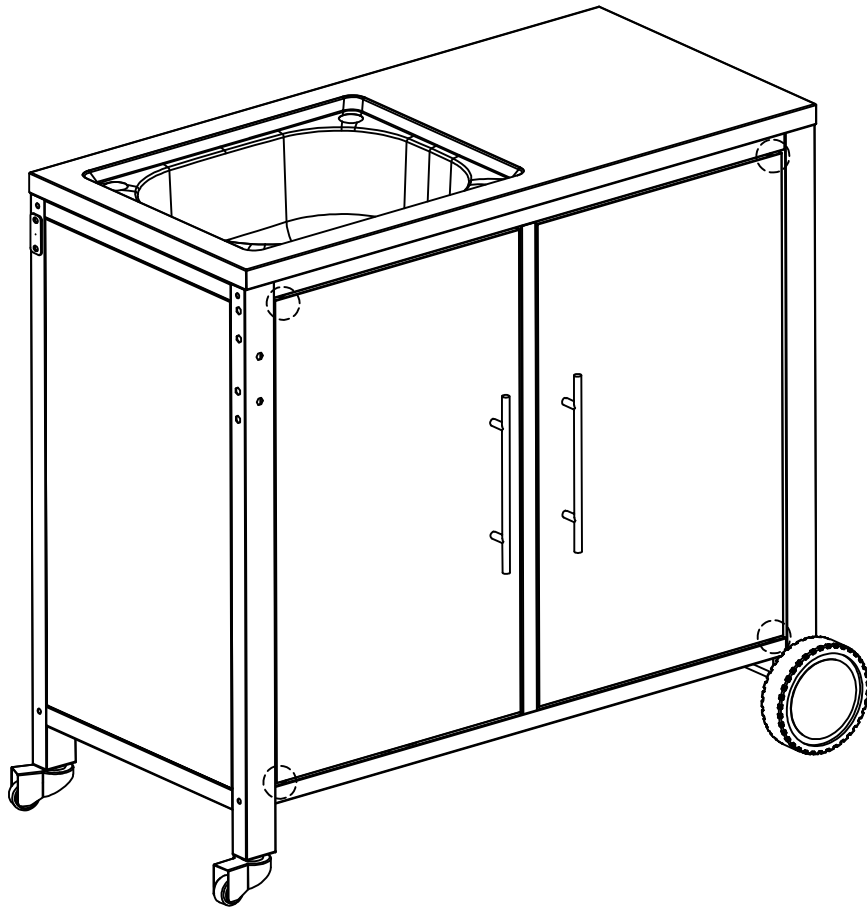
D x 4



Step 9



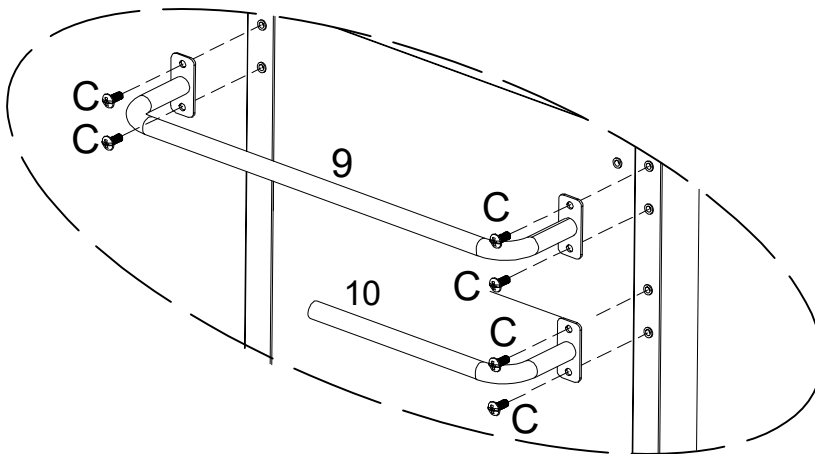
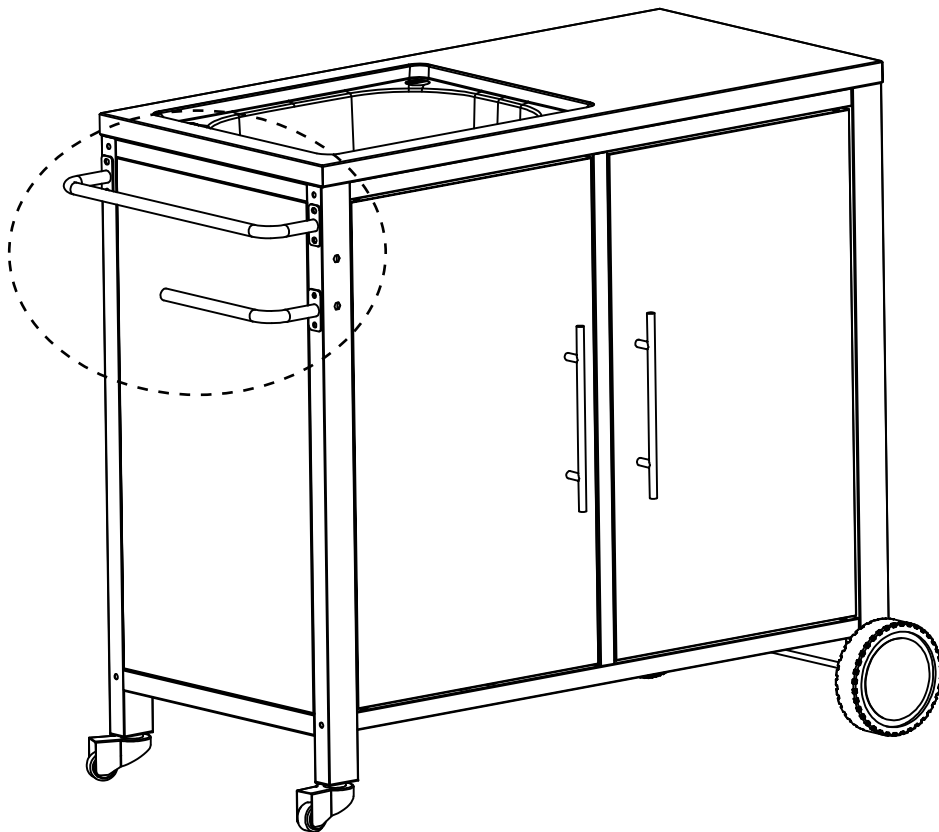
Ex 4



Step 10



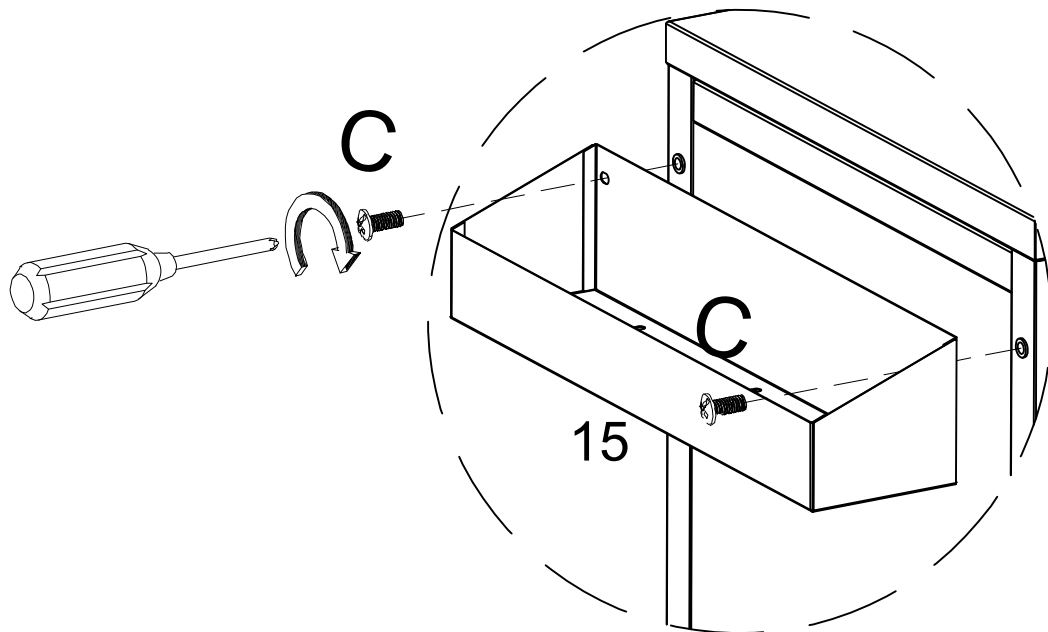
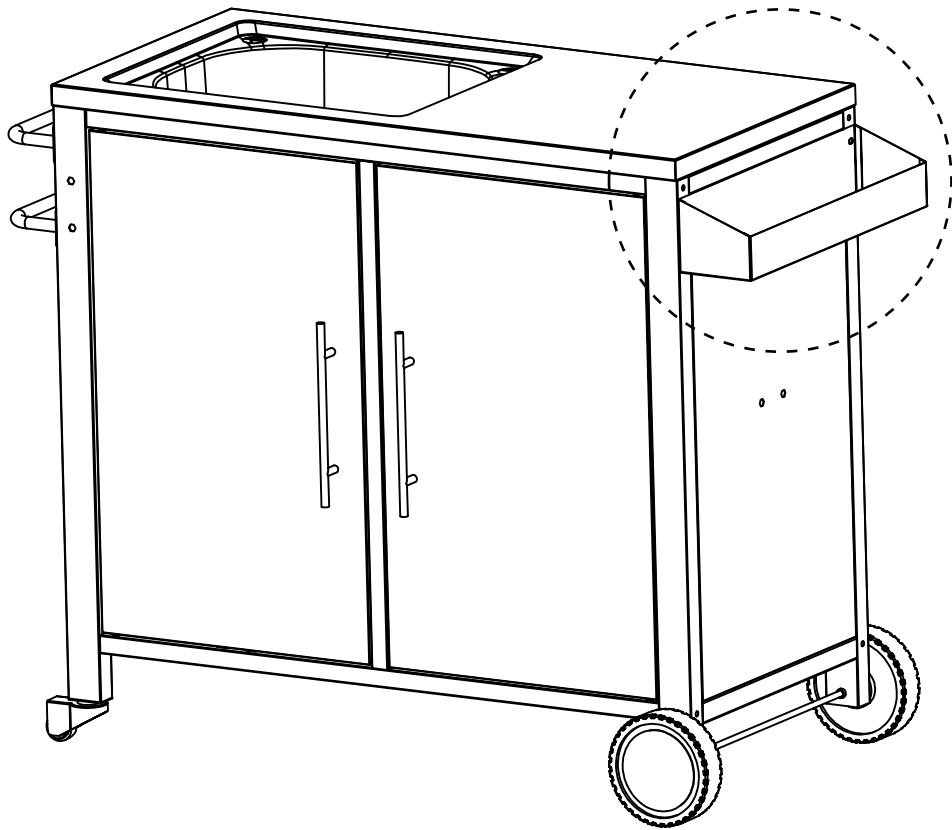
C x 6



Step 11



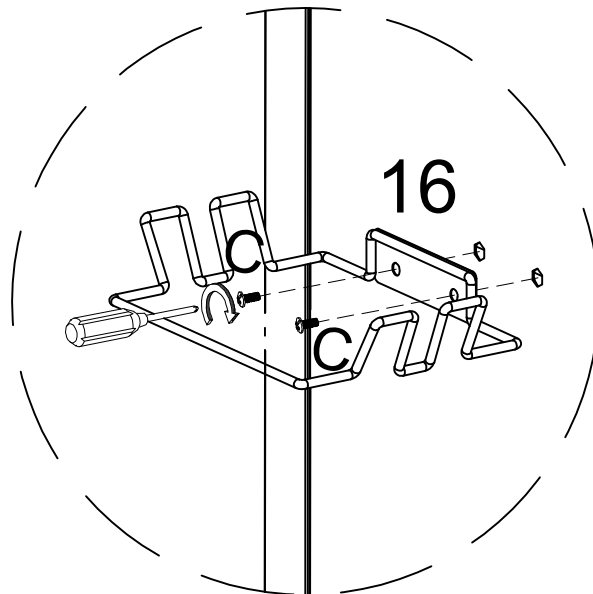
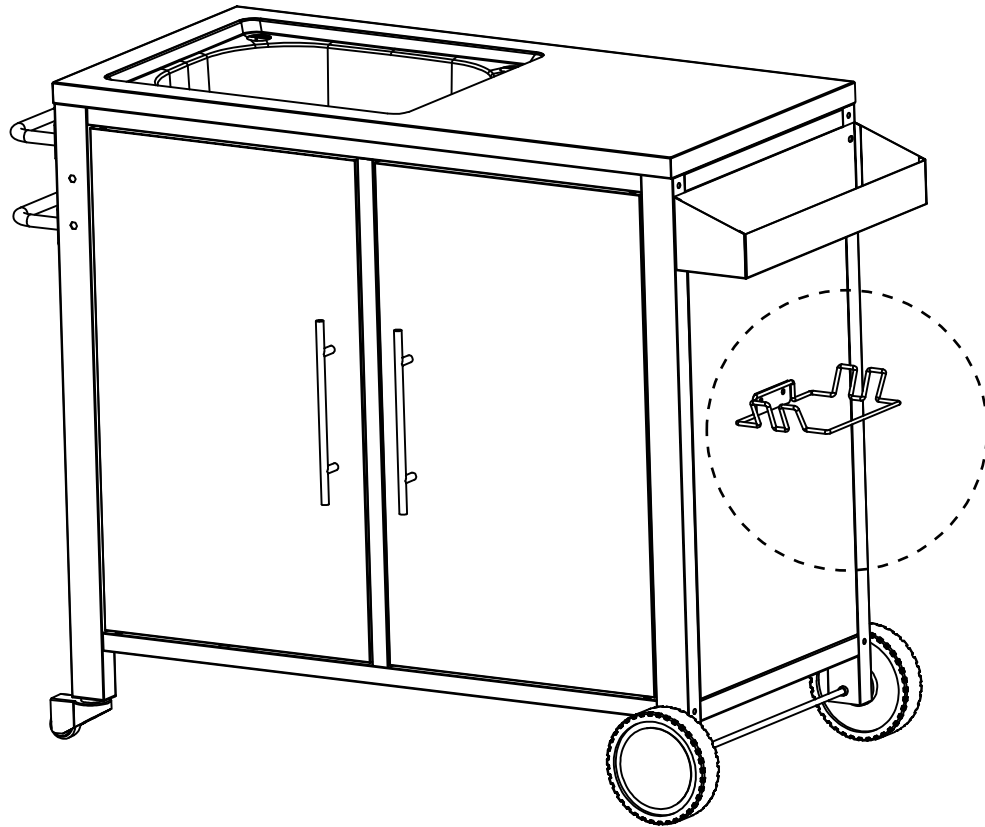
C x 2



Step 12



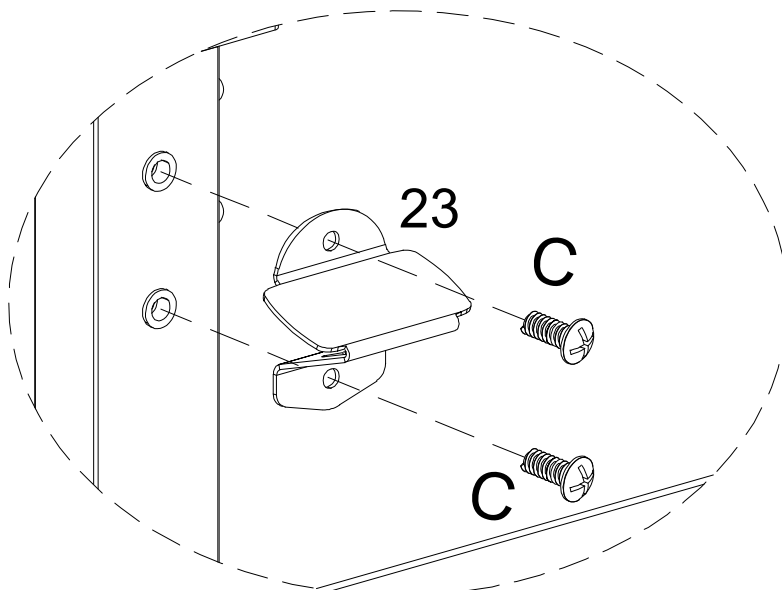
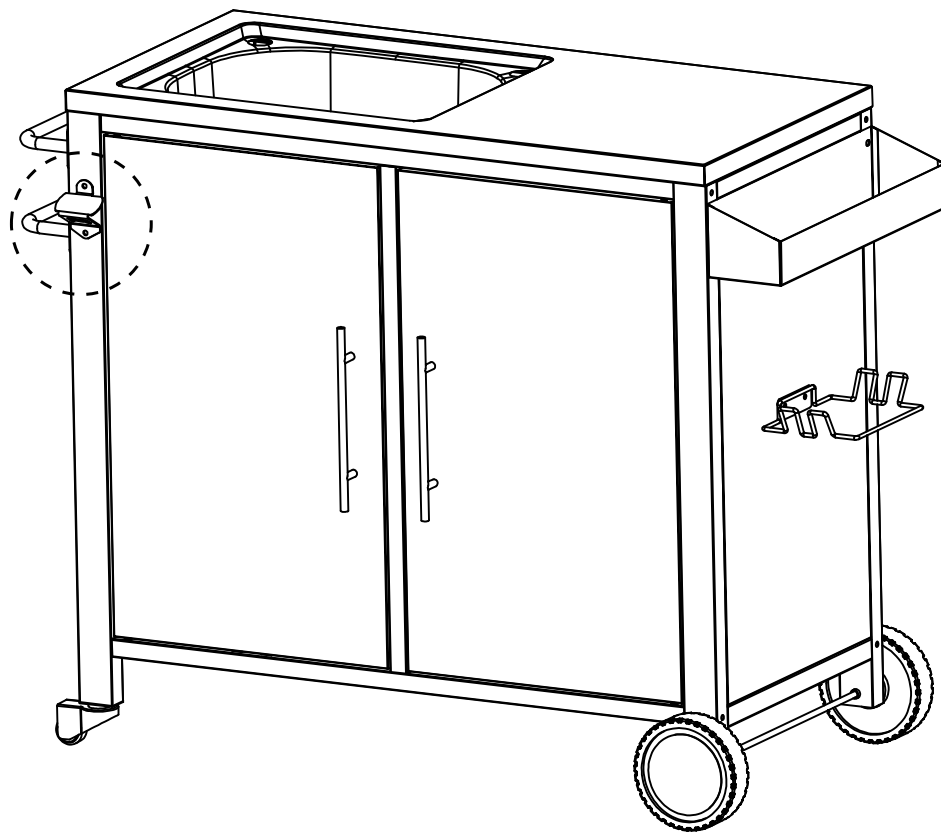
C x 2



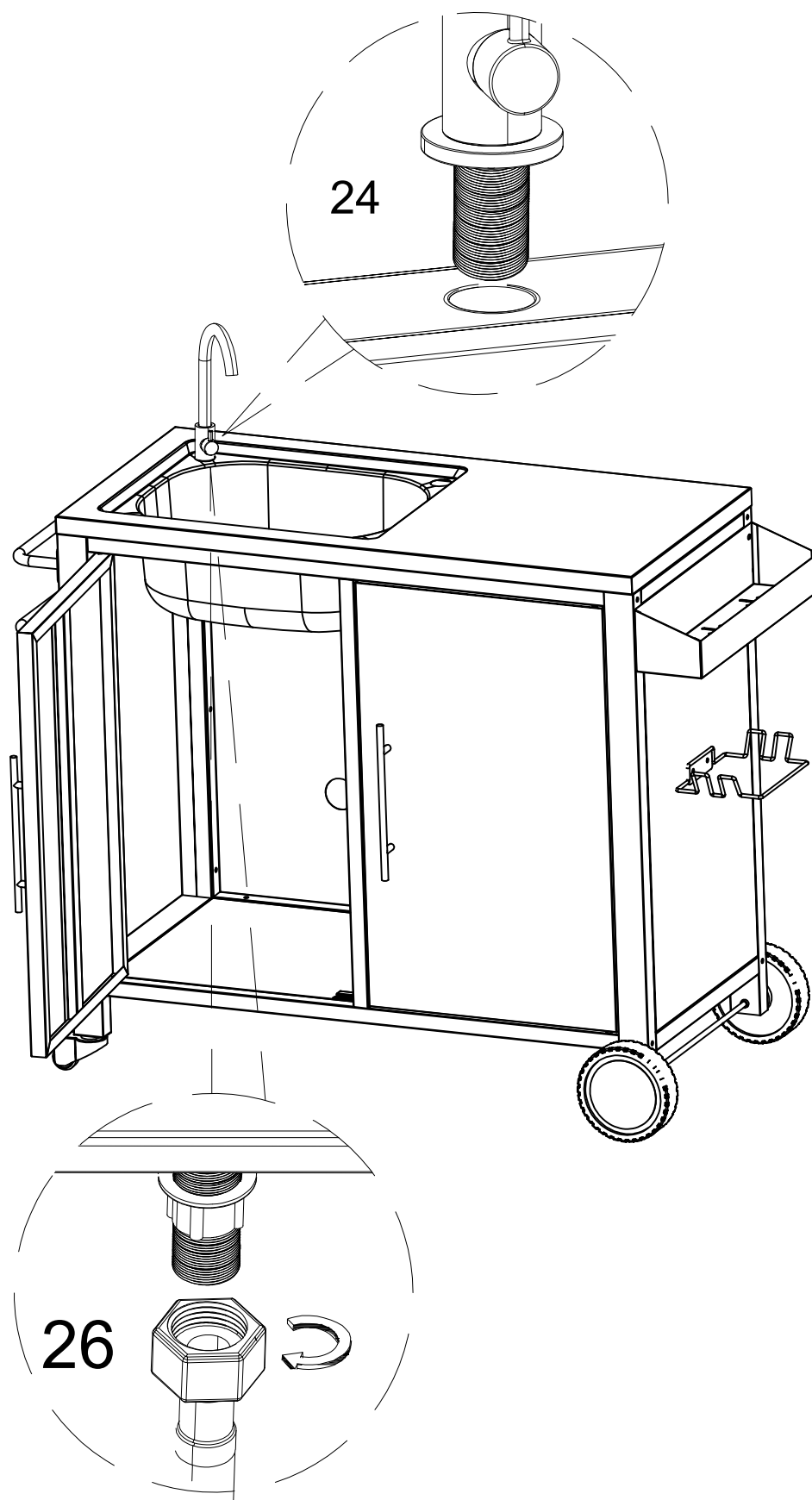
Step 13



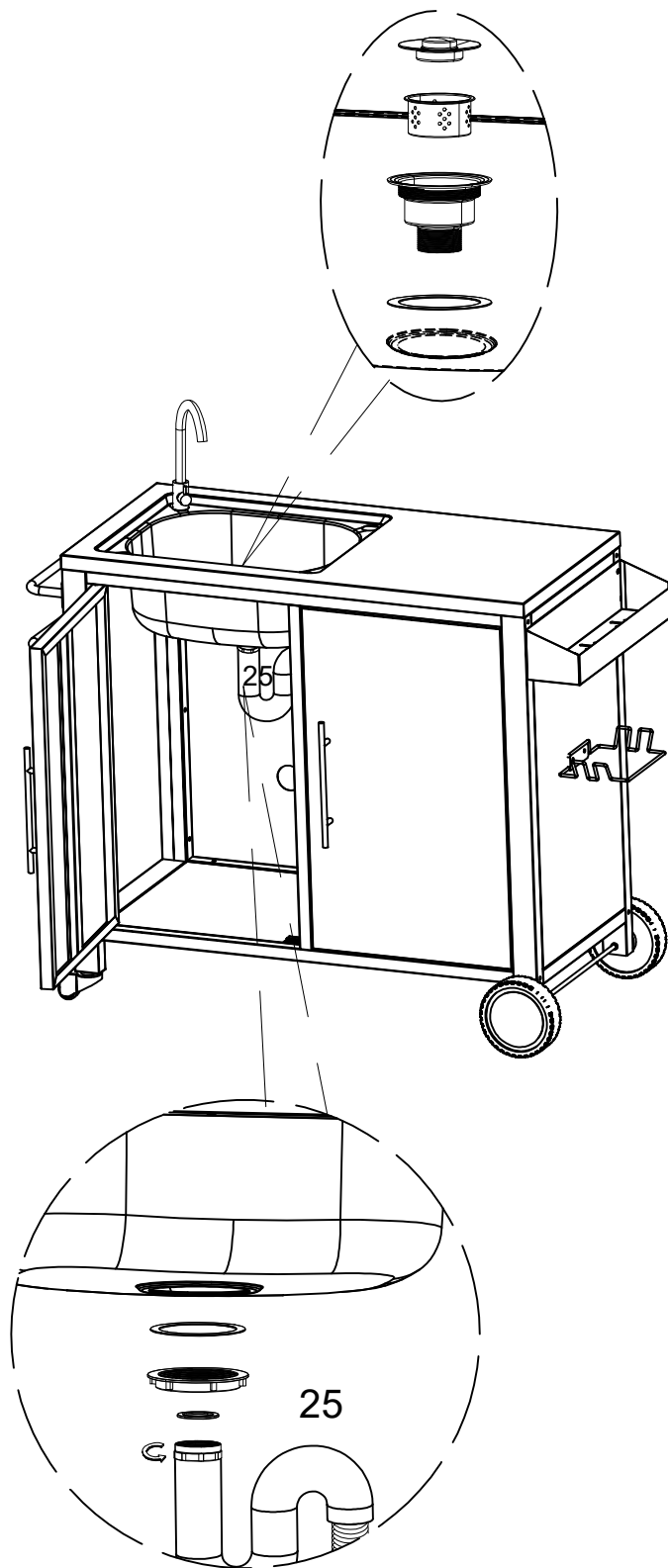
C x 2

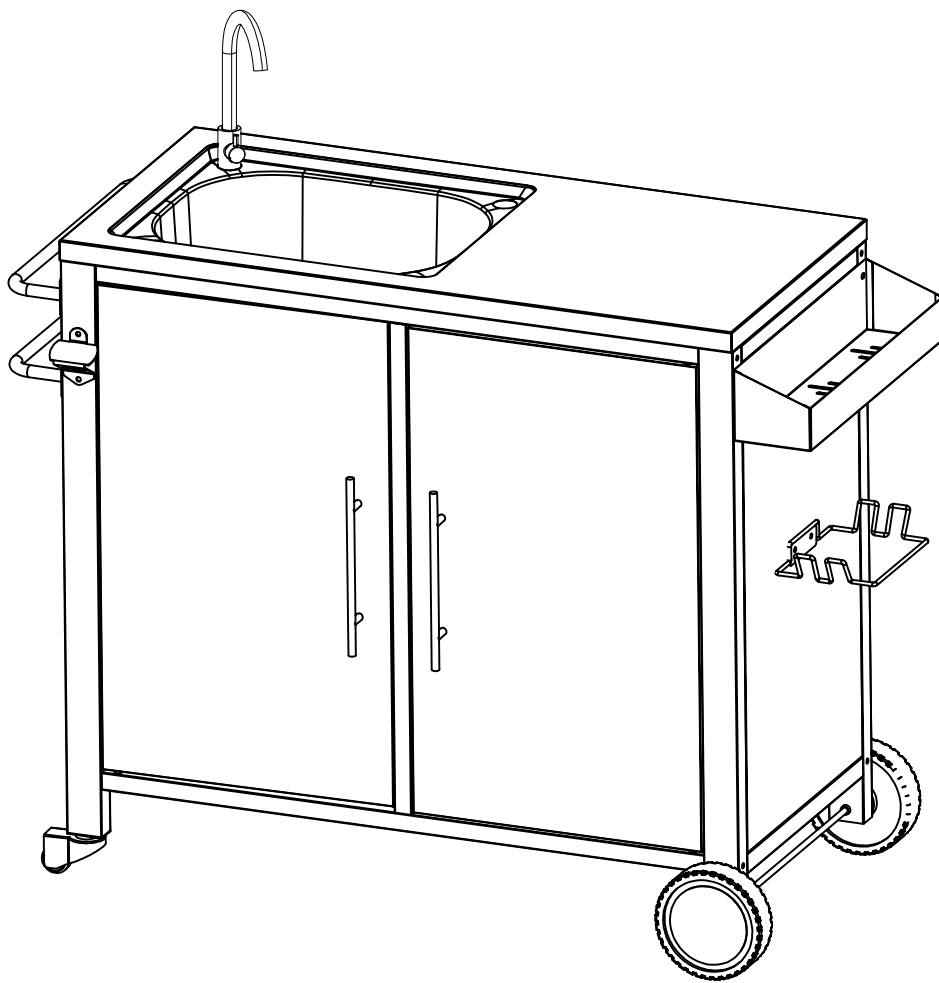


Step 14



Step 15





Final Assembly

