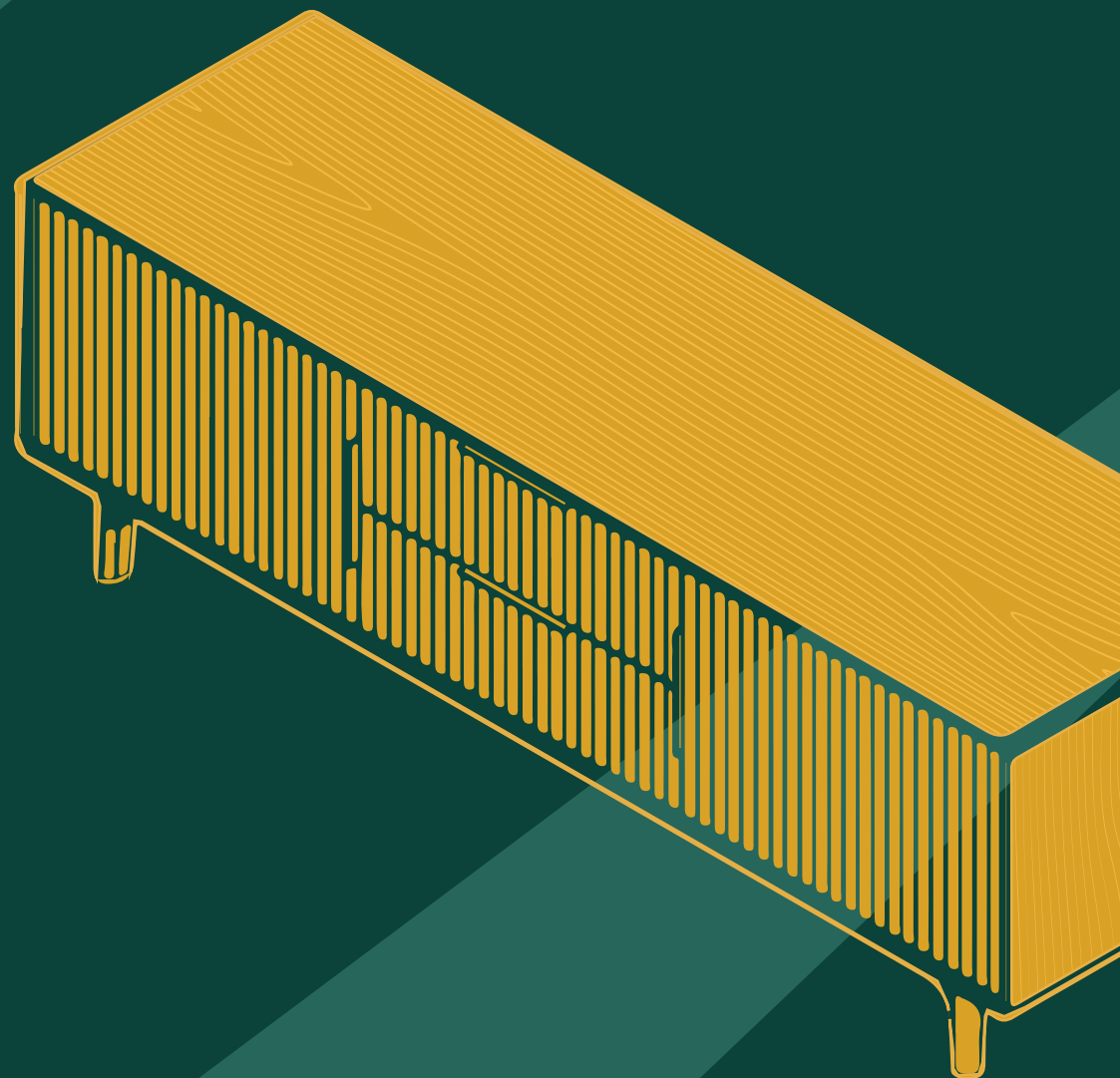


MEGSU

MEGSU

BOSK 

TV STAND



Thank you for purchasing this quality product. Be sure to check all packing material carefully for small parts which may have come loose inside the carton during shipment. Identify and count all parts and compare with the parts list below.












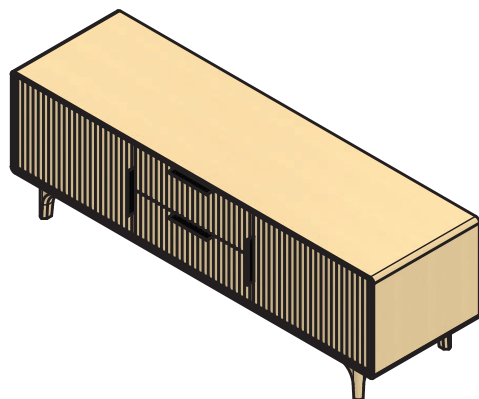
Read all assembly and care instructions carefully before using this product. Save these instructions for future reference.

- Select a smooth, level surface to place the dresser.
- Assemble components on a soft, clean surface to avoid scratching and/or damaging the finish.
- Ensure all parts are accounted for before disposing of packaging.
- Using incompatible hardware might cause damages to product.
- This package contains small parts. Keep away from children prior and during assembly. Adult assembly is required.

ASSEMBLY

PARTS INVENTORY CONT		
ID	DESCRIPTION	Qty
A	BOTTOM BOARD	1
B	LEGS	4
C	SIDE BOARD	2
D1	MIDDLE BOARD 1	1
D2	MIDDLE BOARD 2	1
E	BACK BOARD	1
F	TOP BOARD	1
G	DOOR	2
H	FRONT DRAWER	2
I1	SIDE DRAWER 1	2
I2	SIDE DRAWER 2	2
J	BACK DRAWER	2
K	BOTTOM DRAWER	2

PARTS INVENTORY		
ID	DESCRIPTION	Qty
1	ALLEN KEY 	2
2	SET BOLT M8x60 	4
3	SET BOLT M6x25 	16
4	CAMLOCK PIN 	16
5	CAMLOCK 	16
6	HINGER 	4
7	CREWS M3,5x12 (SILVER) 	24
8	CREWS M3,5x12 (BLACK) 	8
9	HANDLE 	4



IMPORTANT INFORMATION

Under normal use, Bosk TV Stand will last for years.

It is, however, important to follow basic care tips to prolong the life of your TV Stand.

USE & CARE

- Clean the product with mild cleanser using soft dampened cloth.
- Do not use harsh or abrasive cleansers.
- Alter the finish might damage the integrity of the product.
- Avoid dragging sharp or rough objects across the surface.
- Avoid direct sunlight exposure.
- Do not place near heating units or vents.
- Promptly wipe up any spills or any other moisture.

TROUBLESHOOTING

If the TV Stand seems unstable, make sure it is on a level surface and the feet are correctly distributed as shown in the assembly instructions. Also make sure that all components are assembled correctly and the hardware is securely tightened.

Any modification or failure to follow the recommended care will void the product warranty.

WARRANTY INFORMATION

Thank you for choosing Megsu. We stand behind our brand and the quality of the items we sell.

Megsu is not responsible for normal wear and tear, for products used commercially or for failures caused by accidents, abuse, alteration, modification, misuse or improper care. There are no other express warranties beyond the terms of this limited warranty. In no event shall any implied warranties, including merchantability and fitness for a particular purpose, extend beyond the duration of the express warranty contained herein. In no event shall Megsu be liable for incidental or consequential damages.

For warranty duration, please refer to our website at megsu.com.

Replacement parts or products will be sent at our discretion if the defect is the result of any fault on our side. Proof of purchase, with the date of purchase as well as photos of the defective merchandise, must be provided. Photos are used to determine the cause of defects and for future quality control. Please contact Megsu Customer Service directly; or if you have any questions, comments or concerns by emailing us at contact@megsu.com

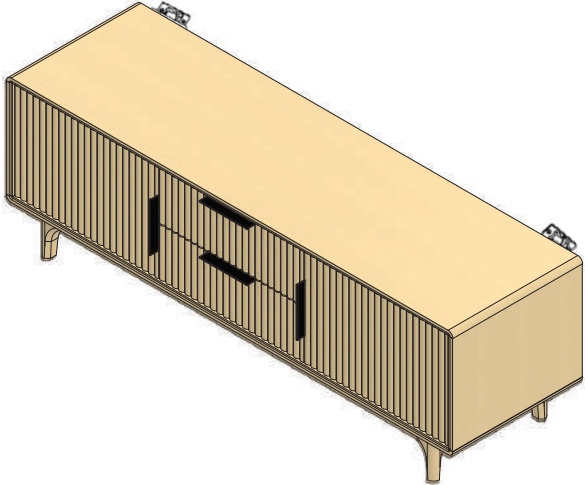


WARNING!

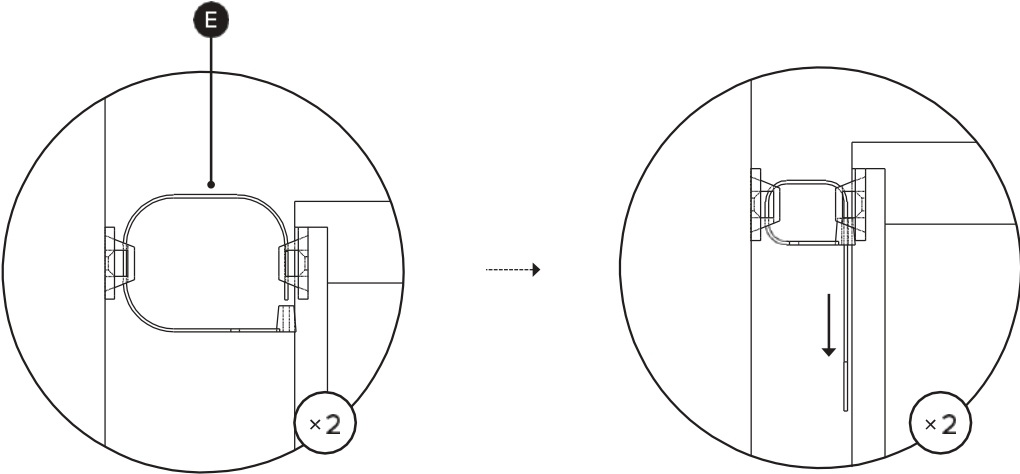
Manufacturer and seller expressly disclaim any and all liability from personal injury, property damage or loss, whether direct or indirect, or incidental, resulting from the incorrect attachment, improper use, inadequate maintenance, or neglect of this product, external influence, and force majeure.

2D

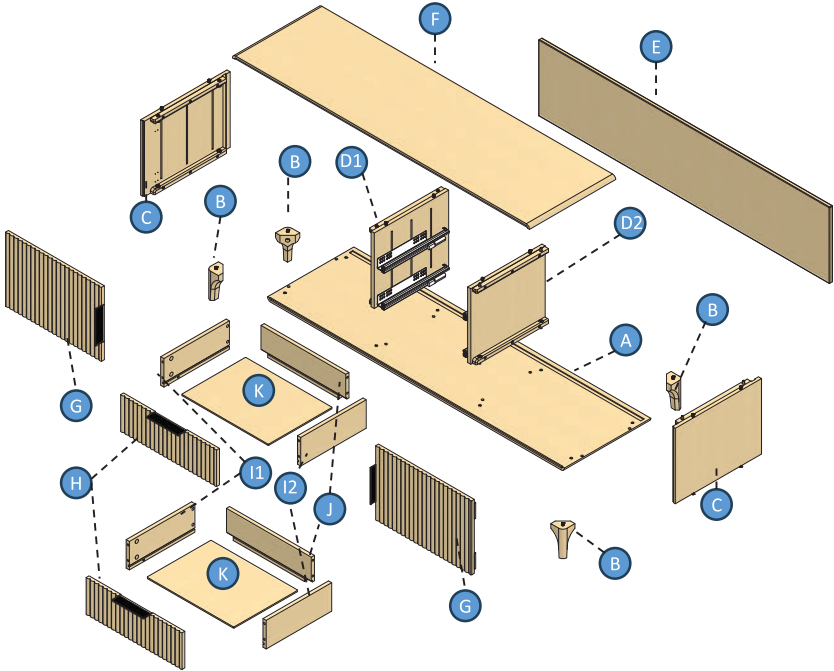
Align brackets on unit with brackets on wall.



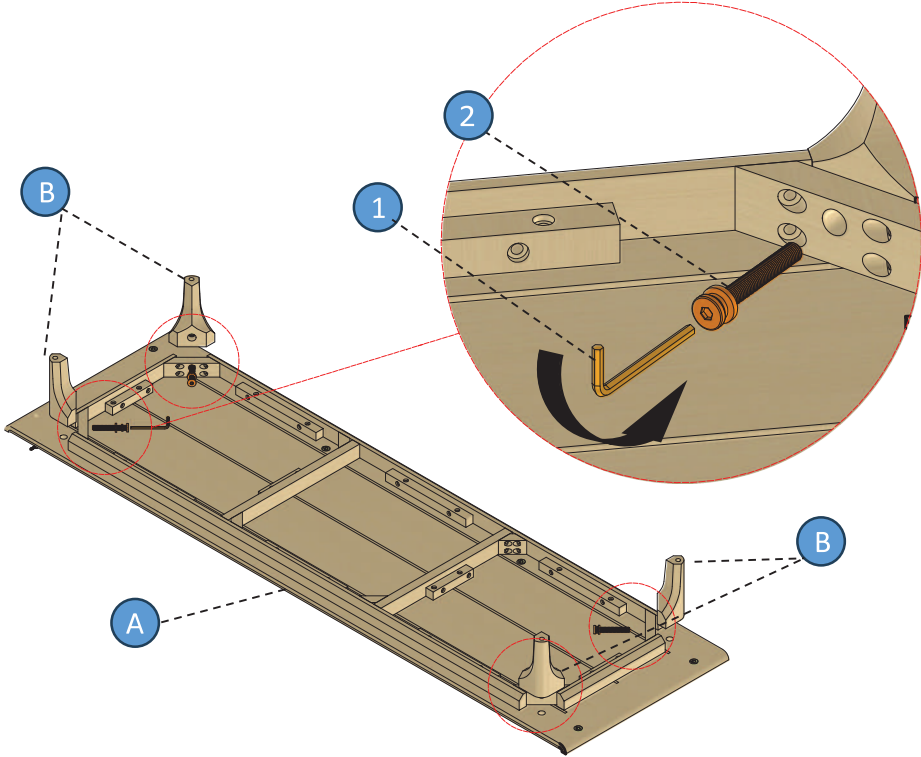
2E



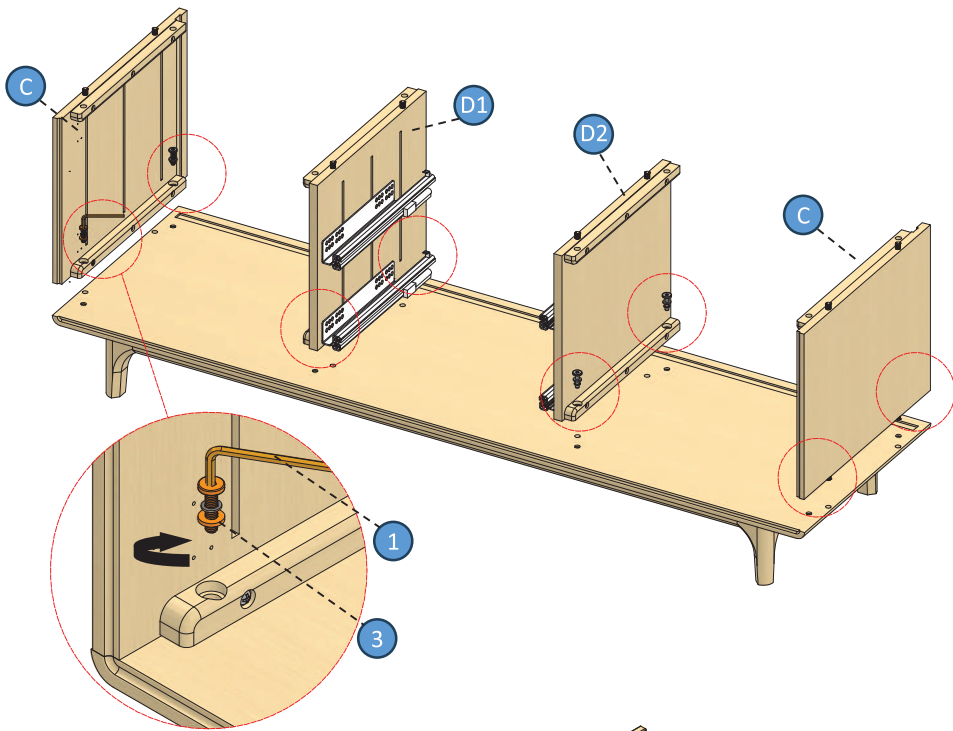
Pull strap down until it snap-locks.



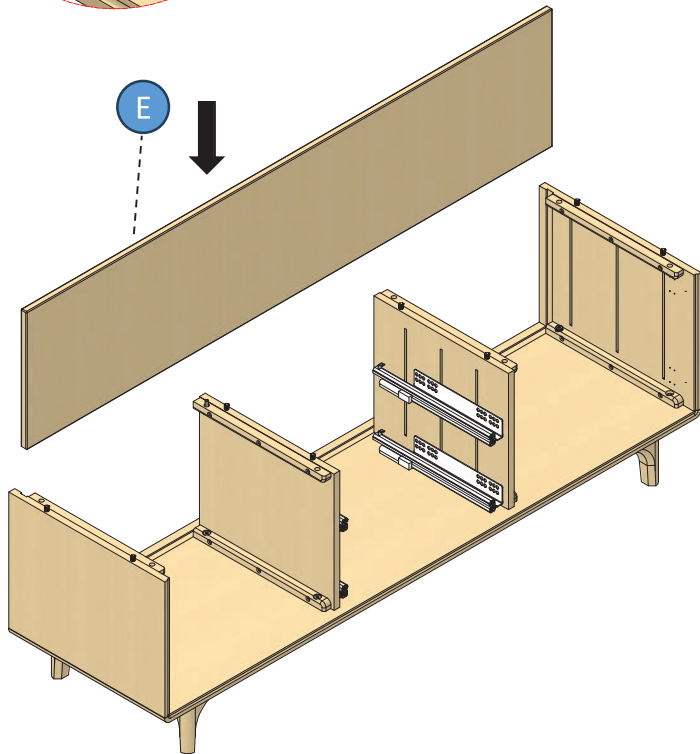
1



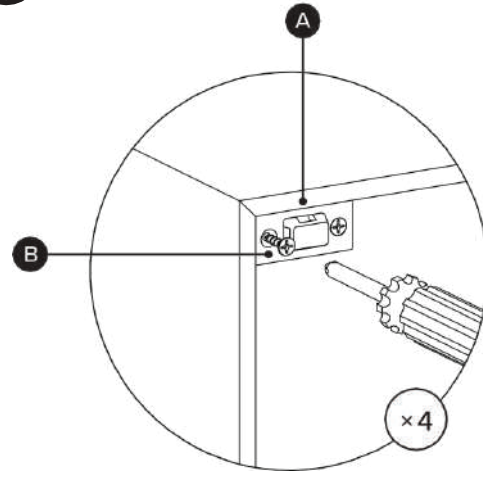
2



3

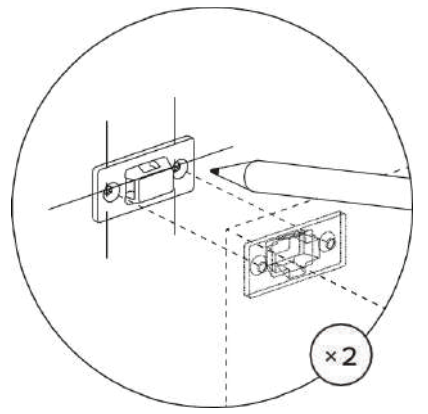


2A



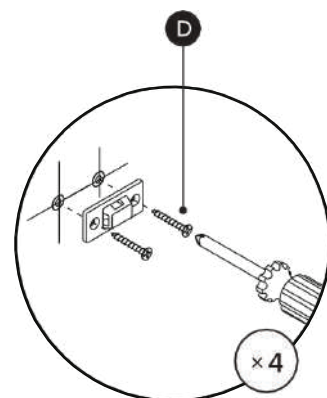
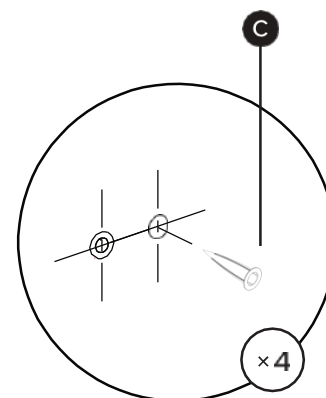
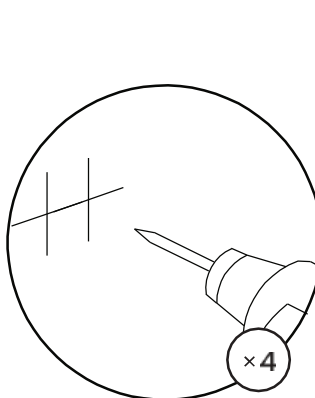
Attach pair of brackets to top corners of the back of the unit. Note there are no existing pilot holes on the product.

2B



Mark on wall where second pair of brackets should be placed.

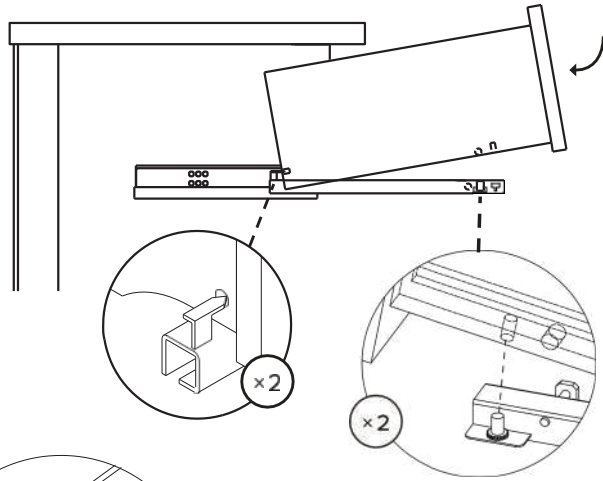
2C



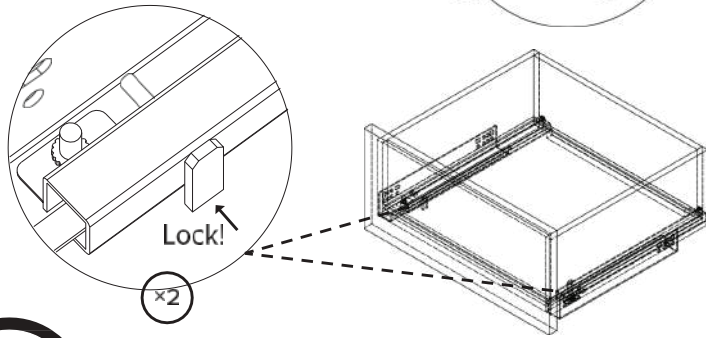
Drill holes in wall using 8mm / 5/16" drill bit.

INSTALL DRAWER

1



2



ANTI-TIP RESTRAINT INSTALLATION

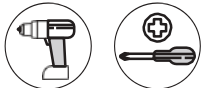
! WARNING!

Children have died from furniture tipover. To reduce the risk of furniture tipover:

- ALWAYS install tipover restraint provided.
- NEVER put a TV on this product.
- NEVER allow children to stand, climb or hang on drawers, doors, or shelves.
- NEVER open more than one drawer at a time.
- Place heaviest items in the lower drawers.



TIME # OF PEOPLE DIFFICULTY

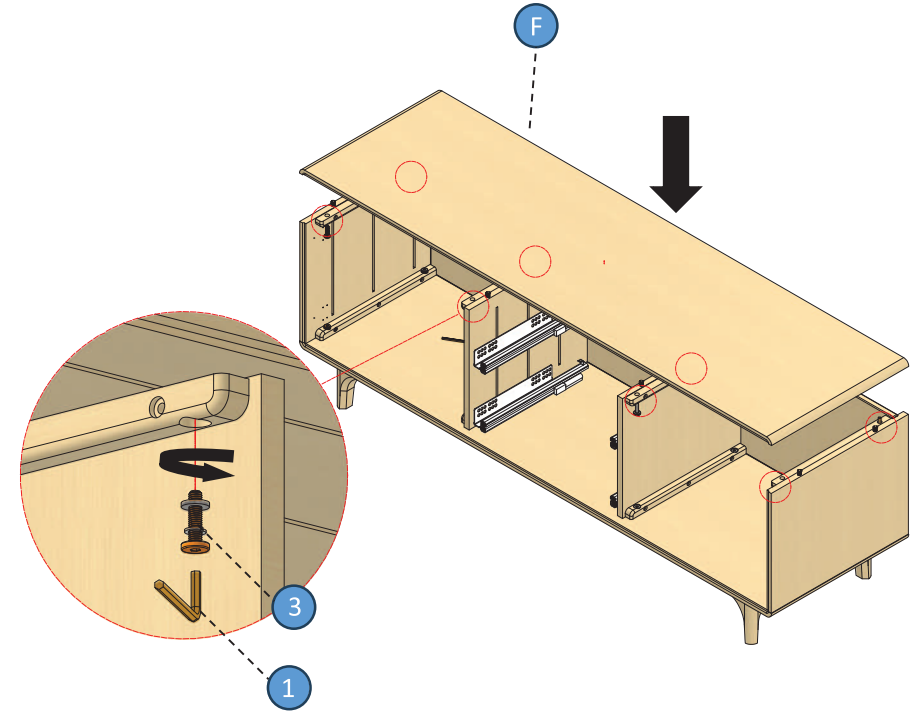


REQUIRED TOOL REQUIRED TOOL
8MM / 5/16" DRILL BIT

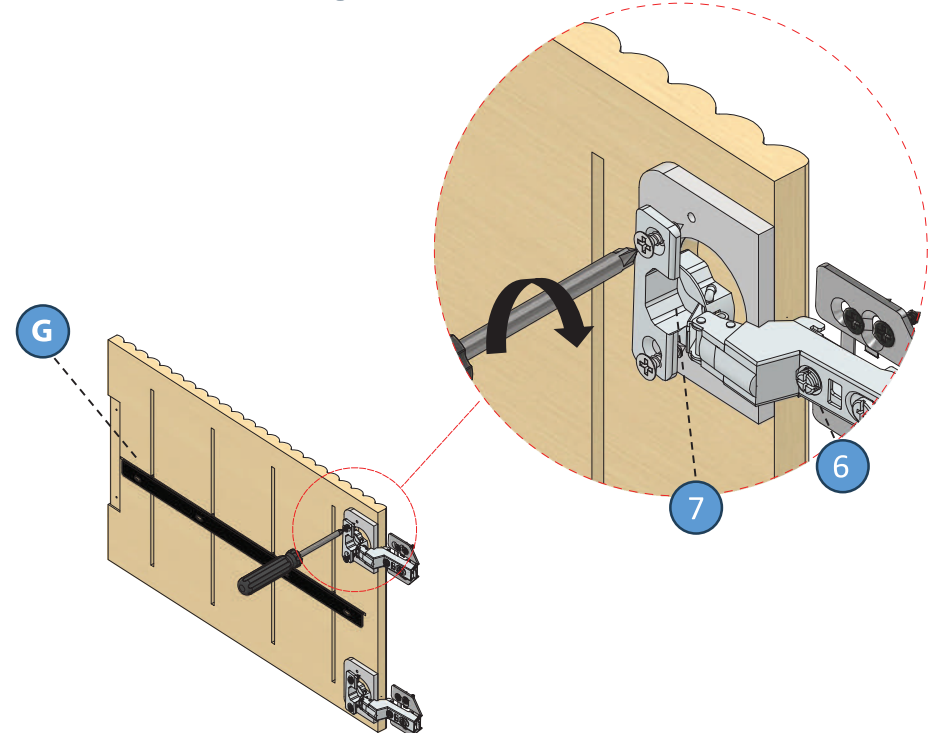
PARTS INVENTORY			
ID	DESCRIPTION		QTY
A	BRACKET		4
B	M4 × 20MM SCREW		4
C	M8 × 40 MM PLUG		4
D	M4 × 40 MM SCREW		4
E	STRAP		2

! Hardware (C/D) to attach brackets to wall is designed for drywall. To attach this unit to another type of wall, consult with your local hardware store.

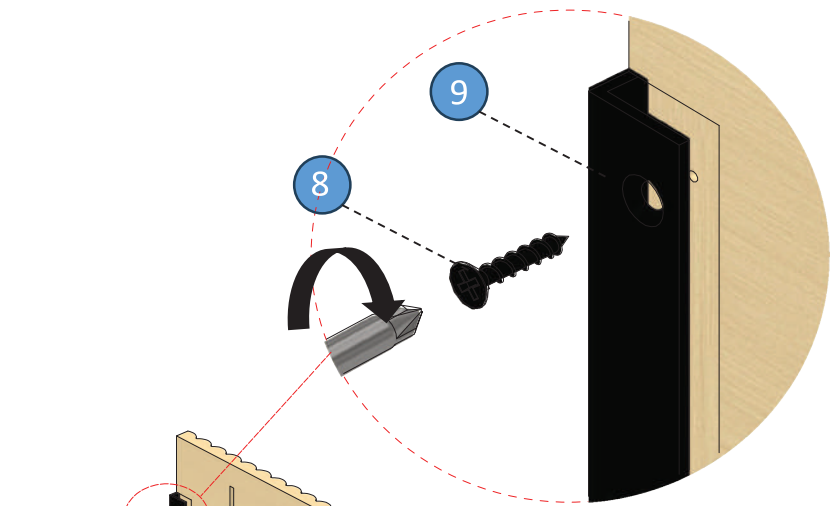
4



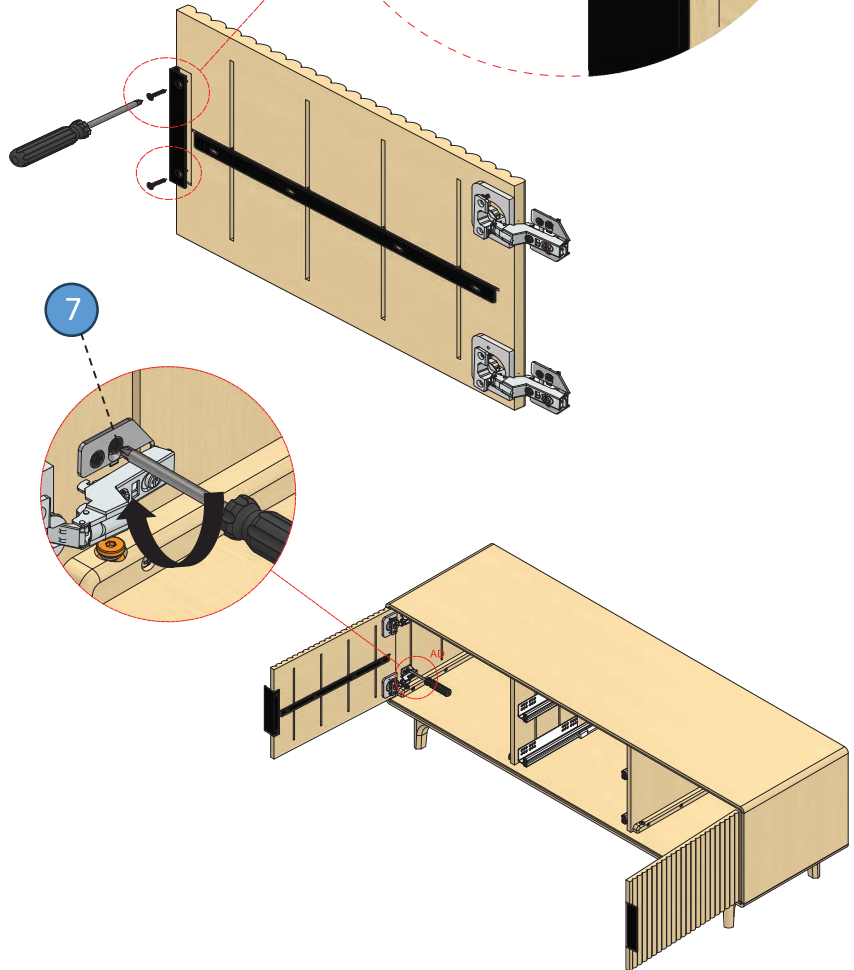
5



6



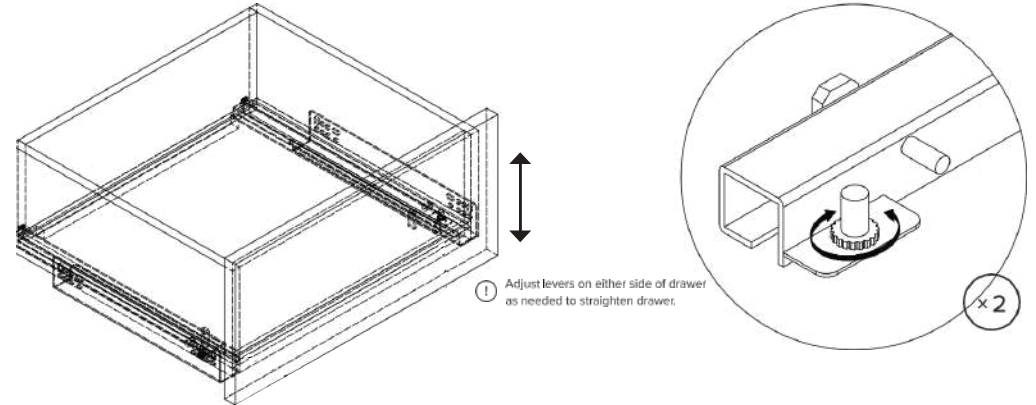
7



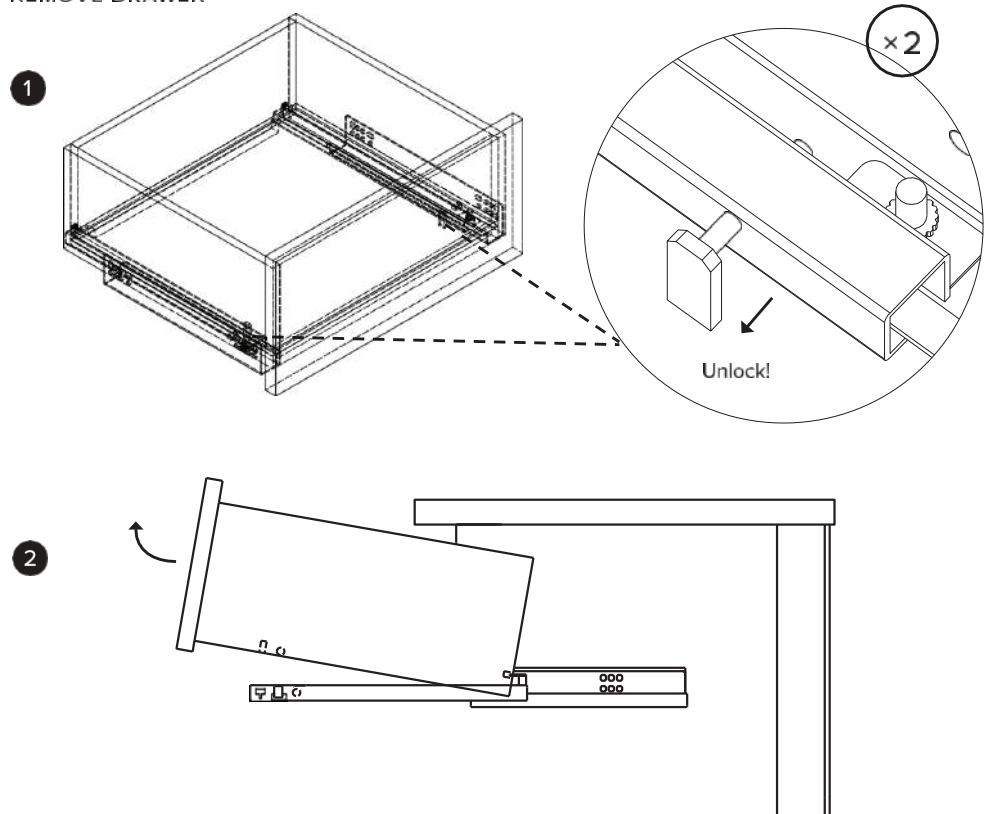
SOFT CLOSING DRAWERS - MCM RECORD PLAYER UNIT

ADJUSTMENT INSTRUCTIONS

FIX A CROOKED DRAWER

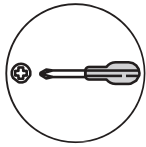


REMOVE DRAWER



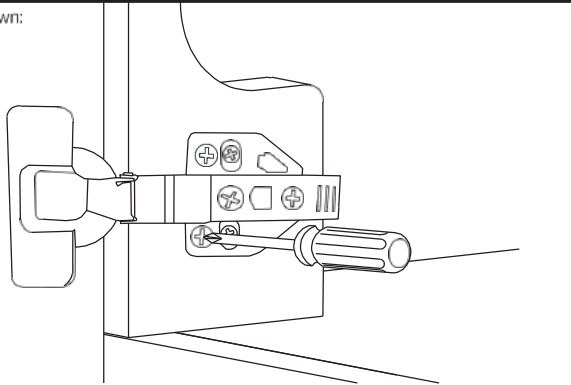
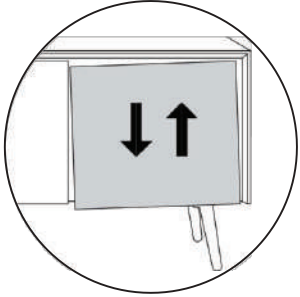
DOOR ADJUSTMENT INSTRUCTIONS

! During shipping, the doors of your cabinet may have shifted slightly. This can easily be corrected by tightening a few screws. Always start by adjusting the top hinge on the affected door.

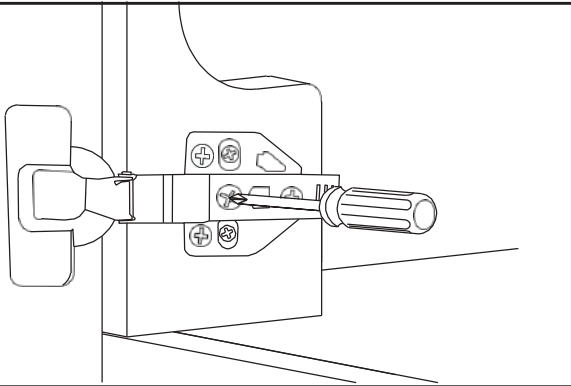
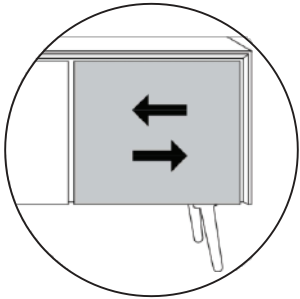


REQUIRED TOOL

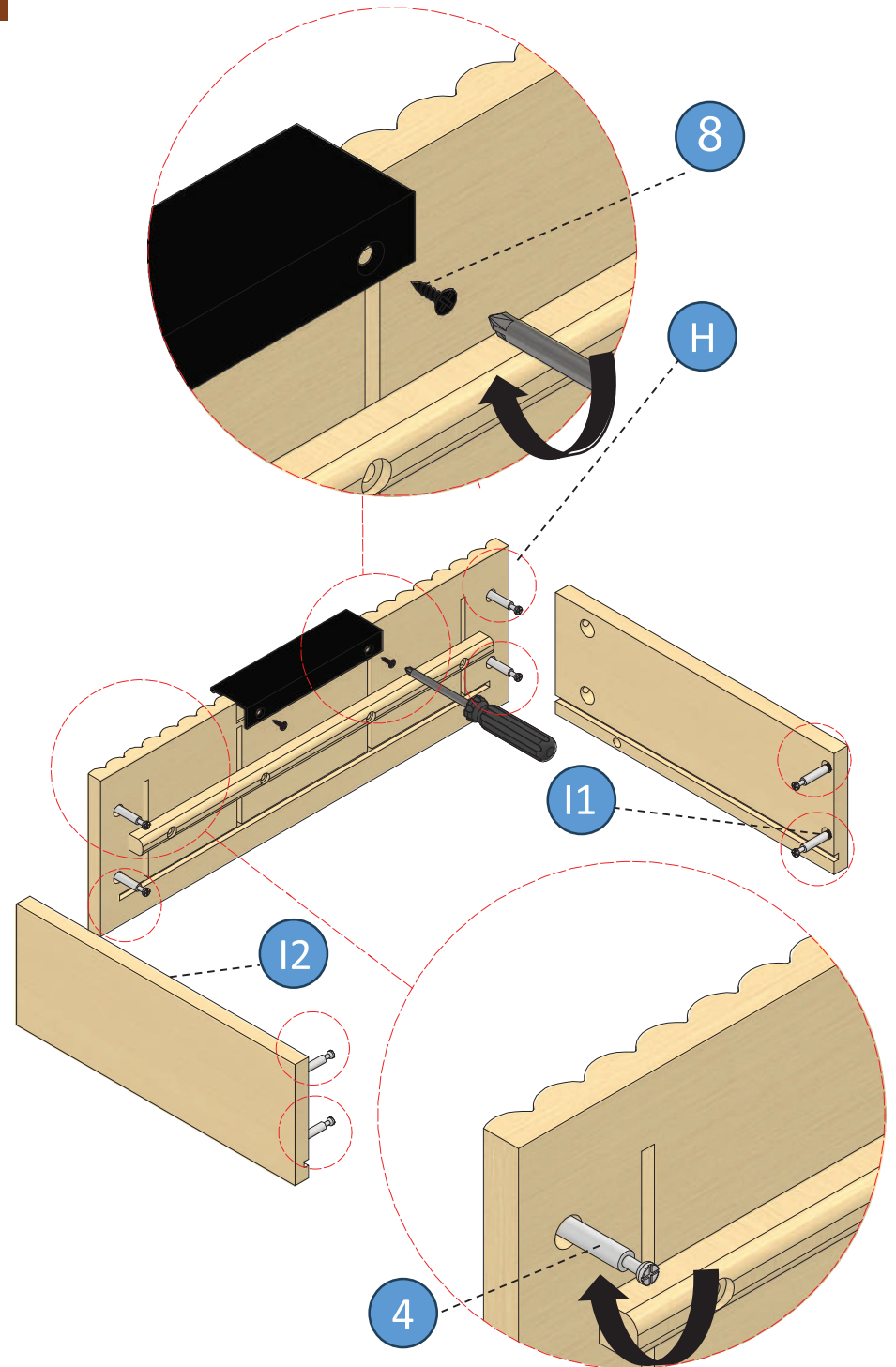
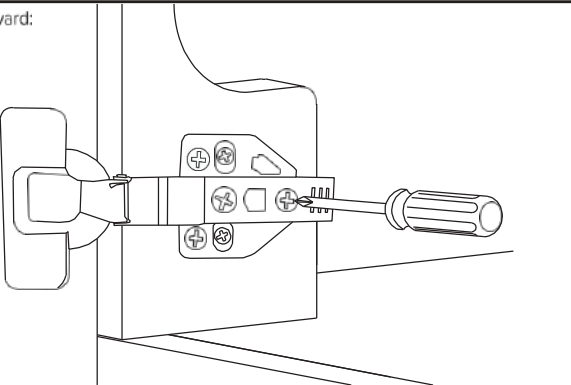
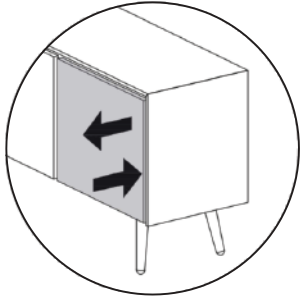
1A If the door is crooked, adjust hinge(s) up or down:



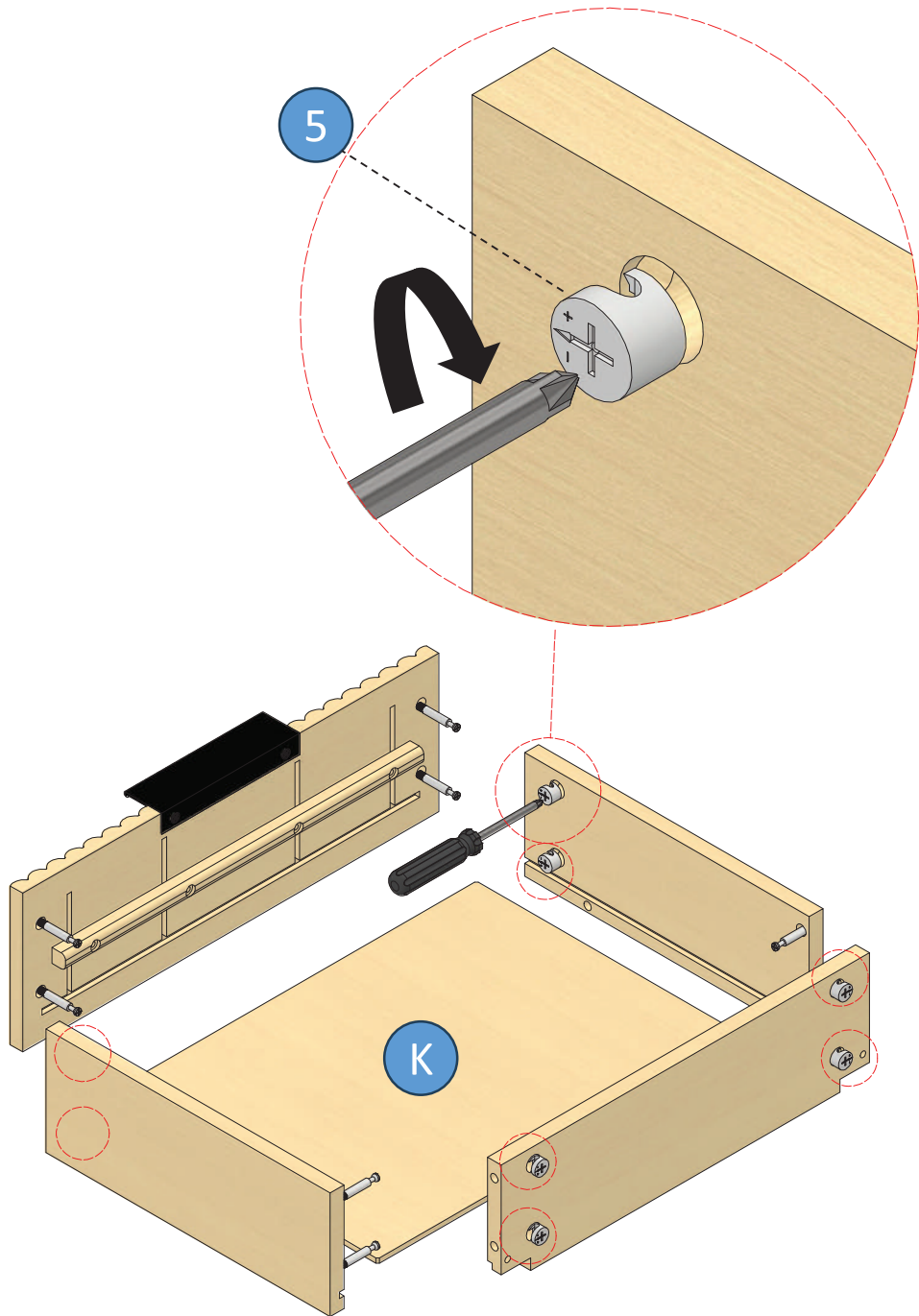
1B If the door needs adjustment side to side:



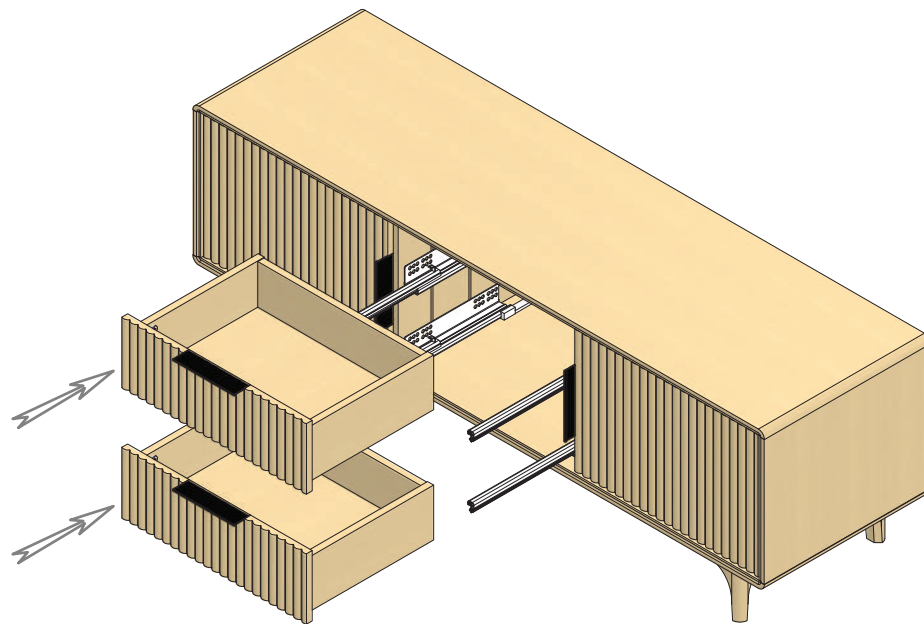
1C If the door needs adjustment forward or backward:



9



10



11

