

PRODUCT INFORMATION SHEET

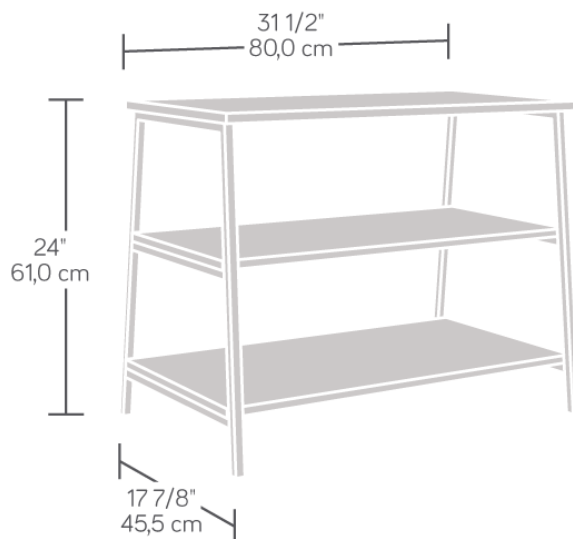
INDUSTRIAL STYLE TV STAND

FURNITURE



Features:

- Accommodates up to a 36" TV weighing 50 lbs. or less.
- Combine two units to accommodate up to a 70" TV weighing 95 lbs. or less.
- Two spacious shelves hold audio/video equipment.
- Finished on all sides for versatile placement.
- Durable, black metal frame.
- Charter Oak finish.



Dimensions:

Width	80 cm
Depth	45.5 cm
Height	61 cm
Carton Height	10.5 cm
Carton Width	88 cm
Carton Depth	52 cm
Box Volume	0.050 cbm
Weight (gross)	14.96 kg

N.B: All measurements are approximate