

Series	Fireclay Workstation
Material	Fireclay
Installation Type	Reversible Apron Front
Configuration	Single bowl
Overall Dimensions	33" x 17 5/8" x 10 1/8"
Bowl Dimensions	31 1/4" x 15 7/8" x 9 1/4"
Drain Size	3 3/4"
Finishes Available	Gloss White
Minimum cabinet size	33"
Template Included	No
Clips Included	No
Drain Locations	Center
Accessories Included	Cutting board, Strainer and Drying rack

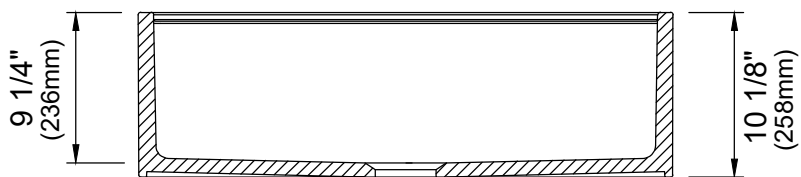
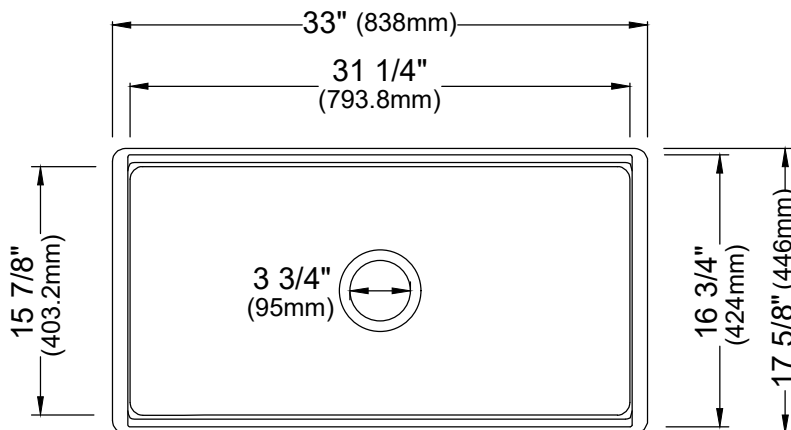


ACCESSORY	
Cutting Board - CB1711ACR20	
Strainer - QBSGWH	
Drying Rack - DR1712BLR5	

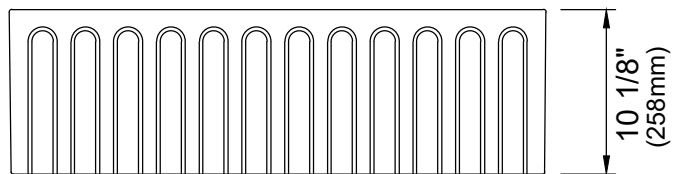
Stocked Color Options



Gloss White



Flat Front



Fluted Front

Listing and certifications:
cUPC

Limited lifetime warranty