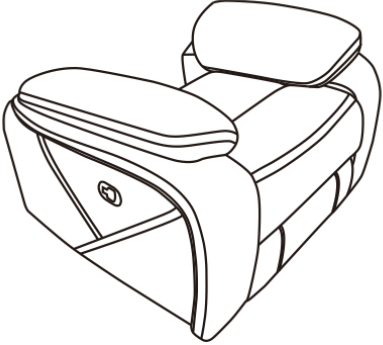



# **ASSEMBLY INSTRUCTION**

## **RECLINING CHAIR**

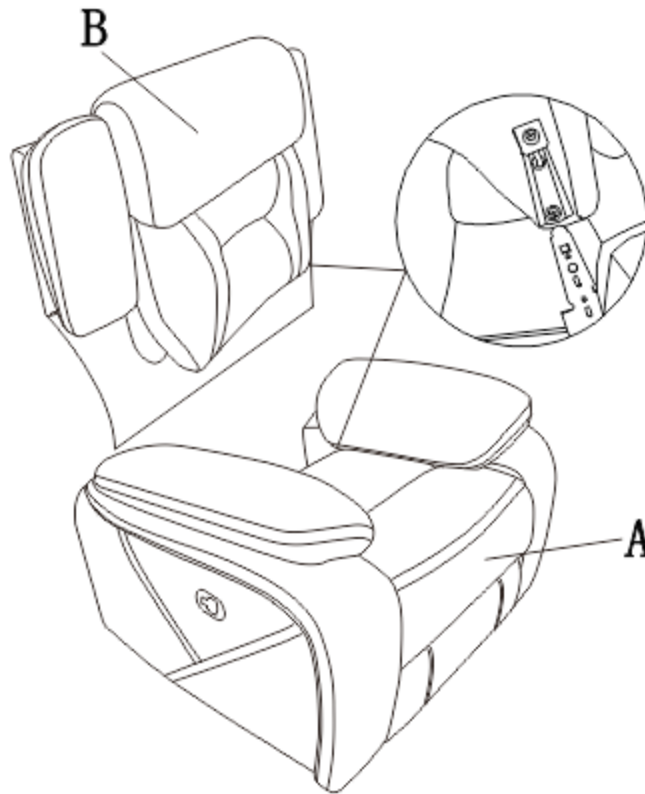
**NOTE: Do not use power tools for assembly. Power tools increase the risk of over tightening which leads to splitting or cracking the wood.**

### **COMPONENT LIST (CHAIR)**

<b>NO.</b>	<b>DRAWING</b>	<b>QTY</b>	<b>DESCRIPTION</b>
<b>A</b>		<b>1</b>	<b>SEAT FRAME</b>
<b>B</b>		<b>1</b>	<b>BACK REST</b>

## STEP# 1


Align the female brackets at the back onto the male brackets at the seat, insert back rest to the seat and make sure it is fixed in position securely.



## Care Instruction for Polished Microfiber Match Furniture.

In order to maintain the original appearance of your polished microfiber match furniture, please follow below simple care procedures:

- Avoid exposing furniture directly to sunlight or heating and air conditioning outlets. Sunlight and/or exposure to heating and air conditioning outlets will fade/damage leather gel match.
- Vacuum or wipe with a soft brush to remove dust.

 For items use on wooden floor, hard surfaces or carpets, it is recommended to install protective pads under all legs and supports to avoid/prevent from damages/scratches and discoloration.