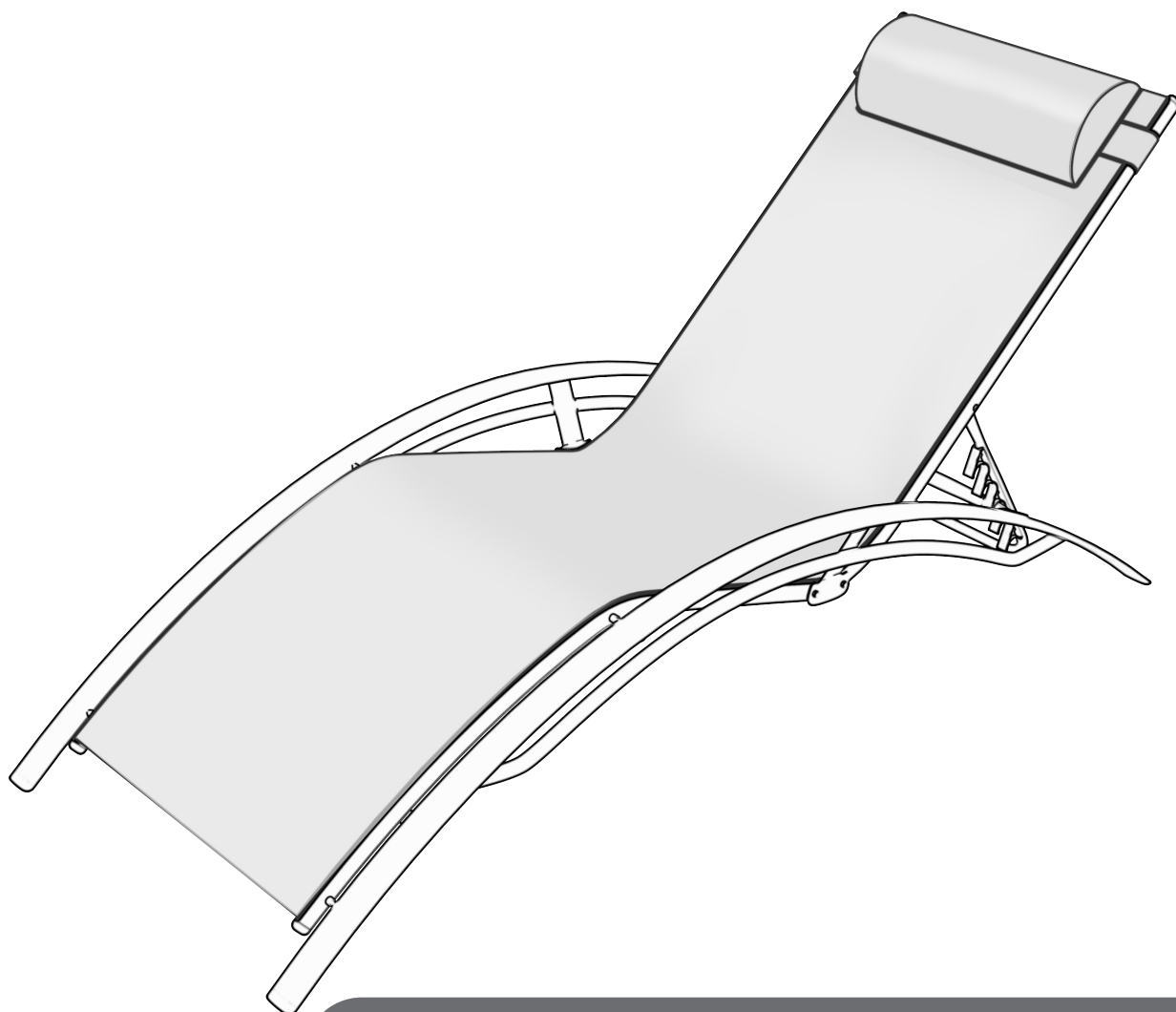


Outdoor Patio Chaise Lounge



ASSEMBLY AND OPERATION GUIDE

Warnings and Cautions

Please retain this instruction for future usage and read carefully before assembly.

Make sure you have all the parts & hardware as item list shows.

2 adults are recommended to install your chair.

Do not discard any of the packaging until you have checked that you have all the parts and pack of fittings.

Check all bolts for tightness before use, and periodically check and tighten bolts ensure your chair works properly.

Some parts might have sharp edges/corners. Please follow basic safety precautions to reduce the risk of hurts.

Notes

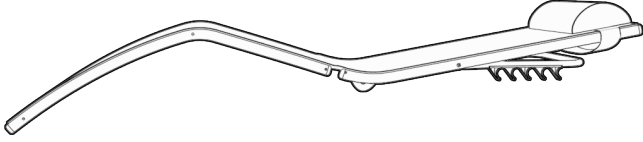
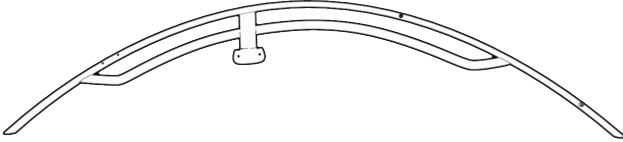
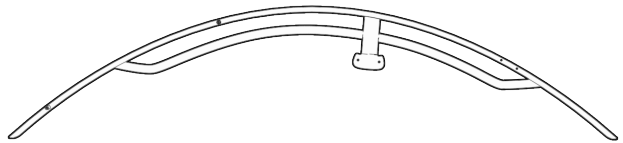
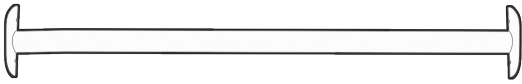
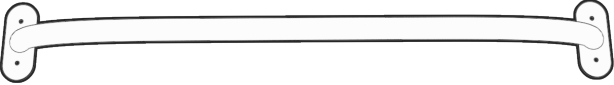
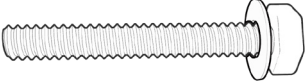
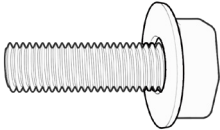
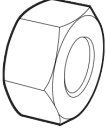
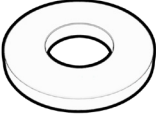
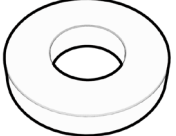

- 1. Chemicals in swimming pool's water might cause fading.*
- 2. Cleaning and drying the chairs after it rains.*
- 3. Cleaning and drying the chair in time if exposed to chemicals.*
- 4. Please cover and store it if not in use.*

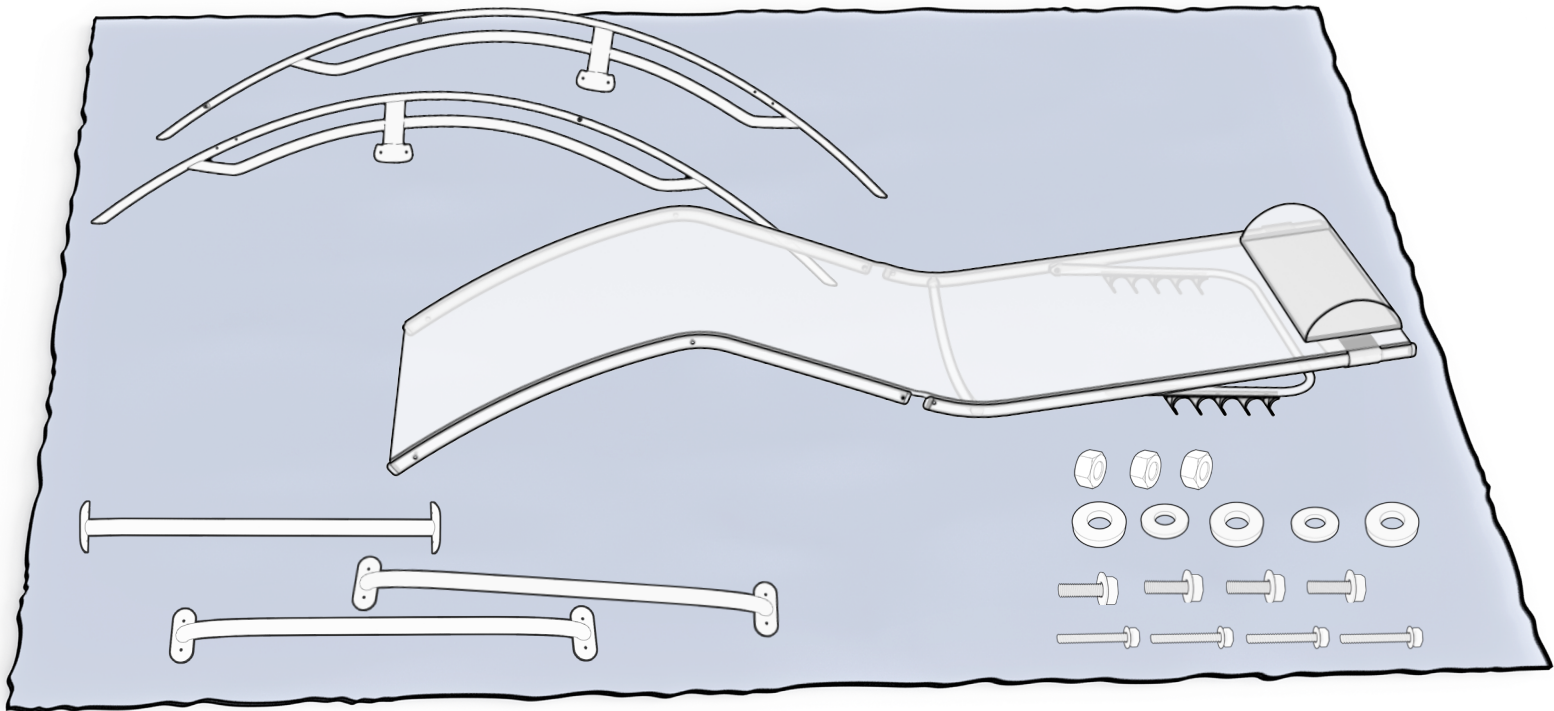
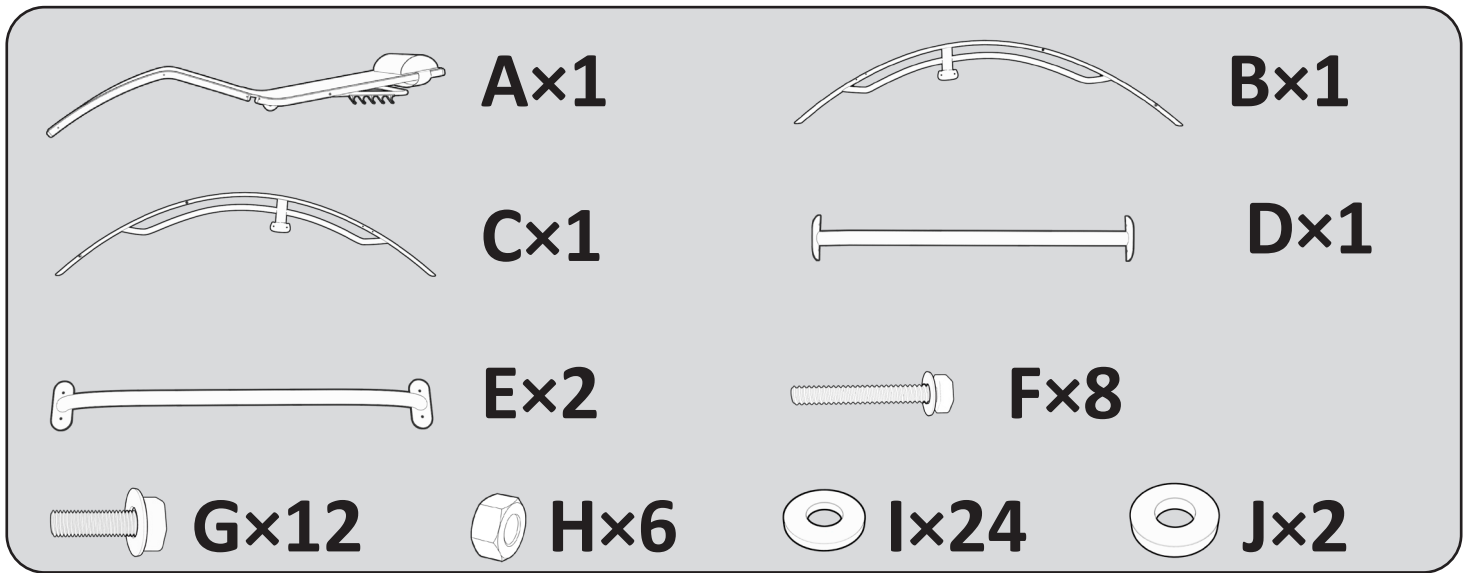
CHOKER HAZARD

THIS ITEM CONTAINS SMALL PARTS WHICH CAN BE SWALLOWED BY CHILDREN.

PLEASE KEEP IT AWAY FROM CHILDREN UNDER 3 YEARS OLD AND PETS DURING INSTALLATION.

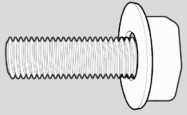
Check List

Part No.	Image	QTY
A		1
B		1
C		1
D		1
E		2
F	 (M6x35)	8
G	 (M6x16)	12
H	 (M6)	6
I	 (M6)	24
J	 (M6)	2
K		1

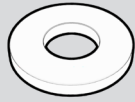


● ***Please pull the fabric into place before assembling if it retracts.***

● ***Ensure that use carpet for the installation for preventing scratches.***

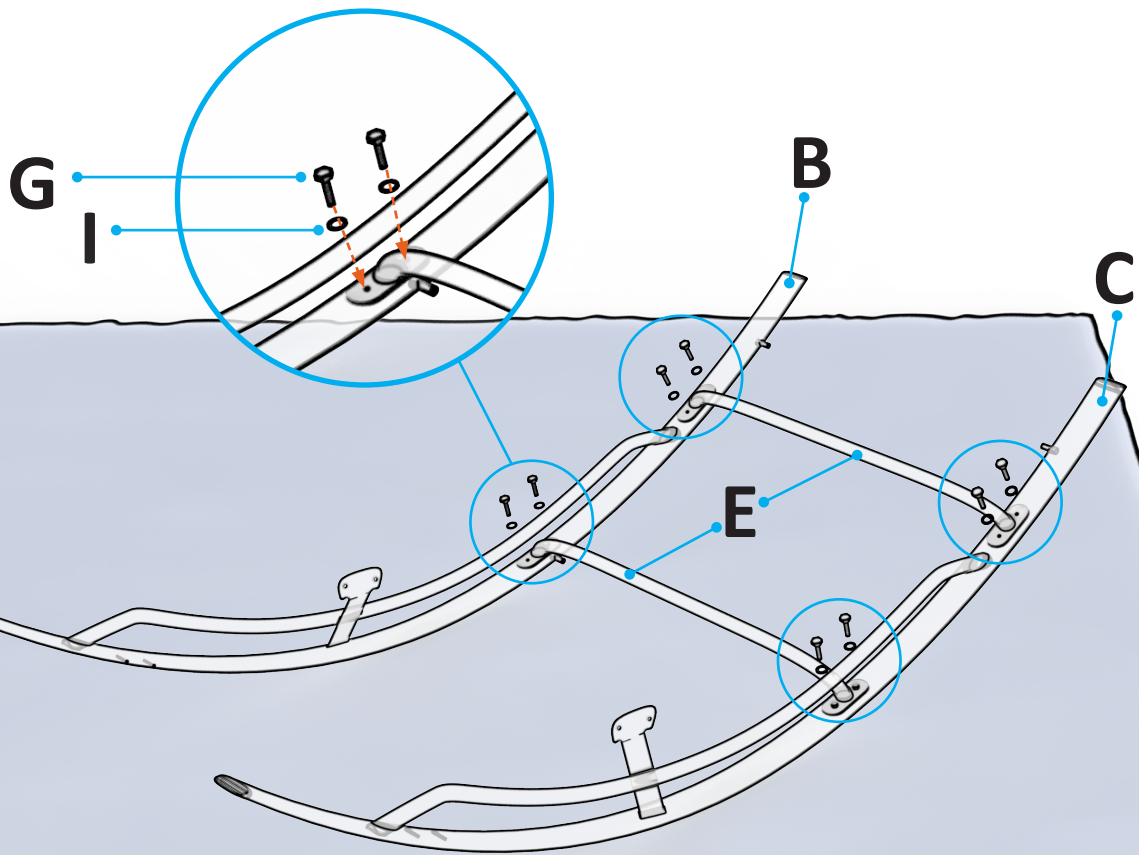


G×8

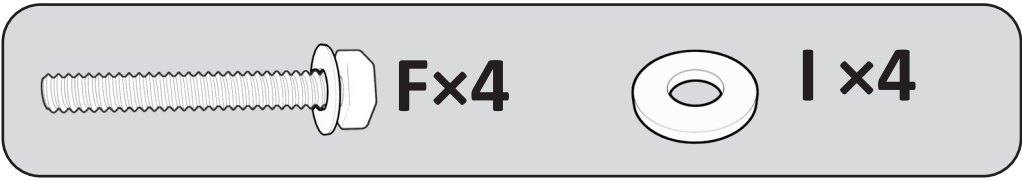


I×8

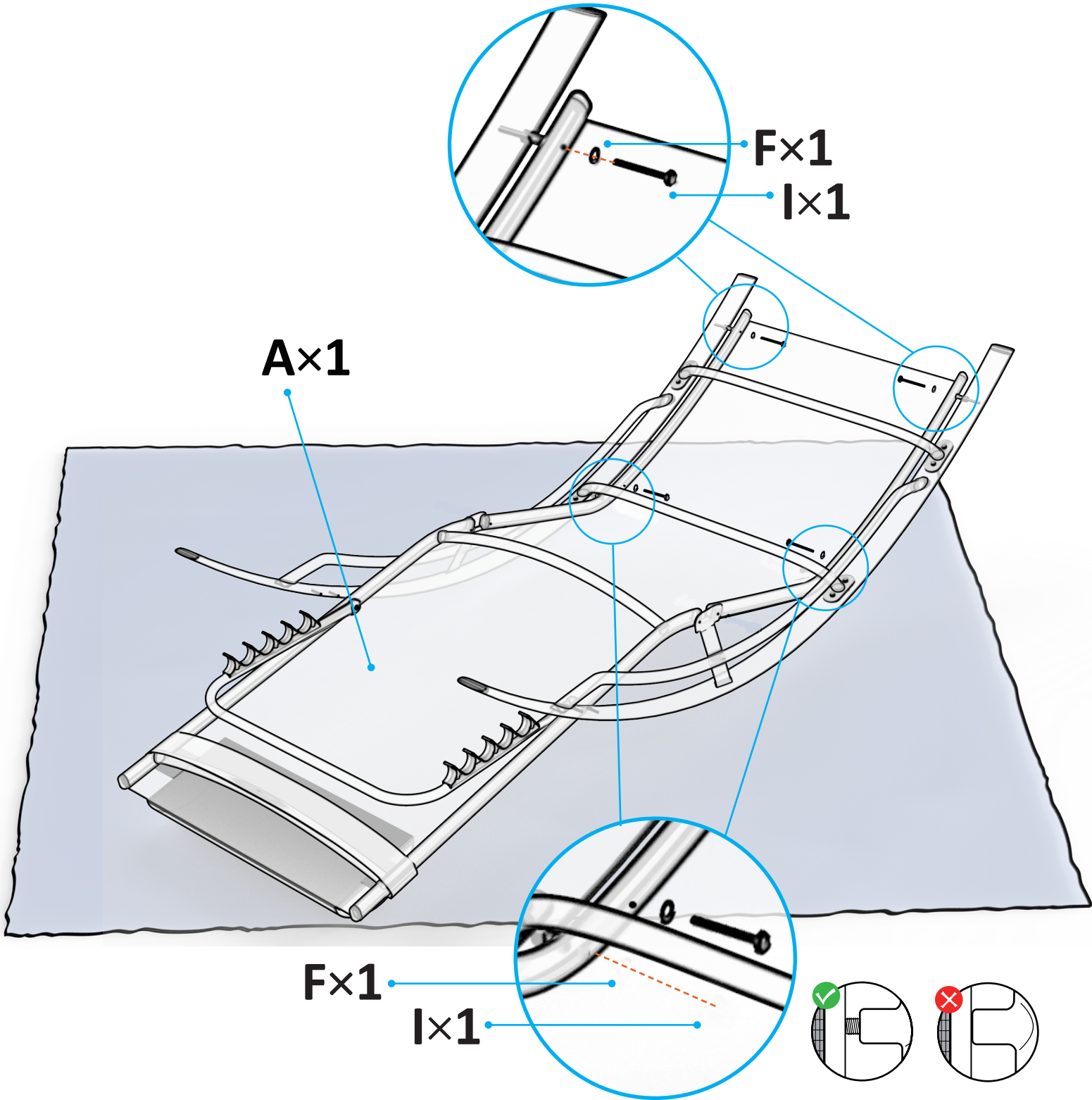
STEP 1



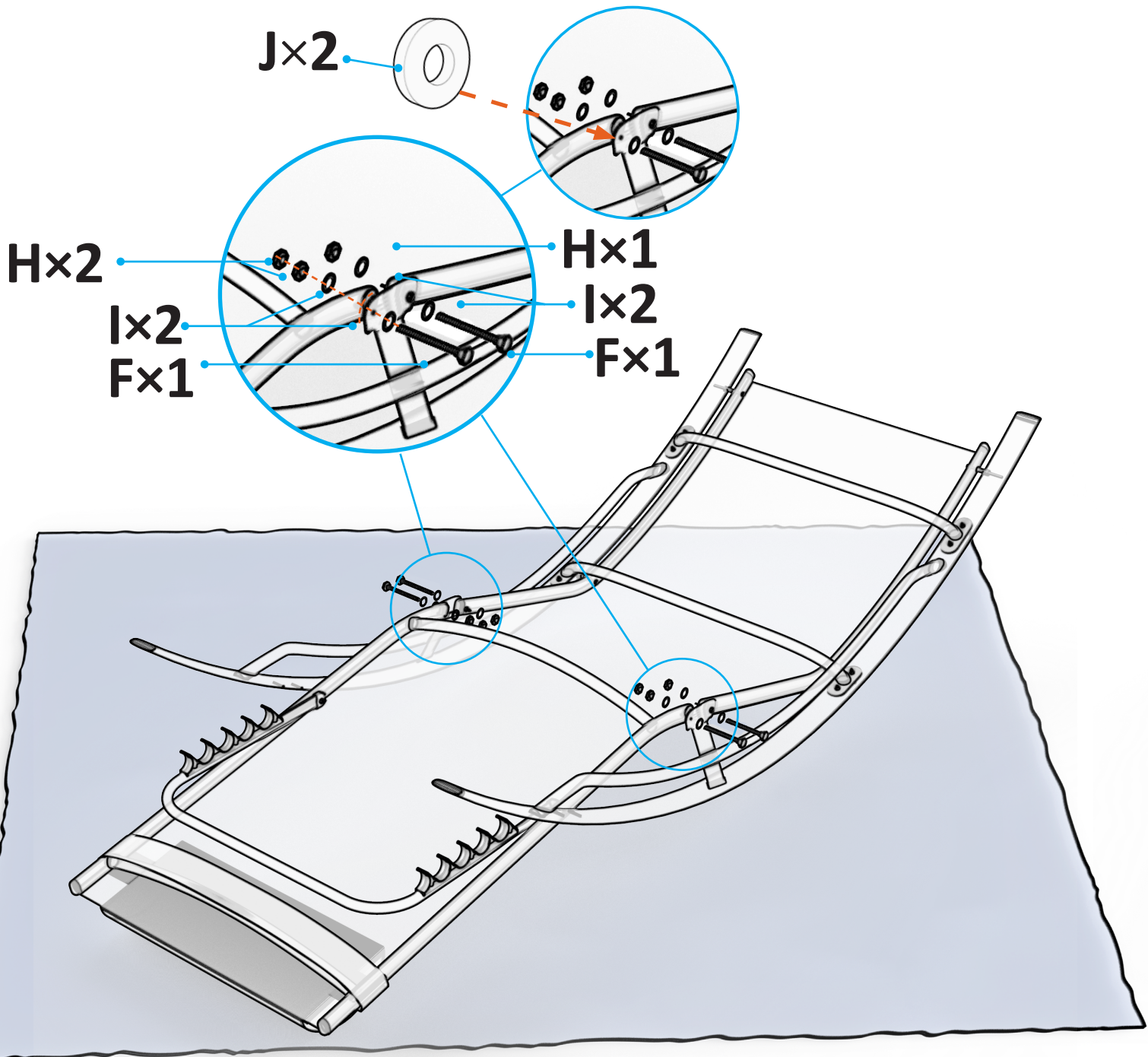
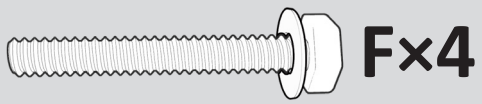
•Never fully tighten all of the bolts until the step 4.



STEP 2

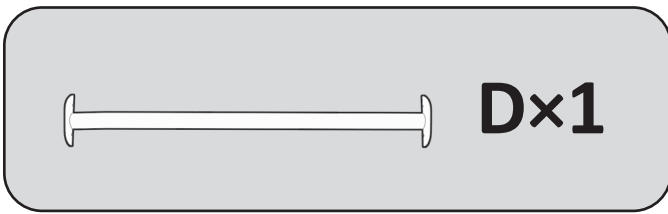


STEP 3

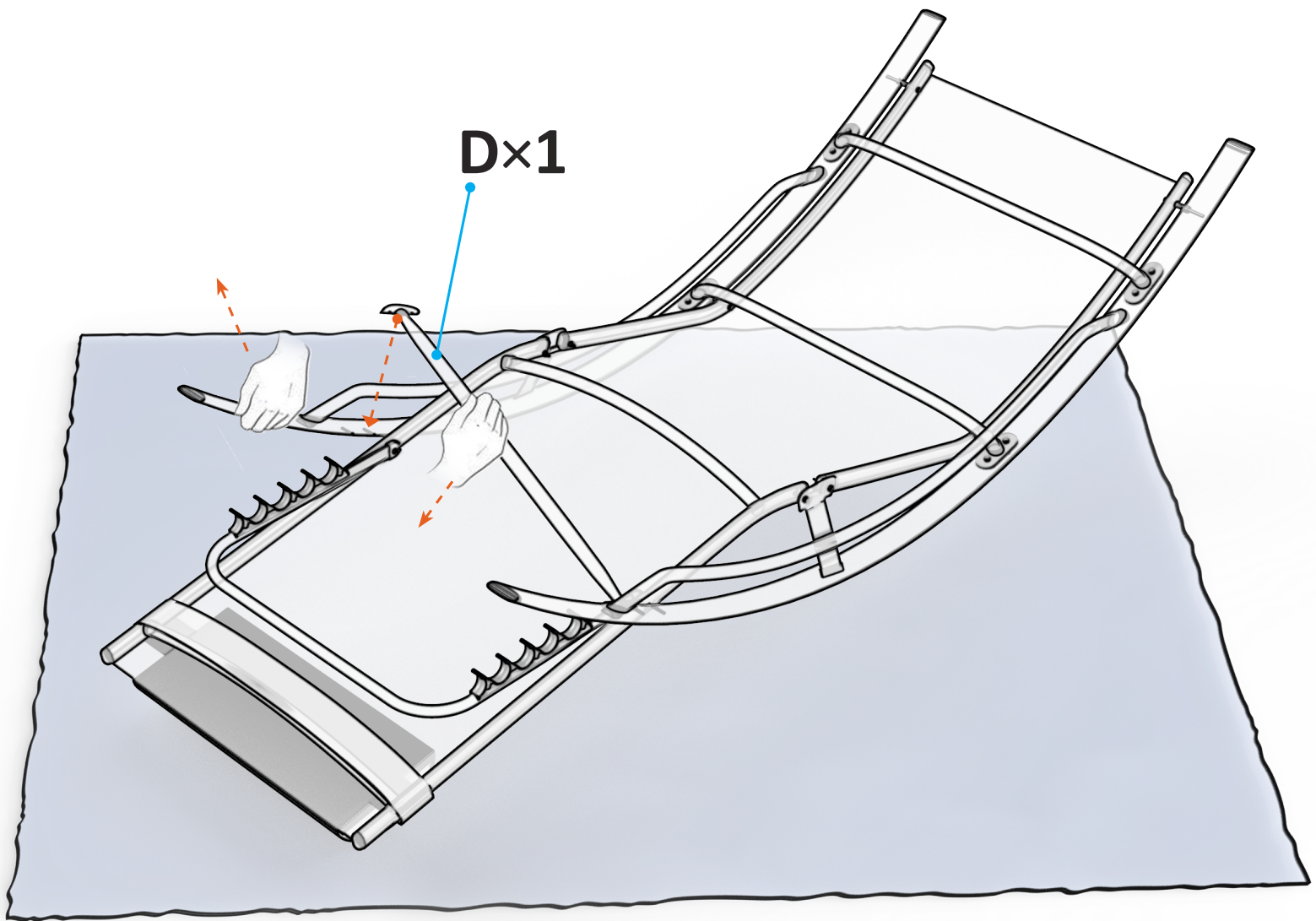


● **Don't forget the washers H and I.**

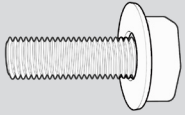
STEP 4



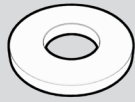
● **Attach part D to right leg's hole.**



STEP 5

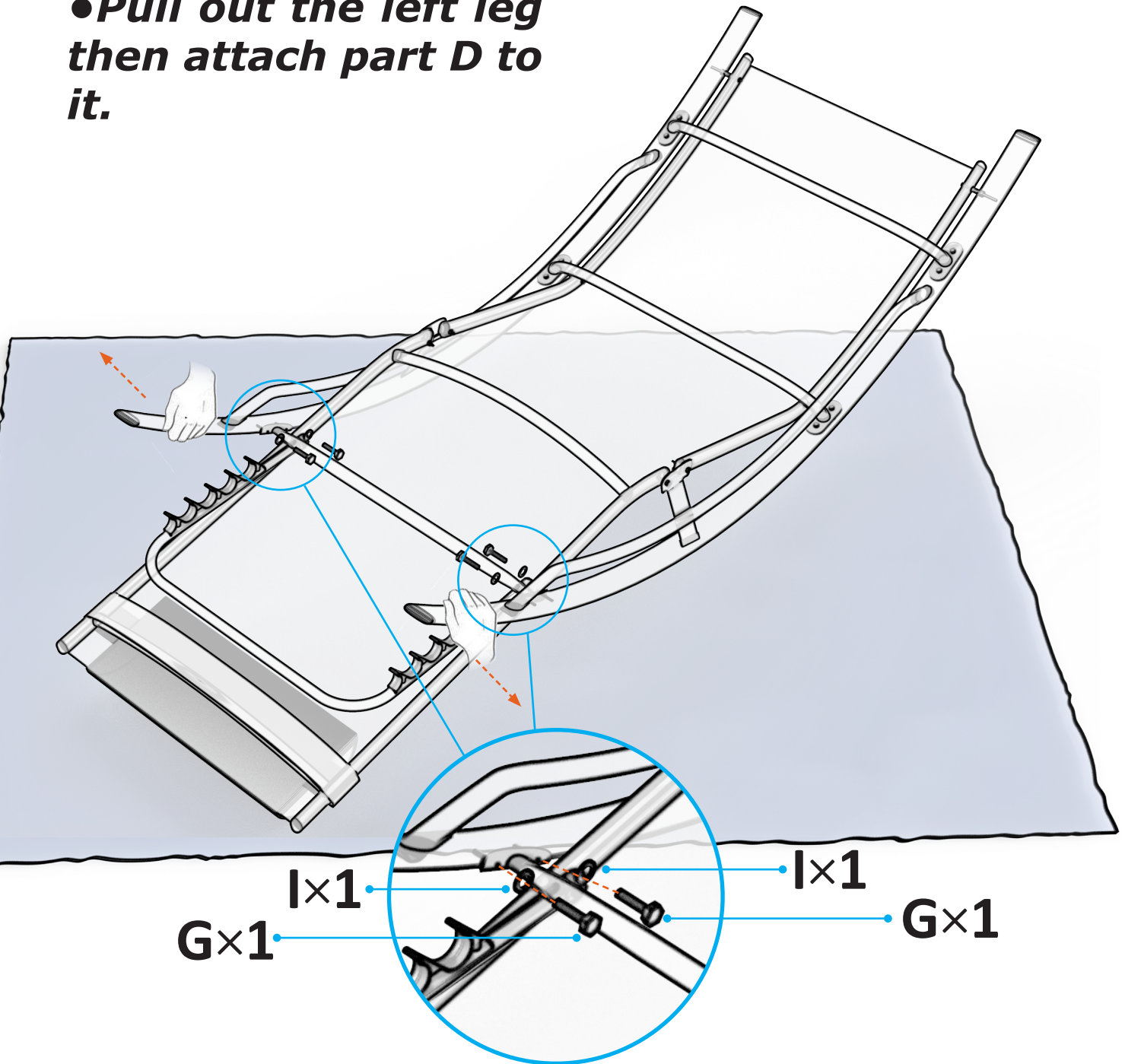


G×4



I×4

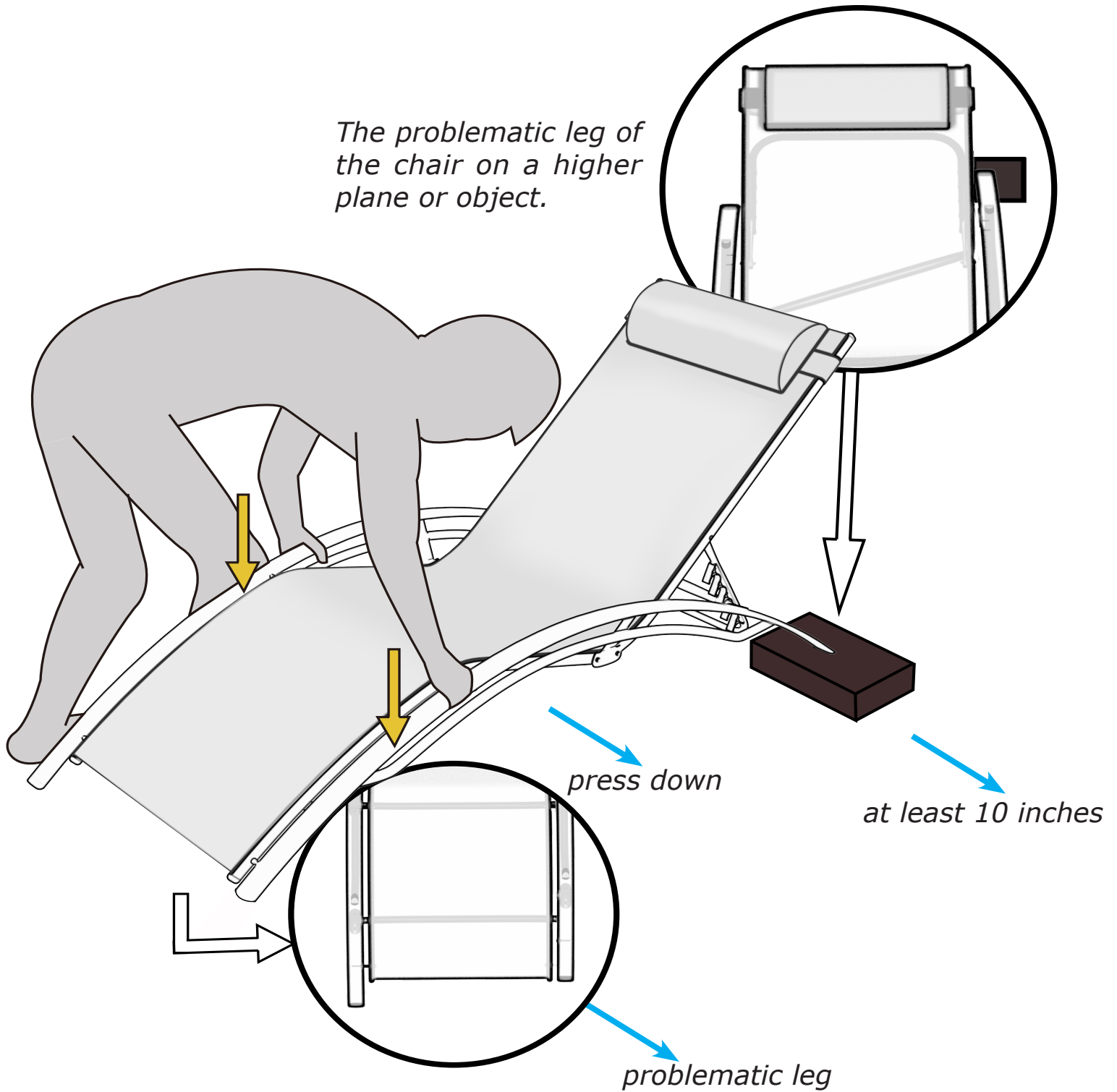
● **Pull out the left leg then attach part D to it.**

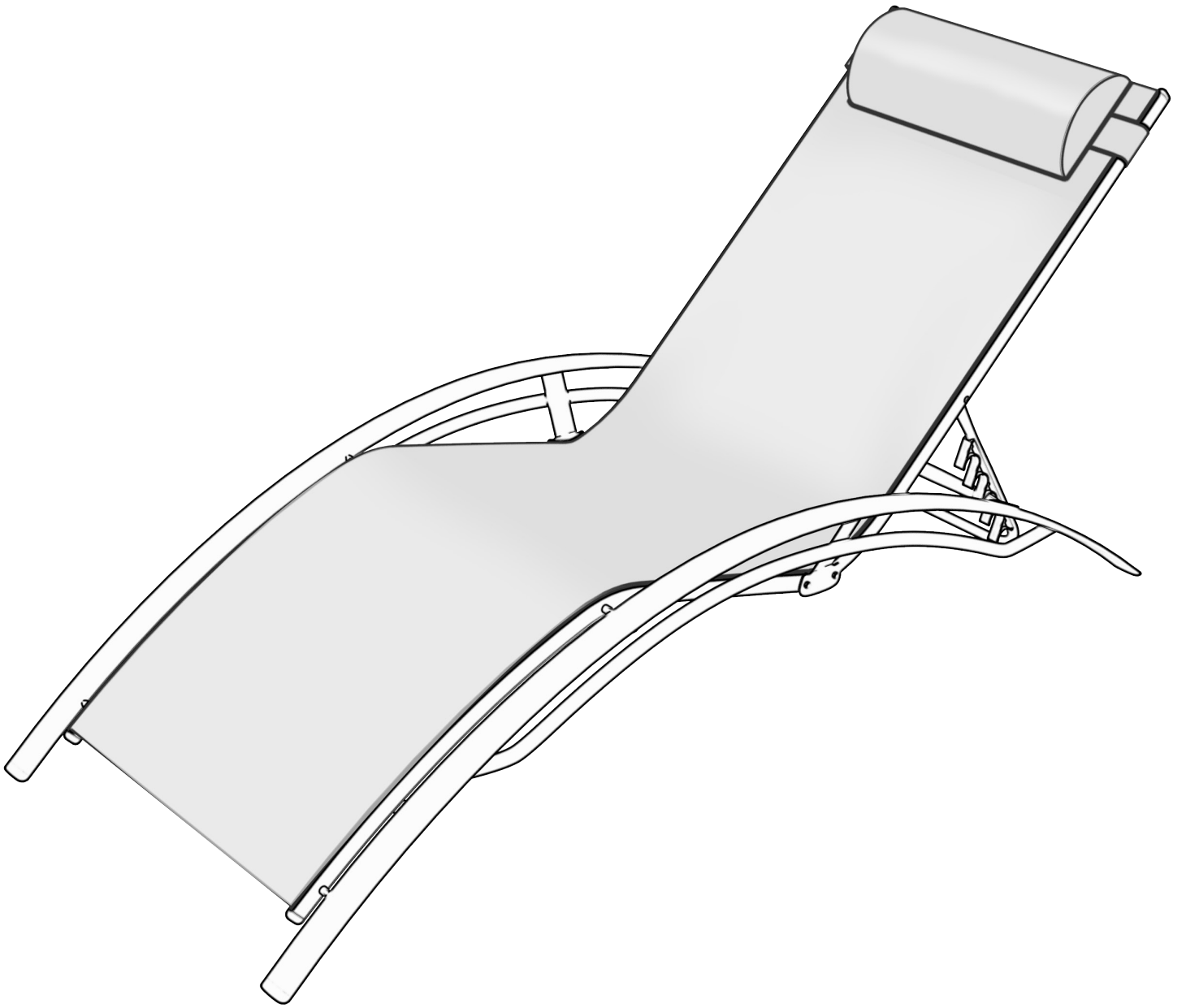


● **Please fully tighten all of bolts.**

Note

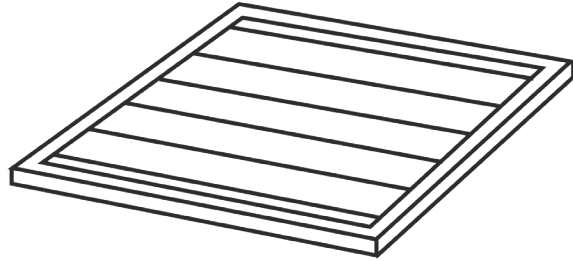
How to fix uneven chair.



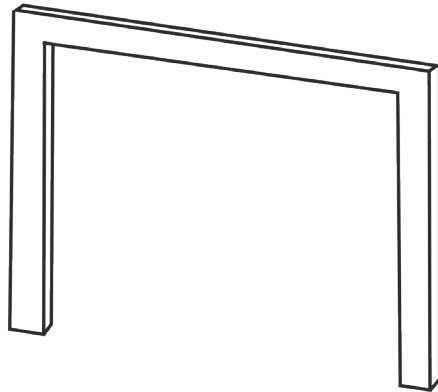


Check List

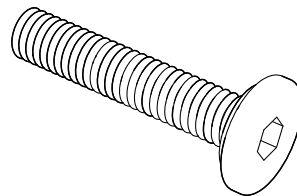
A×1



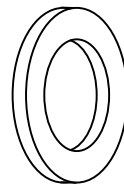
B×2



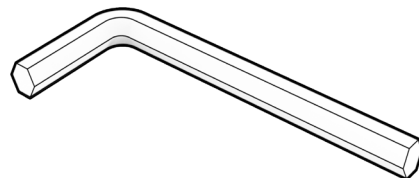
C×4
(M6×30)

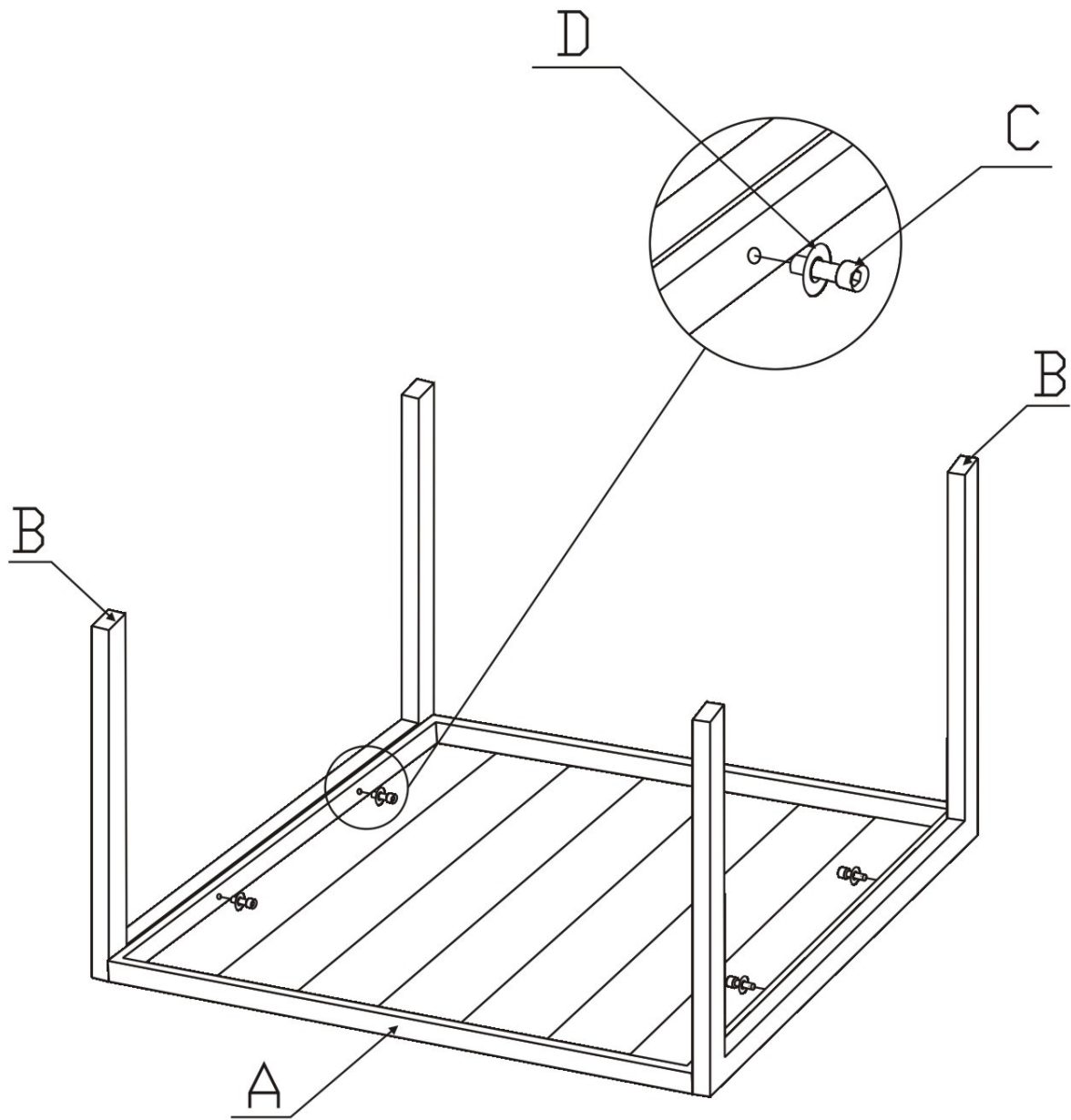
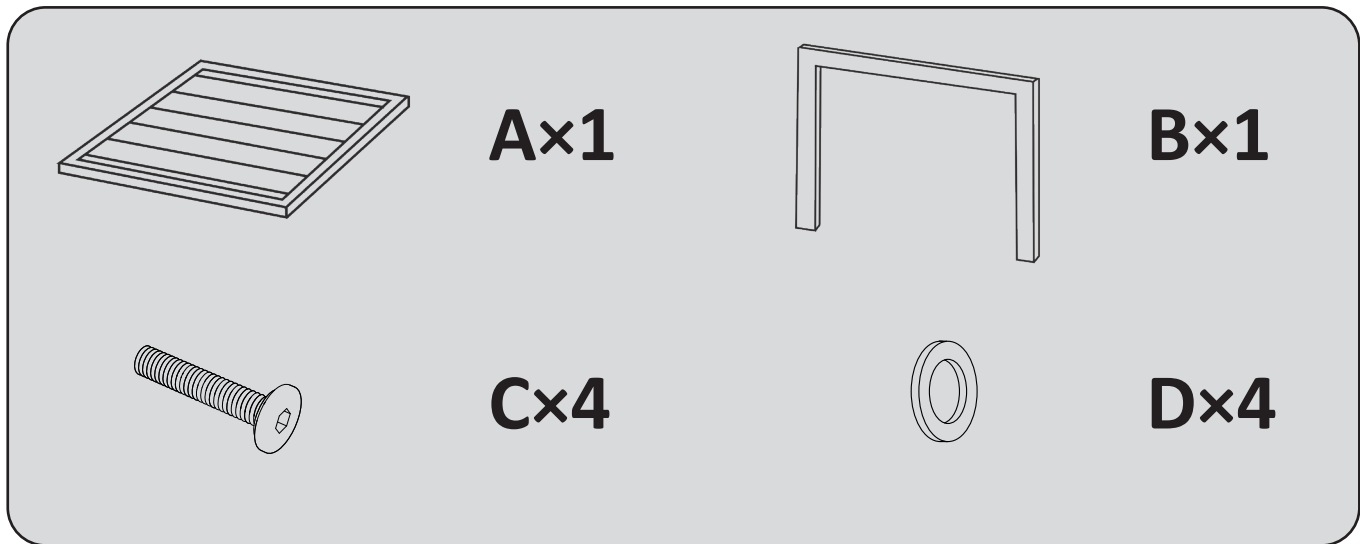


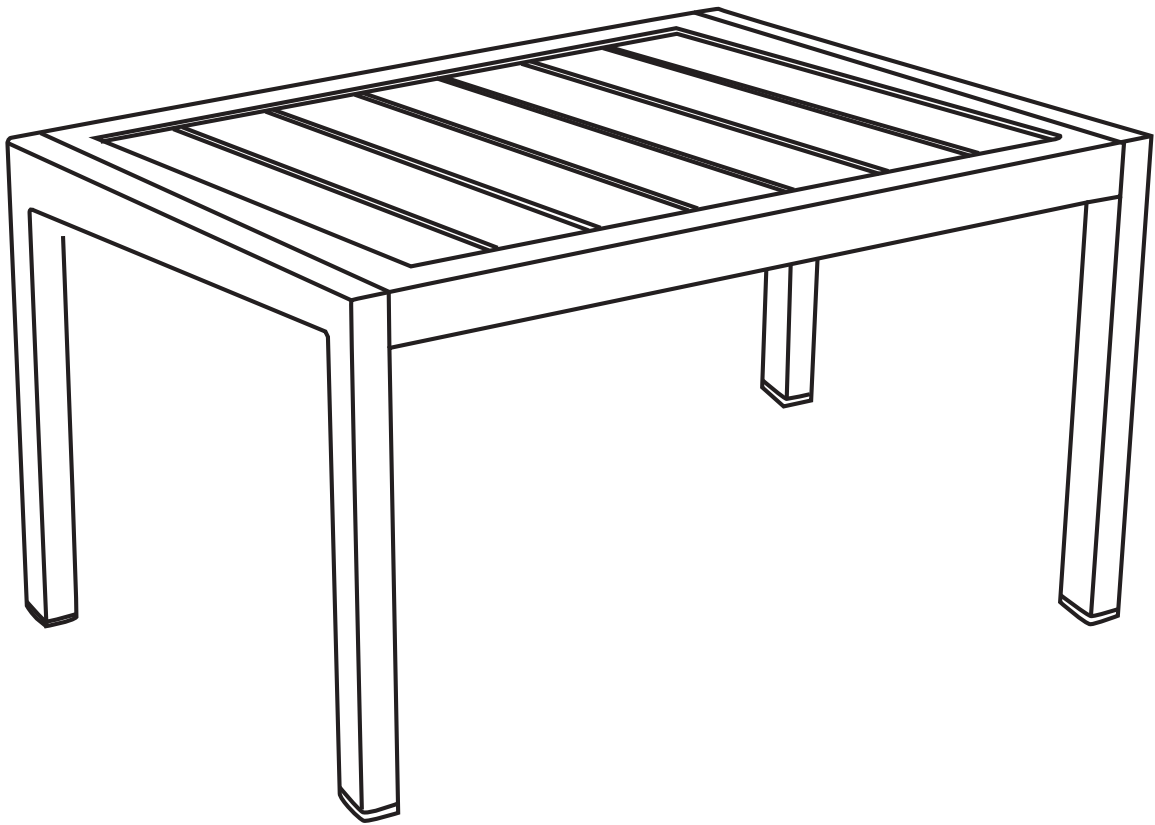
D×4
(M6)



E×1







Warranty

Frames

Frames constructions are warranted to be free from defects in material and workmanship for 1 year from item purchased. Damage to frame from negligence won't be covered by this warranty.

Cushions

Cushions are warranted to be free from defects in material and workmanship for 1 year from item purchased. Damage from exposure to chemicals (including but not only oils, spills, fluids) won't be covered by this warranty.

Fabric

Fabric is warranted to be free from defects in material and workmanship for 1 year from item purchased. Damage from exposure to chemicals (including but not only oils, spills, fluids) won't be covered by this warranty.

Bolts & nuts

Bolts and nuts are warranted to be free from defects in material and workmanship for 1 year from item purchased. Damage from exposure to chemicals (including not only oils, spills, fluids) won't be covered by this warranty.

Warranty Limitation

This warranty is for the original purchase order only. (Order number required). This warranty is non-transferable. We are responsible for the free replacement part including shipping charges for the 1 year warranty.

Warranty Exclusion

This warranty does not cover products subject to negligence, abuse usage, inappropriate installation. We reserve the right to explain warranty exclusions. When the replacement item is applied, the 1 year warranty automatically expires. Please feel free to contact us for applying warranty.