

Use and Maintenance

- Do not exceed the recommended load limit.
- Periodically check and tighten bolts.
- Clean with a damp cloth when needed.

Customer Service

- 🛡️ Warranty: 1-YEAR Limited Warranty
- 🔧 Support: Lifetime Technical Support

Troubleshooting

Common Issue	Possible Cause	Solution
Pole shakes	Anchor bolts not tightened	<ul style="list-style-type: none">• Check and tighten anchor bolts.
Loose fixture	The lamp screws were not tightened	<ul style="list-style-type: none">• Retighten mounting screws.
Other issues	/	<ul style="list-style-type: none">• Contact us anytime — we are happy to help.

User Manual

For FAQs and More information,
please contact us.

Model: PJG3-3
10 ft Galvanized Steel Lamp Pole

READ AND FOLLOW ALL SAFETY INSTRUCTIONS

IMPORTANT SAFETY INSTRUCTIONS

Please read this guide carefully before installation.

- Wear protective gloves during installation.
- Do not install during strong winds or severe weather.
- Please use the included bolts and screws to install this product. Make sure the light fixture is tightened securely to prevent it from falling.
- Do not allow children to assemble and install this product.

CAUTION - The product is not a toy. Children and the disabled should use it under adult supervision.

Product Overview

- This pole is made of heavy-duty galvanized steel for long-term outdoor use.
- Rust-resistant and weatherproof design.
- Designed for various outdoor lighting fixtures.

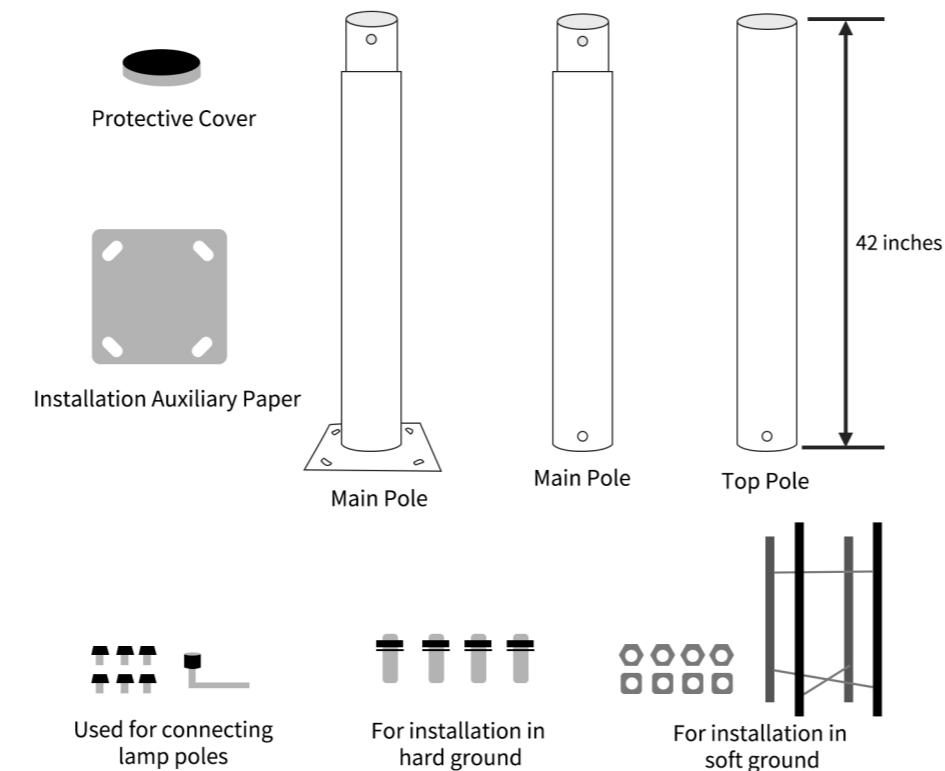
Specifications

Item Dimensions	3"L x 3"W x 120"H
Material	Galvanized steel
Item Weight	19.2 pounds

What You Get

Item	Quantity
Pole sections	3
Protective cover	1
Anchor bolts	4
Screws	6
Screw fixing tool	1
Rebar cage	1
Rebar cage nuts and gaskets	4
Drilling Template	1

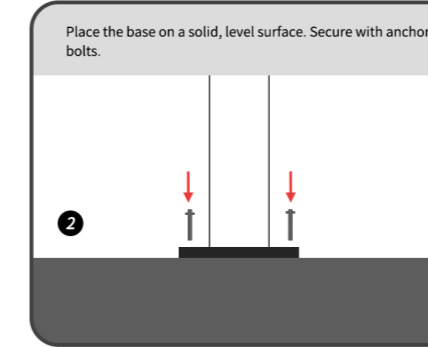
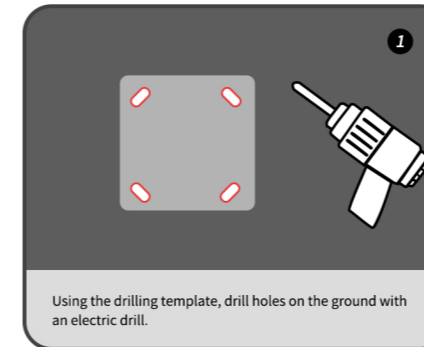
At a Glance



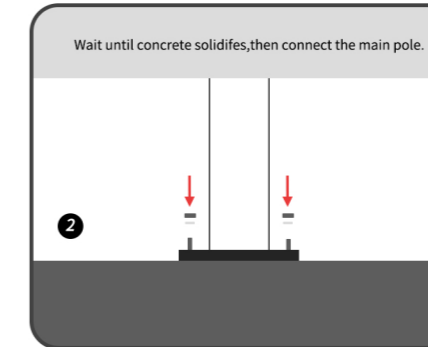
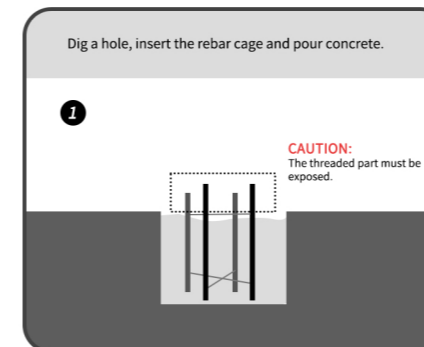
Installation Guide

INSTALLATION MAIN POLE

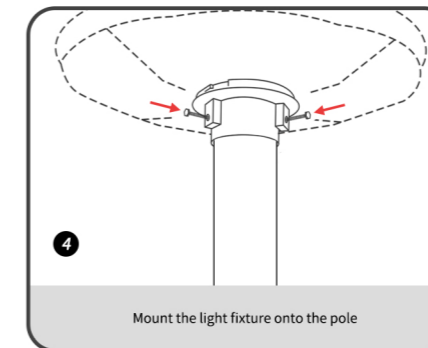
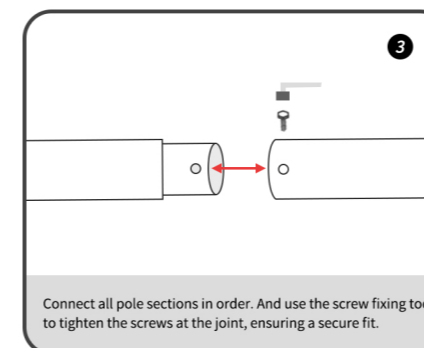
- Installation in hard ground



- Installation in soft ground



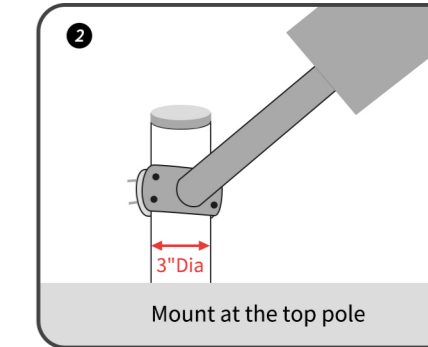
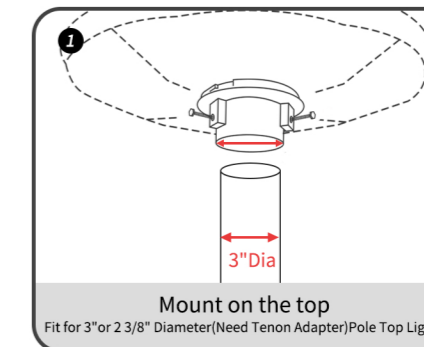
ASSEMBLE THE POLE AND FIXTURE



Compatibility

TWO INSTALLATION METHODS

Compatible with most pole-mountable lighting fixtures



- When installing the base, you can use the included Installation auxiliary paper to help you determine the drilling location.
- Slight variations in the diameter of the pole sections can increase the difficulty of connecting them. You can place a piece of wood at the other end of the pole as a buffer and gently tap it in with a hammer. (See diagram below)

