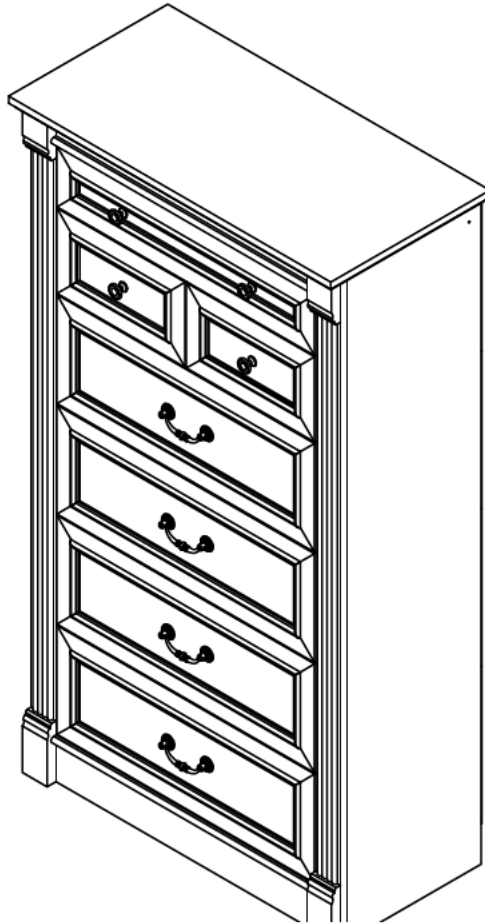
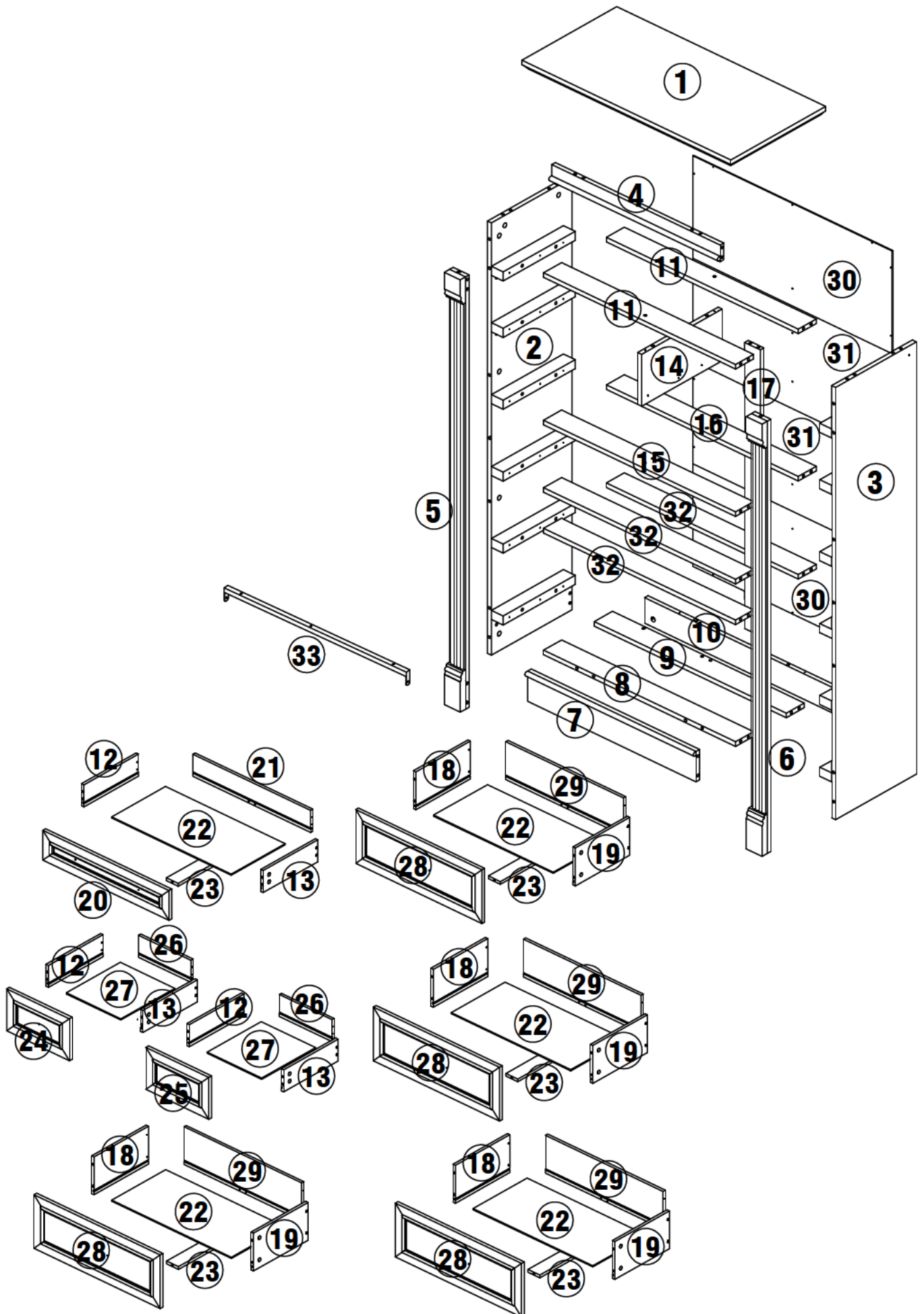


ASSEMBLY INSTRUCTIONS



PACKAGE INCLUDE



PACKAGE INCLUDE

| CODE | DESCRIPTION | QTY |
|-------------|--|------------|
| 1 | Top Panel | 1 |
| 2 | Left Side Panel | 1 |
| 3 | Right Side Panel | 1 |
| 4 | Upper Crosspiece | 1 |
| 5 | Left Trim Panel | 1 |
| 6 | Right Trim Panel | 1 |
| 7 | Front Footboard | 1 |
| 8 | Front Bottom Panel | 1 |
| 9 | Rear Bottom Panel | 1 |
| 10 | Back Footboard | 1 |
| 11 | Upper Front And Rear Crossbar | 2 |
| 12 | Upper And Middle Drawer Left Side Panel | 2 |
| 13 | Upper And Middle Drawer Right Side Panel | 2 |
| 14 | Upper Middle Vertical Panel | 1 |
| 15 | Middle Front Crossbar | 1 |
| 16 | Middle Rear Crossbar | 1 |
| 17 | Back Vertical Panel | 1 |
| 18 | Lower Drawer Left Side Panel | 4 |
| 19 | Lower Drawer Right Side Panel | 4 |
| 20 | Upper Drawer Top Panel | 1 |
| 21 | Upper Drawer Back Panel | 1 |
| 22 | Upper And Lower Drawer Bottom Panel | 5 |
| 23 | Drawer Bottom Strip | 5 |
| 24 | Middle Left Drawer Top Panel | 1 |
| 25 | Middle Right Drawer Top Panel | 1 |
| 26 | Middle Drawer Back Panel | 2 |
| 27 | Middle Drawer Bottom Panel | 2 |
| 28 | Lower Drawer Top Panel | 4 |
| 29 | Lower Drawer Back Panel | 4 |
| 30 | Upper And Lower Back Panel | 2 |
| 31 | Middle Back Panel | 2 |
| 32 | Fixed Strip | 3 |
| 33 | Iron Tube | 1 |

PACKAGE CONTENT

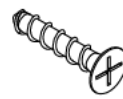
φ8X30MM



φ3.5X12MM



4X35MM



A

52X+2

B

72X+2

C

44X+2

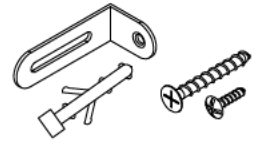
D

4X

4X30MM



φ3X12MM



E

3X

F

36X+2

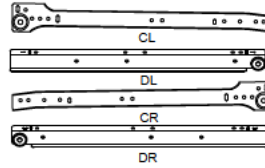
G

4X

H

2X

φ15X10MM



J

71X+3

K

71X+3

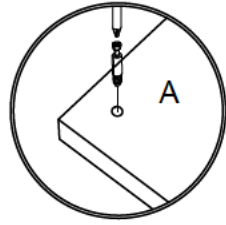
L

7X

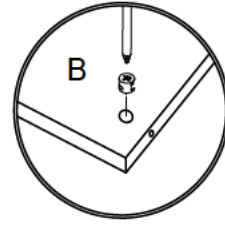
M

4X

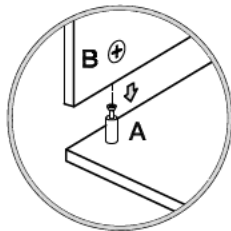
How to use the cam lock system



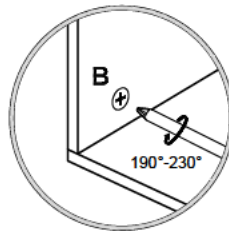
1. Screw cam bolt into panel



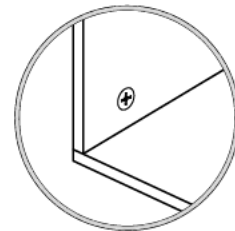
2. Push cam into panel - arrow feature on cam top points to panel edge



3. Align cam bolt(s) with cam(s) and insert all the way into cross-bored hole(s)

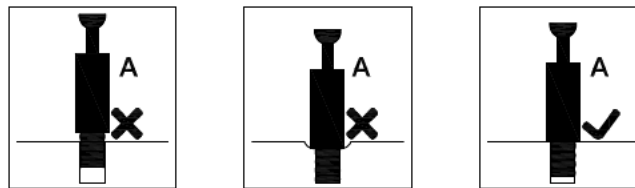
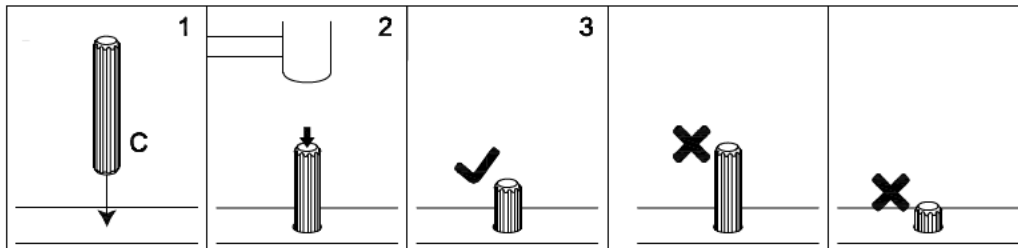


4. Rotate cam(s) clockwise 190°-230° to lock panels together



5. Panels should be tight against each other and connection should be rigid

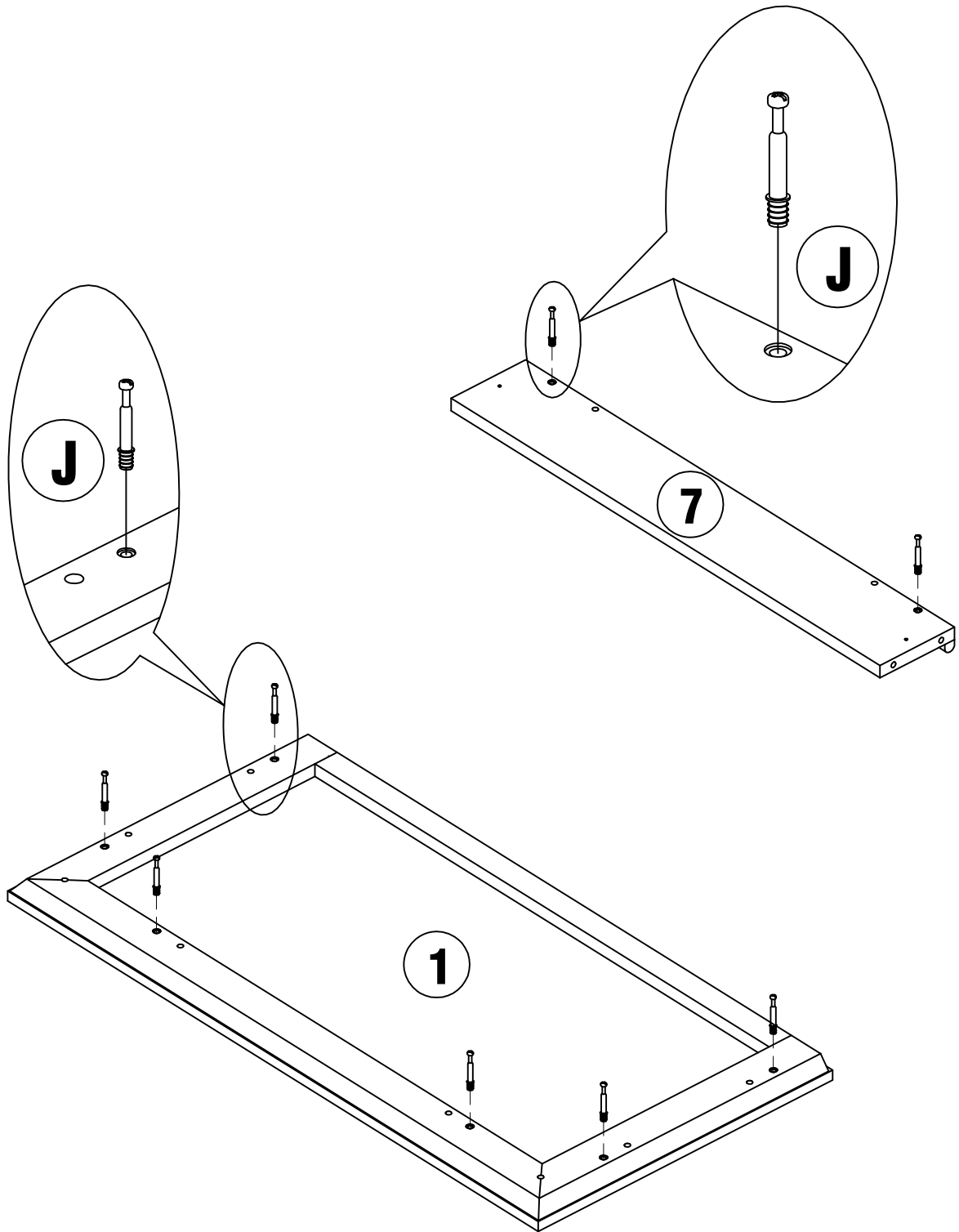
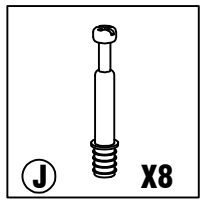
Insert the wood dowel [C] at least half way by tapping lightly with a rubber mallet, IF NECESSARY.



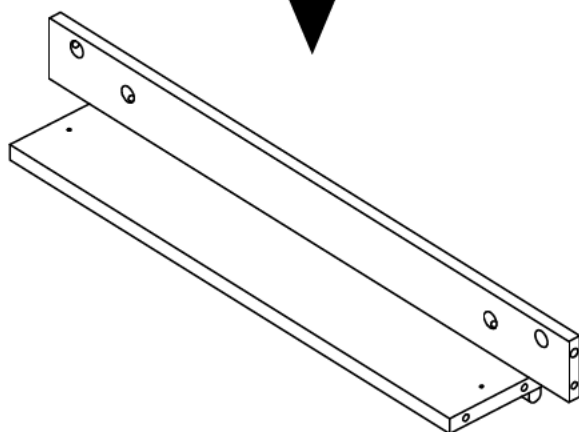
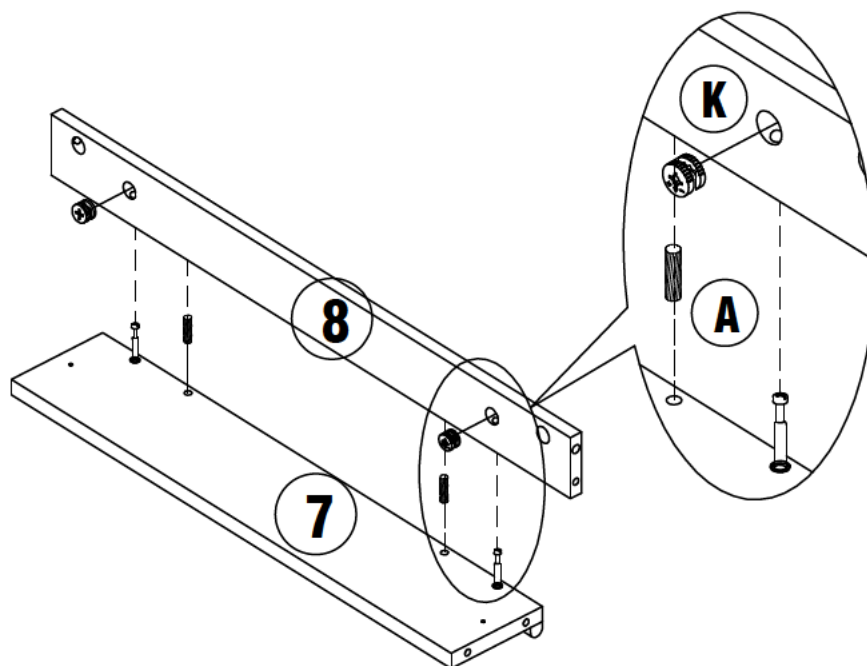
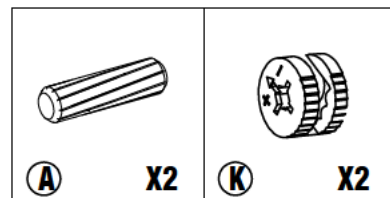
⚠ WARNING

- Unit must be placed on a level surface or leveled with included hardware (when applicable).
- Do not sit or stand on or allow children to climb, sit or stand on the assembled product.
- For safety reasons, it is imperative that this unit be mounted to the wall.
- Do not use without installing the tip restraint.
- Unit can tip over causing severe injury or death.
- Do not exceed the recommended weight limits.
- Evenly distribute the weight on each level and always keep the heavier loads on the bottom.
- Before cutting, drilling or hammering into any wall or floor surface, verify the location of electrical, plumbing and gas lines. Cutting may cause serious injury.

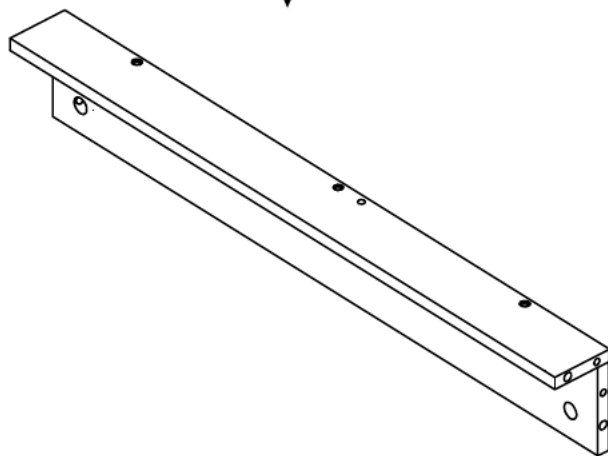
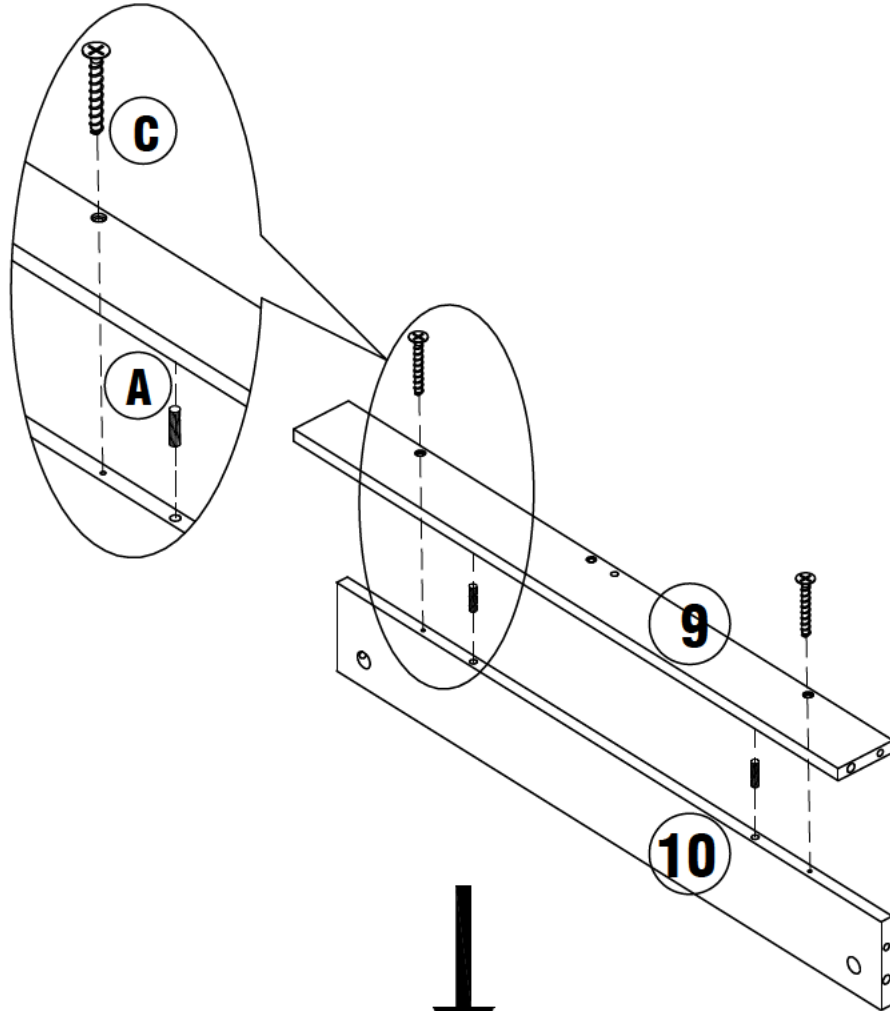
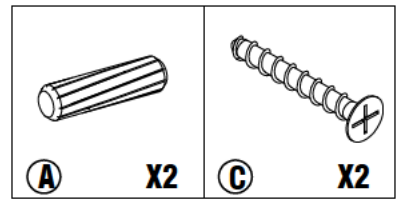
STEP 1



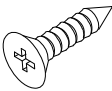
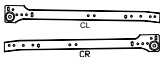
STEP 2

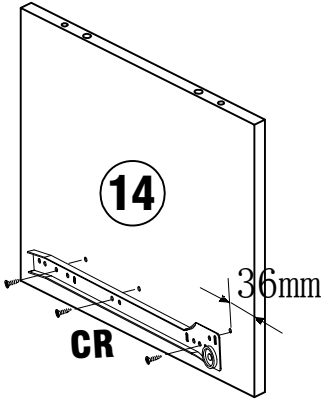
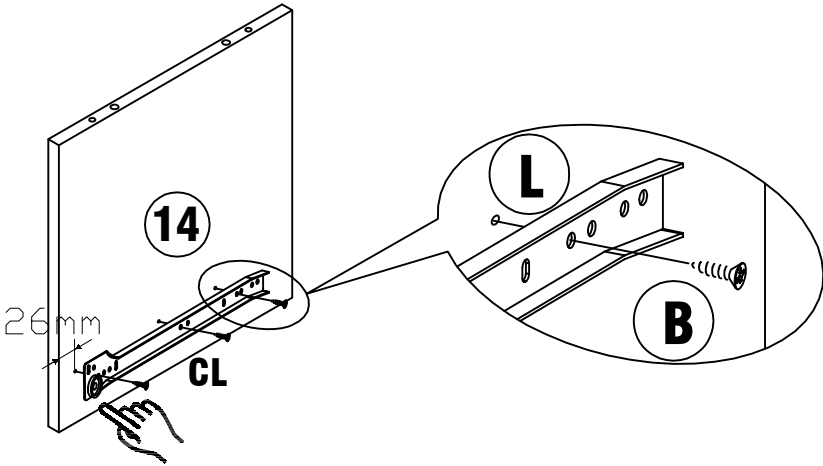
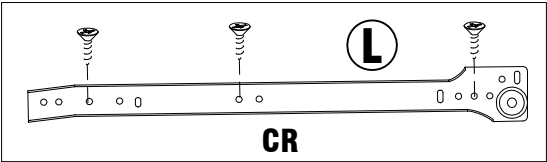
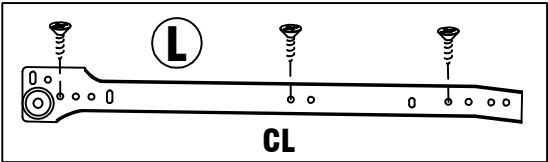


STEP 3

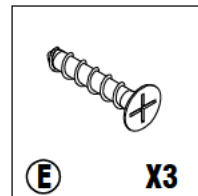


STEP 4

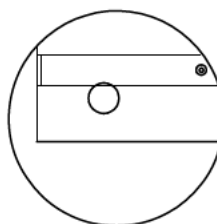
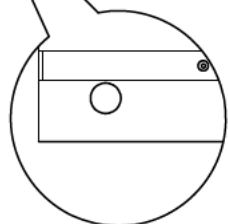
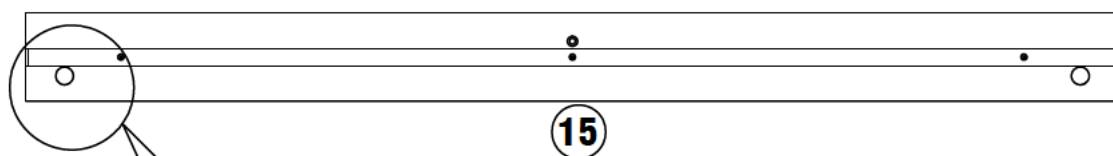
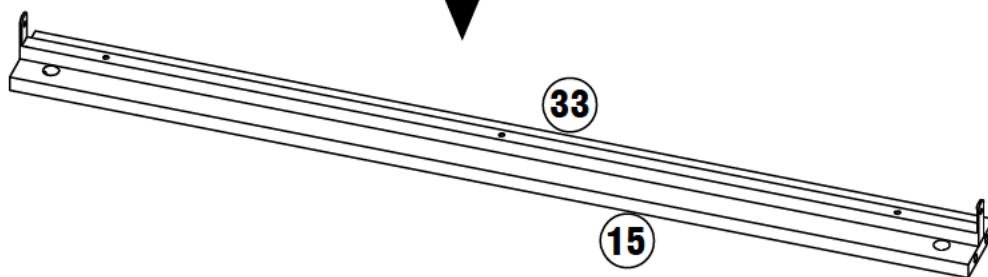
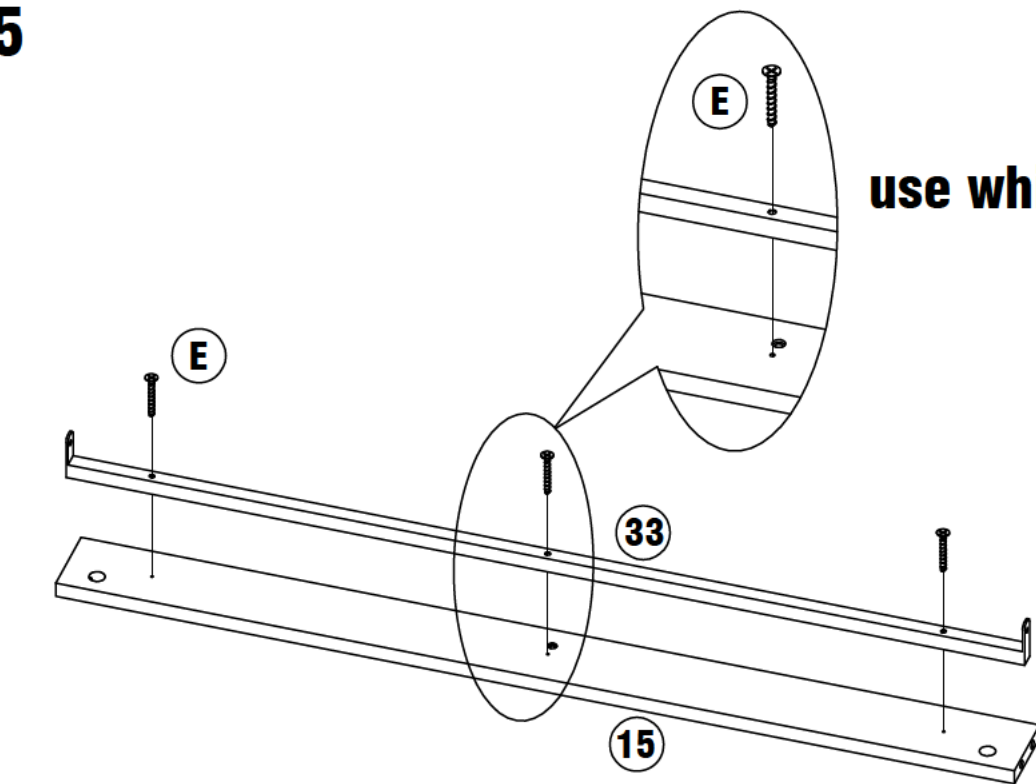
| | |
|--|--|
|  |  |
| (B) X6 | (L) X1 |



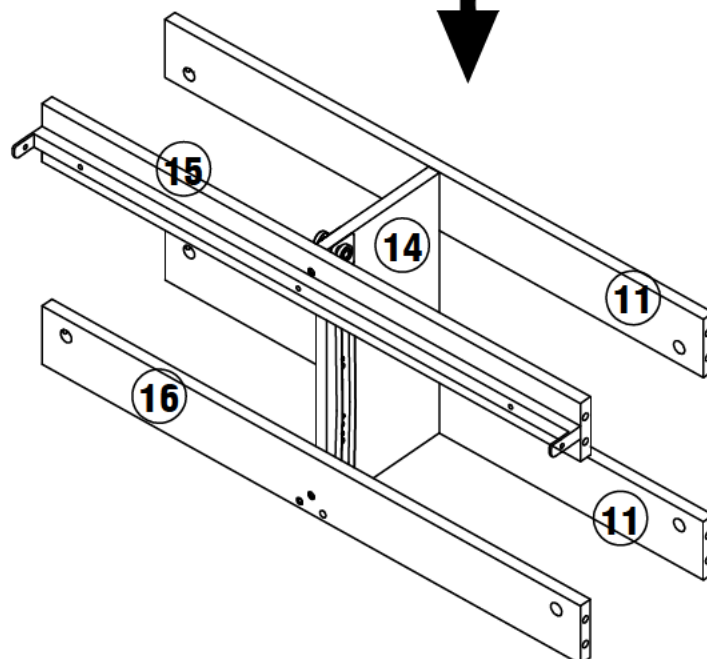
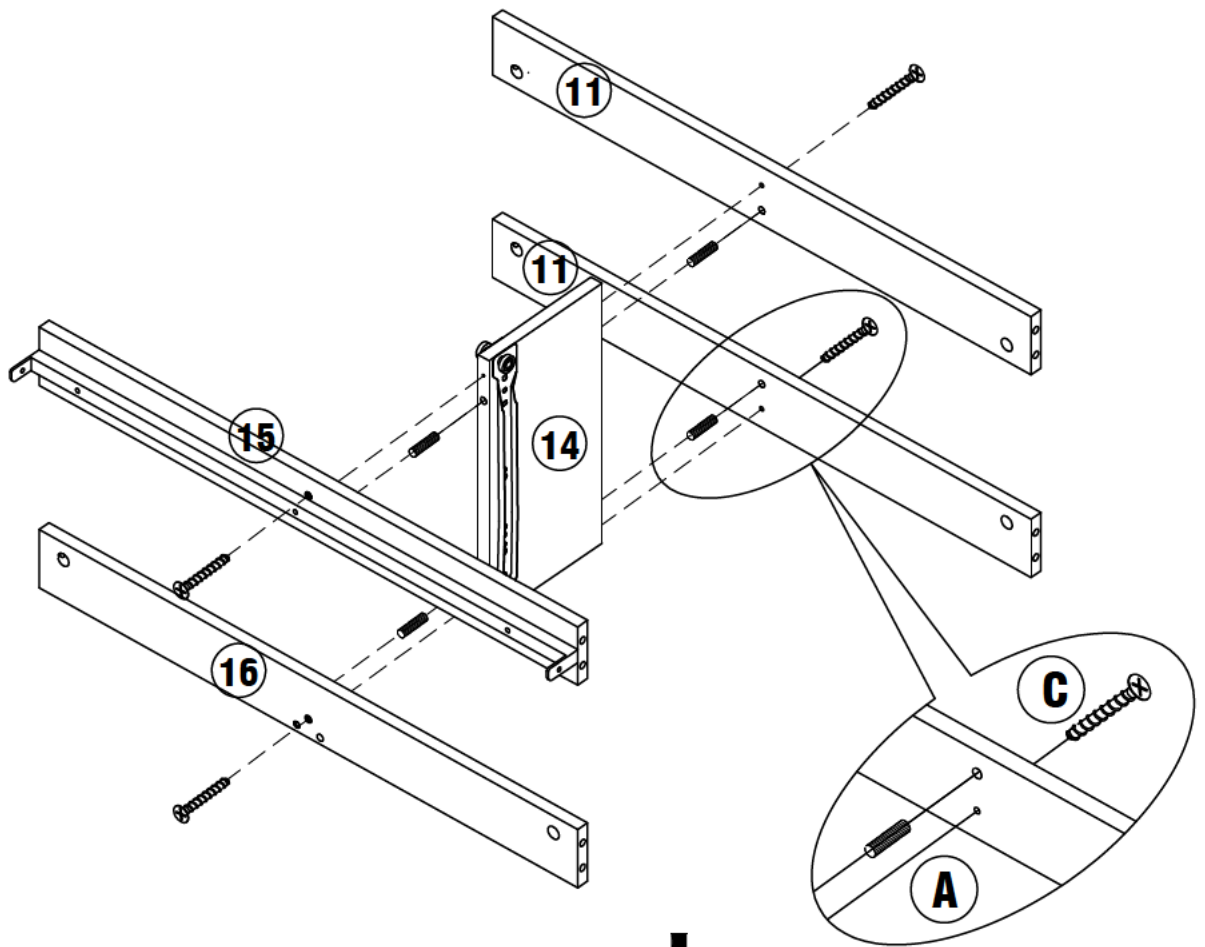
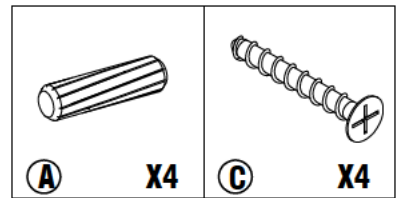
STEP 5



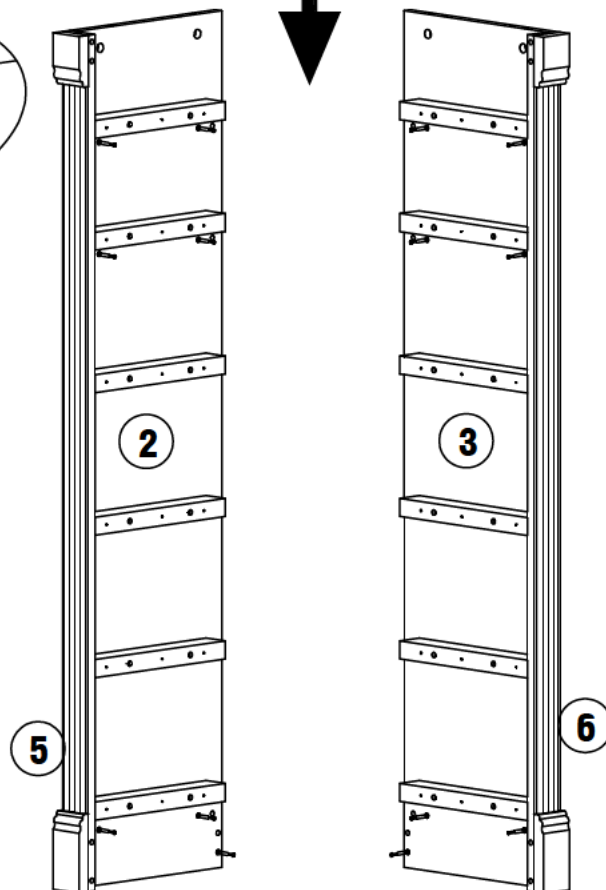
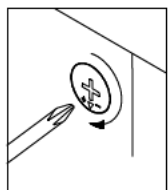
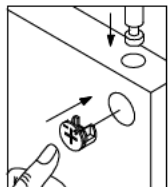
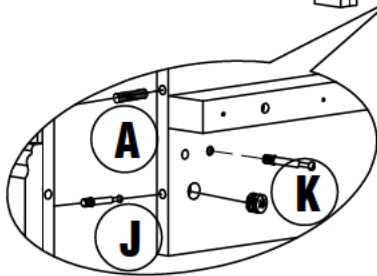
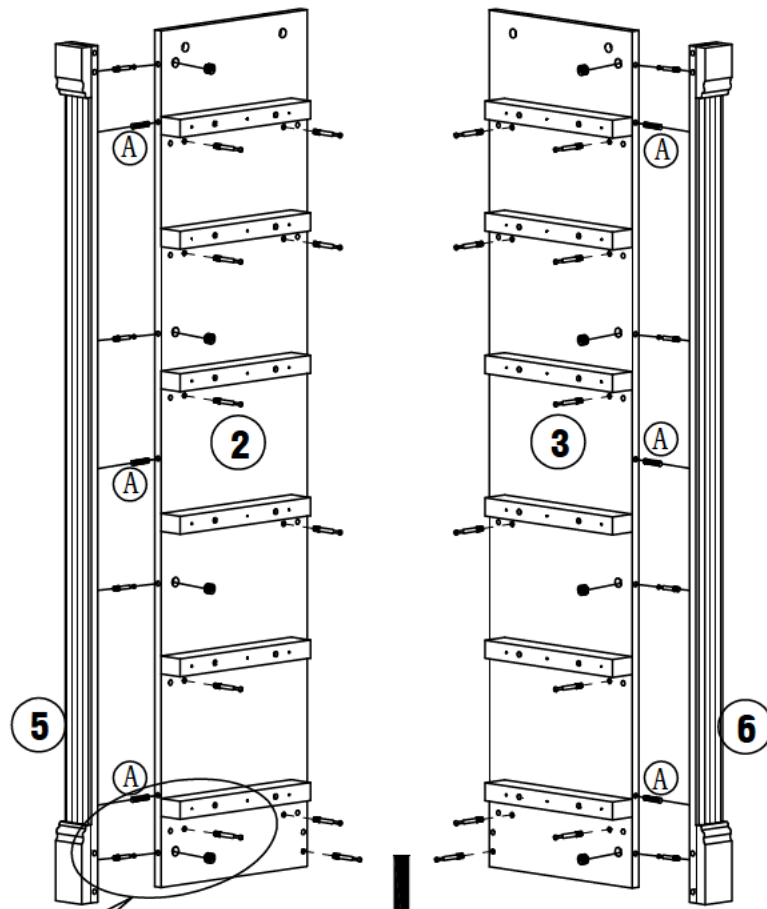
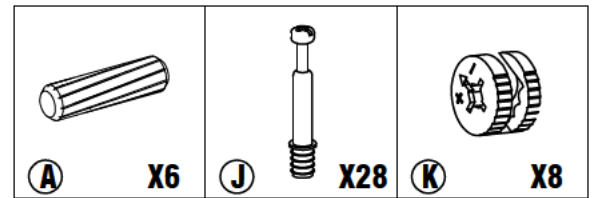
use white screw E



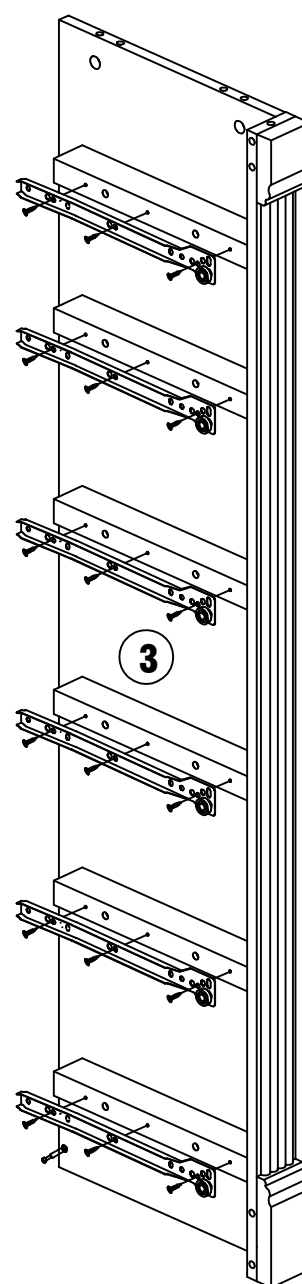
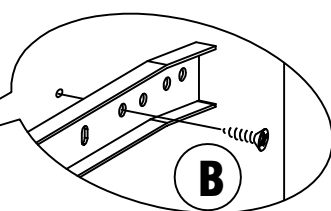
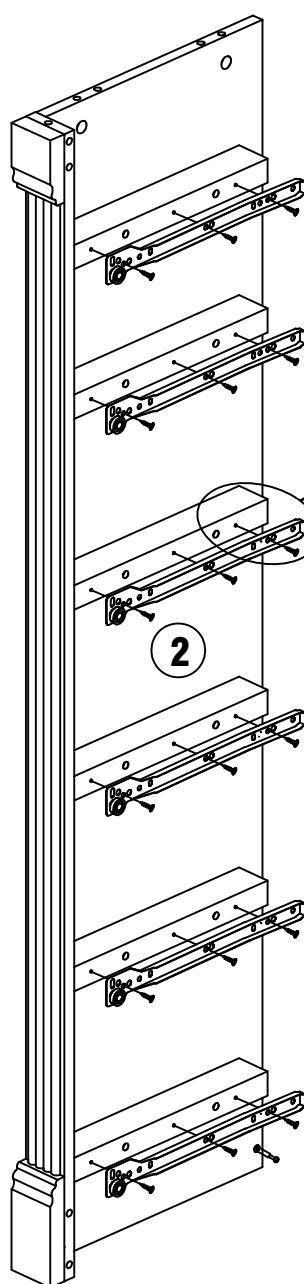
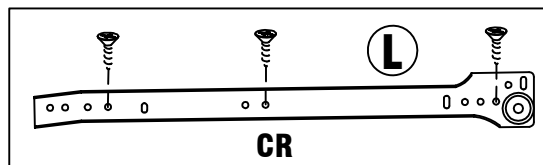
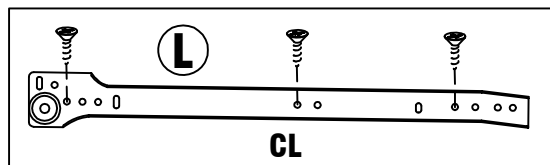
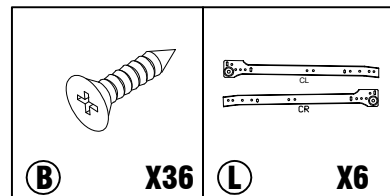
STEP 6



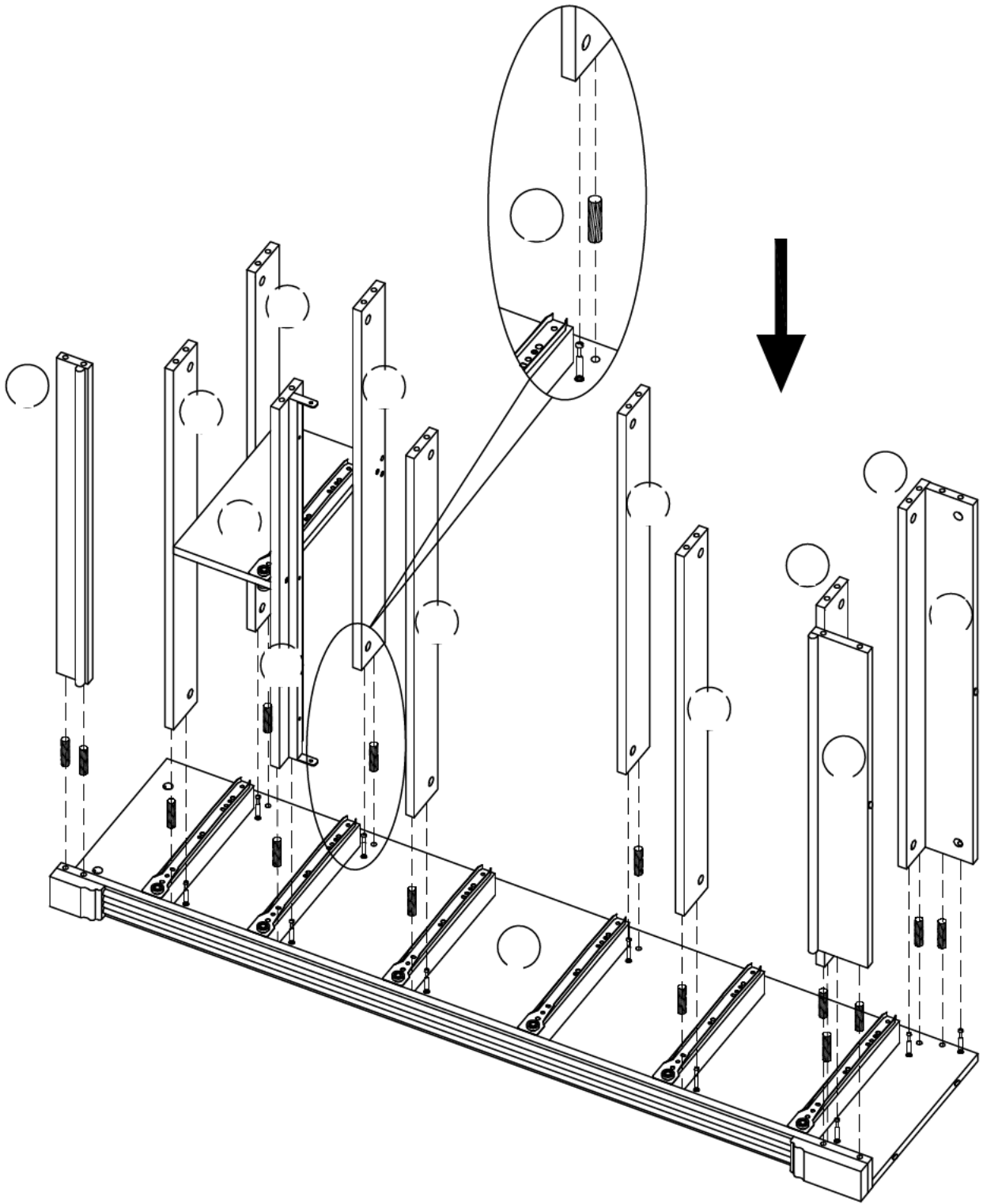
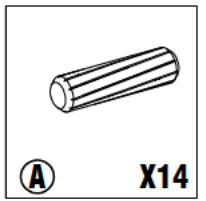
STEP 7



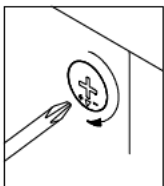
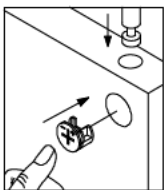
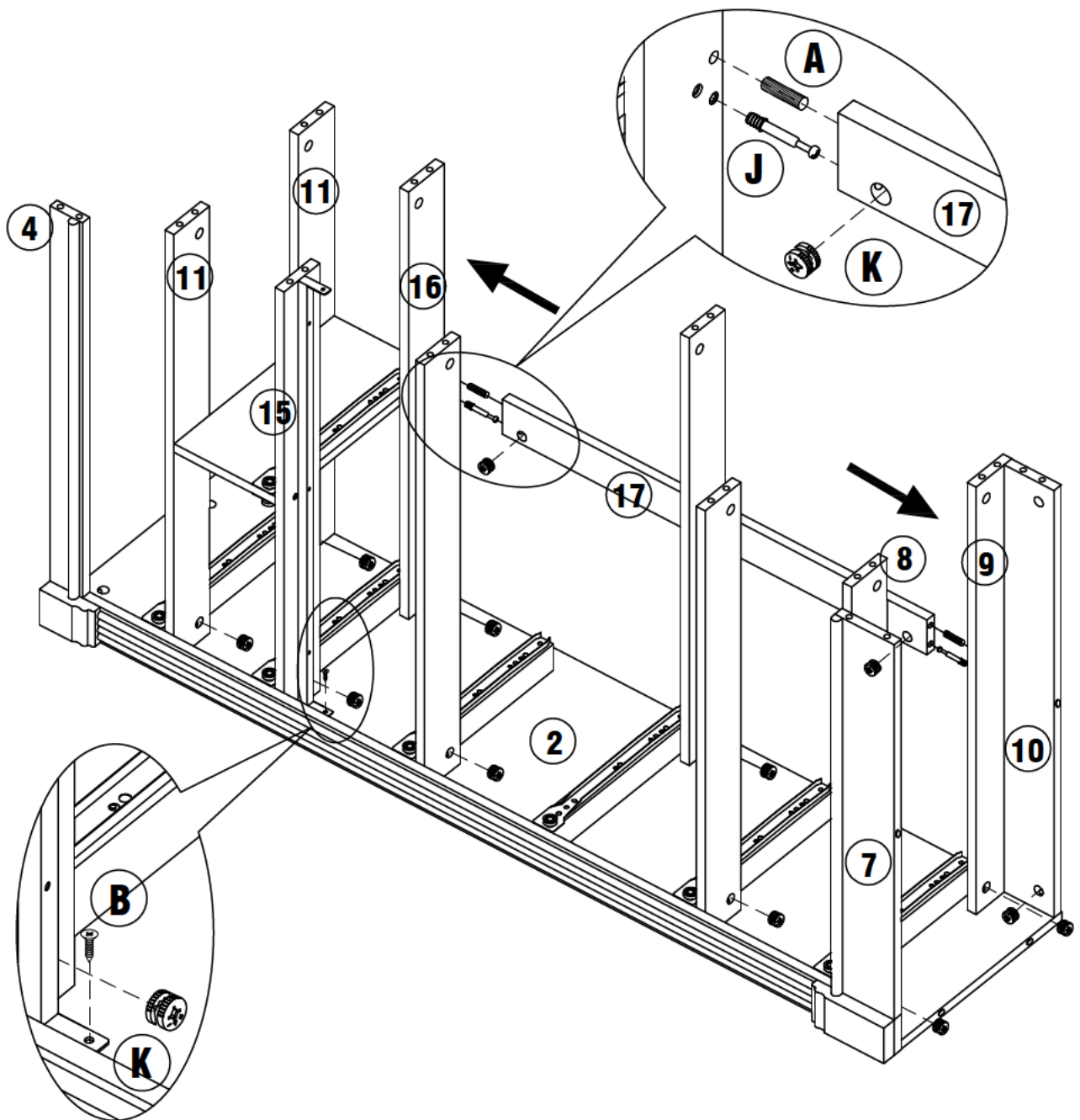
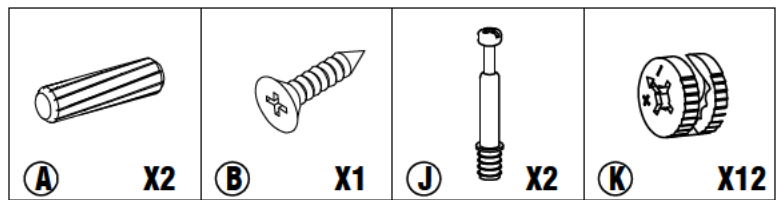
STEP 8



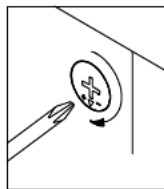
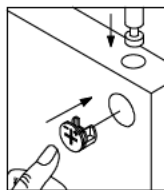
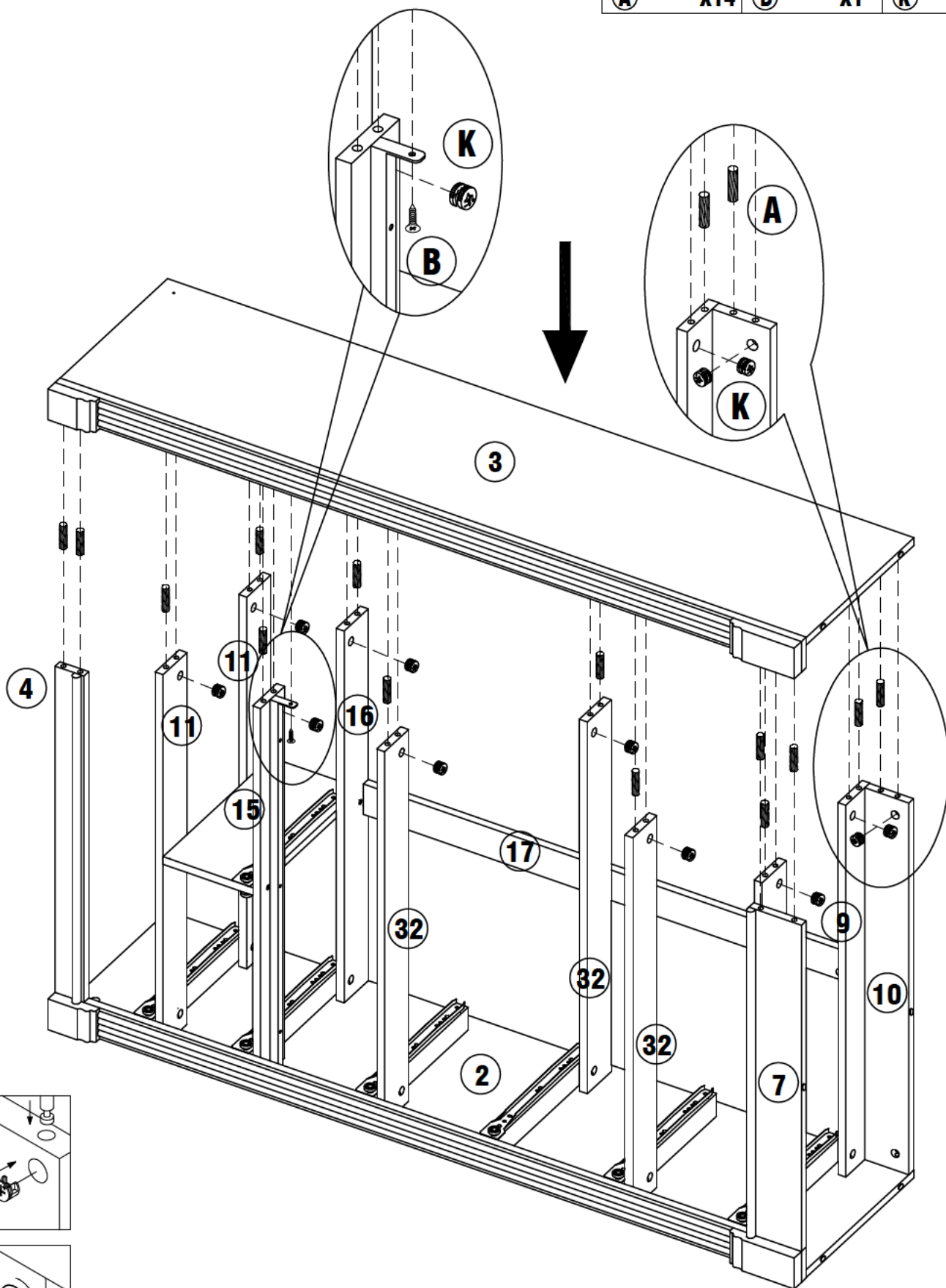
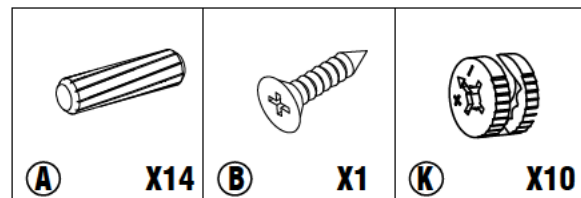
STEP 9



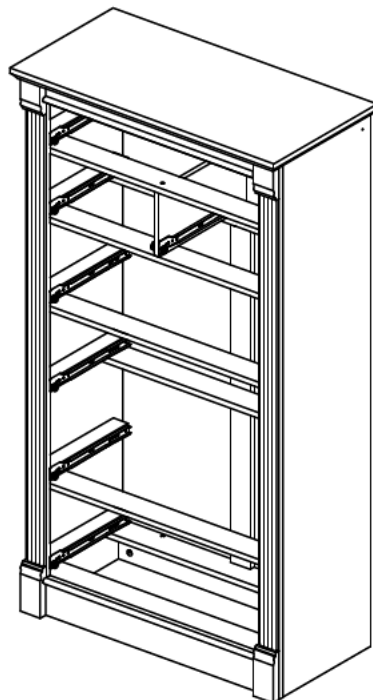
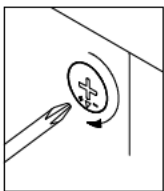
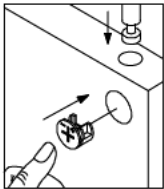
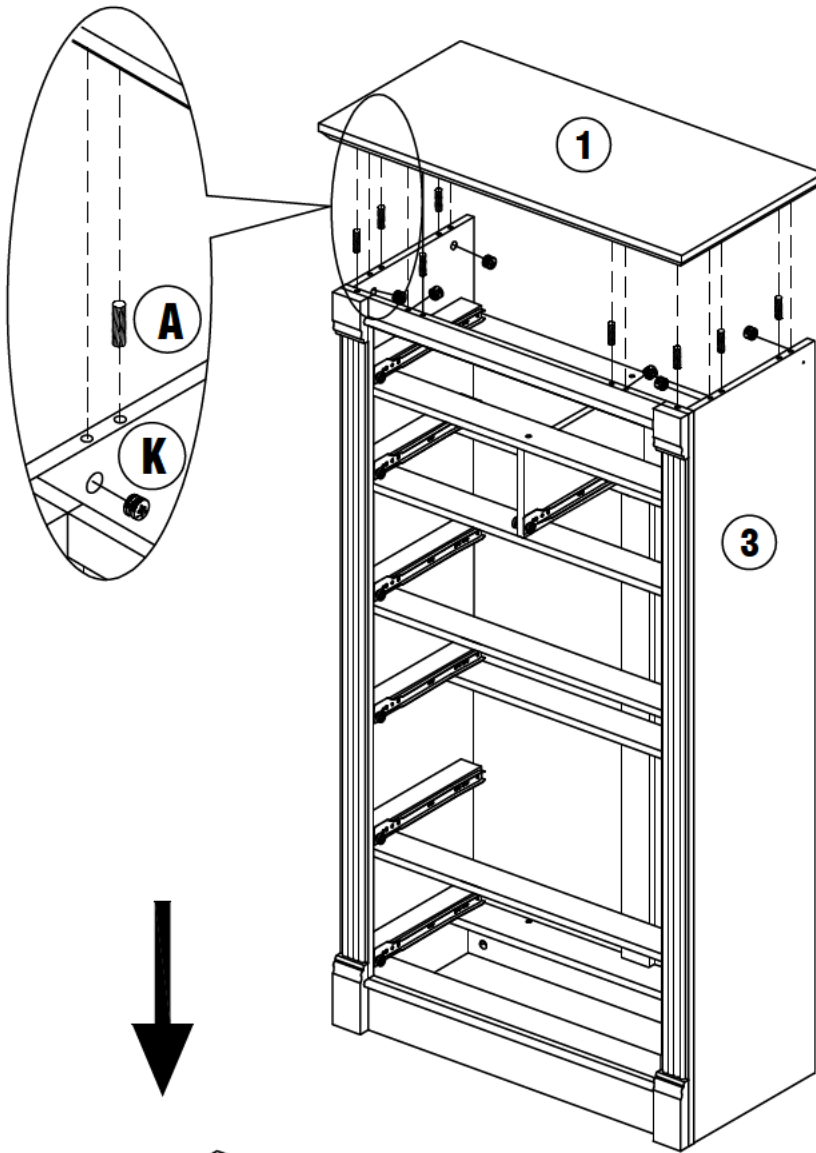
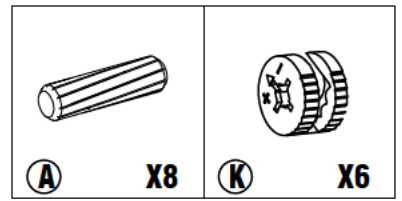
STEP 10



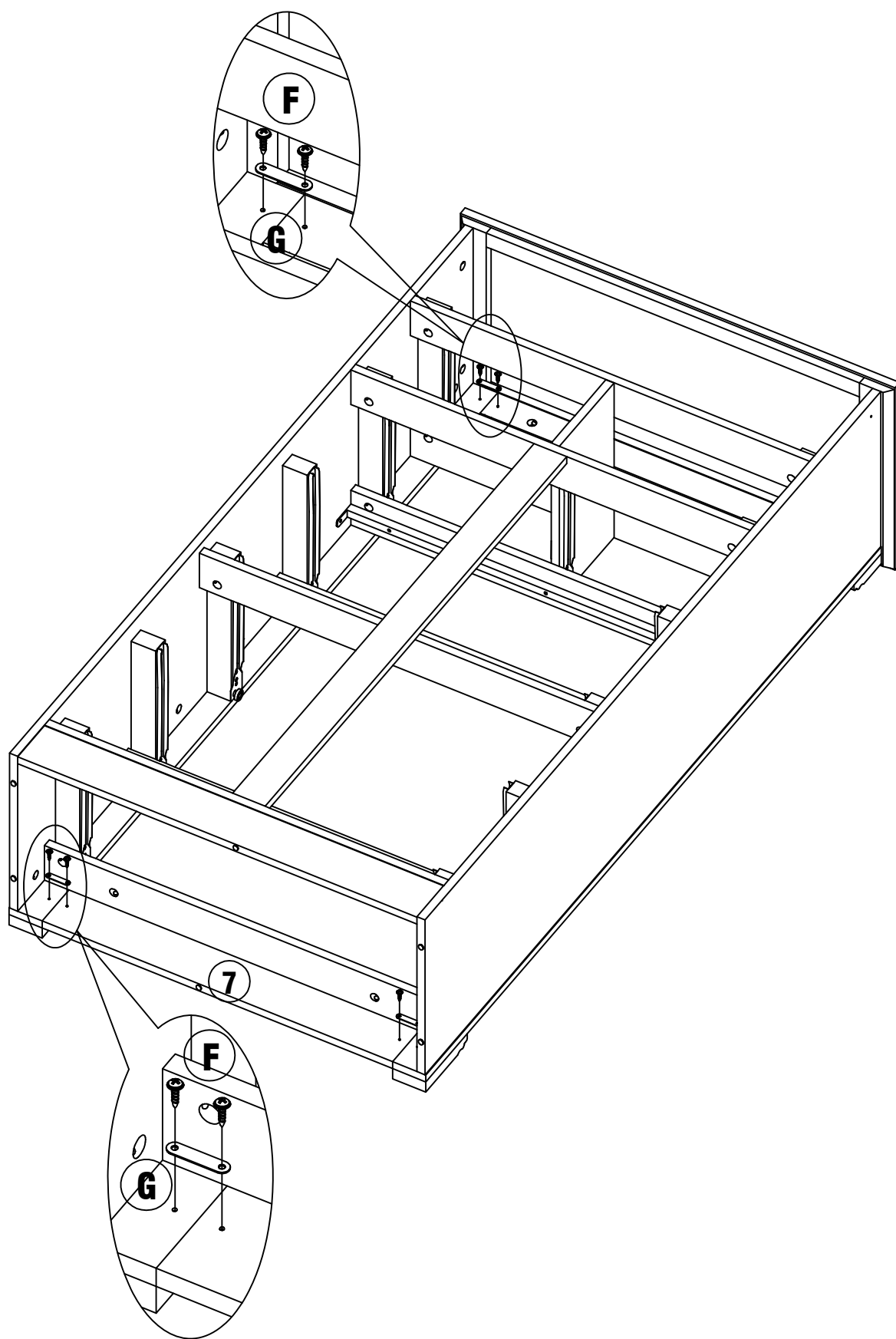
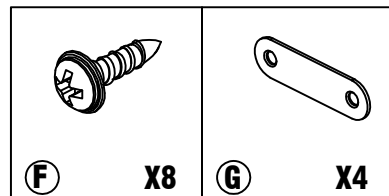
STEP 11



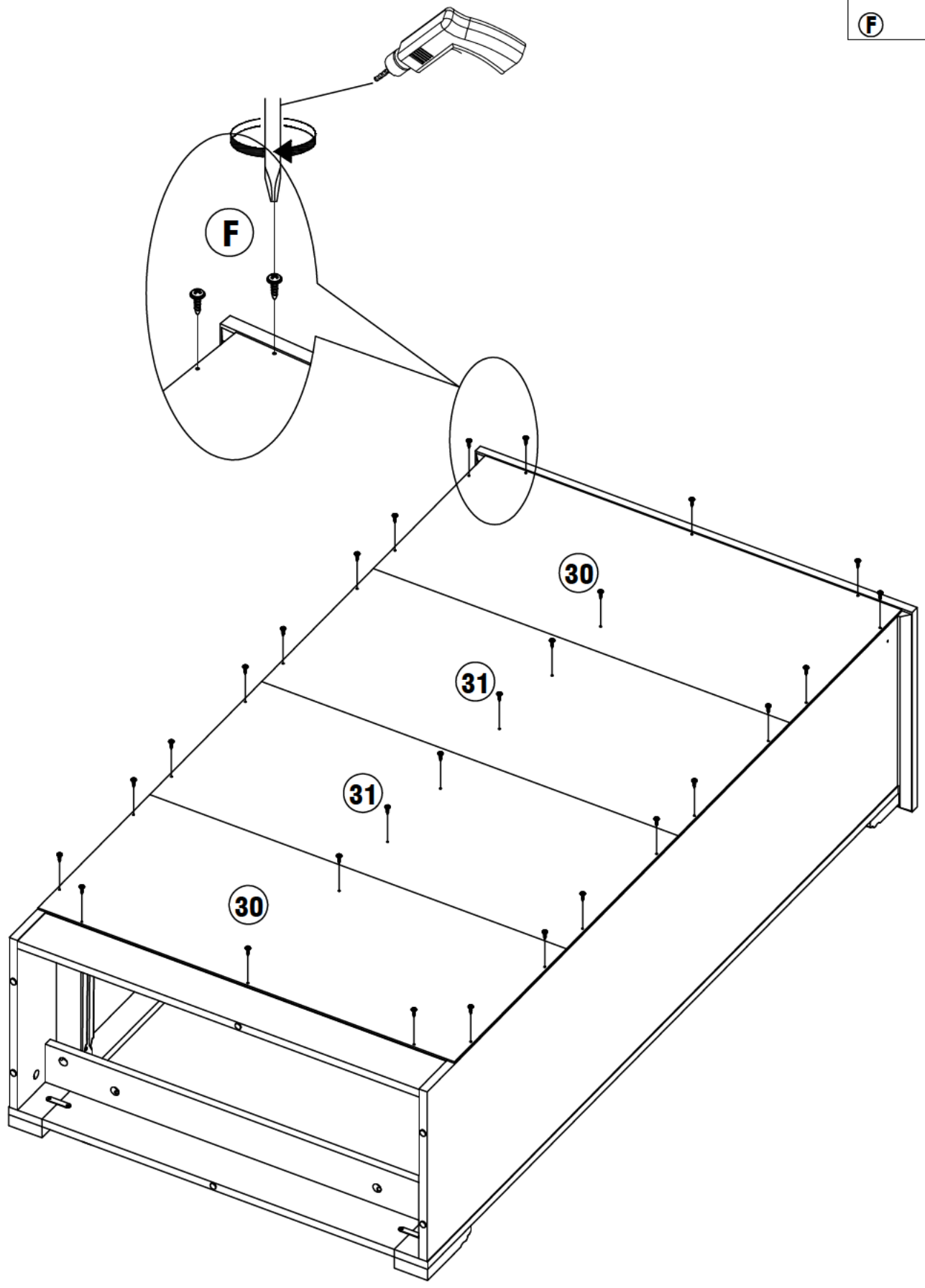
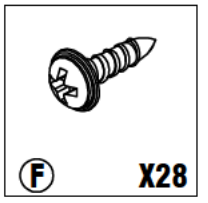
STEP 12



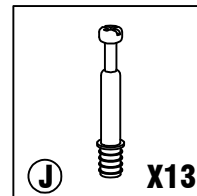
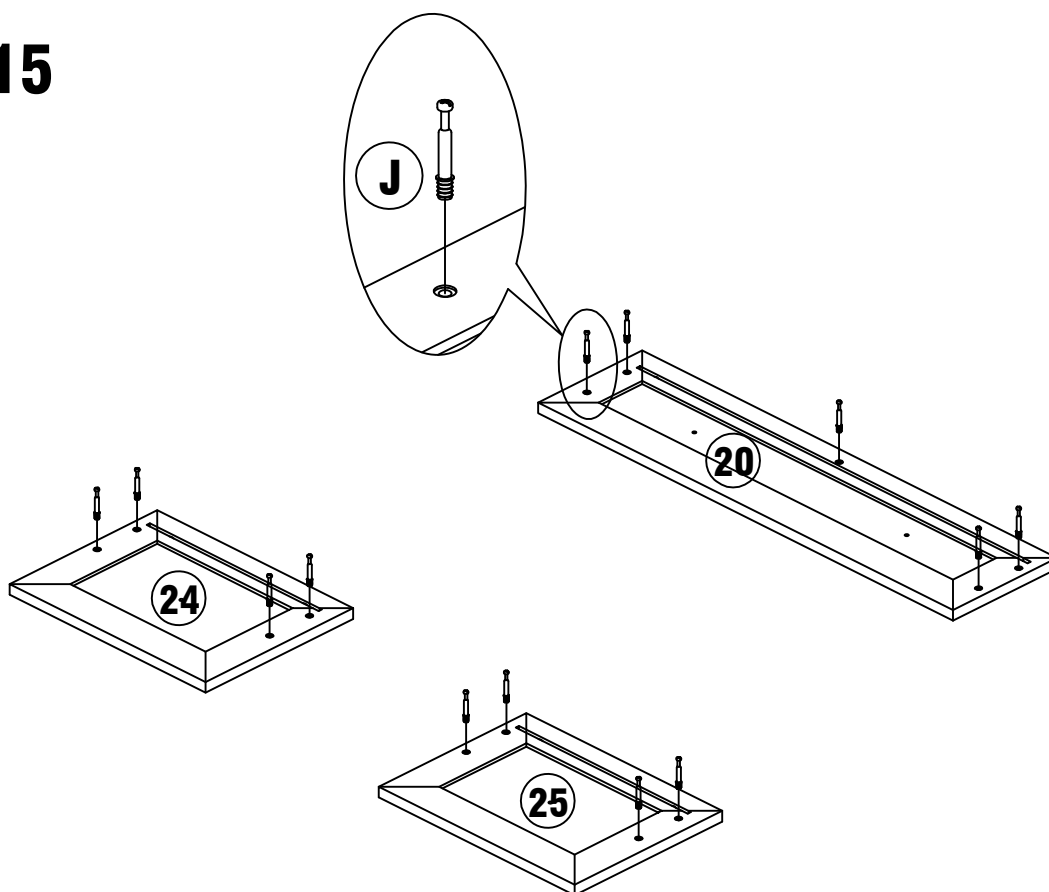
STEP 13



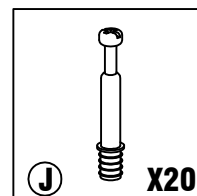
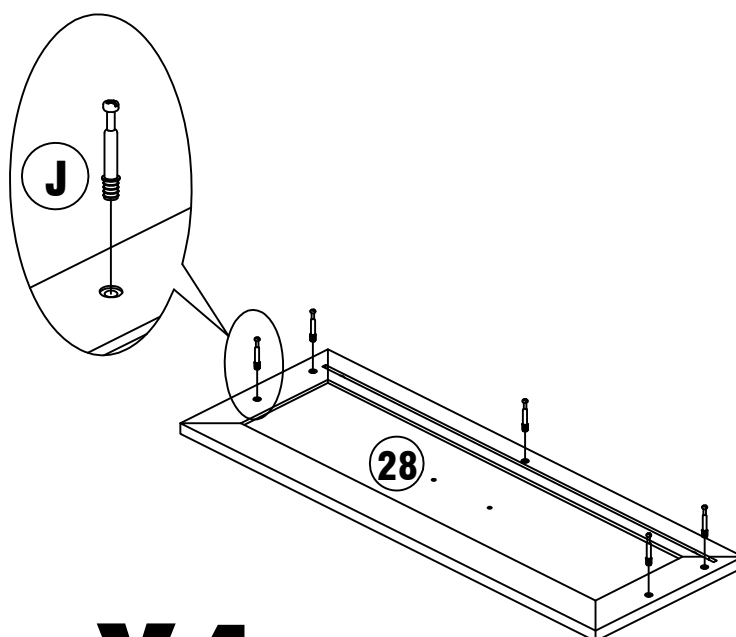
STEP 14



STEP 15

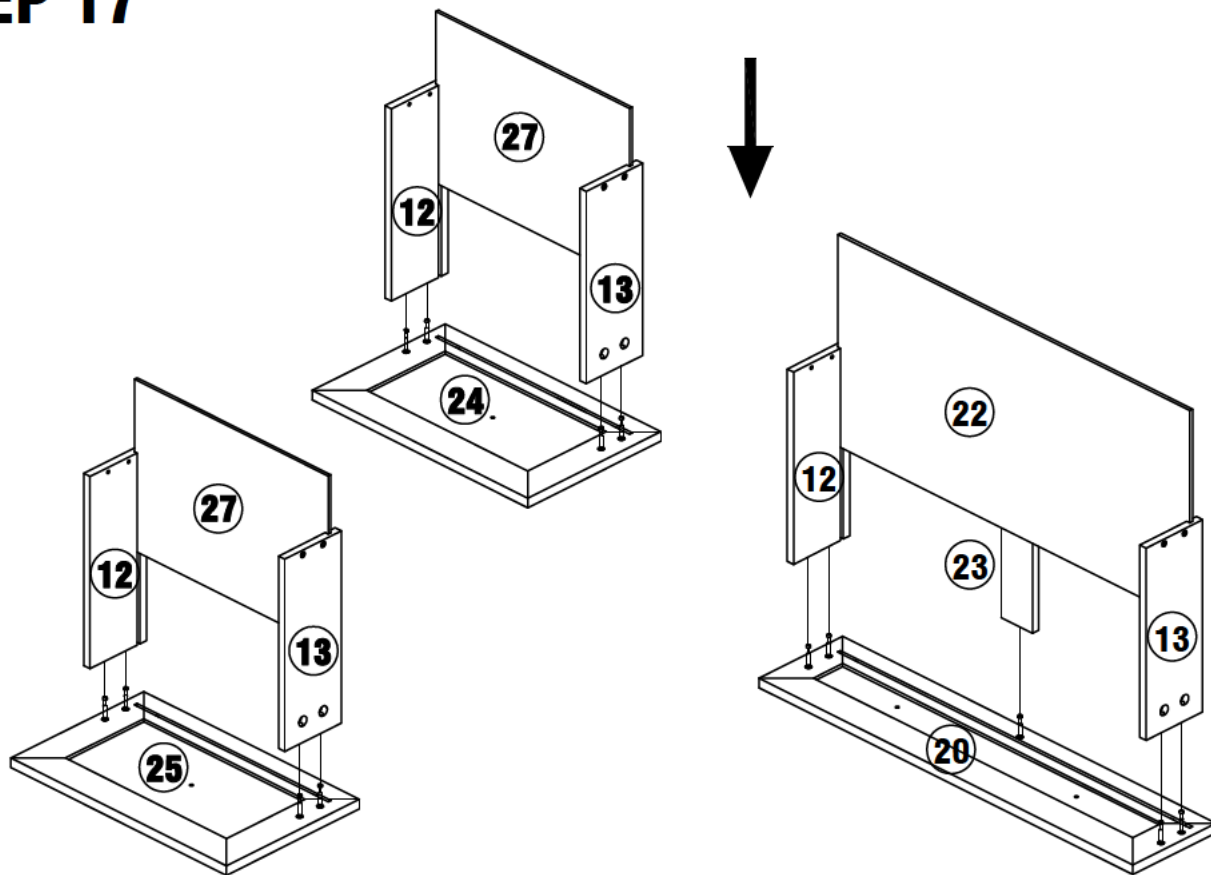


STEP 16

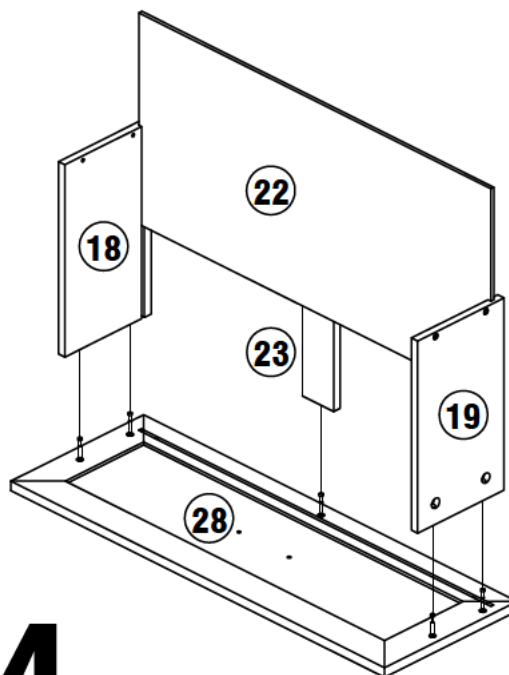


X4

STEP 17

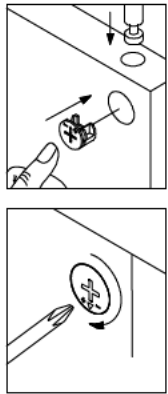
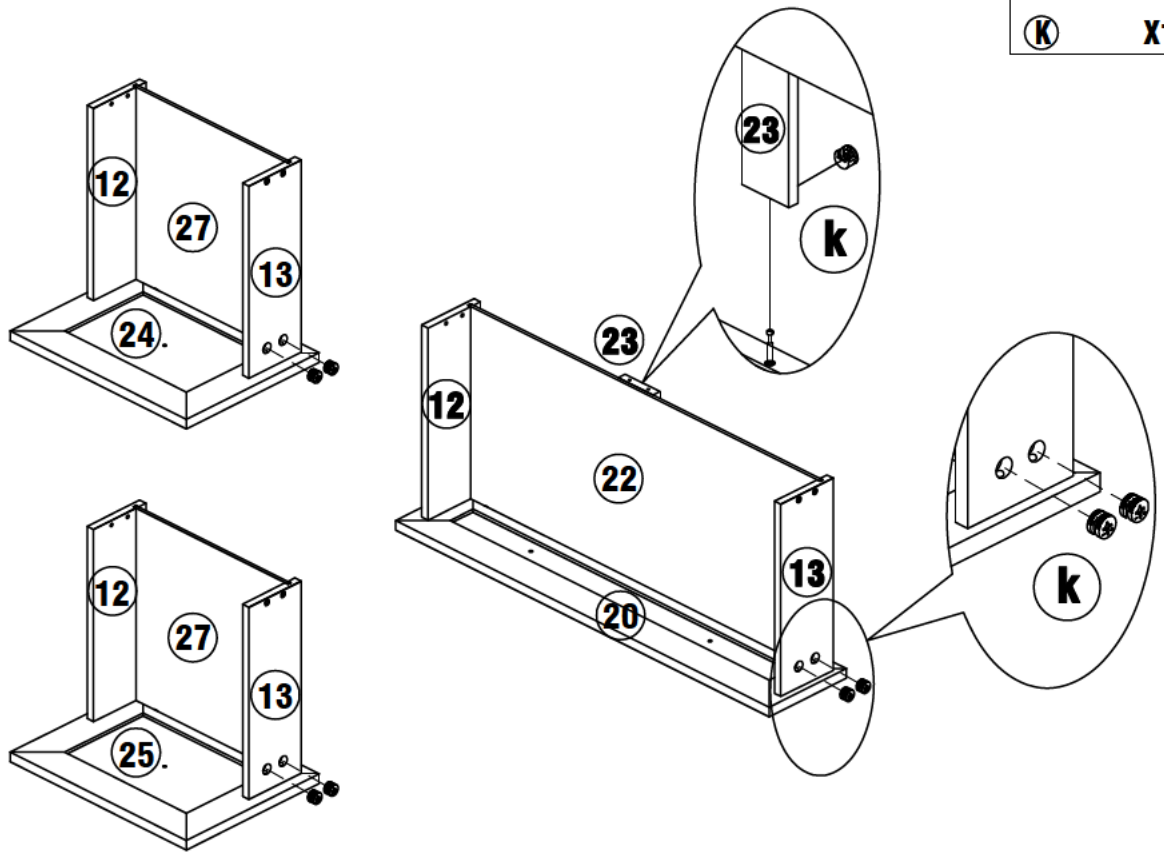


STEP 18

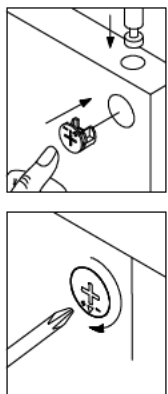
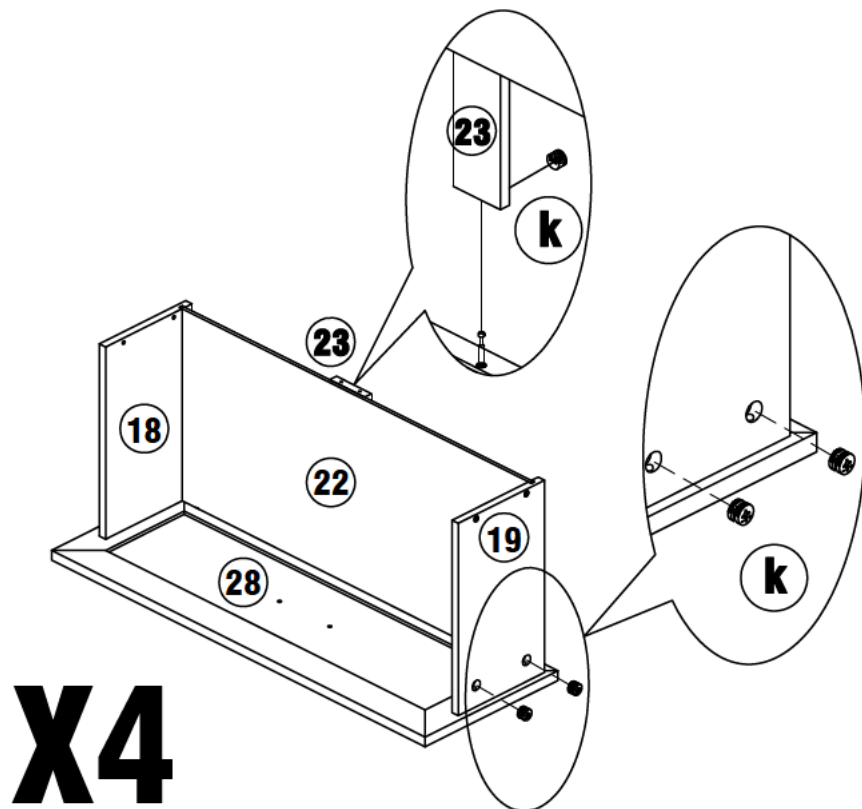


X4

STEP 19

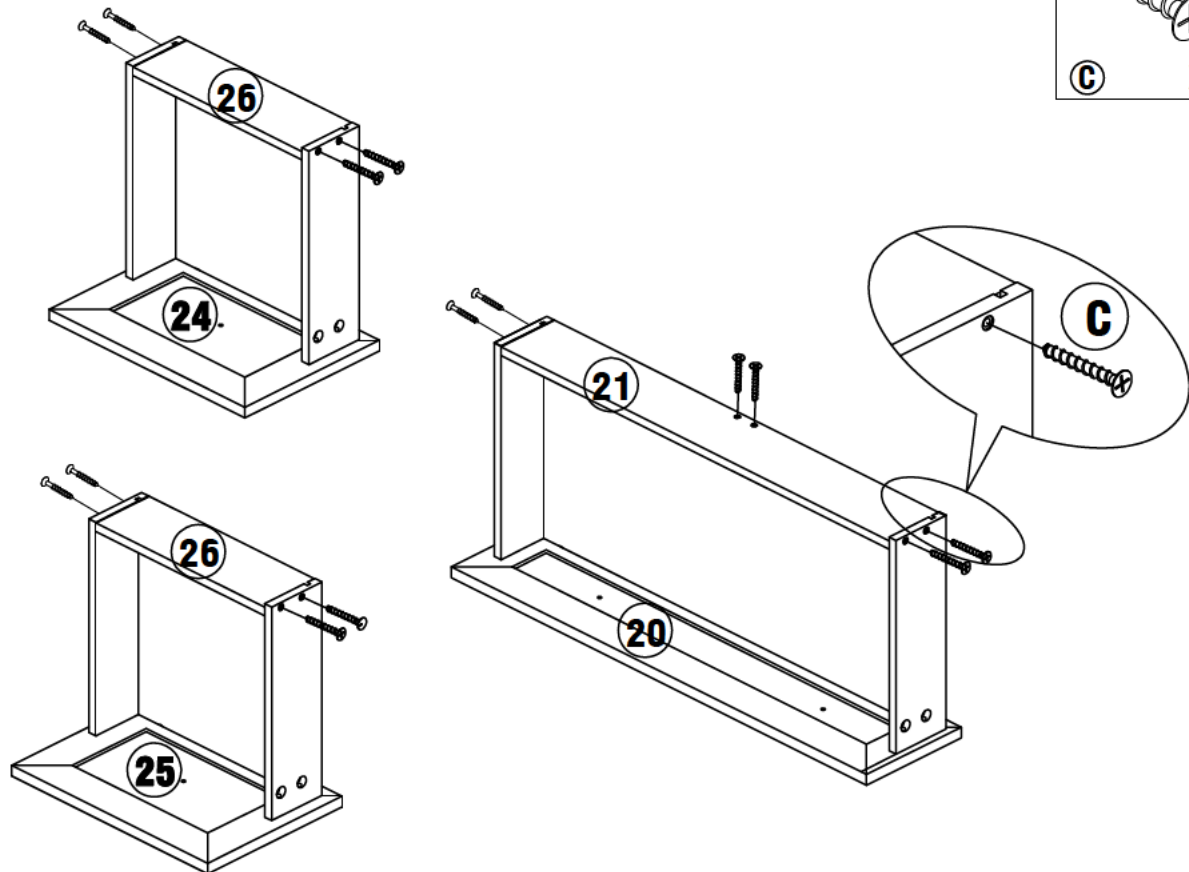


STEP 20

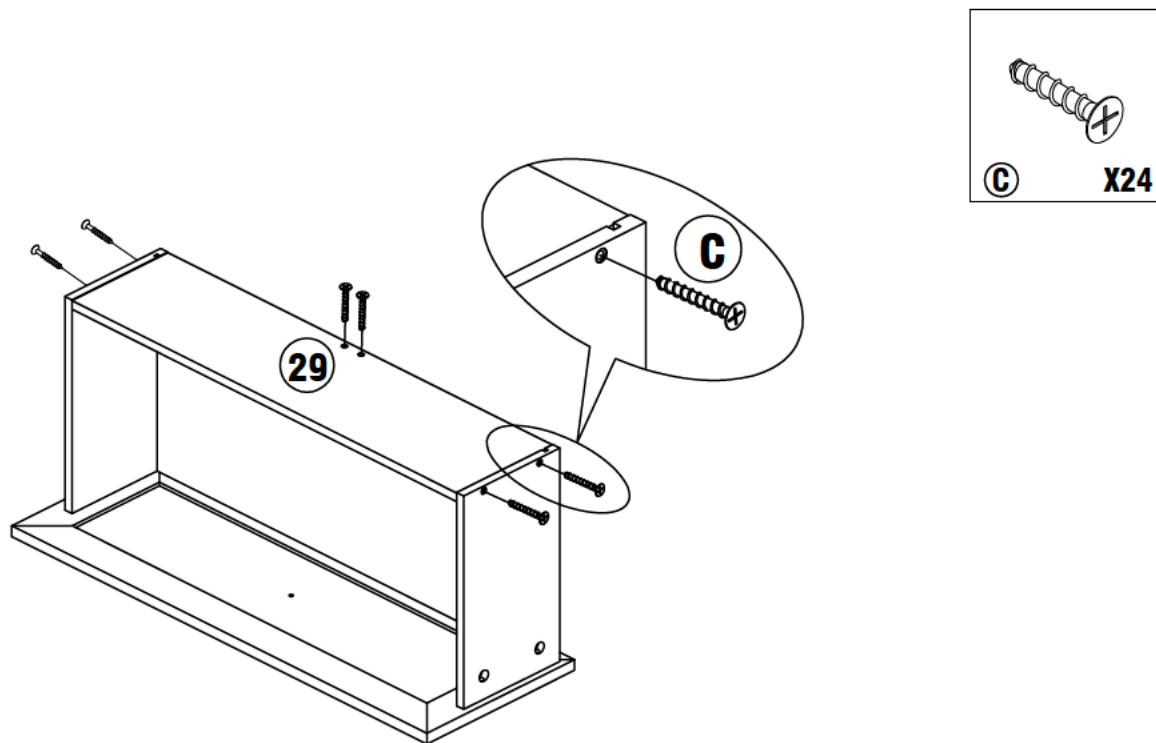


X4

STEP 21

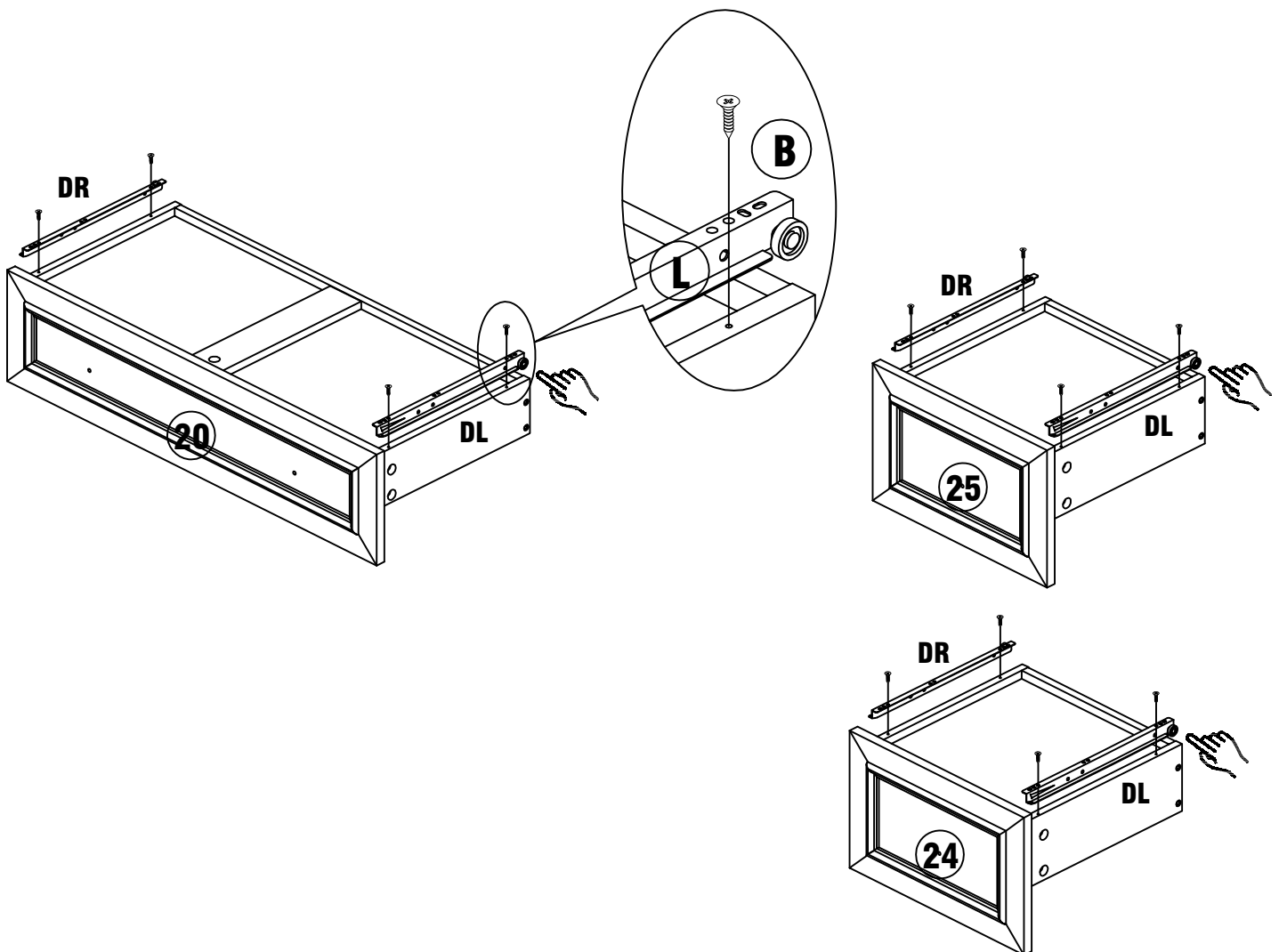
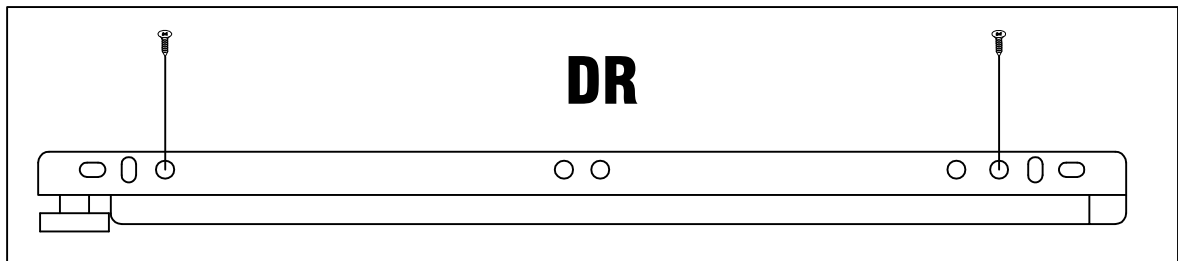
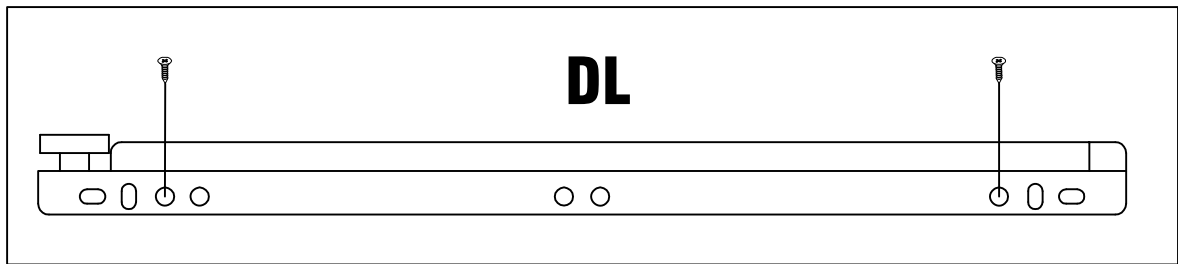
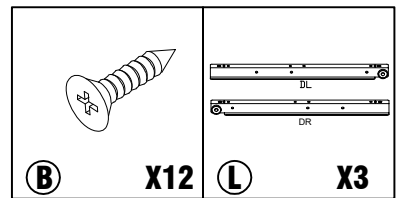


STEP 22

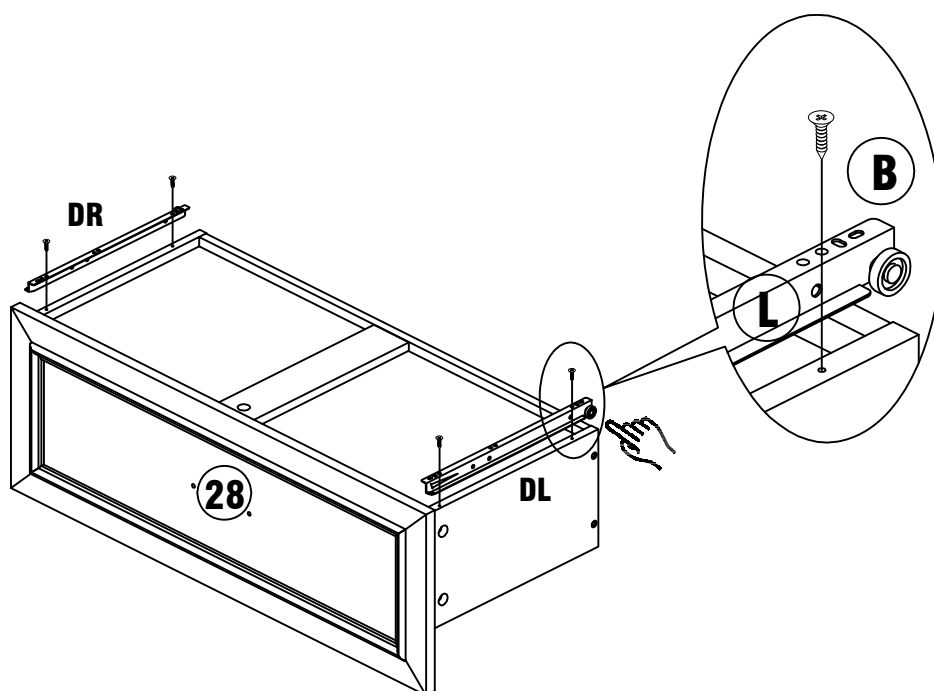
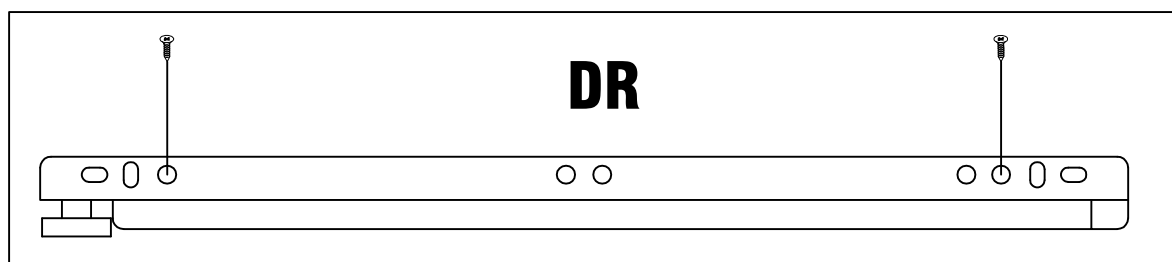
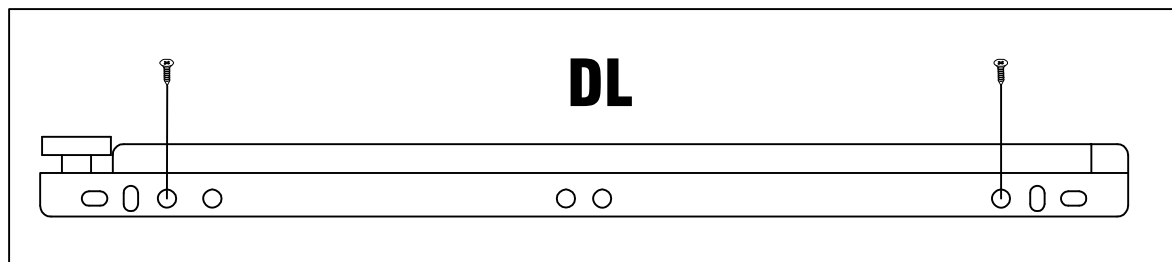
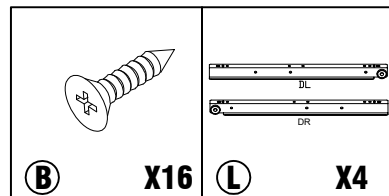


X4

STEP 23

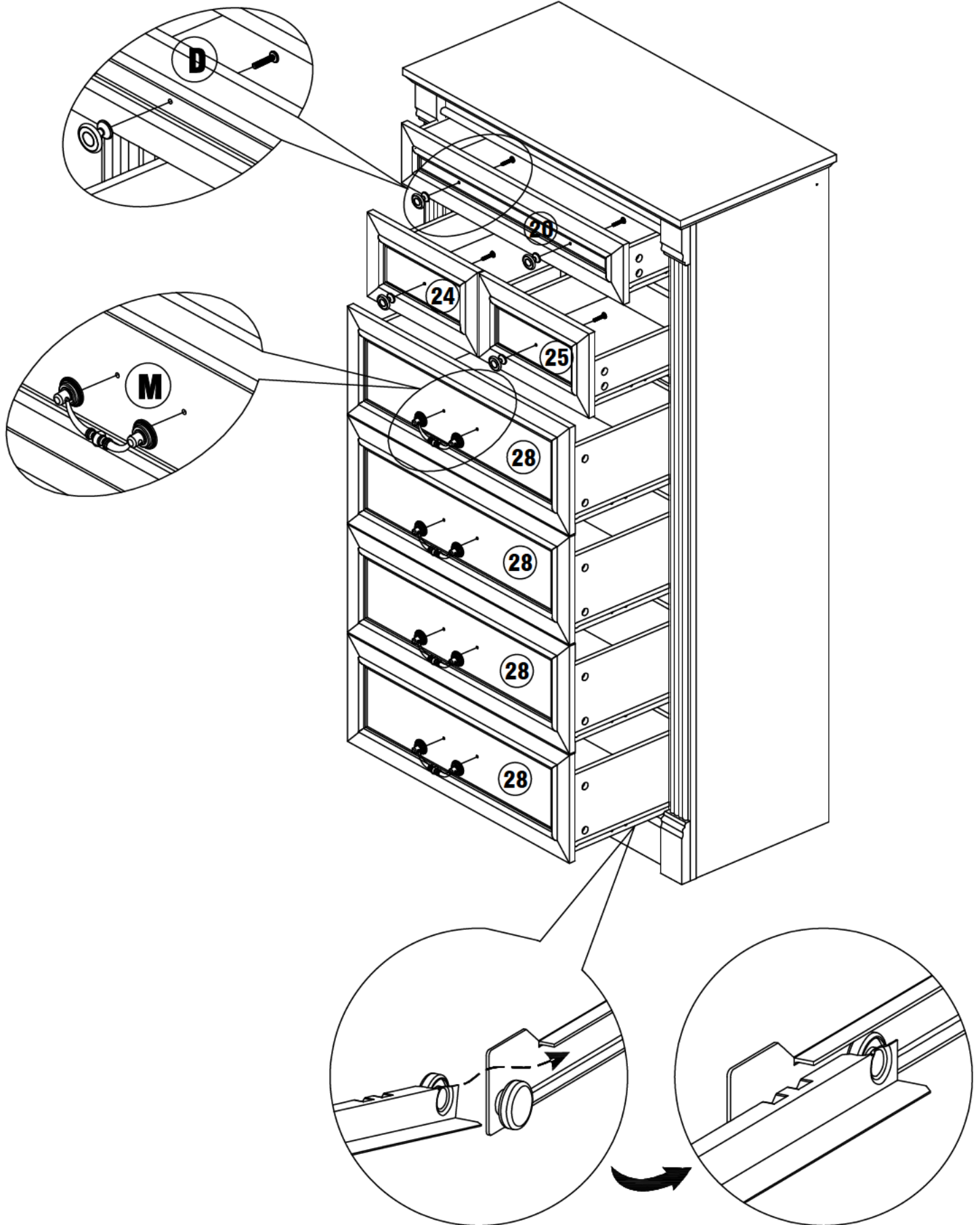
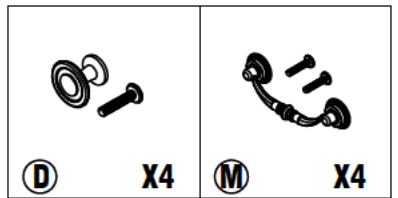


STEP 24

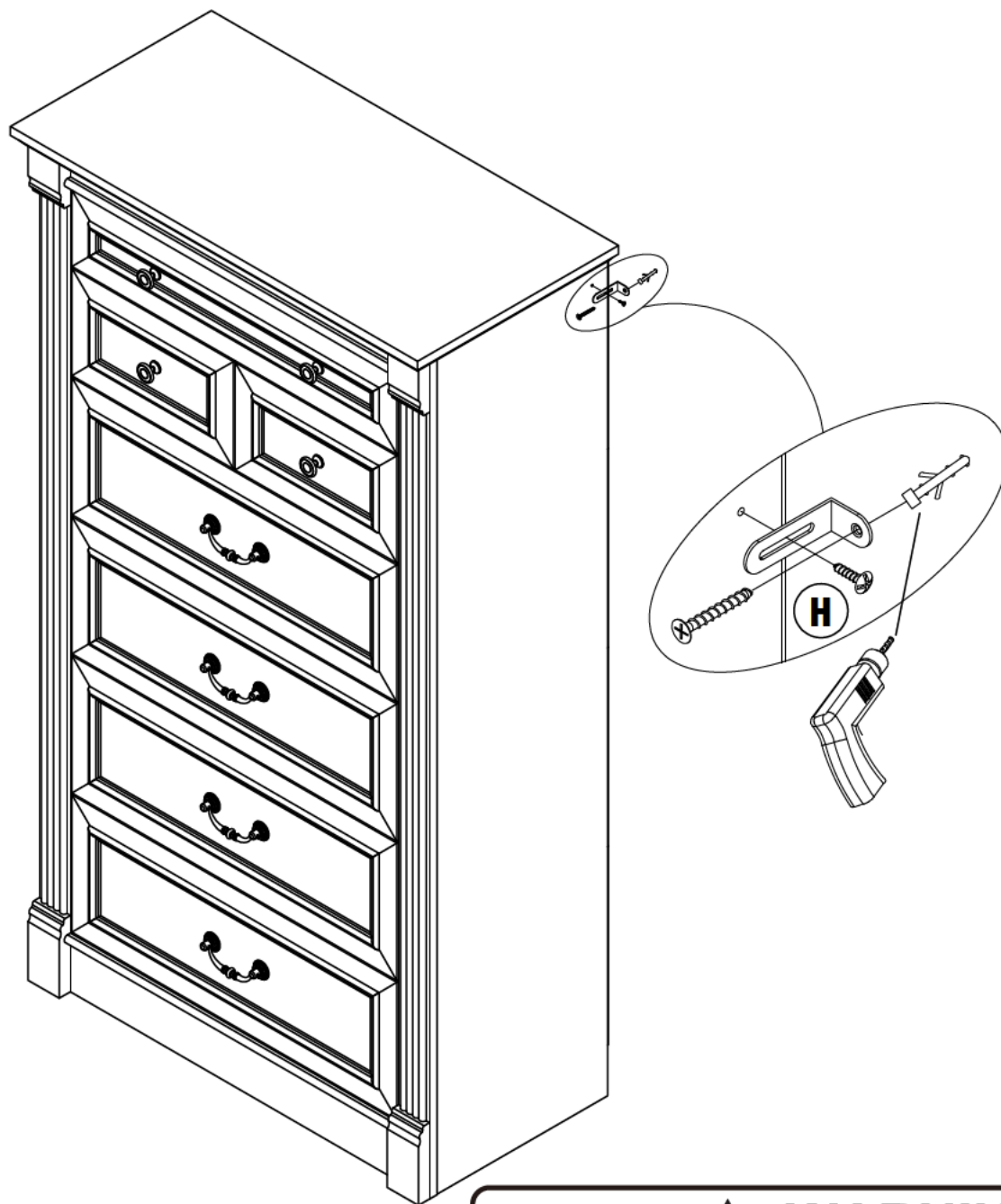
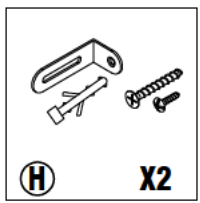


X4

STEP 25



STEP 26



⚠ WARNING



Children have died from furniture tipover. To reduce the risk of furniture tipover:

- ALWAYS install anti-tip device provided.
- NEVER put a TV on this product.
- NEVER allow children to stand, climb or hang on any drawers, doors, or shelves.
- NEVER open more than one drawer at a time.
- Place heaviest items in the lowest drawers.

*this is a permanent label.
Do not remove!*