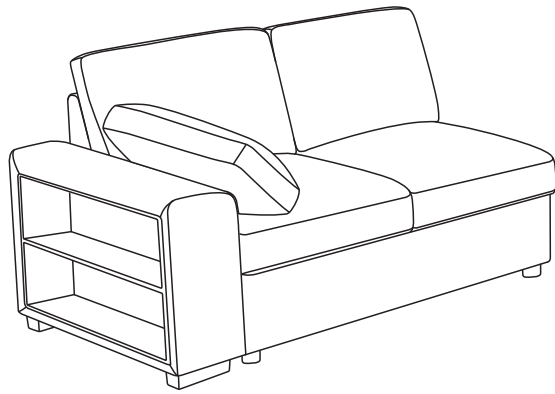
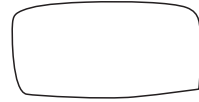
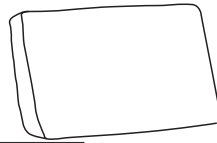
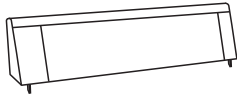
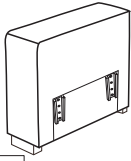
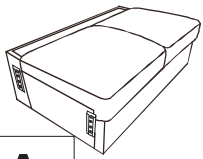


ASSEMBLY INSTRUCTION



PARTS LIST



A

X1

B

X1

C

X1

D

X2

E

X1

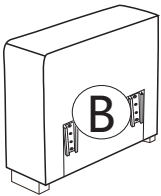
HARDWARE LIST



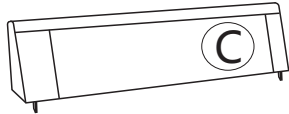
1

X4

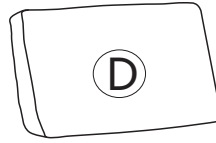
BOX-1



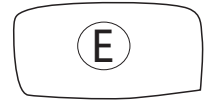
X1



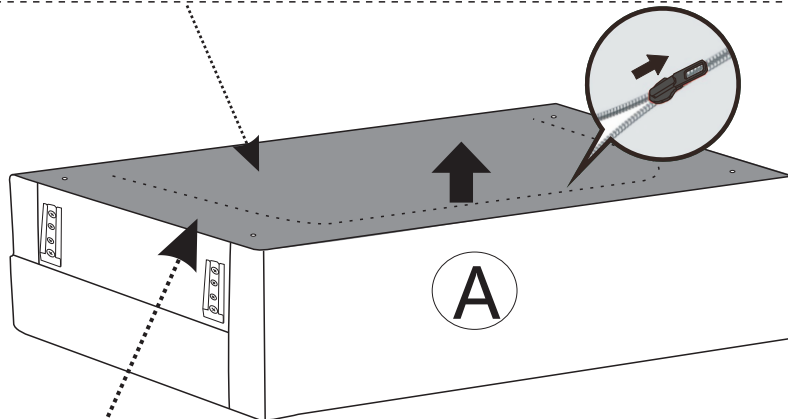
X1



X2



X1

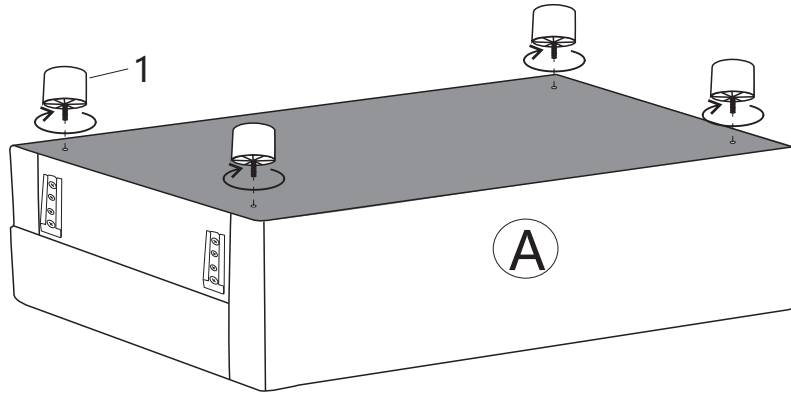


1

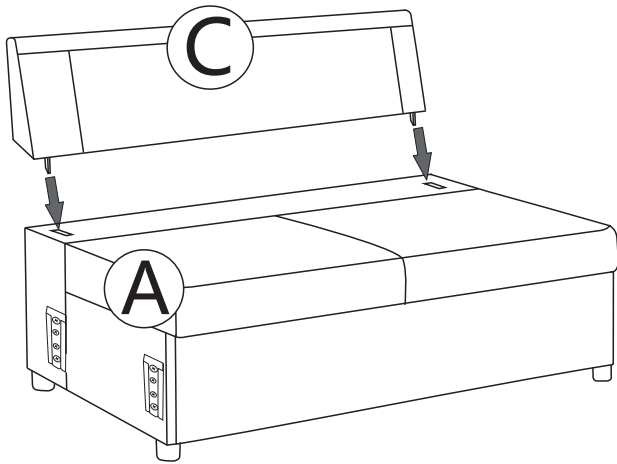


X4

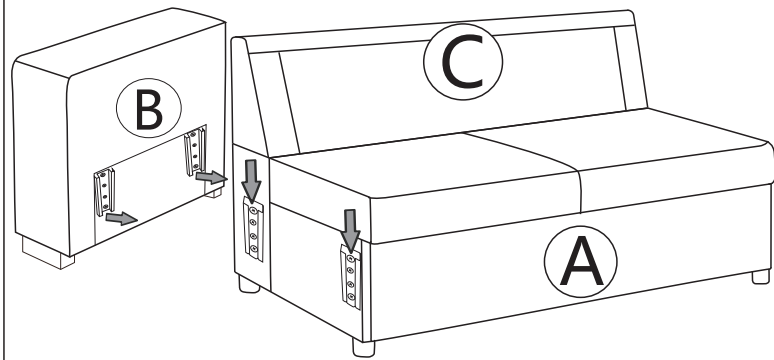
Step1



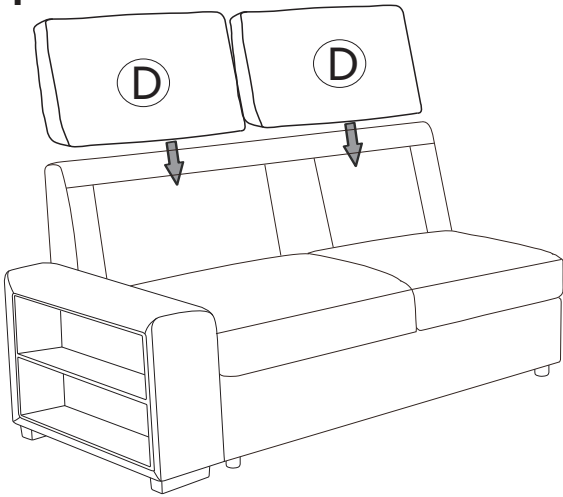
Step2



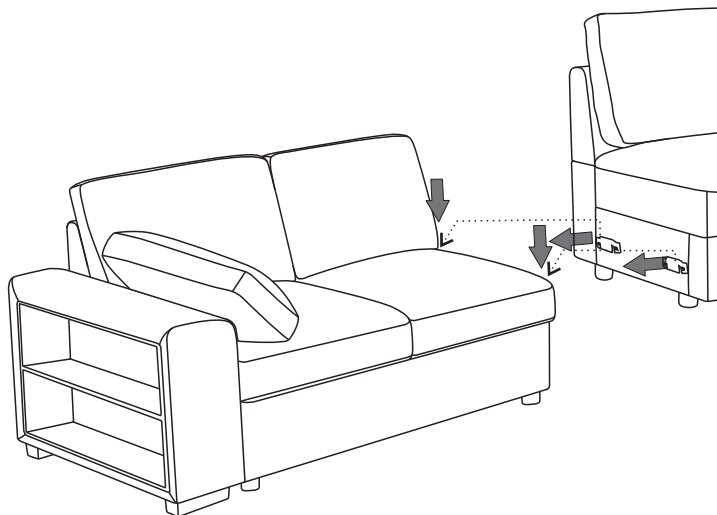
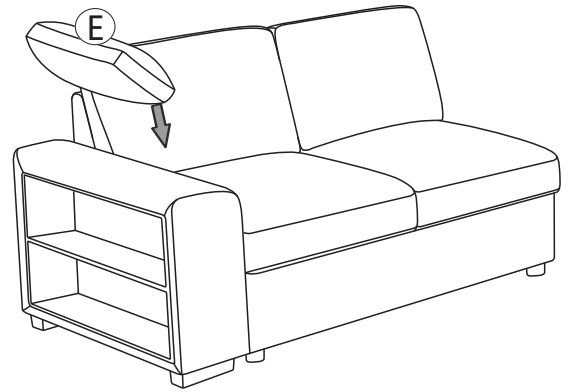
Step3



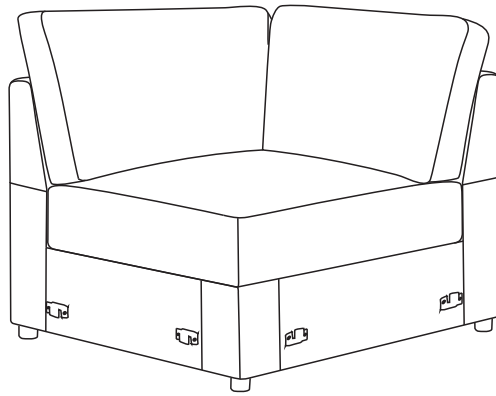
Step4



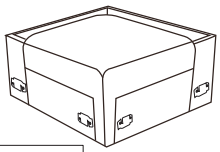
Step5



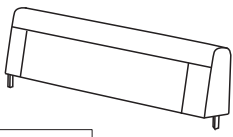
ASSEMBLY INSTRUCTION



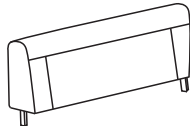
PARTS LIST



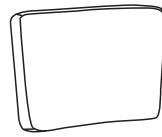
A X1



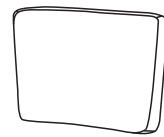
B X1



C X1



D X1

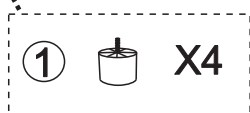
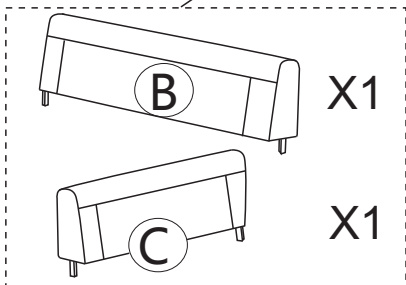
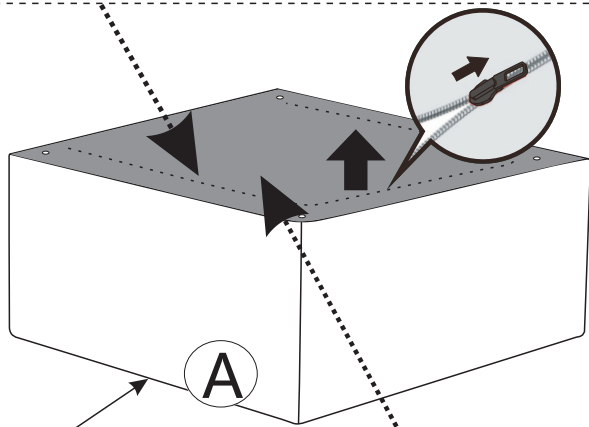


E X1

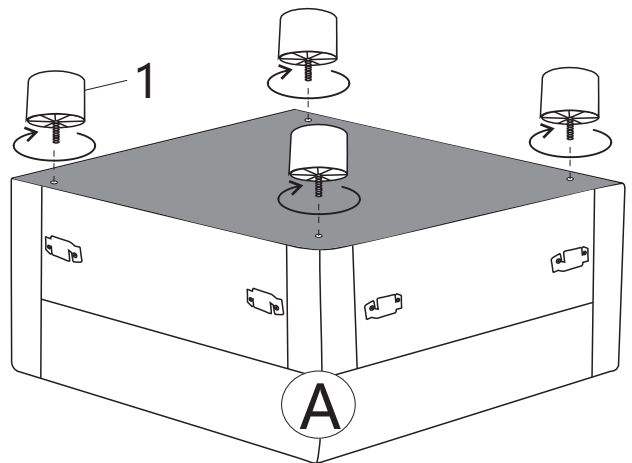
HARDWARE LIST



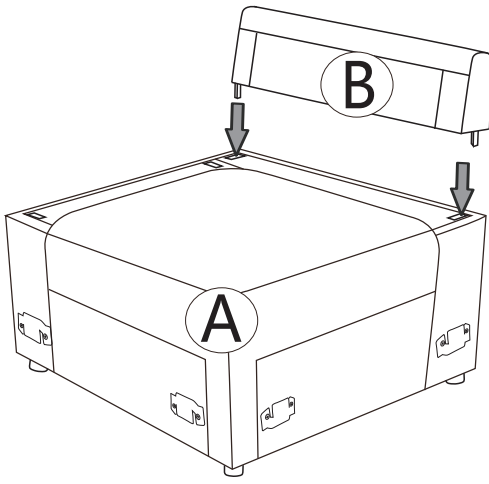
1 X4



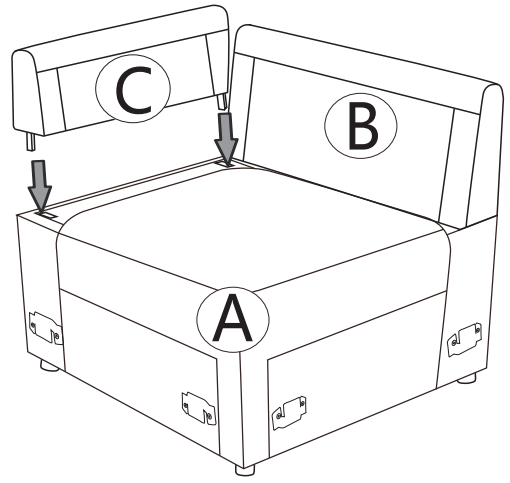
Step 1



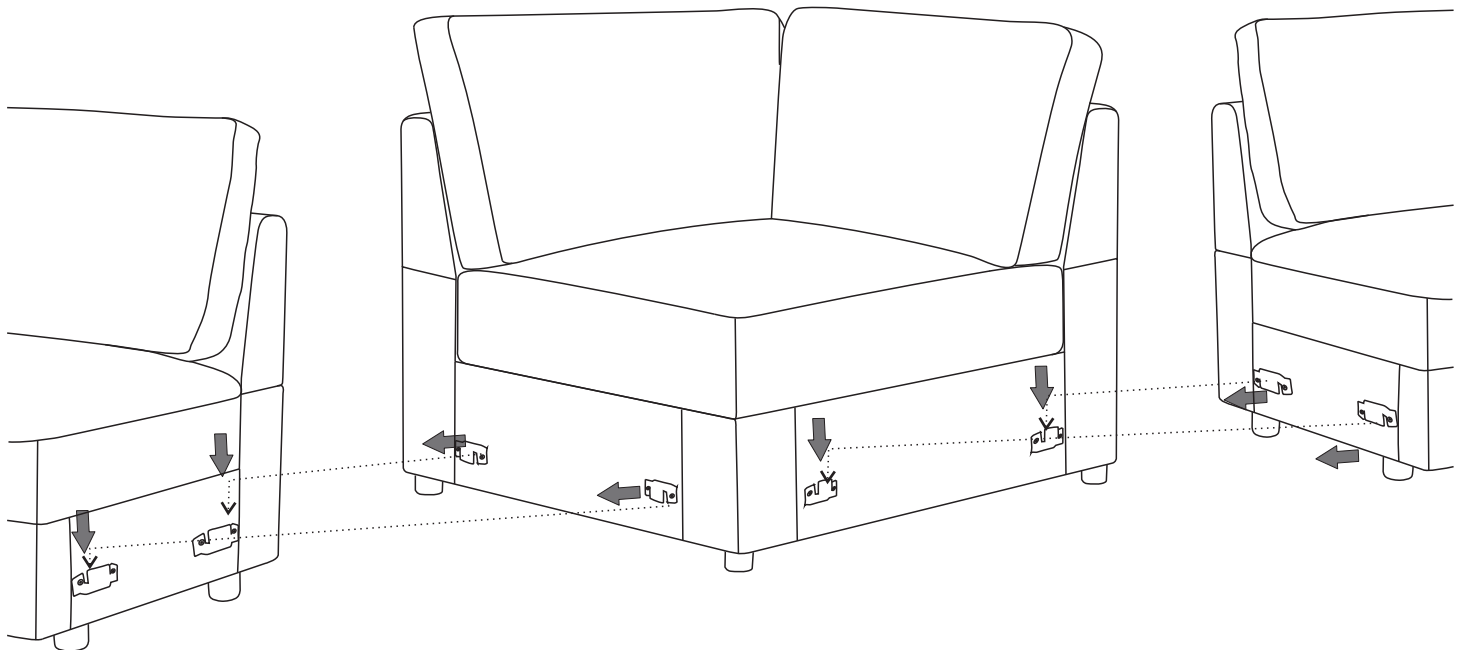
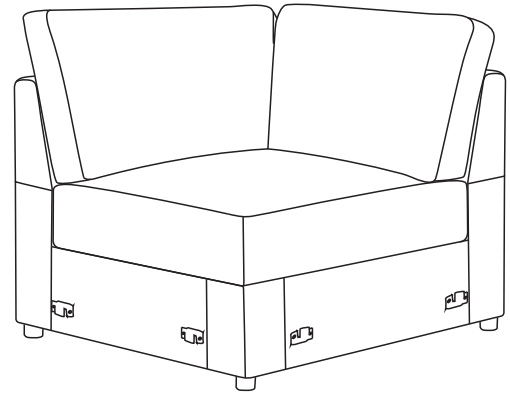
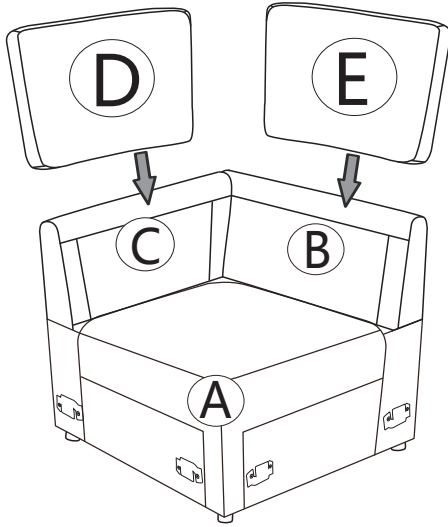
Step2



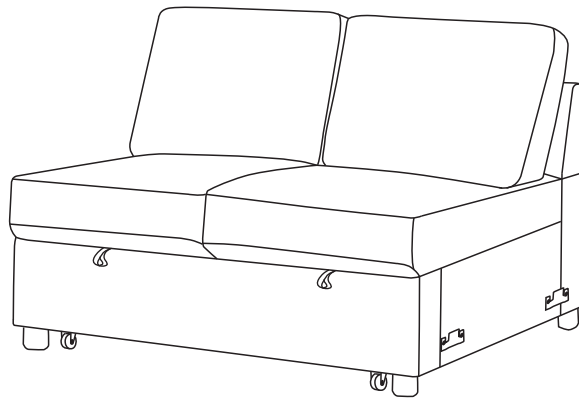
Step3



Step4



ASSEMBLY INSTRUCTION



PARTS LIST

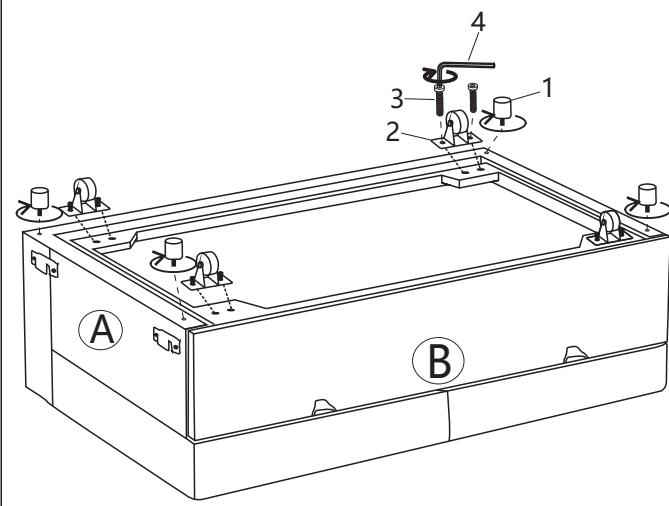
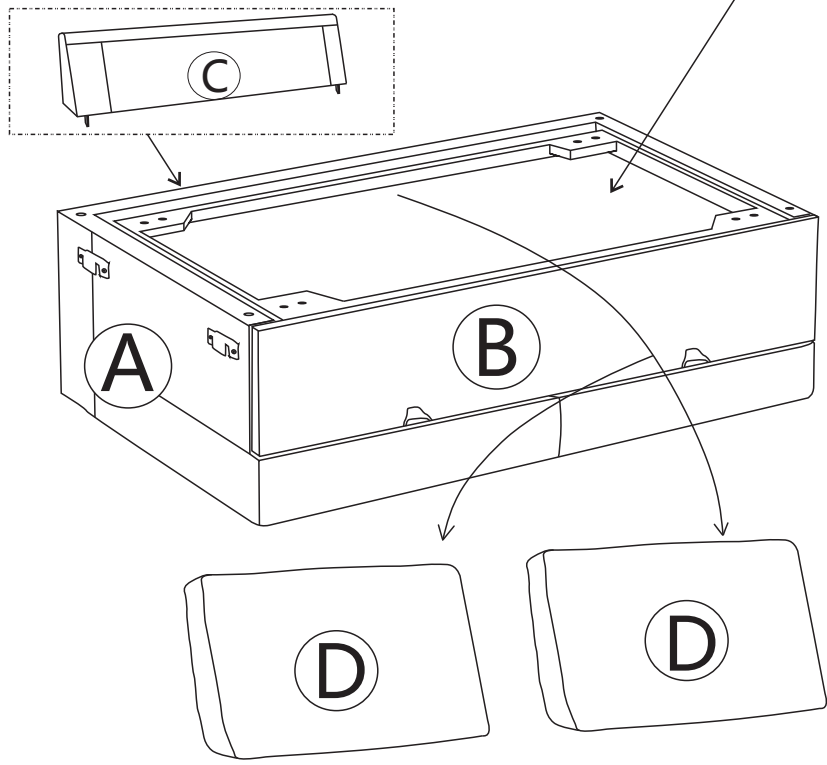
A	B	C	D
X1	X1	X1	X2

HARDWARE LIST

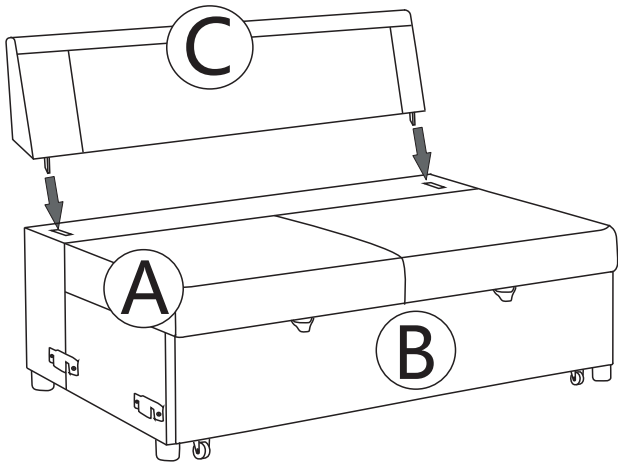
1	2	3	4
X4	X4	M6X25 X8	M4 X1

	X4		X8
	X4		X1

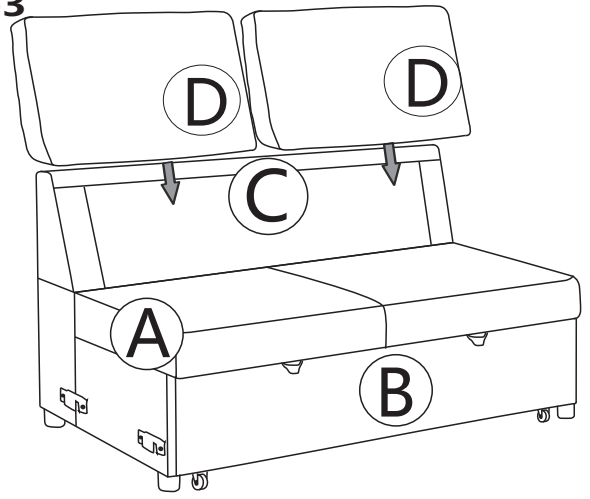
Step 1



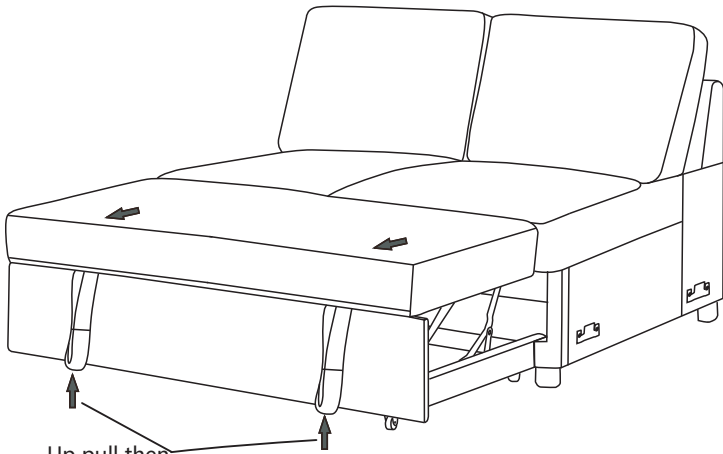
Step2



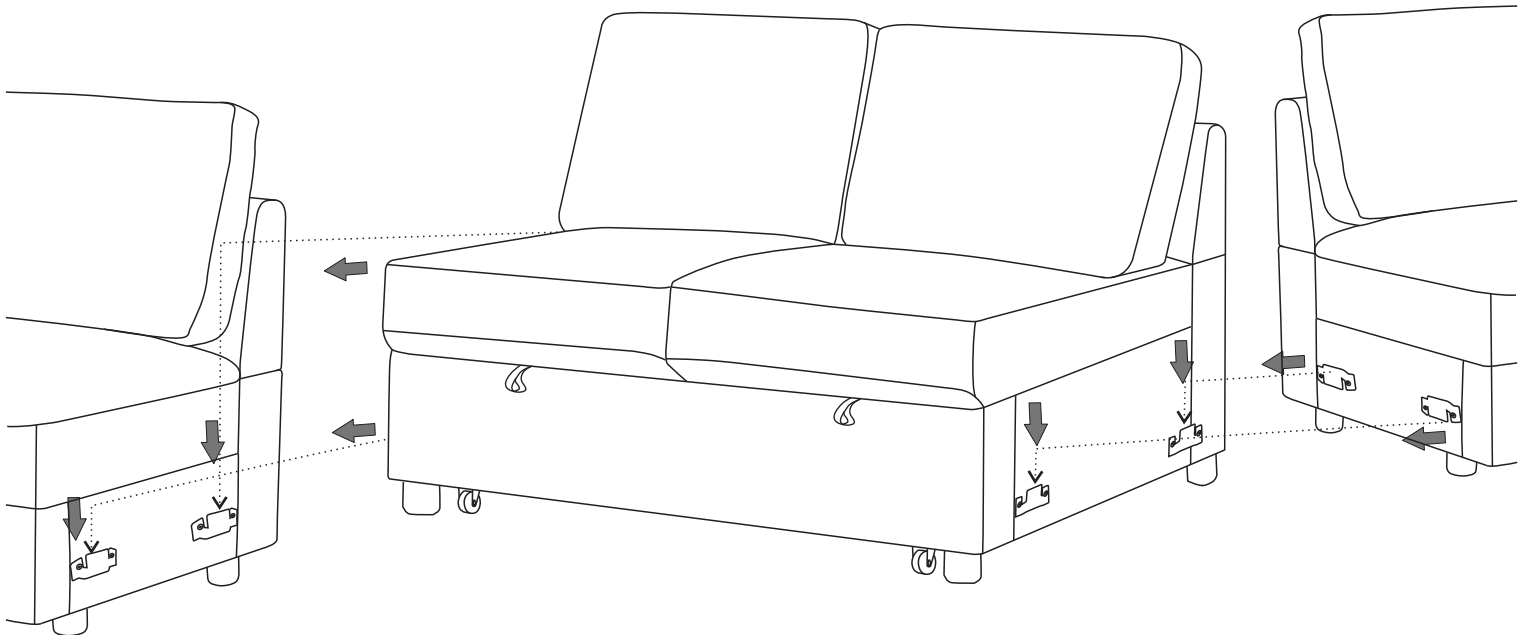
Step3



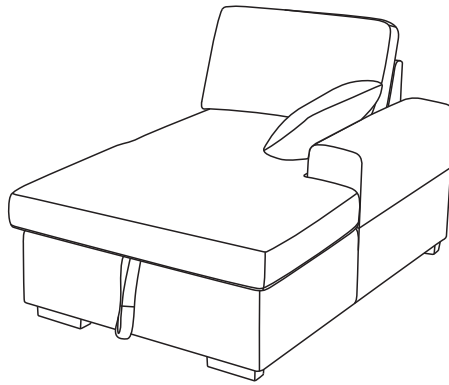
Step4



Up pull then
Forward pumping



ASSEMBLY INSTRUCTION

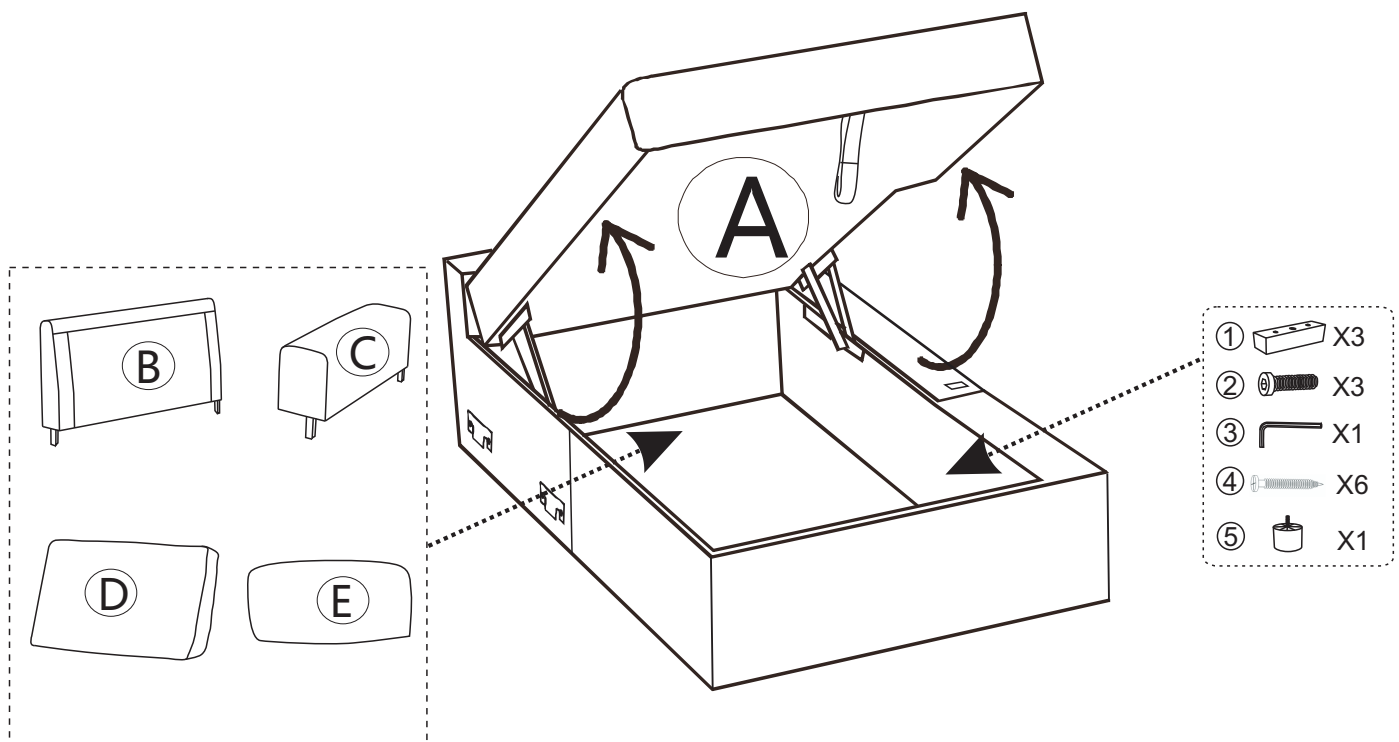


PARTS LIST

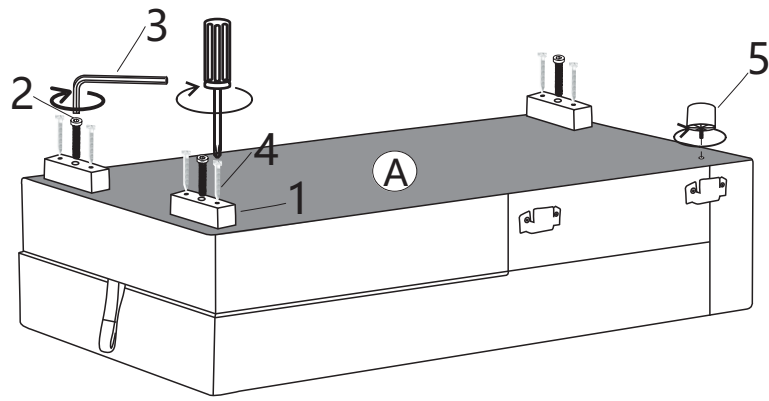
A	B	C	D	E	
X1	X1	X1	X1	X1	

HARDWARE LIST

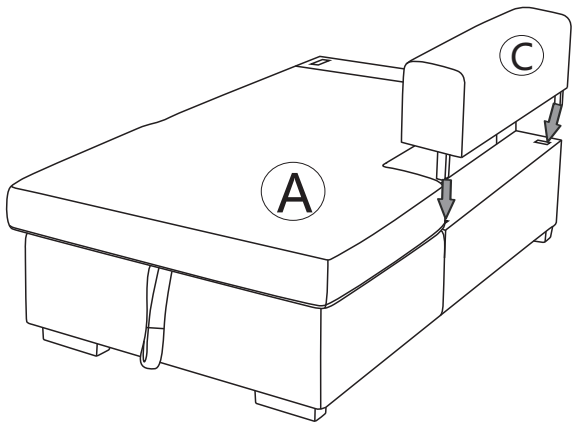
150x60x50mm	M8X60	M5	M5X50		
1	2	3	4	5	
X3	X3	X1	X6	X1	



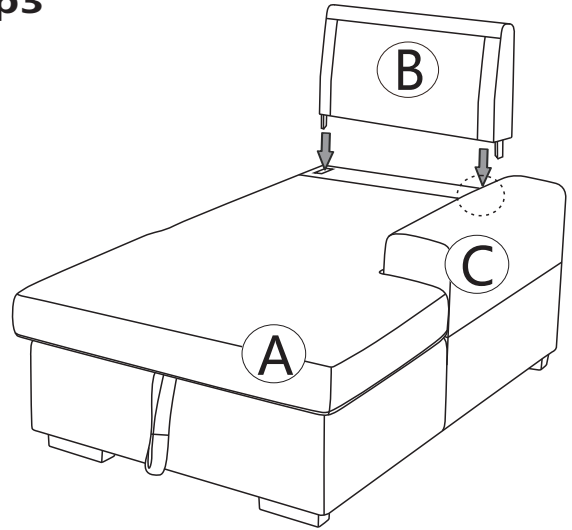
Step1



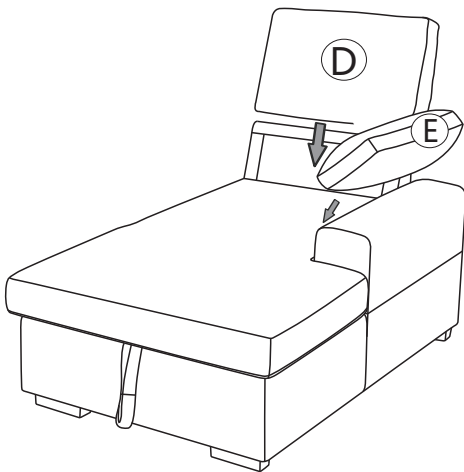
Step2



Step3



Step4



Step5

