

DEVI - B

CLOSET

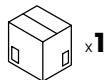
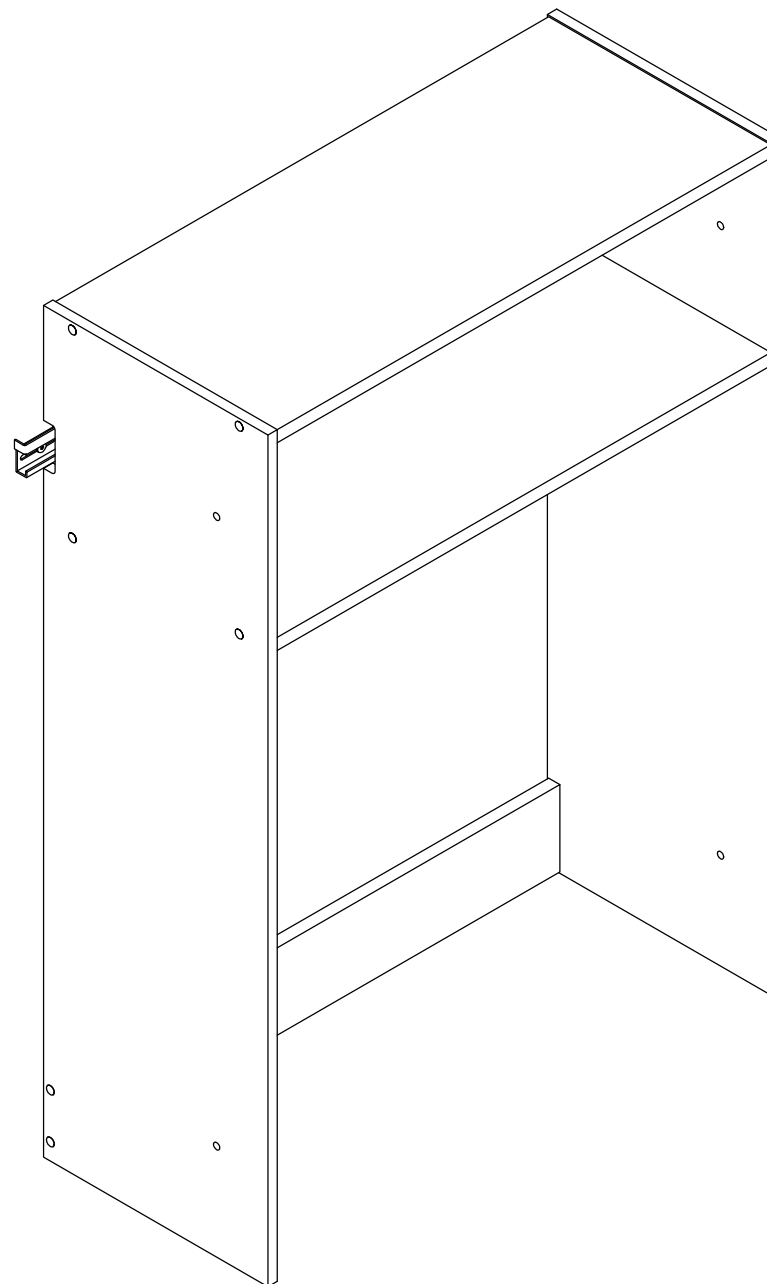
PLEASE READ

Thank you for purchasing this quality product.
A list of **PARTS** and **INSTRUCTIONS** are included to assist you.
Unpack and identify all parts included on the **PARTS LIST** and **HARDWARE LIST**.

Please retain all packaging until you are sure no parts and hardware are missing, then once you are satisfied with the product please dispose of all packaging responsibly.

If you require any additional information or help on assembly, please contact us at sales@garagetechusa.com

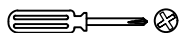
To expedite service, please indicate the model number and part number (letter code) of the part(s) needed.



60 minutes
2 Persons Assembly

Additional tools required:

Cross point screwdriver



IMPORTANT! READ CAREFULLY AND RETAIN FOR FUTURE REFERENCE

Due to small parts keep children clear during assembly.

Ensure all fittings are fully tightened before use and checked regularly and re-tightened as necessary.

When positioning your furniture ensure the ground is firm, level and dry.

Do not position your furniture in direct sunlight or close to a source of heat.

Take care when handling or moving furniture, always lift with assistance to avoid damaging your product.

WARNING!

Serious or fatal crushing injuries can occur from furniture tipping over.

To help prevent this please observe the following:

Do not let children climb or hang on the drawers, doors or shelves.

Place heaviest items in the lower drawers or shelves.

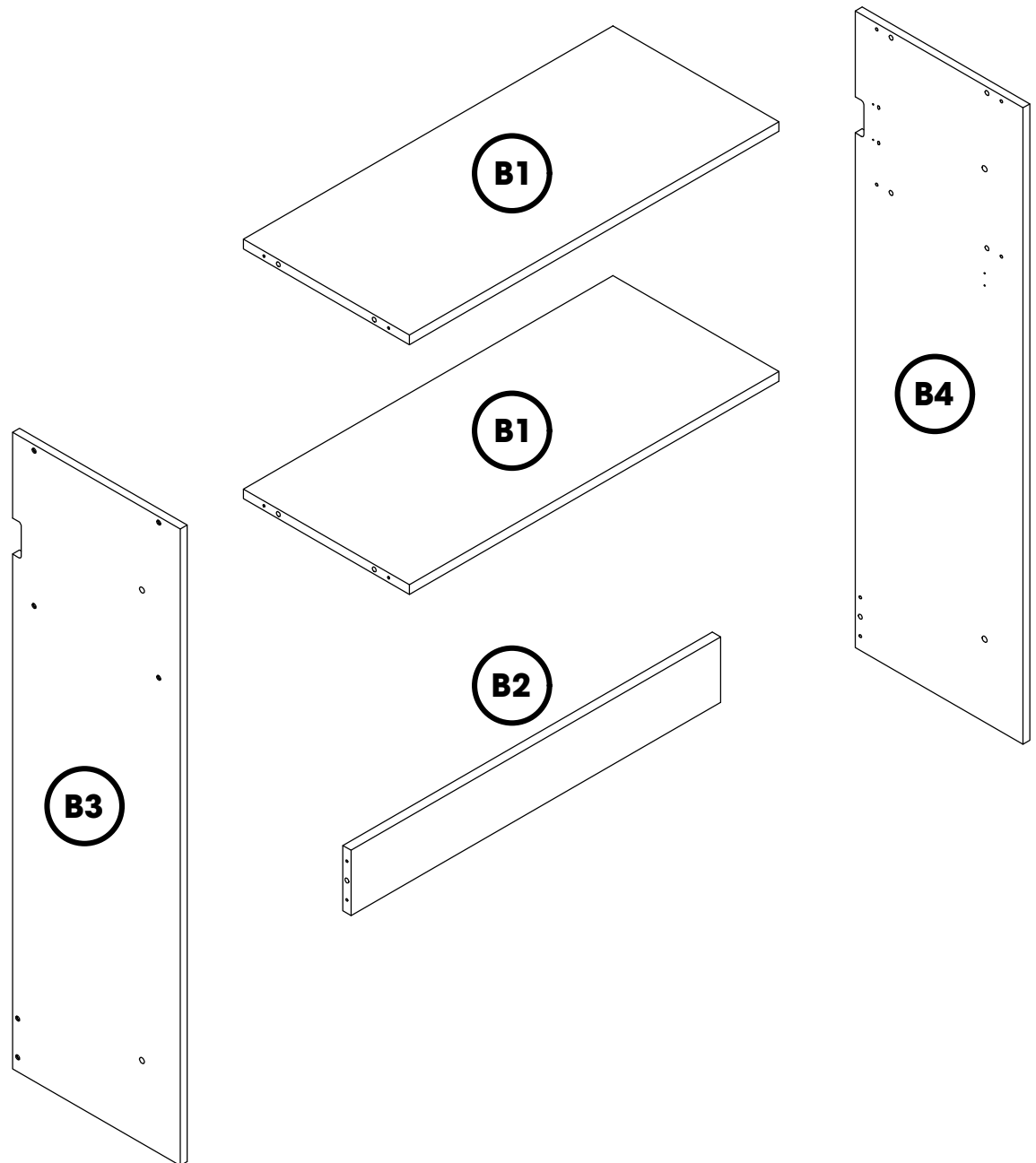
Do not place heavy objects on top of this product unless it has been specifically designed to support them.

Never open more than one drawer at a time.

If you require any additional information or help on assembly, please contact us at sales@garagetechusa.com

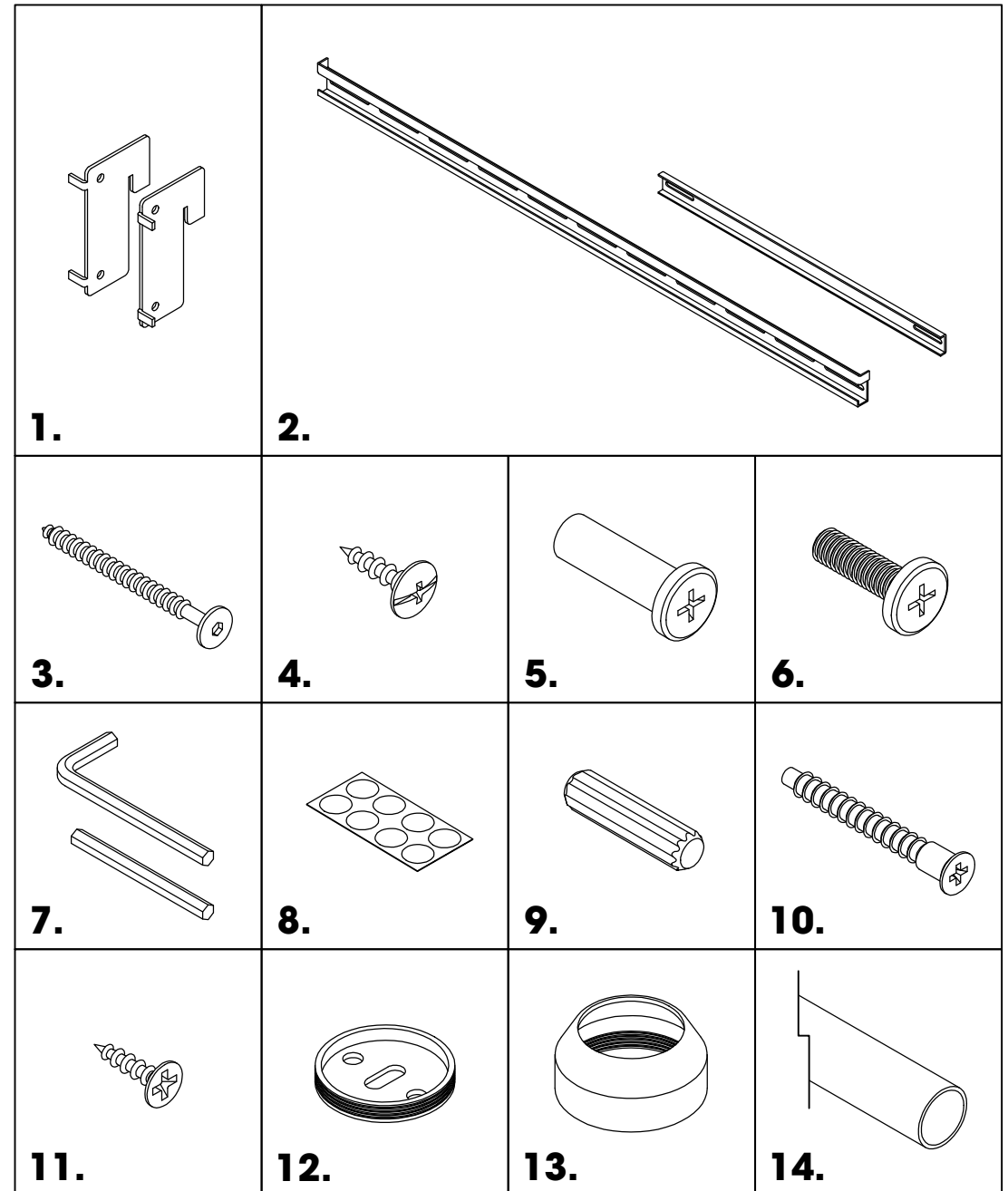
PARTS LIST

- B1.** Fixed shelf 2pcs
- B2.** Back stretcher 1pc
- B3.** Left side 1pc
- B4.** Right side 1pc

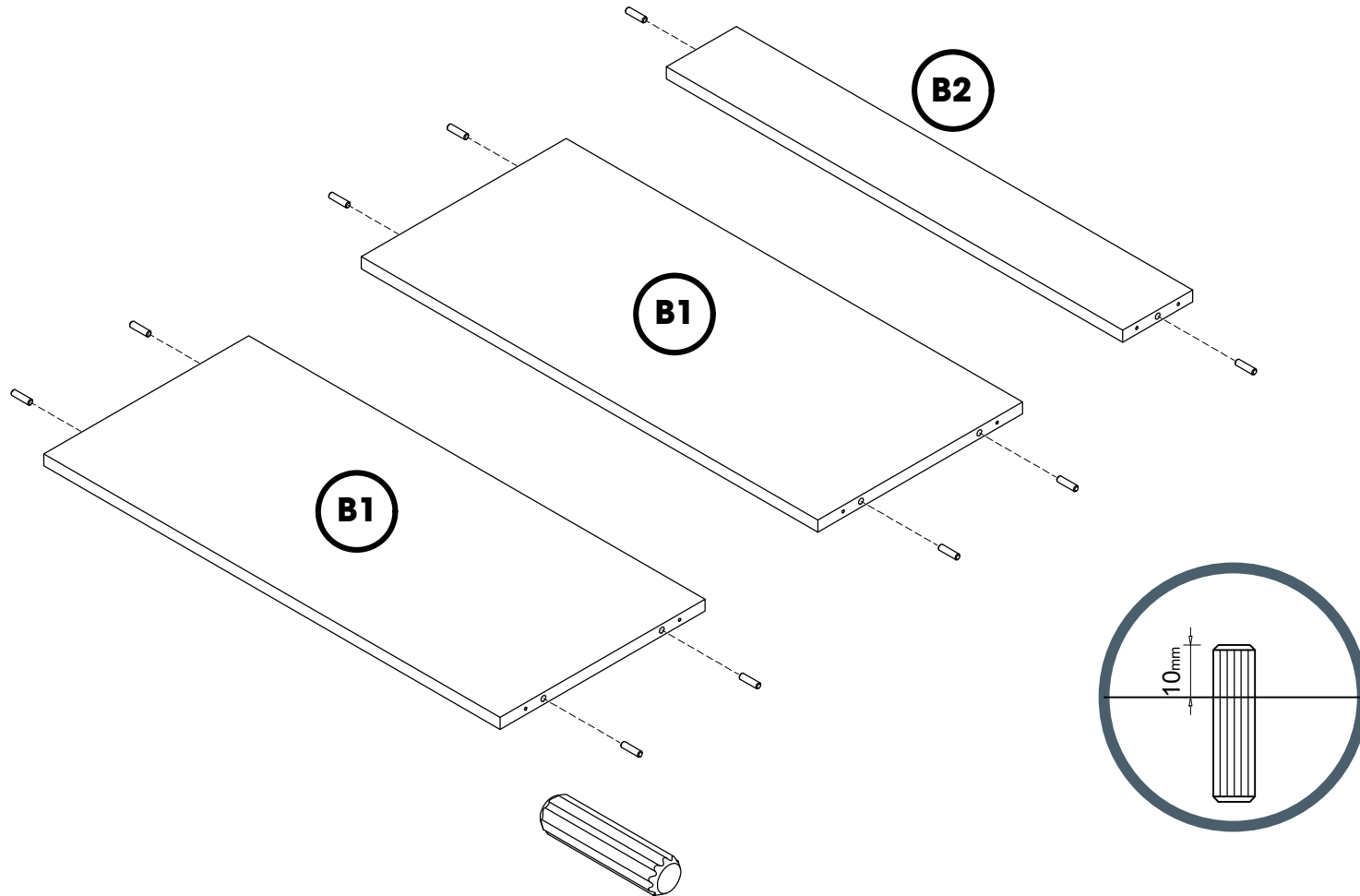


HARDWARE LIST

1. Hook 1set
2. Wall Bracket 1set
3. Wooden screw M6 x 70 4pcs
4. Pan head screw M4 x 15 4pcs
5. Sleeve nut M6 x 25 2pcs
6. Bolt M6 x 20 2pcs
7. Allen key 1set
8. Screw hole cover sticker 12pcs
9. Wood dowel 8 x 30 10pcs
10. Confirmat screw M5 x 40 12pcs
11. Flat head screw M3.5 x 15 4pcs
12. Hanger holder A 2pcs
13. Hanger holder B 2pcs
14. Hanger 1pc

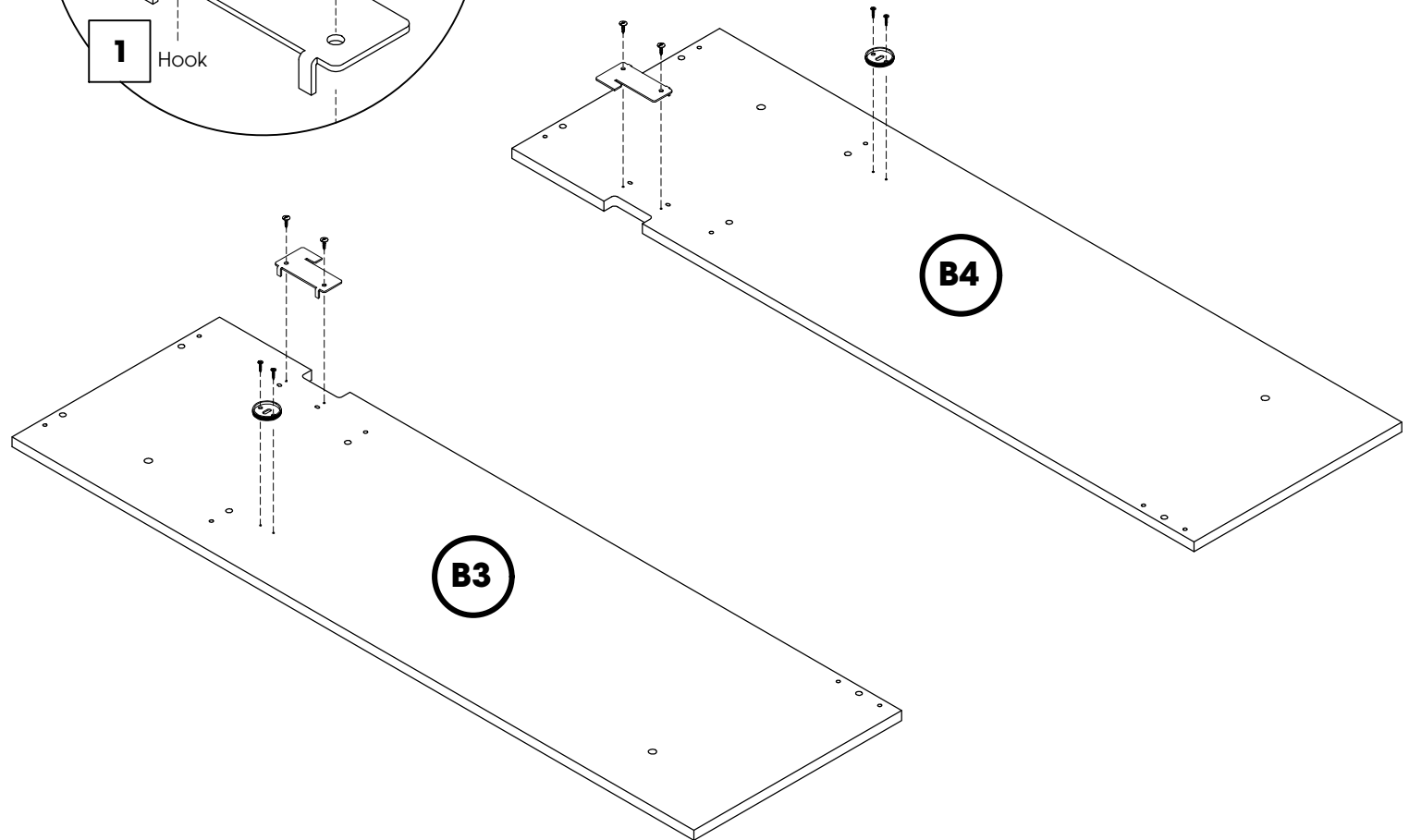
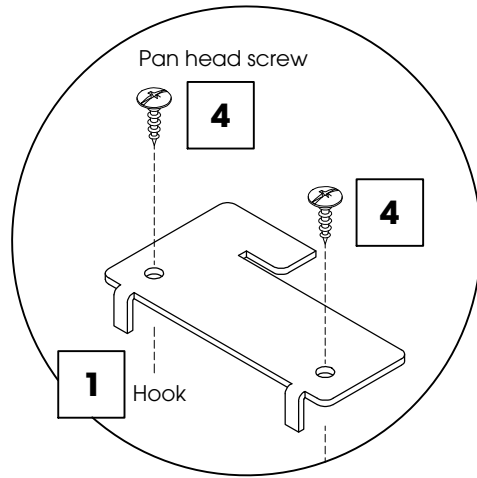
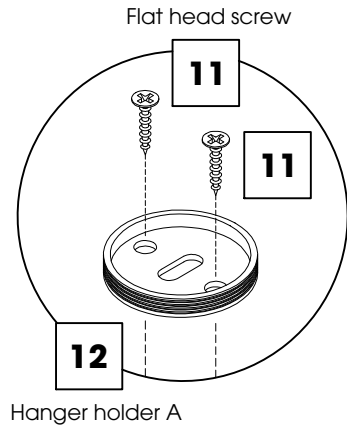


STEP 1

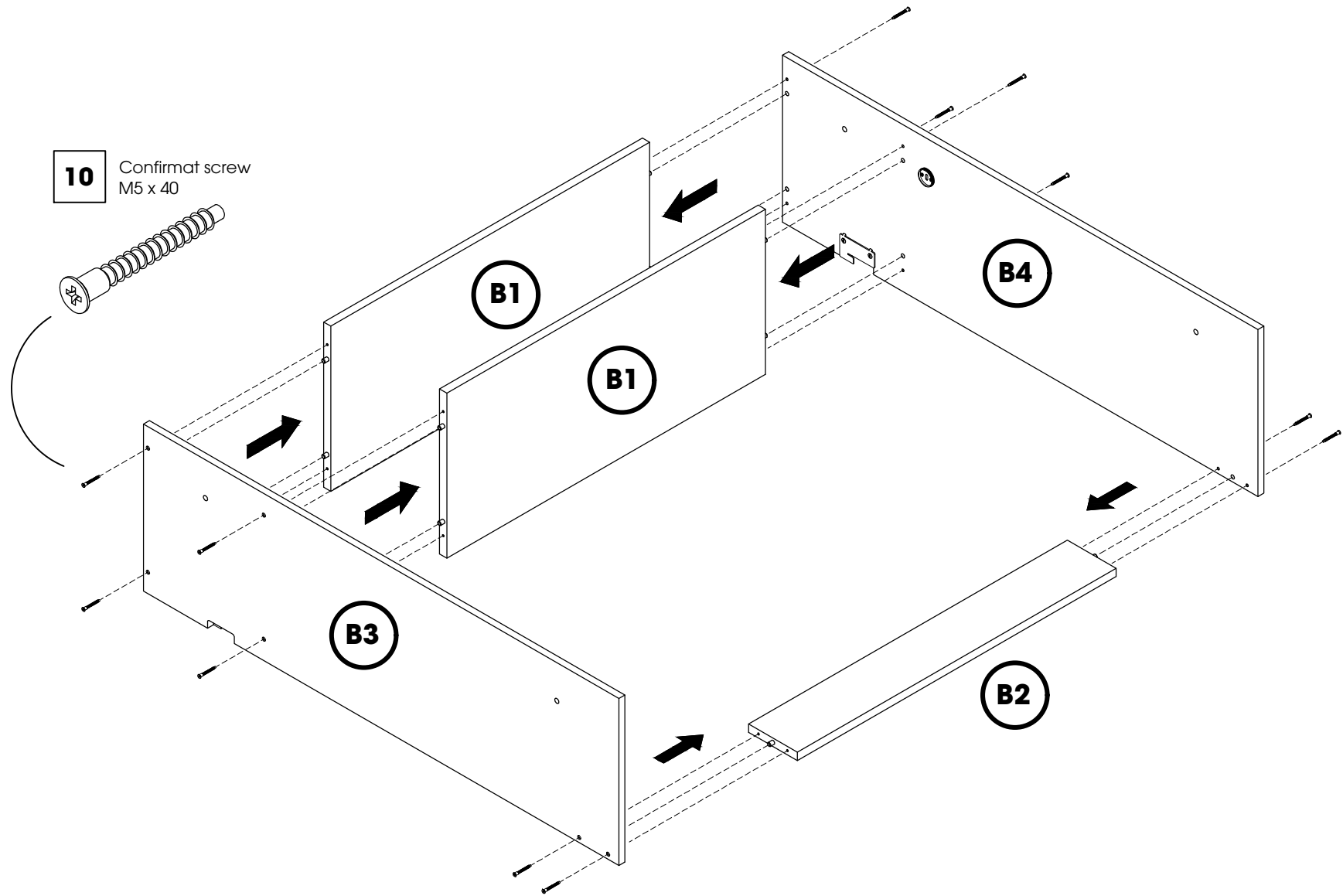


9 Wood dowel
8 x 30

STEP 2

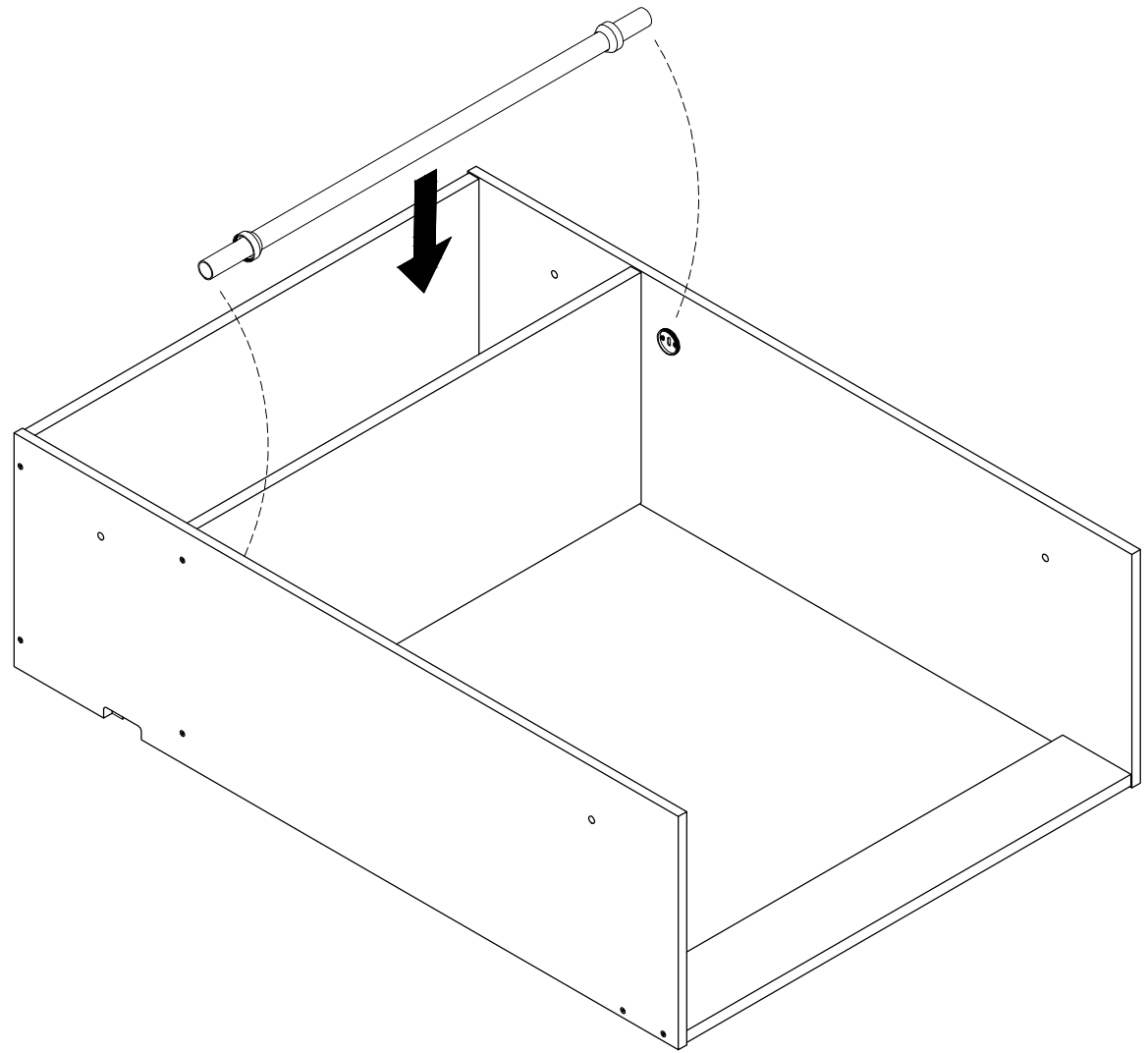
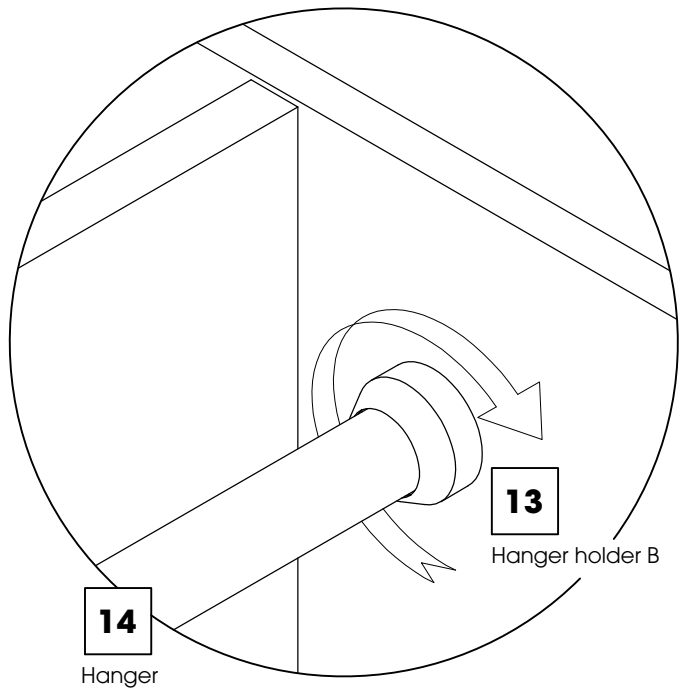


STEP 3

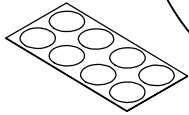
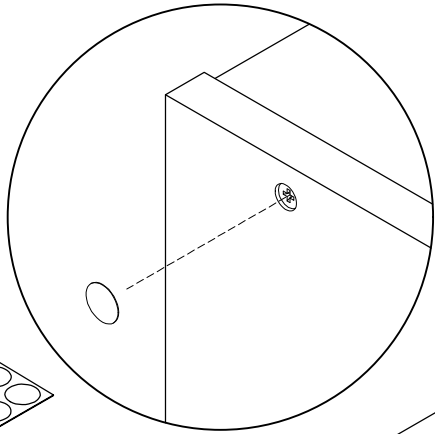


10 Confirmat screw
M5 x 40

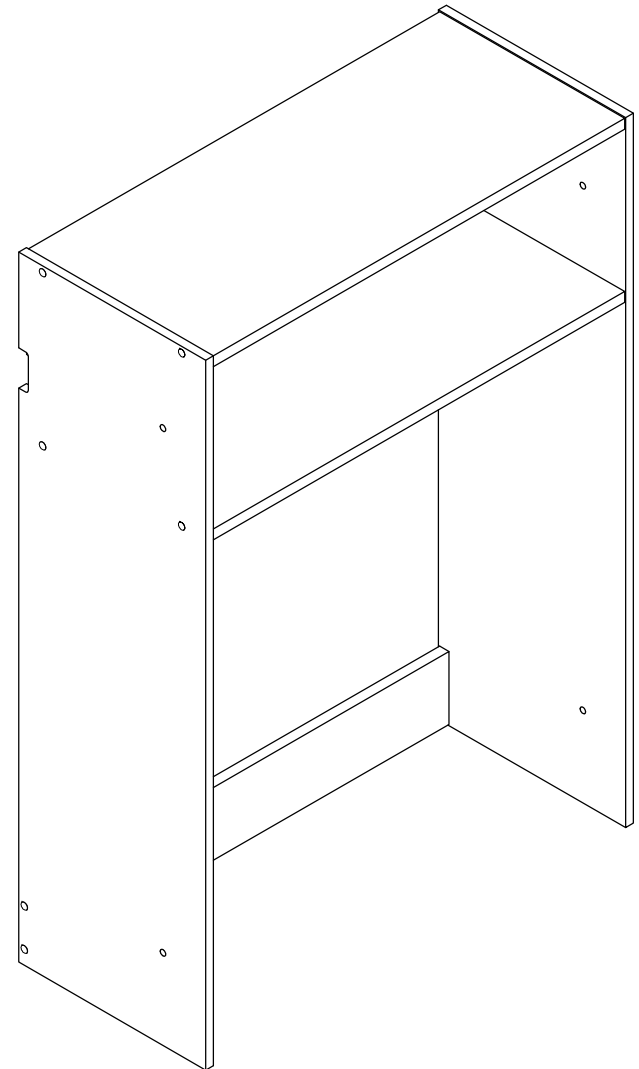
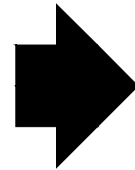
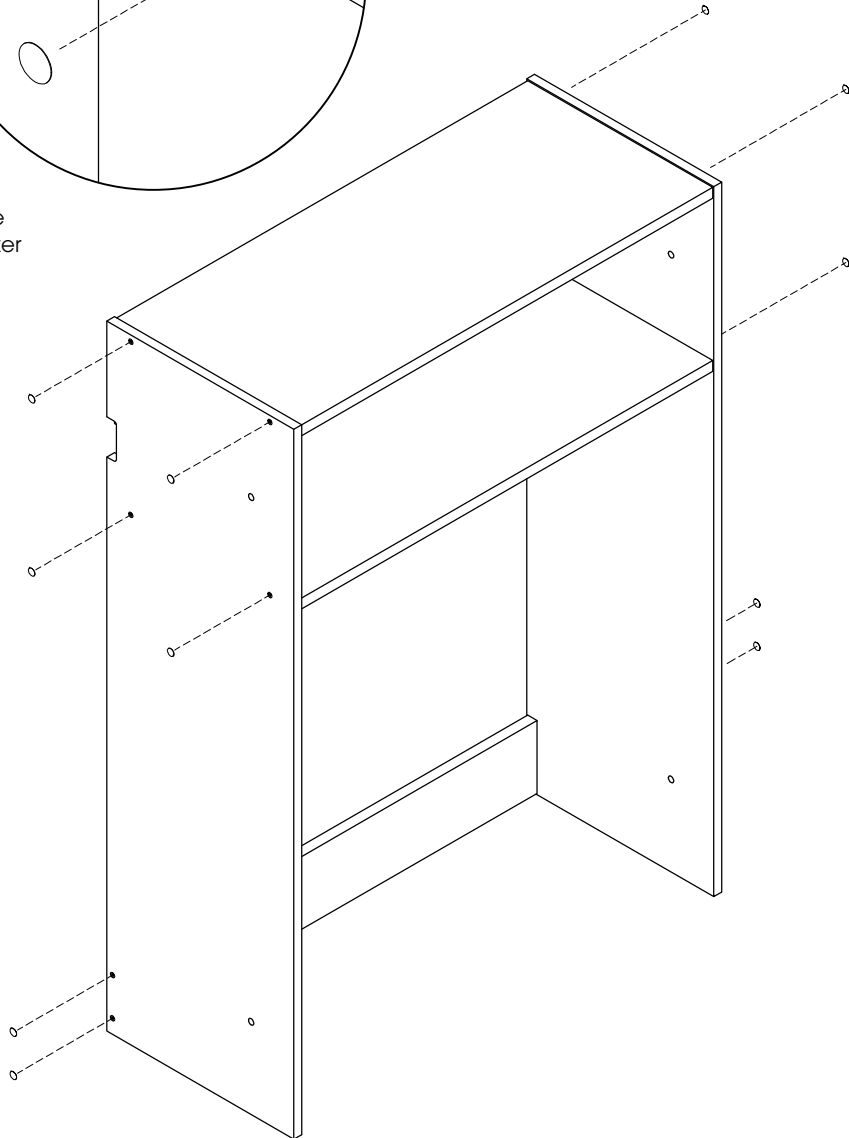
STEP 4



COMPLETE



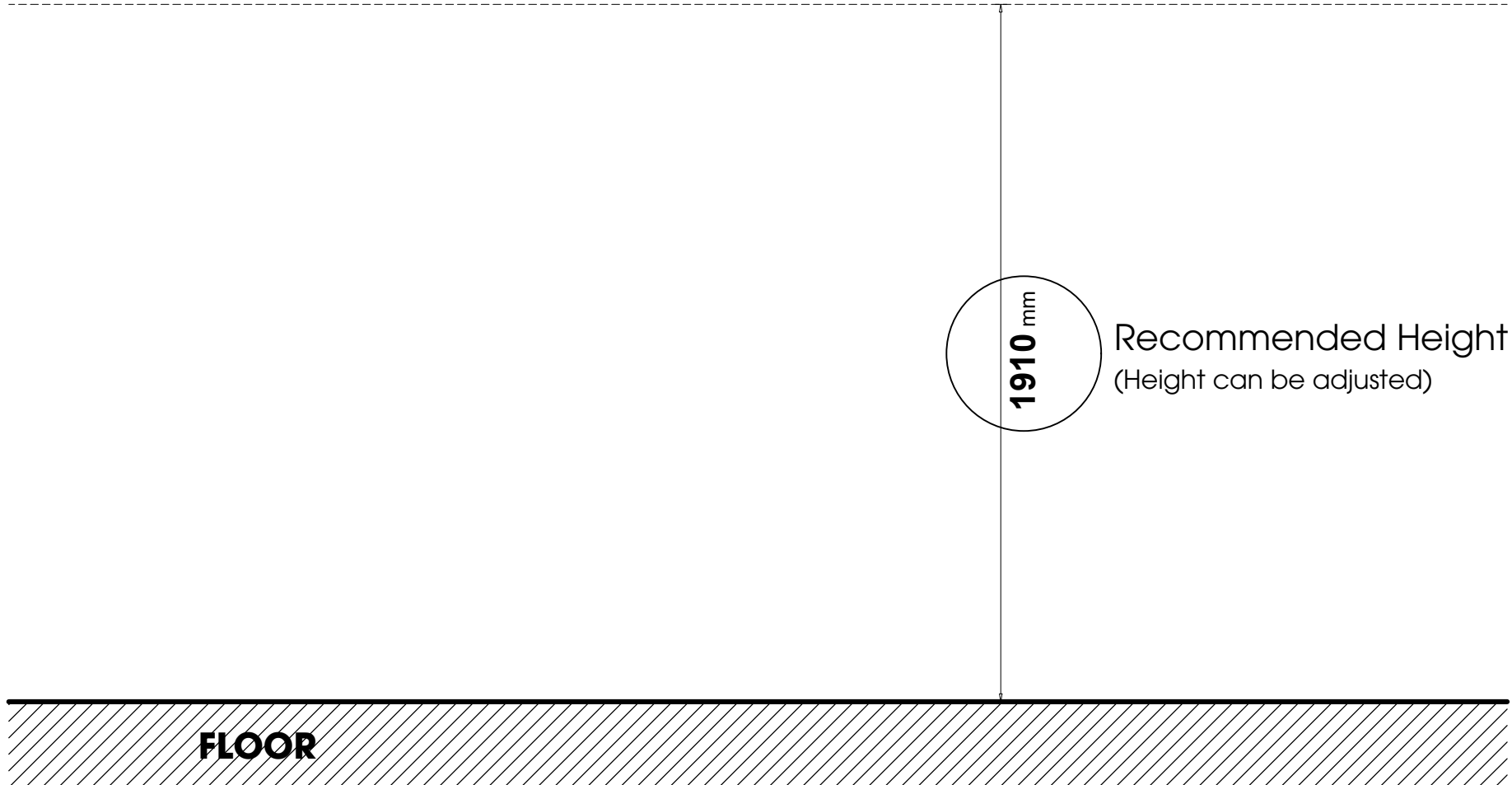
8 Screw hole
cover sticker



WALL BRACKET INSTALLATION

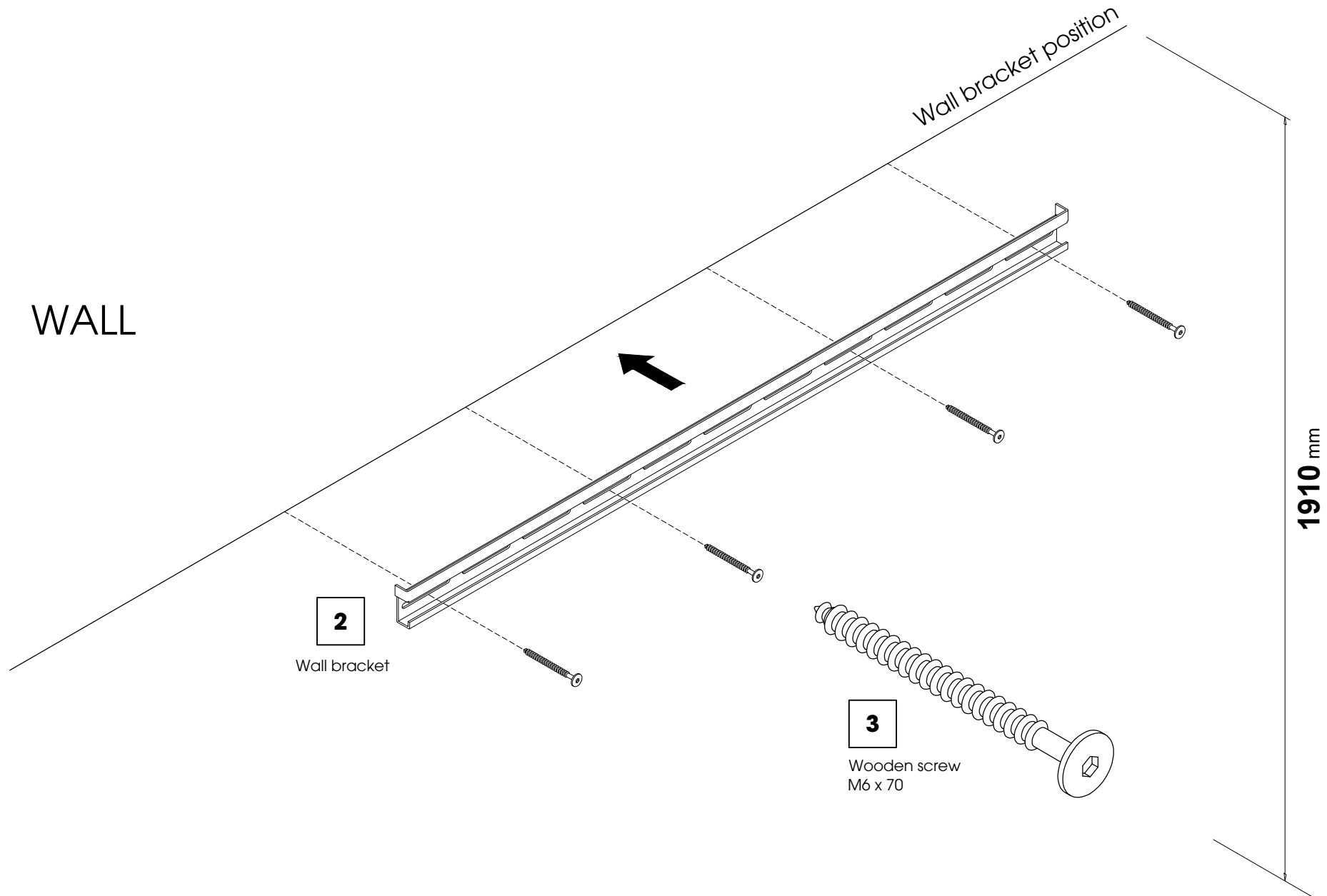
WALL

Wall bracket position

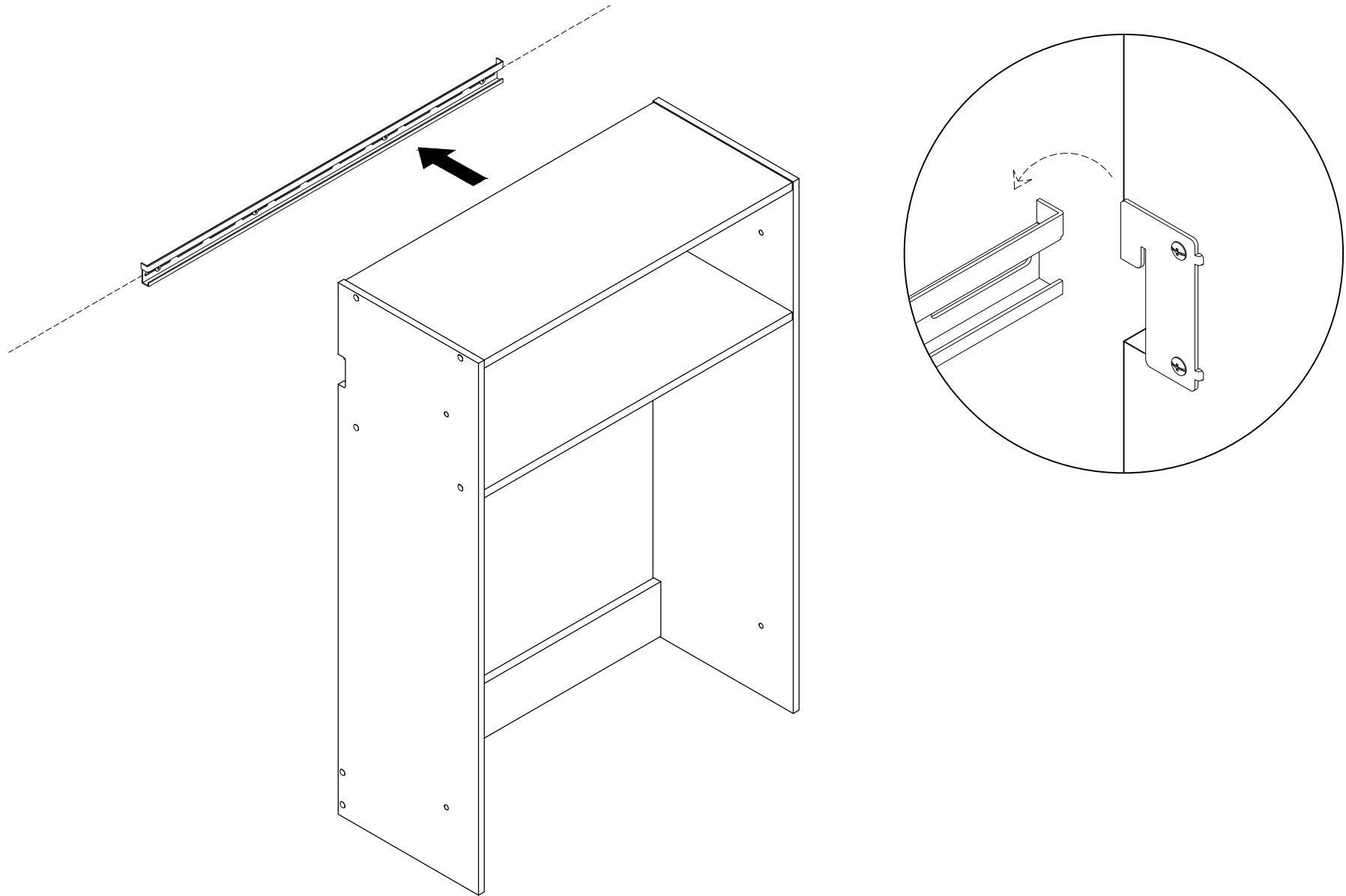


FLOOR

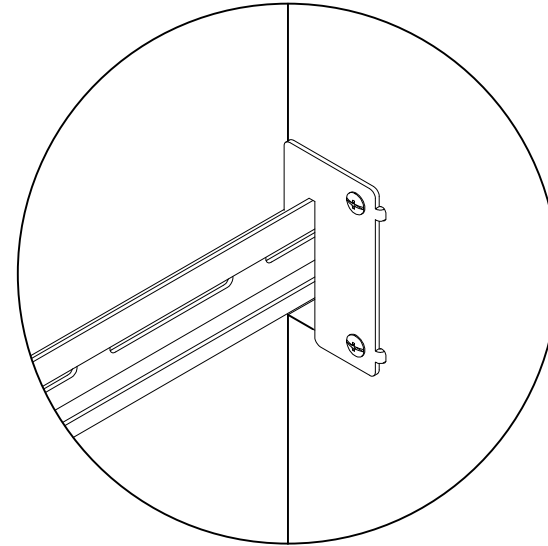
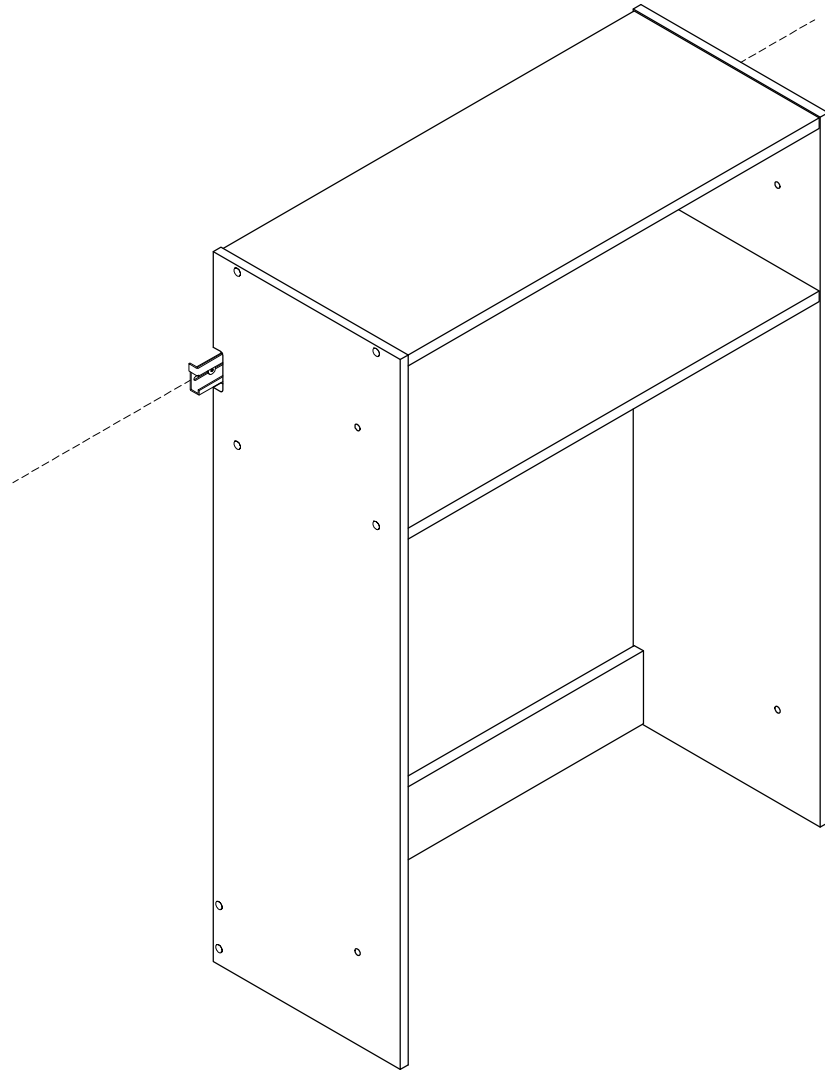
WALL BRACKET INSTALLATION



WALL BRACKET INSTALLATION

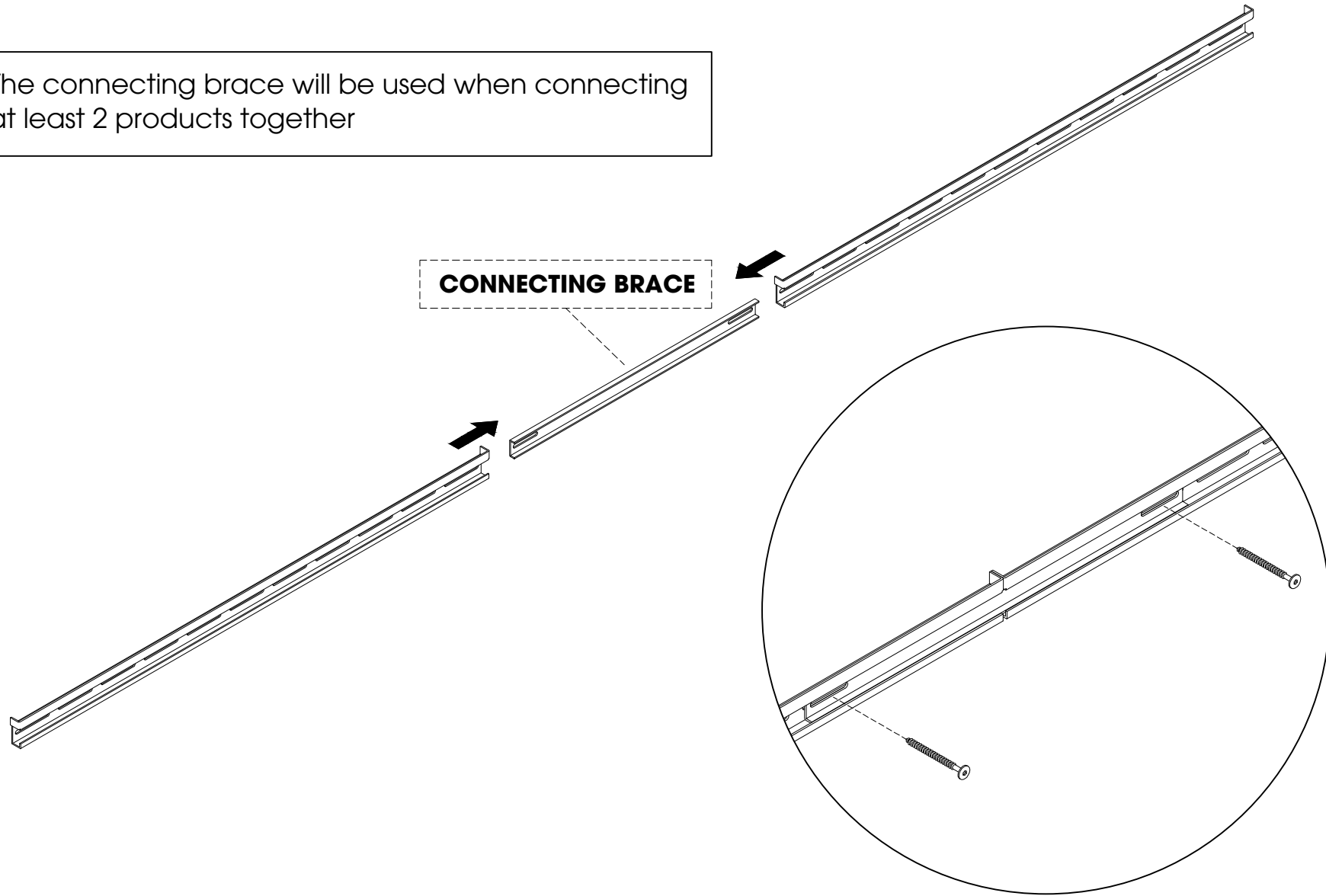


WALL BRACKET INSTALLATION



WALL BRACKET INSTALLATION

The connecting brace will be used when connecting at least 2 products together



CONNECTING

