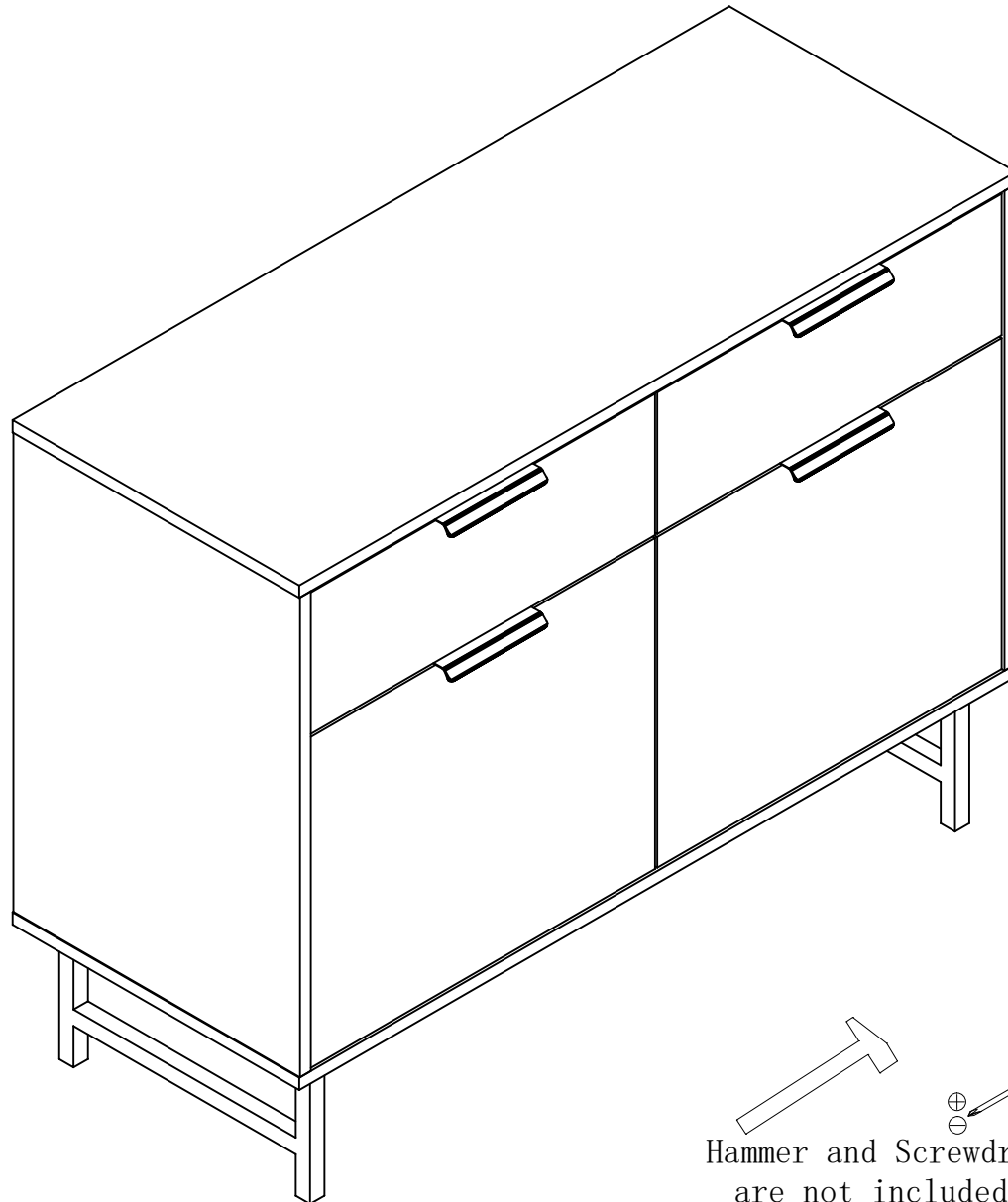
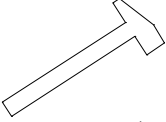
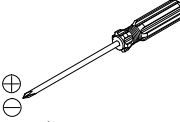
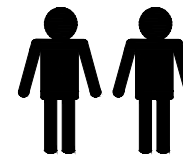
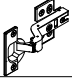

















Assembly Instruction

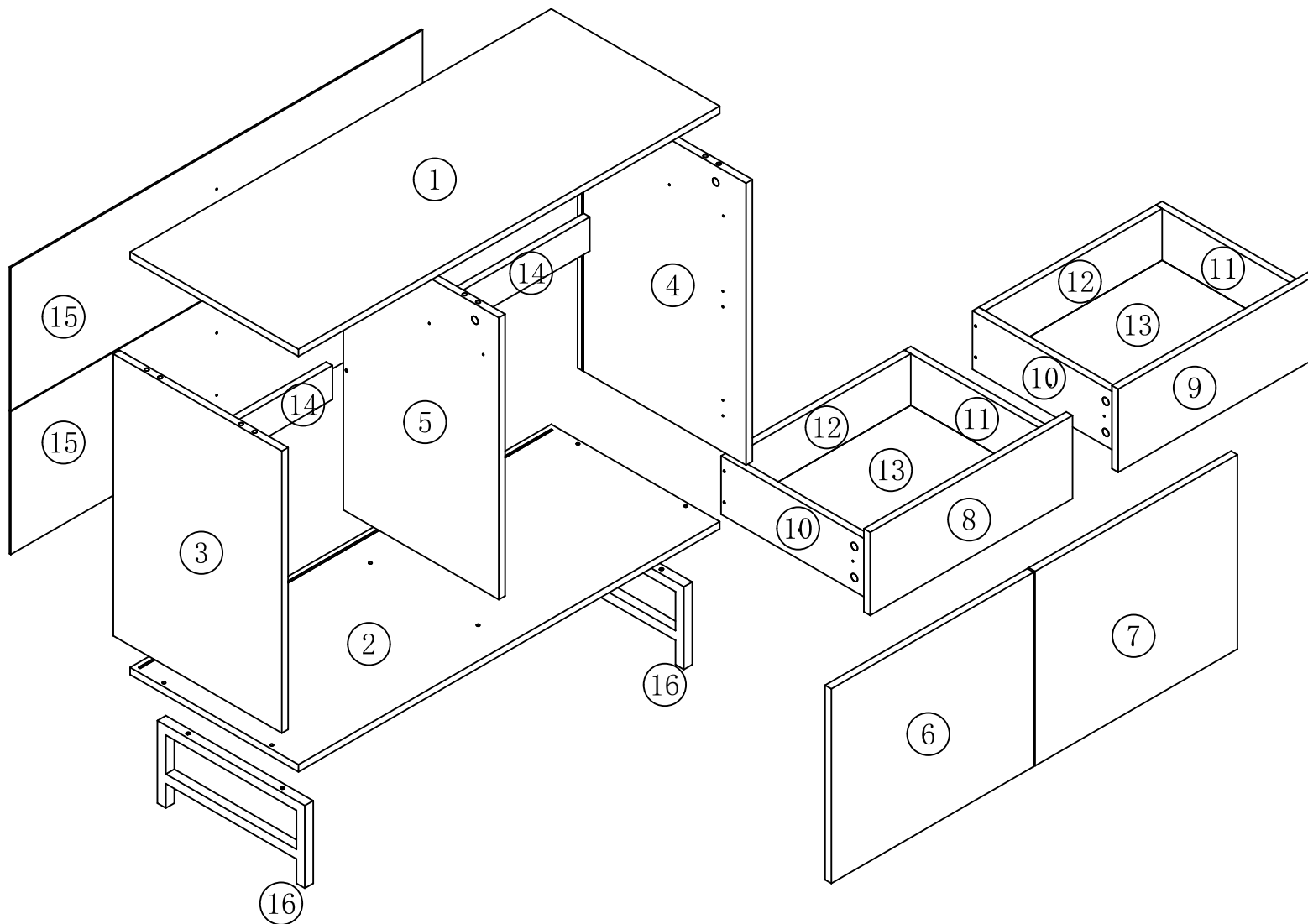




 Hammer and Screwdriver
 are not included !!



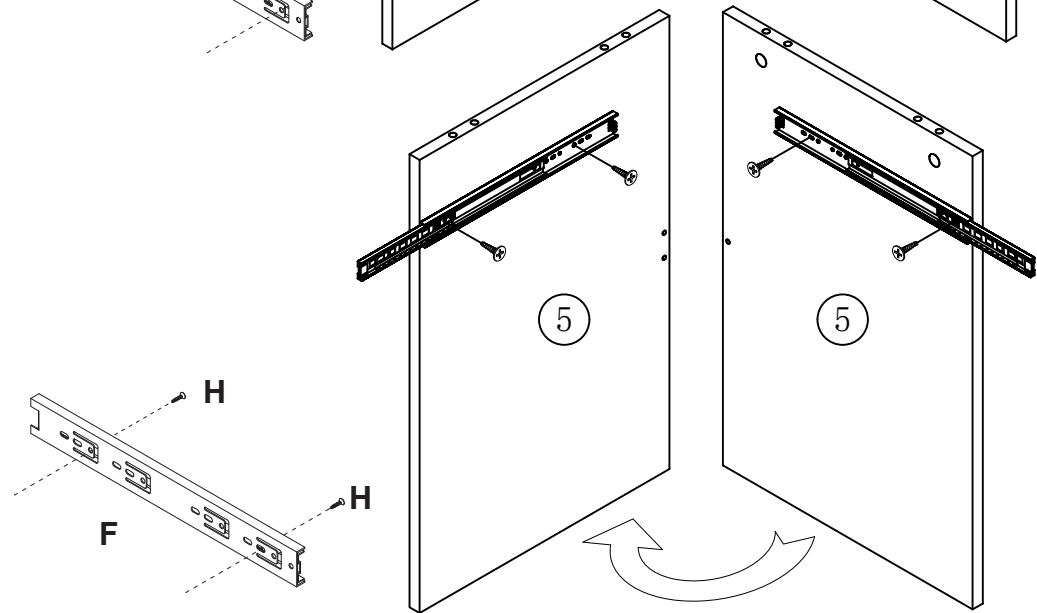
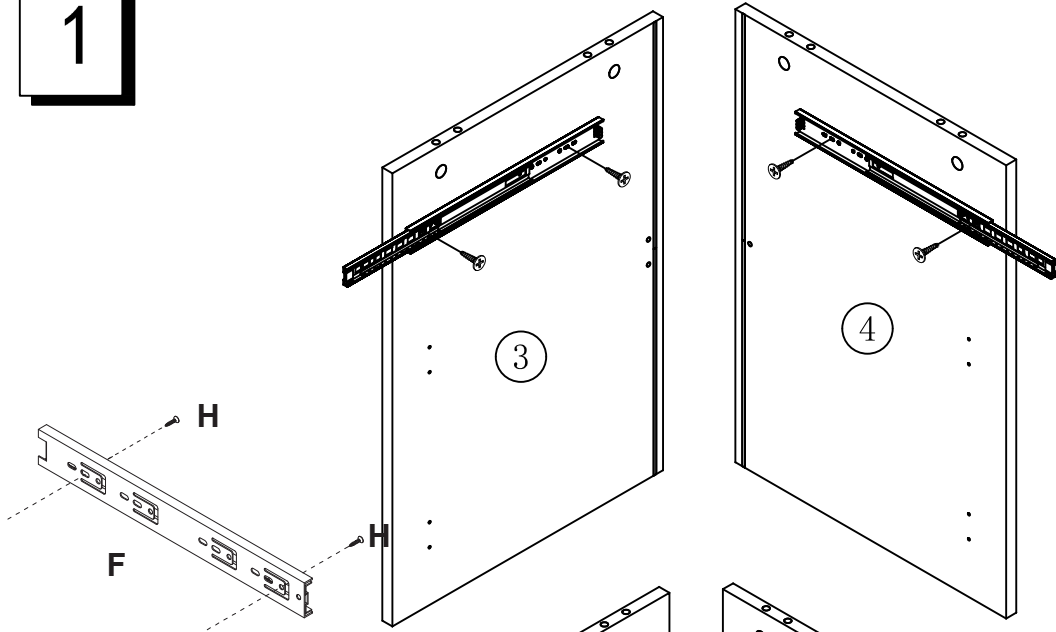
NO.	QTY.	LINEDRAWING
(A)	4	
(B)	6	
(C)	20	
(D)	20	
(E)	6	 8x40
(F)	2	
(G)	8	 3.5x35
(H)	36	 3.5x14
(I)	16	 3.5x12
(J)	4	
(K)	16	
(L)	26	 $\phi 20$
(M)	4	 M6x30
(N)	2	
(O)	1	
(P)	1	

PARTS LIST



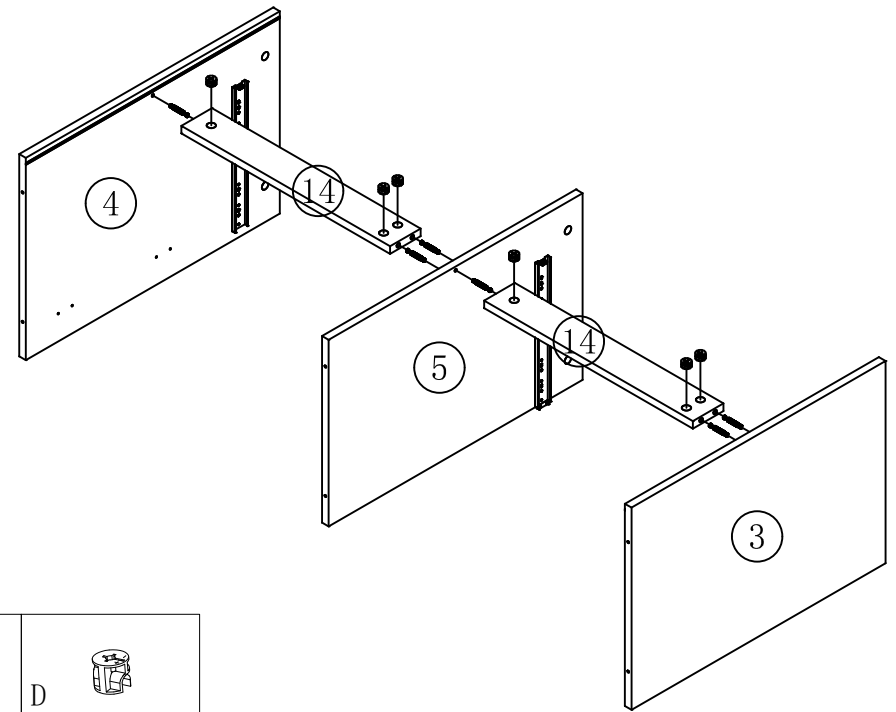
NO.	QTY.
①	1
②	1
③	1
④	1
⑤	1
⑥	1
⑦	1
⑧	1
⑨	1
⑩	2
⑪	2
⑫	2
⑬	2
⑭	2
⑮	2
⑯	2

1



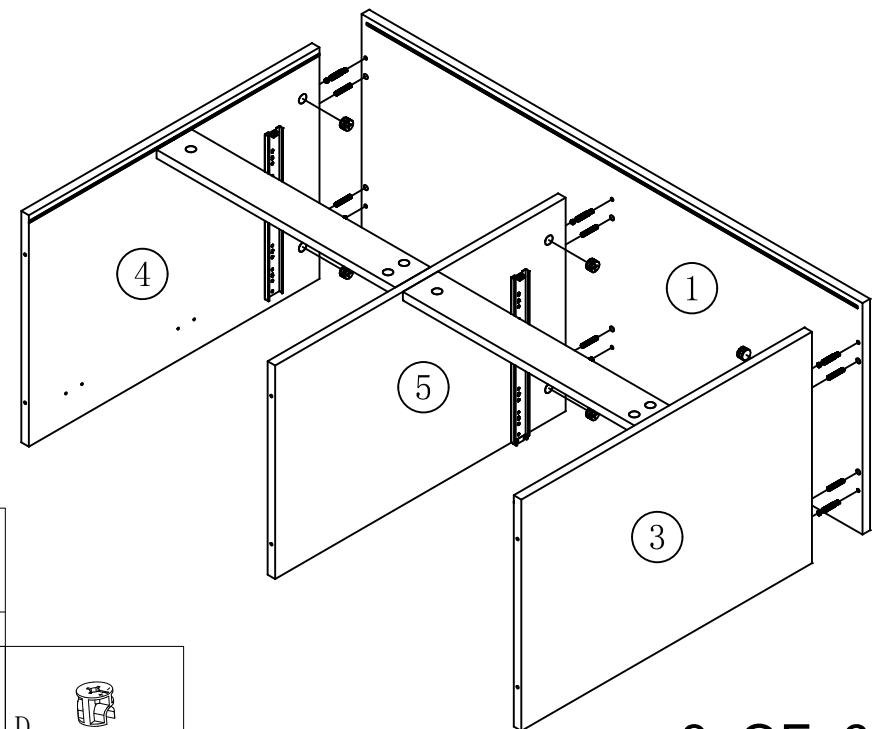
F		H	
	2x		8x

2



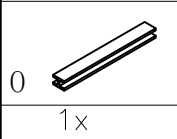
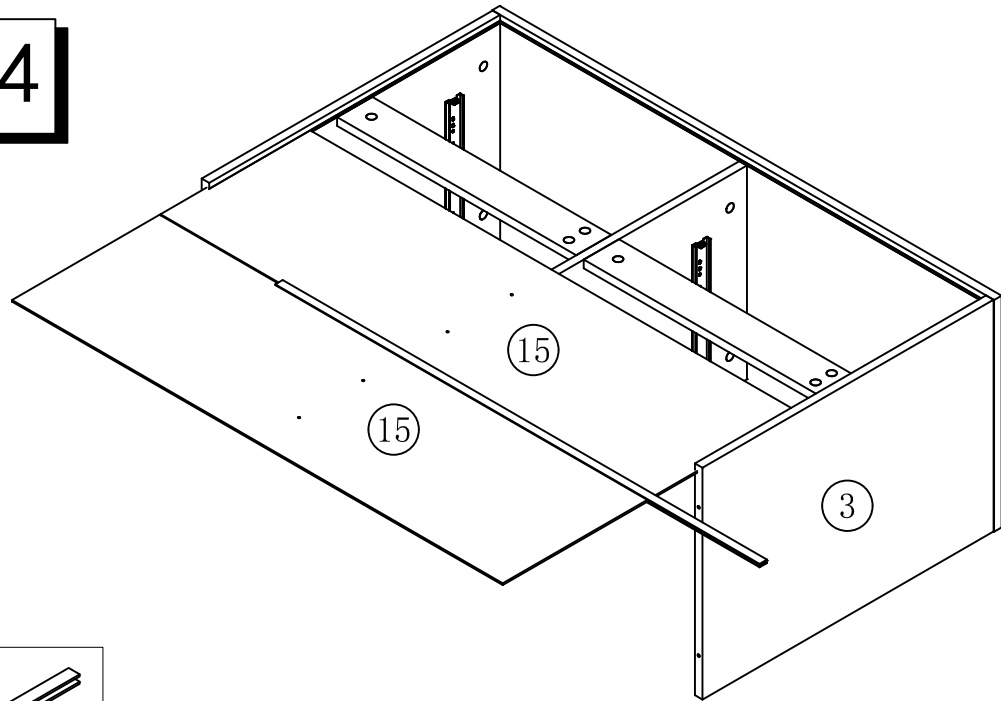
C		D	
	6x		6x

3

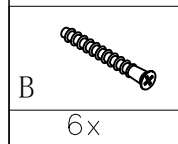
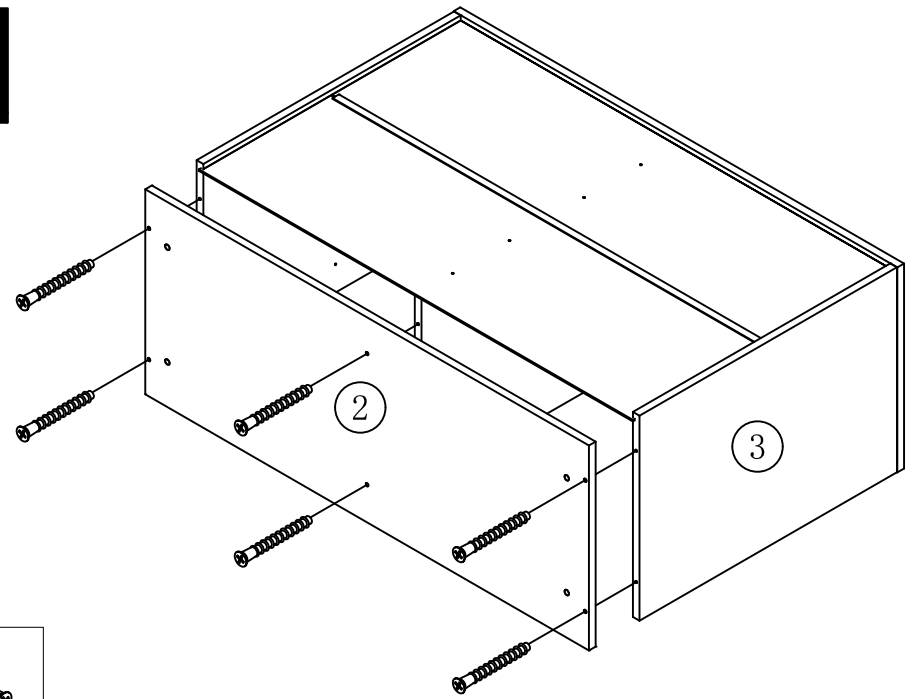


E		D	
	6x		6x
C		D	
	6x		6x

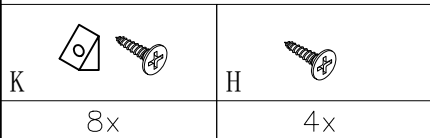
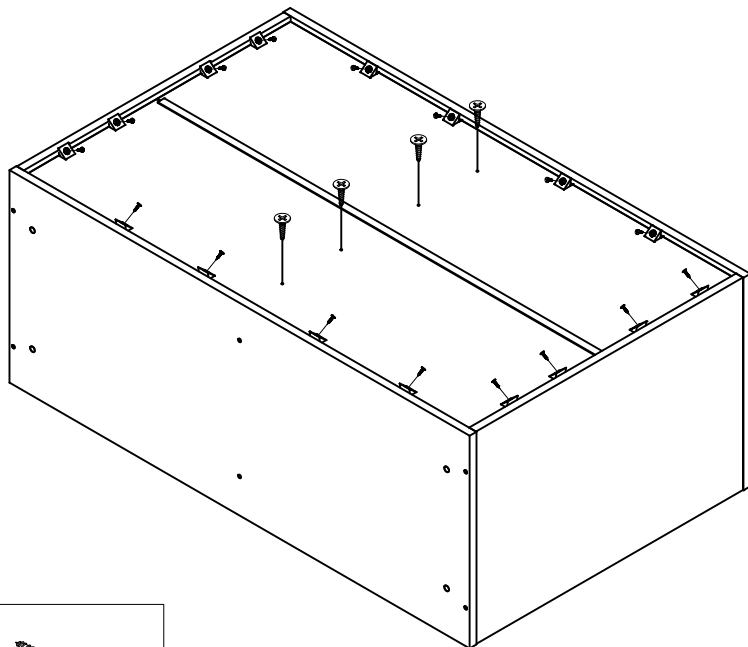
4



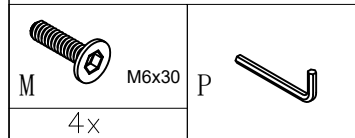
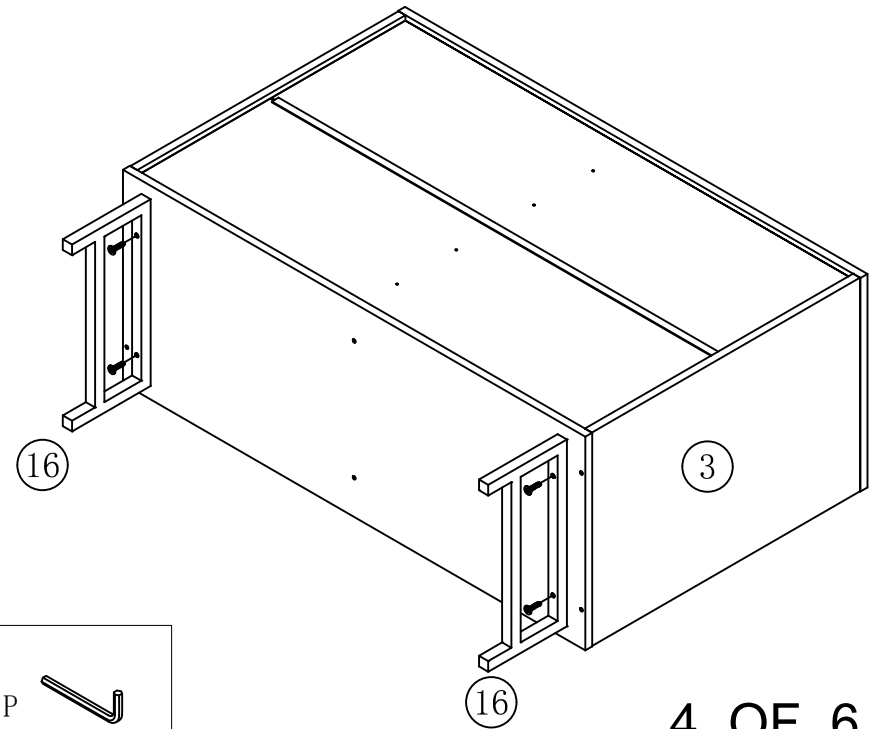
5



6

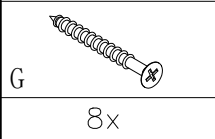
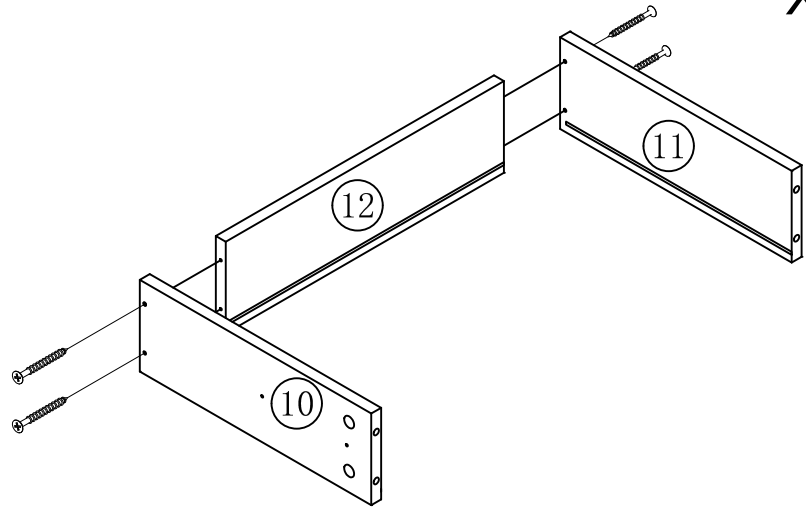


7



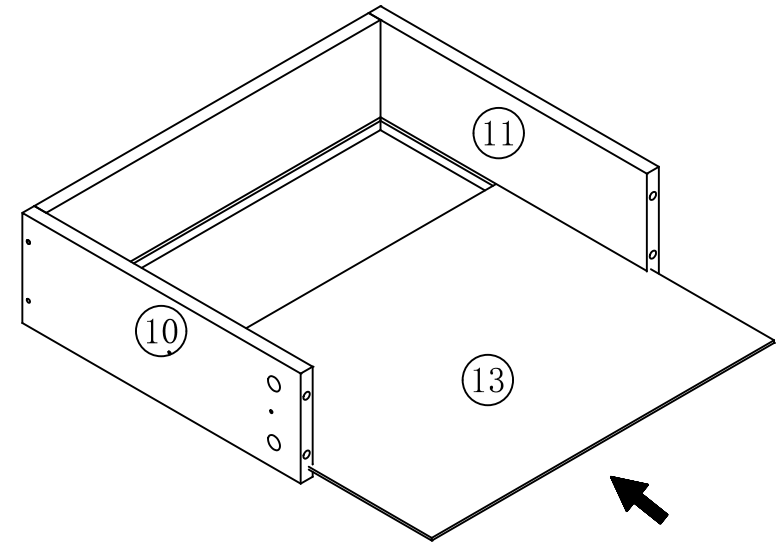
8

X2

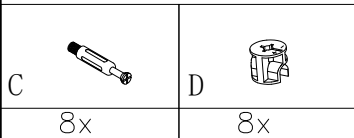
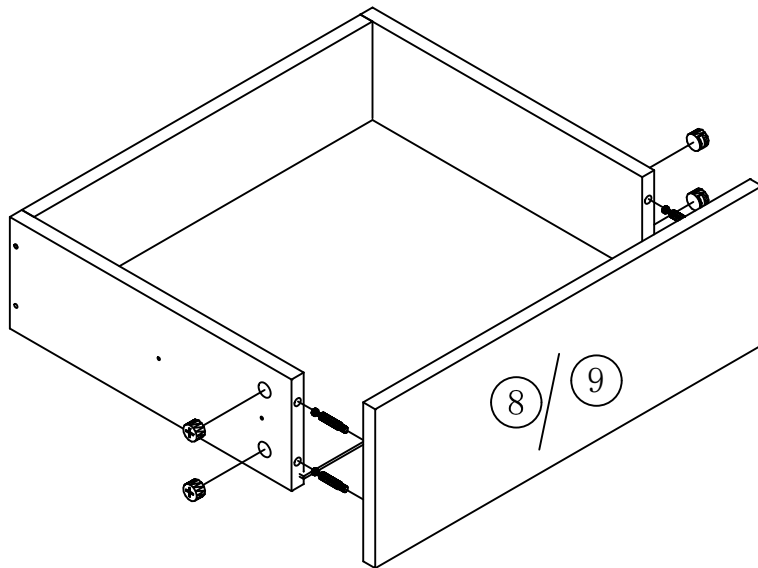


9

X2

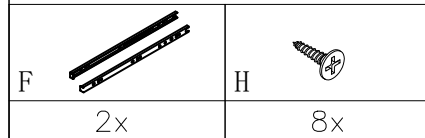
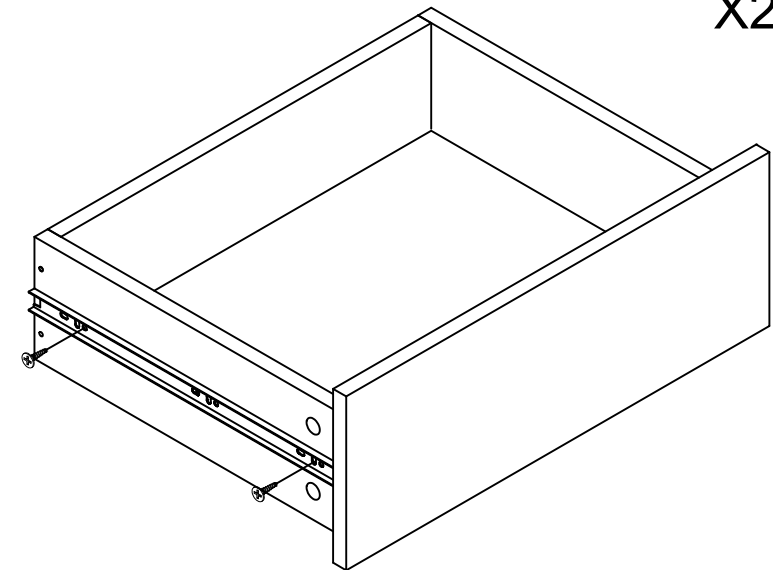


10

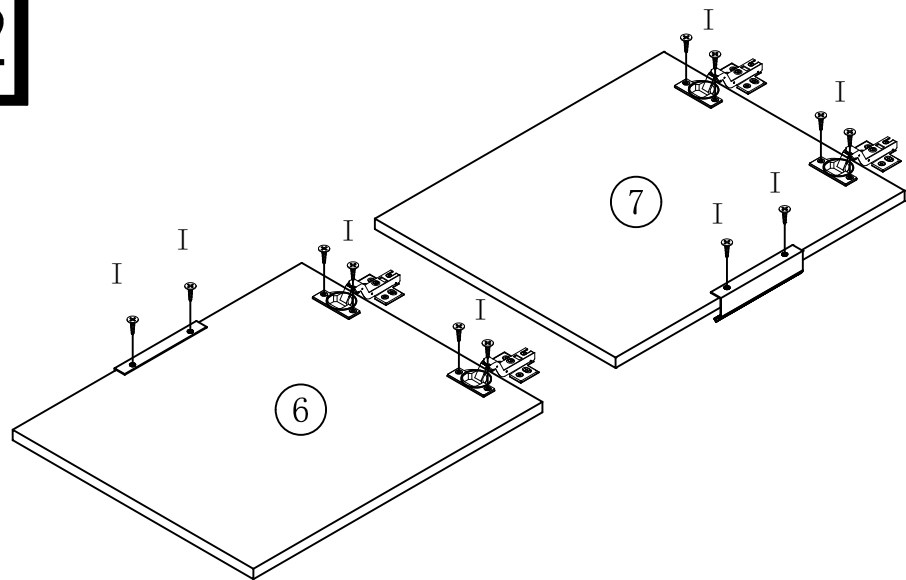


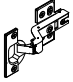


11

X2

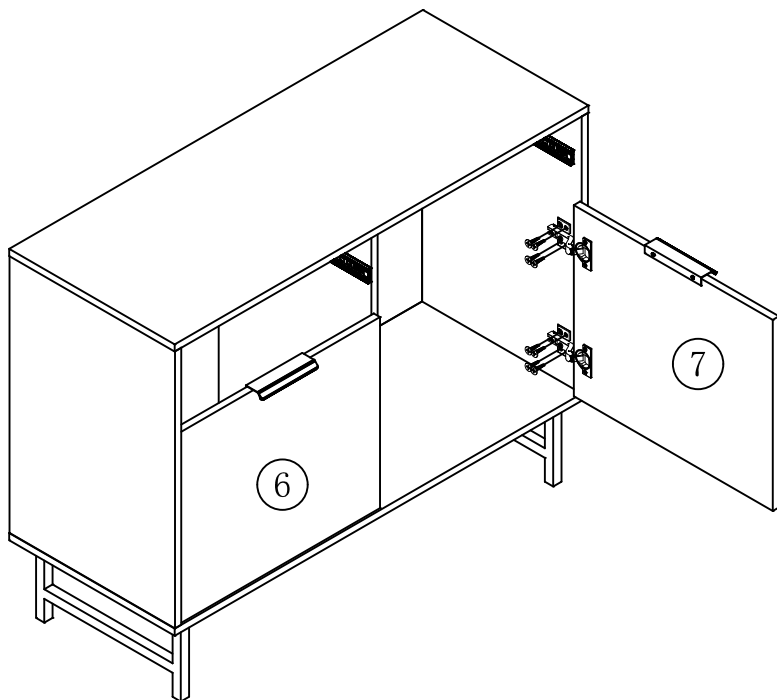



12



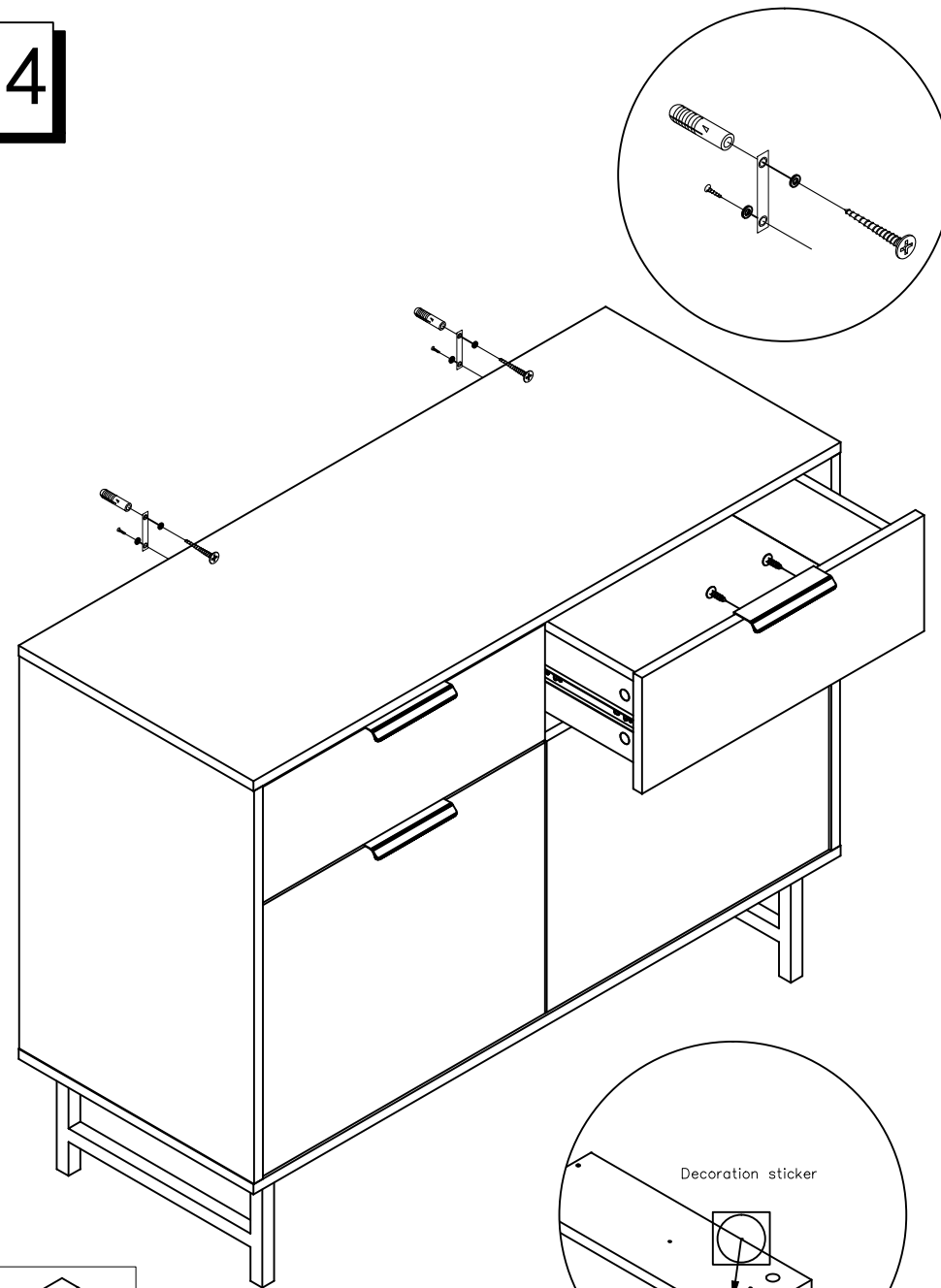
A	I	J
		
4x	12x	2x




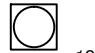

13



H

16x

14



J	N		I
			
2x	2x	4x	
L			
			
26x	2x		