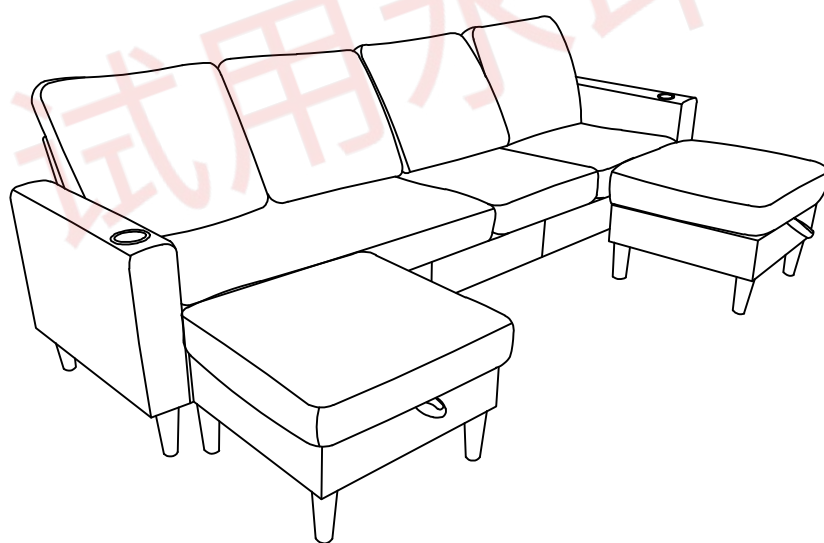


# Sectional Sofa BC722-A-DC

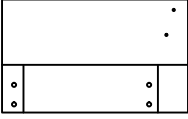
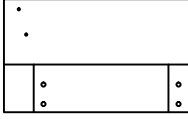
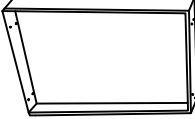

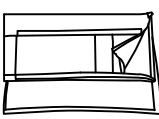
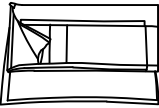
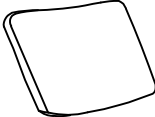
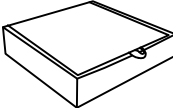
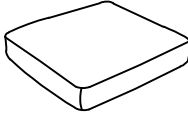






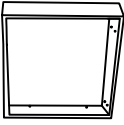
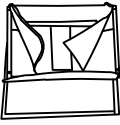



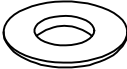



# USAGE AND SAFETY INSTRUCTION

- Please read the following instructions carefully and use the product in accordance with the manual.
- Keep the instruction well. Please give the product along with the installation and operating Instructions, if it is for other people to use.
- The warnings, cautions, and instructions listed in this manual may not cover all possible situations that may arise when using the product. Please contact us if you need further information or help.
- This product is not a climbing frame for children's play, which could result in injury. Please do not leave children unattended.
- Check the item for possible damages before use. Do not use it if it is bent, cracked, or damaged.
- Improper loading can cause a tilt of the item.
- The normal functioning of the product can be guaranteed when it is in a vertical and horizontal position. Please always position the product on a level surface.
- Do not place the product near the fire or heat sources! Caution Fire Hazard.
- Be careful of your hands when setting up! We recommend wearing protective gloves for assembly.
- Do not use corrosive cleaners for cleaning!
- It is important that any product which is assembled using any kind of screw is re-tightened 2 weeks after assembly, and once every 3 months - in order to assure stability through-out the lifespan of the product.

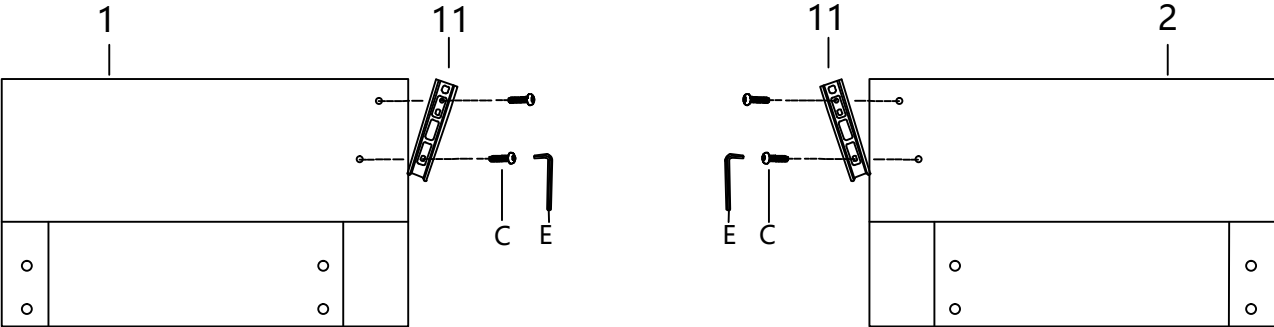
# ASSEMBLY INSTRUCTION

## PART LIST

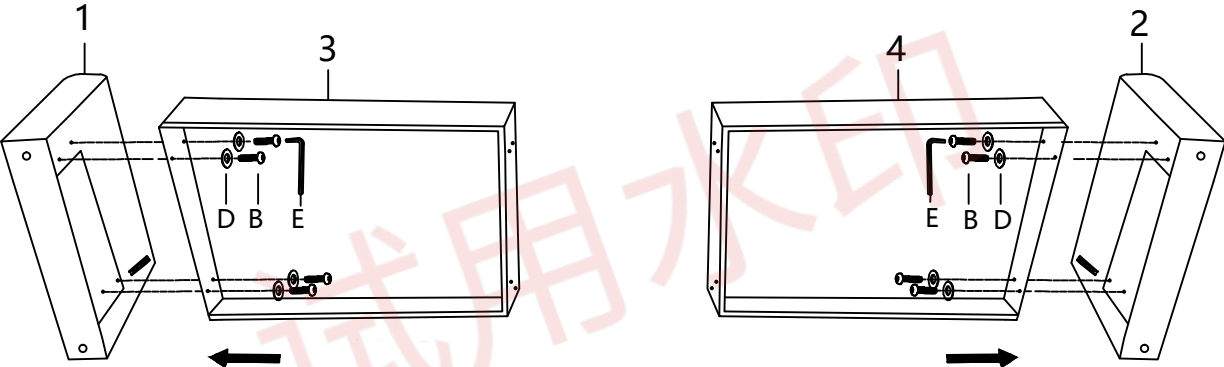
1  Left Armrest 1PC	2  Right Armrest 1PC	3  Left Side 1PC	4  Right Side 1PC	5  Left back iron stand 1PC
6  Right back iron stand 1PC	7  Backpack 4PC	8  Foot pedal frame 2PC	9  Small cushion 4PC	10  Long seat cushion 1PC
11  Plug-in unit 2PC	12  Iron pipe 4PC	13  Middle foot 4PC	14  Foot 12PCS	15  Iron sheet 2PC
16  Middle position 1PC	17  Middle back iron stand 1PC			
A  Spacer 12PCS	B  M6*45MM 20PCS	C  M6*25MM 8PCS	D  8PCS	E  1PC

# ASSEMBLY

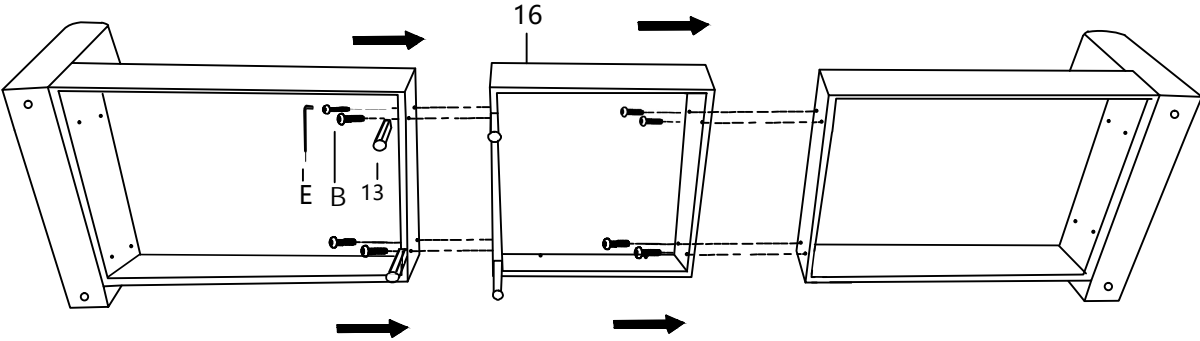
1



2

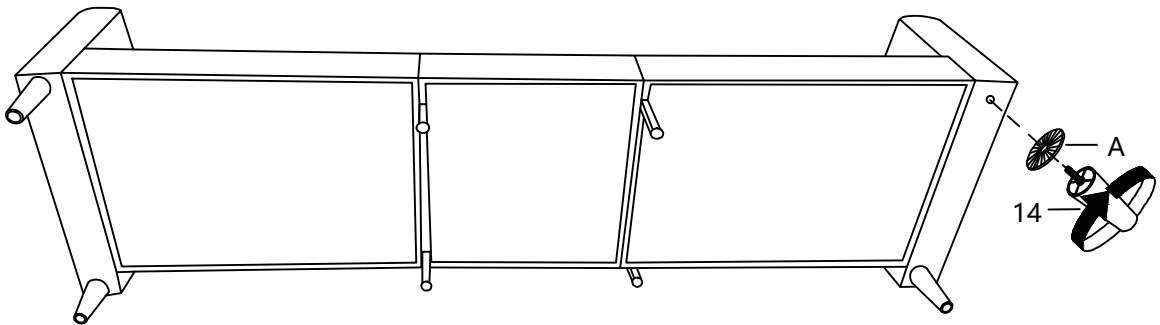


3



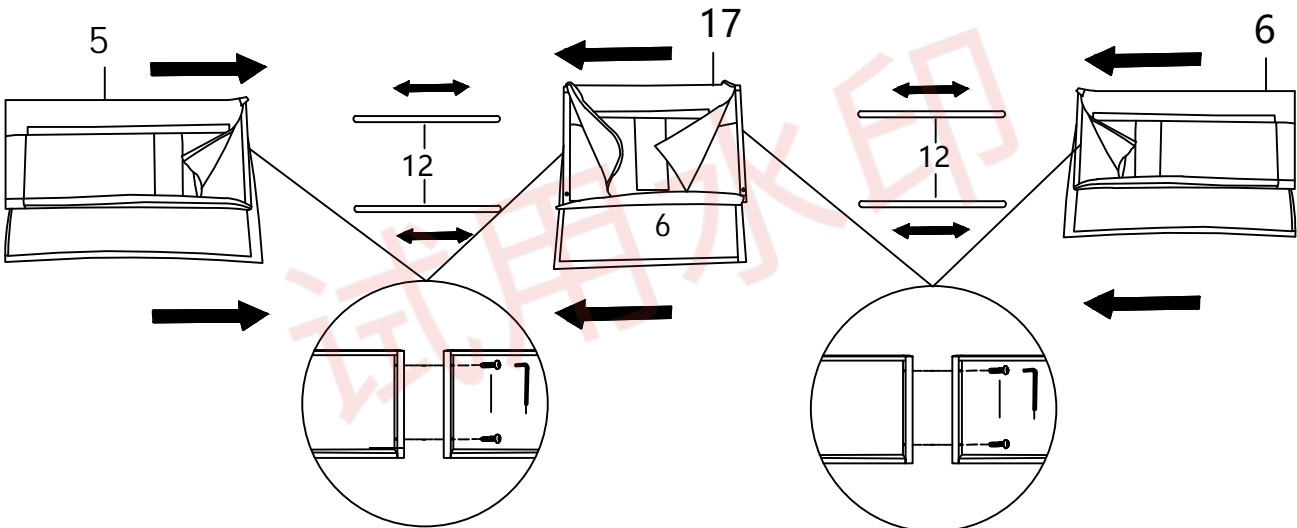
# ASSEMBLY

4



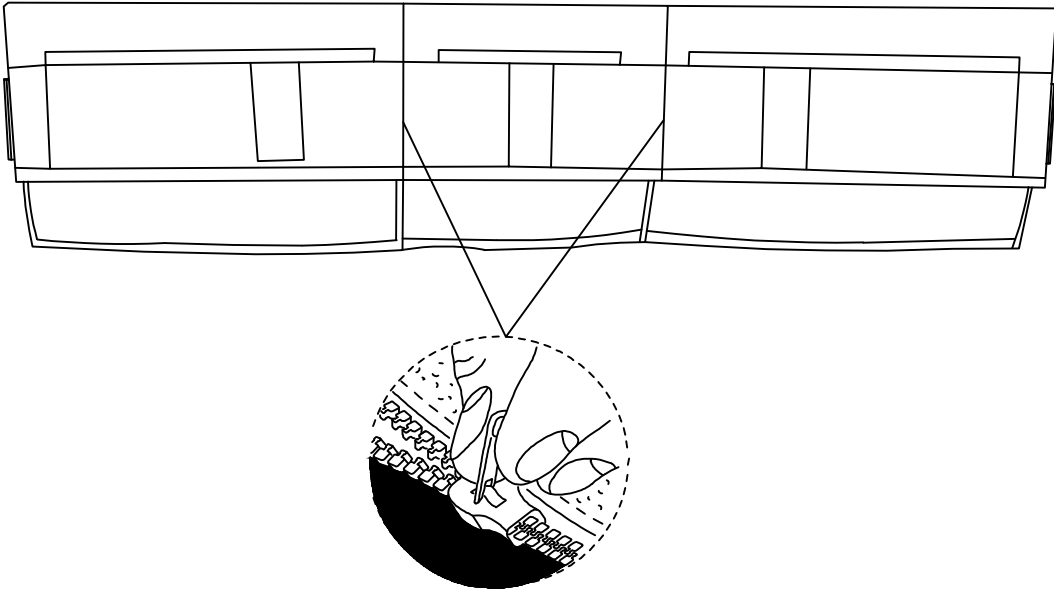
5

The steel pipe is inserted into the backrest lock and fixed by two screws



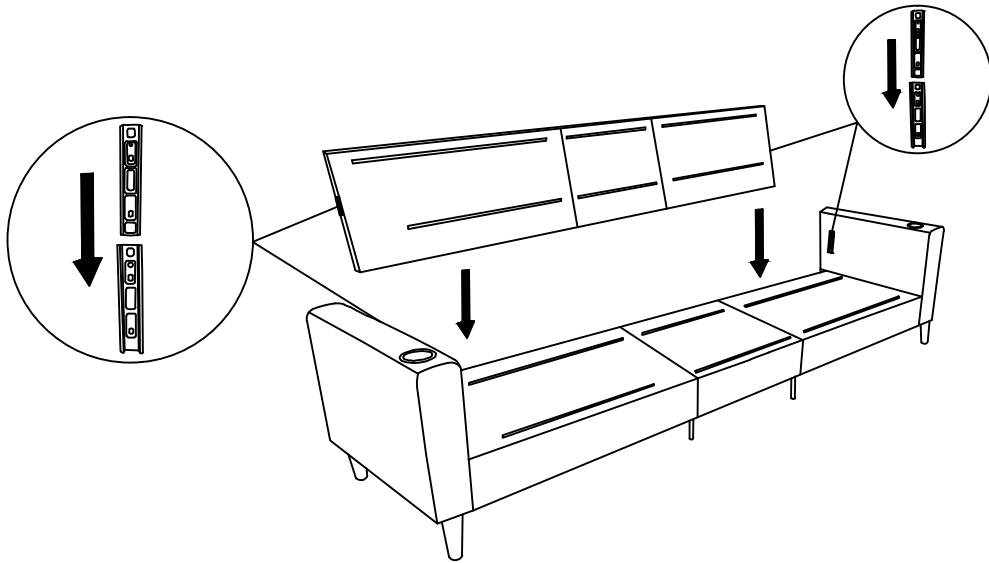
6

A zipper link at the interface between backrests

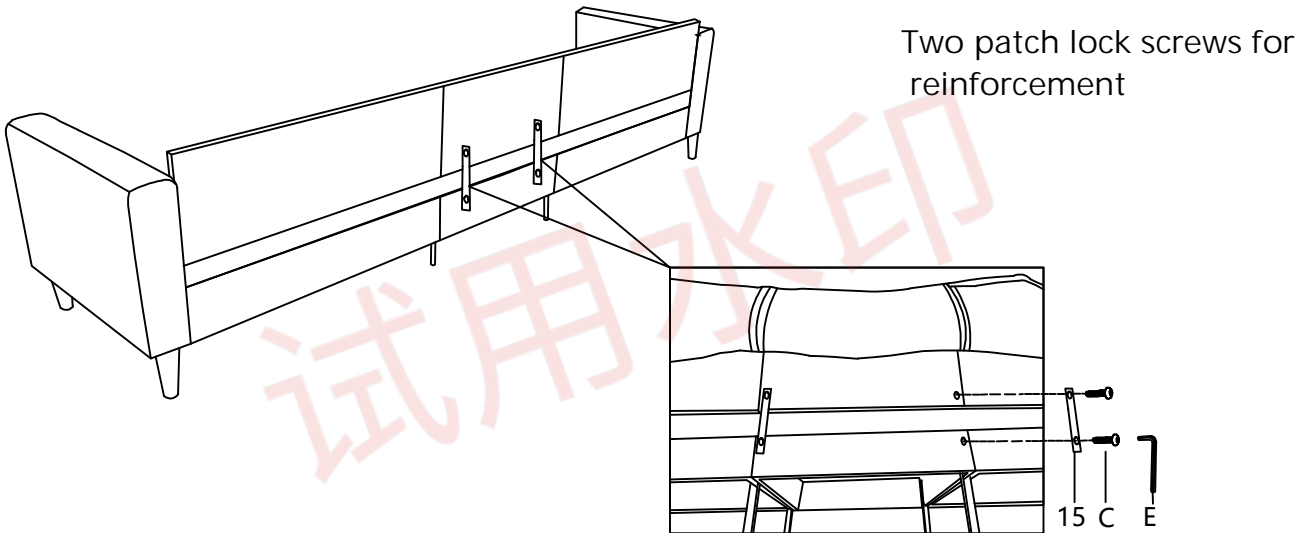


# ASSEMBLY

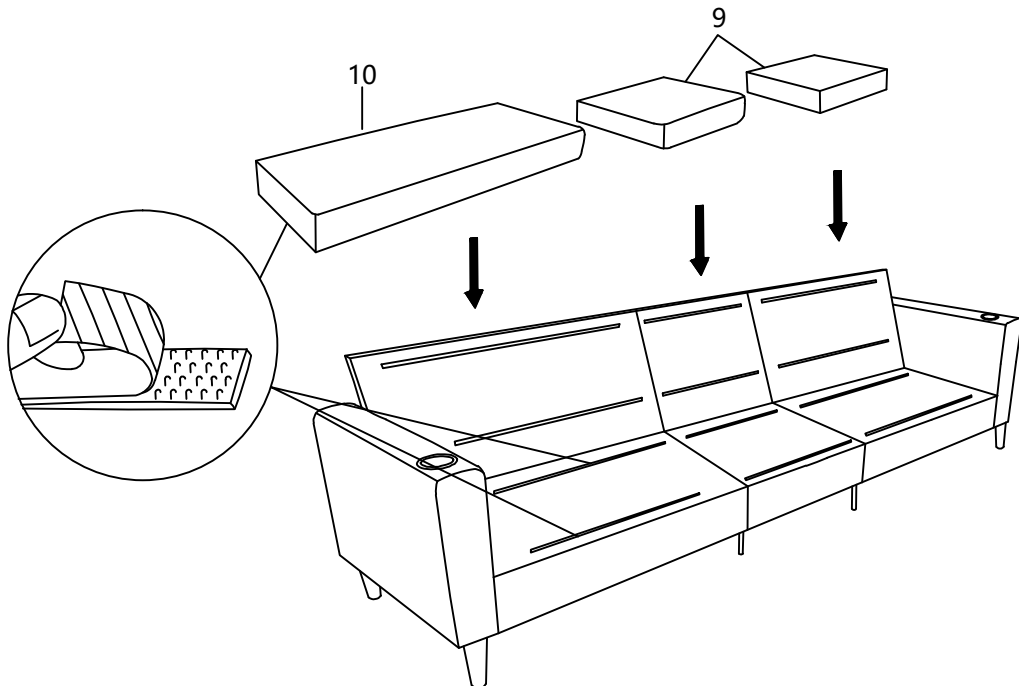
7



8

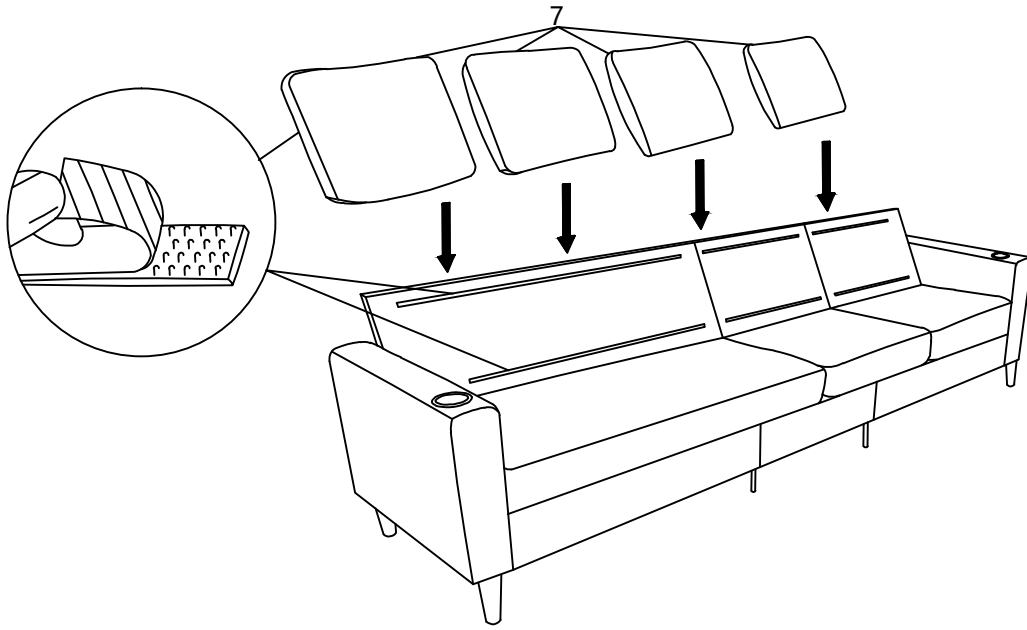


9

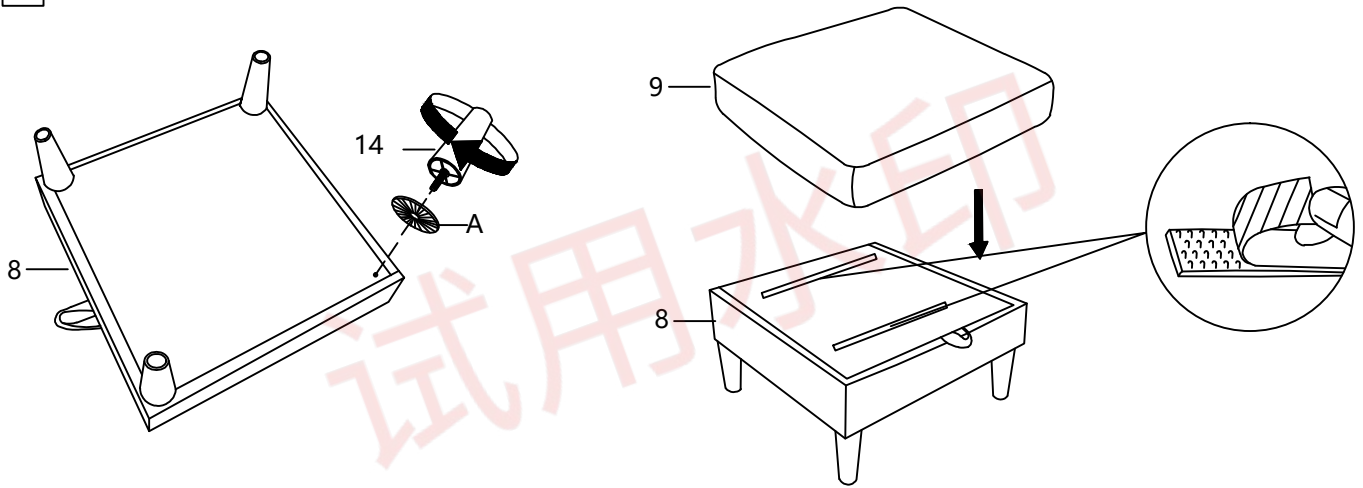


# ASSEMBLY

10



11



12

