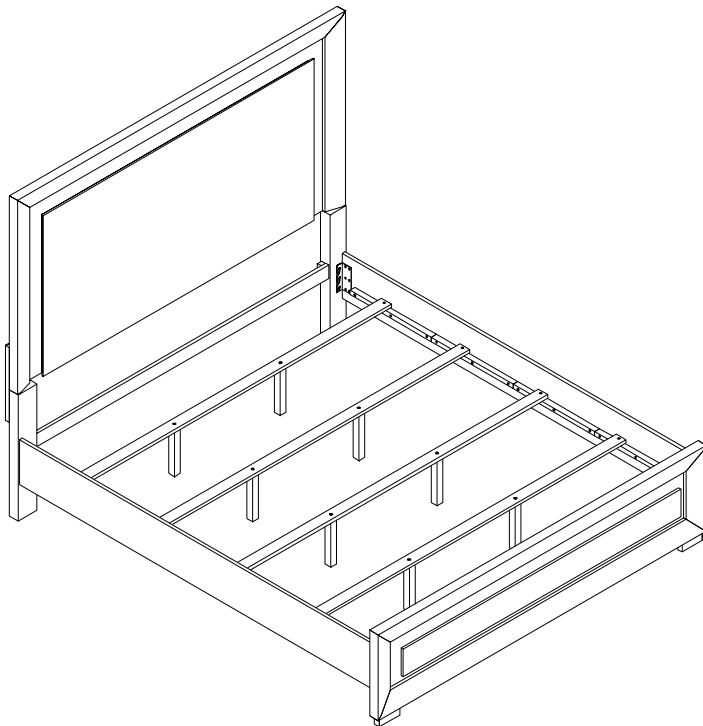


# ASSEMBLY INSTRUCTIONS



## TOOLS REQUIRED



Allen Wrench

(Included)



Phillips  
Screwdriver

(Not Included)



3 - People  
Recommended

## ASSEMBLY RATING



EASY —————> DIFFICULT

The Assembly Rating is a 5-point system showing the level of effort needed to assemble a specific product.



## **CHECK BEFORE STARTING**



### **Are you missing anything?**

Double-check all parts, hardware and accessories listed on Page 6 are accounted for.



### **Check out our Quick Tips!**

We recommend reviewing the pre-assembly handouts. Even experts need a refresher now and then!



### **Should we send any replacements?**

Are there any irregularities or flaws in the parts? We can send replacements!



### **Prep Time!**

Please review the assembly instructions and all diagrams prior to assembling. Set up your workspace by laying the parts and hardware out separately, then begin!

# PRE ASSEMBLY INTRODUCTION

We understand building ready-to-assemble furniture can be a challenging experience for some. To help avoid confusion, we have provided some helpful tips that may speed up the process.



## Teamwork

ALWAYS have at least two people to help with transporting and assembling the product to avoid potential injury and/or damage.



## Suitable Location

Assembling near the area of the intended location is highly recommended.



## Sufficient Space

Make sure you have enough space to move around during the assembly.



## Avoid Scratches

Use cardboard, blankets or a carpeted area while assembling furniture to prevent scratches.



## Flat Surface

Make sure the furniture rests on a flat and level surface with each leg evenly touching the floor.

# ASSEMBLY AND CARE ADVICE



**FAILURE TO FOLLOW THE GUIDELINES BELOW MAY RESULT IN INJURY AND/OR PROPERTY DAMAGE.**



Position each part correctly and insert screws or bolts into their respective holes.



Turn clockwise to tighten and only tighten when step is completed or when instructed to do so.



Use the appropriate hand tools or power tools for assembly. Select steps, such as tightening screws and/or bolts, may require hand tools to avoid causing damage during assembly.



Save the instructions and store any supplied tools for later maintenance.



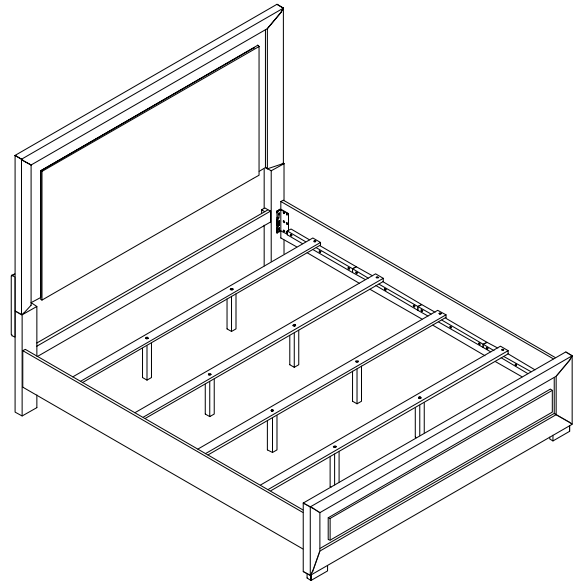
After two weeks, check and tighten any loose hardware and repeat again every six months thereafter.

**IT IS THE USER'S RESPONSIBILITY TO MAINTAIN THE FURNITURE. THE HARDWARE MAY LOOSEN OVER TIME AND MAY CAUSE THE FURNITURE TO BE WOBBLY AND UNABLE TO SUPPORT ITS INTENDED WEIGHT CAPACITY. THIS MAY LEAD TO COLLAPSE AND MAY CAUSE SERIOUS INJURY.**

# BED

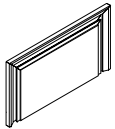


- Please keep instructions for future reference.
- Check the quantity and irregularity of parts and hardware before you start.



## PARTS

#1 1pc



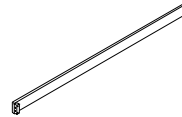
Headboard

#2 2pcs



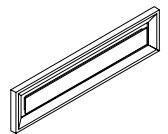
HB Leg (R&L)

#3 1pc



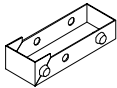
HB Bottom Rail

#4 1pc



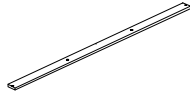
Footboard

#5 2pcs



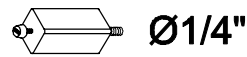
FB Leg (R&L)

#6 4pcs



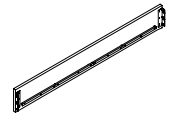
Slat

#7 8pcs



Support leg  
35x35x270mm

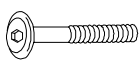
#8 2pcs



Side rail

## HARDWARE

#A 16pcs



Bolt  
Ø1/4" x 1-3/4"

#B 16pcs



Lock Washer  
Ø1/4"x 10mm

#C 16pcs



Flat Washer  
Ø1/4"x 13mm

#D 2pcs



Allen Key M4

#E 1pc  
Allen Key M4

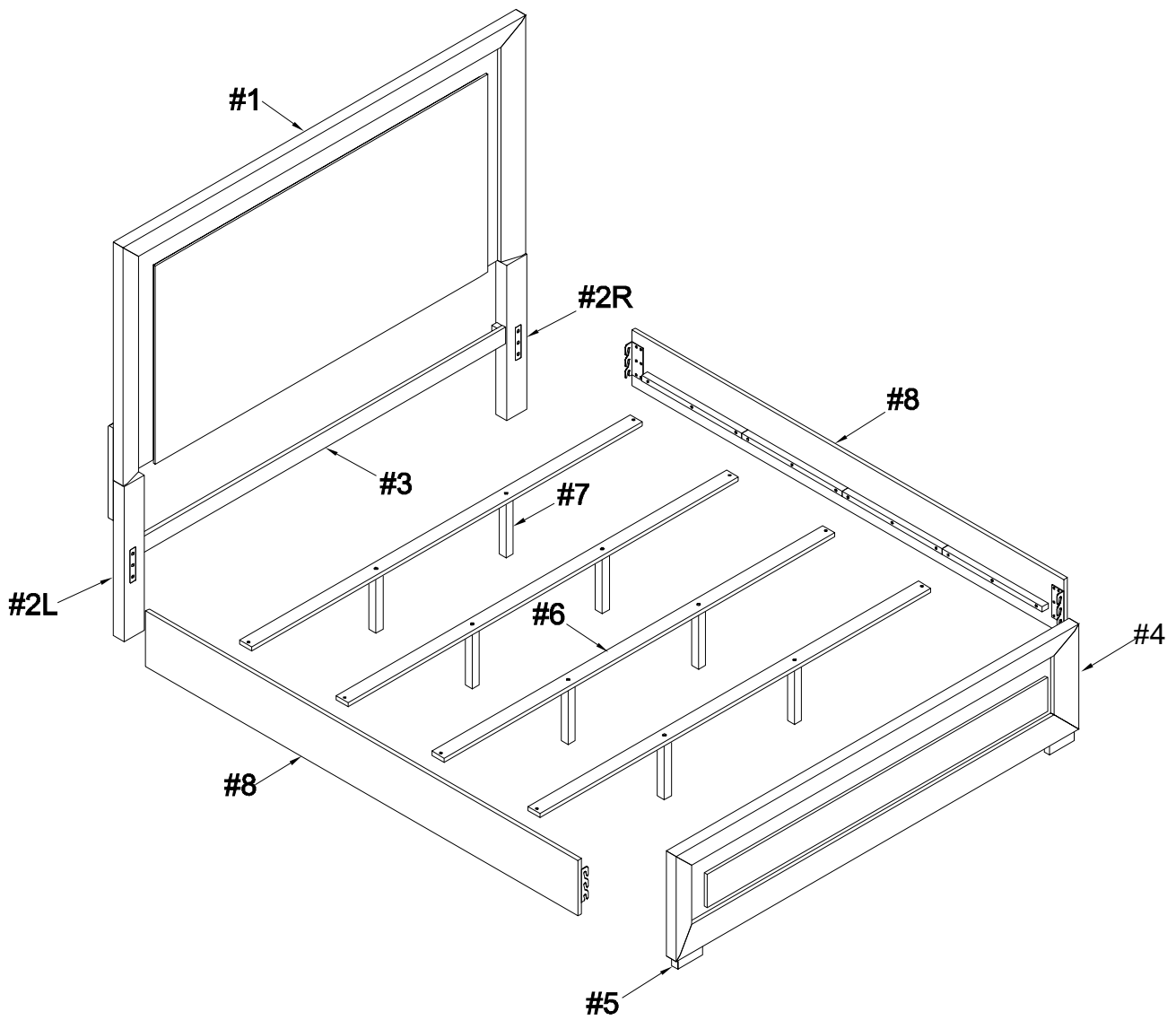
#F 16pcs  
Bolt  
Ø5/16" x 1"

#G 4pcs  
Lock Washer  
Ø5/16"x 13mm

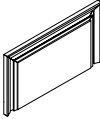






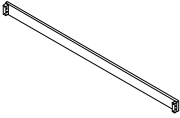
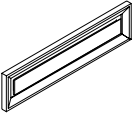



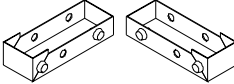

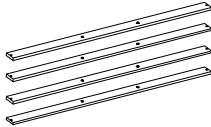

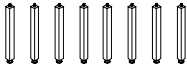
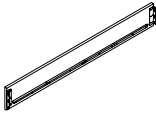


#H 4pcs  
Flat Washer  
Ø5/16"x 19mm

#I 8pcs  
Screw #4 x 30mm

#J 1Set  
Plug-in-Power Supply



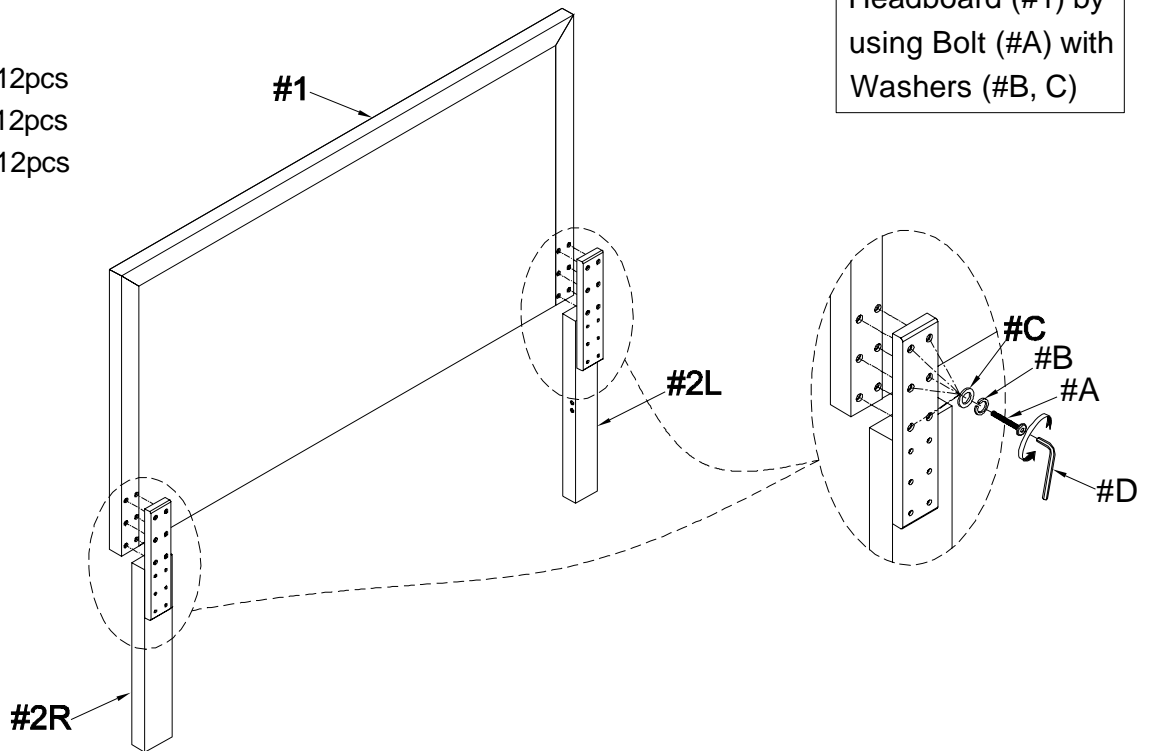
# packed in 3 cases

Carton	Disignation	Part		Hardware
	Headboard	#1		 #A x 16pcs  #B x 16pcs  #C x 16pcs
	Headboard Leg (L&R) (2PCS)	#2		 #D x 1pc  #J x 1pc
	Headboard bottom rail	#3		
	Footboard	#4		 #F x 4pcs  #G x 4pcs  #H x 4pcs
	FB Leg (R&L) (2PCS)	#5		 #E x 1pc
	Slat (4PCS)	#6		 #I x 8pcs
	Support leg (8PCS)	#7		
	Side rail (2PCS)	#8		 #D x 1pc  #F x 12pcs

# ASSEMBLY INSTRUCTIONS

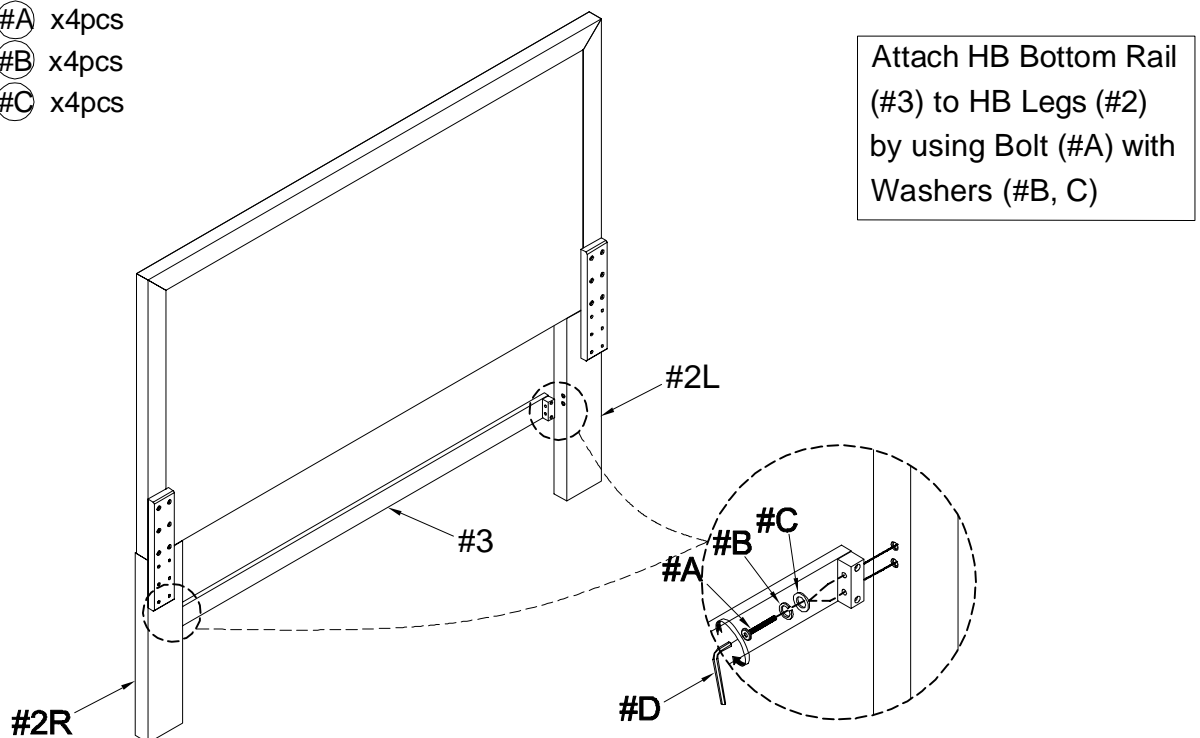
## 1

- Part #1 x1pc
- Part #2 x2pcs
- Hardware #A x12pcs
- Hardware #B x12pcs
- Hardware #C x12pcs



## 2

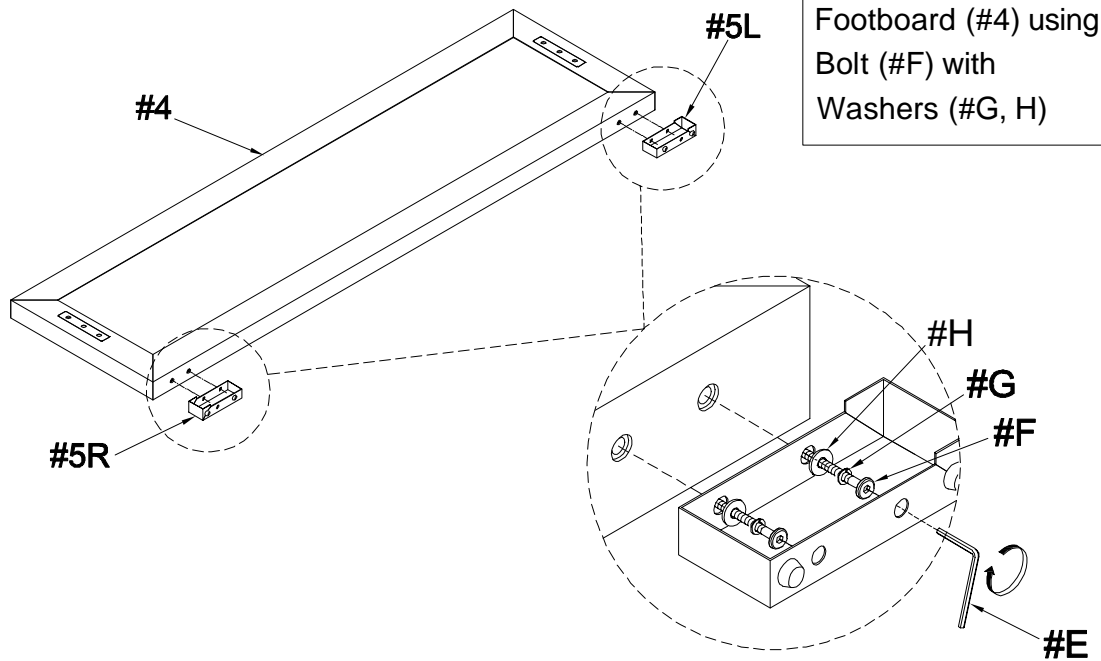
- Part #3 x1pc
- Hardware #A x4pcs
- Hardware #B x4pcs
- Hardware #C x4pcs



# ASSEMBLY INSTRUCTIONS

## 3

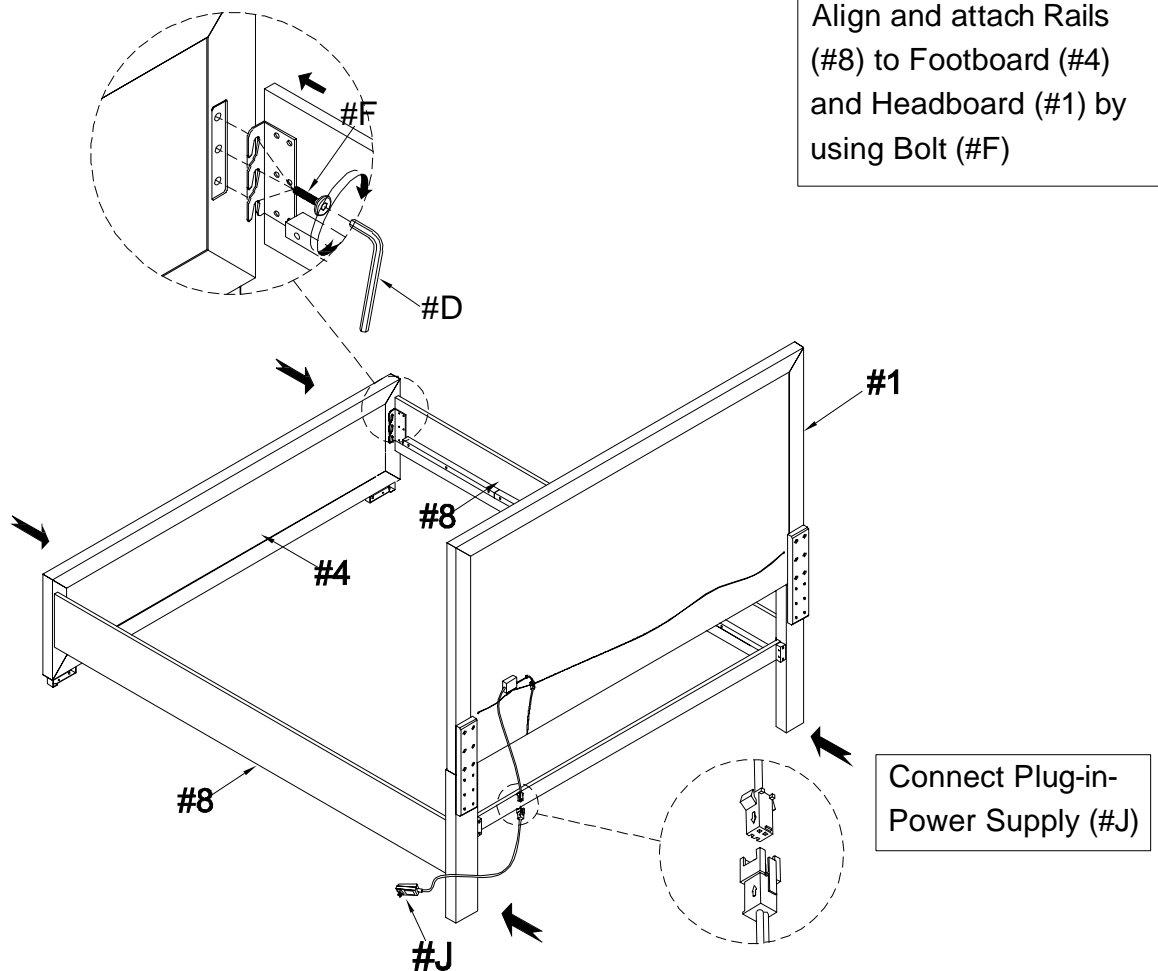
- Part #4 x1pc
- Part #5 x2pcs
- Hardware #F x4pcs
- Hardware #G x4pcs
- Hardware #H x4pcs



Attach FB Leg (#5) to Footboard (#4) using Bolt (#F) with Washers (#G, H)

## 4

- Part #8 x 2pcs
- Hardware #F x12pcs
- Hardware #J x1Set



Align and attach Rails (#8) to Footboard (#4) and Headboard (#1) by using Bolt (#F)

Connect Plug-in Power Supply (#J)

# ASSEMBLY INSTRUCTIONS

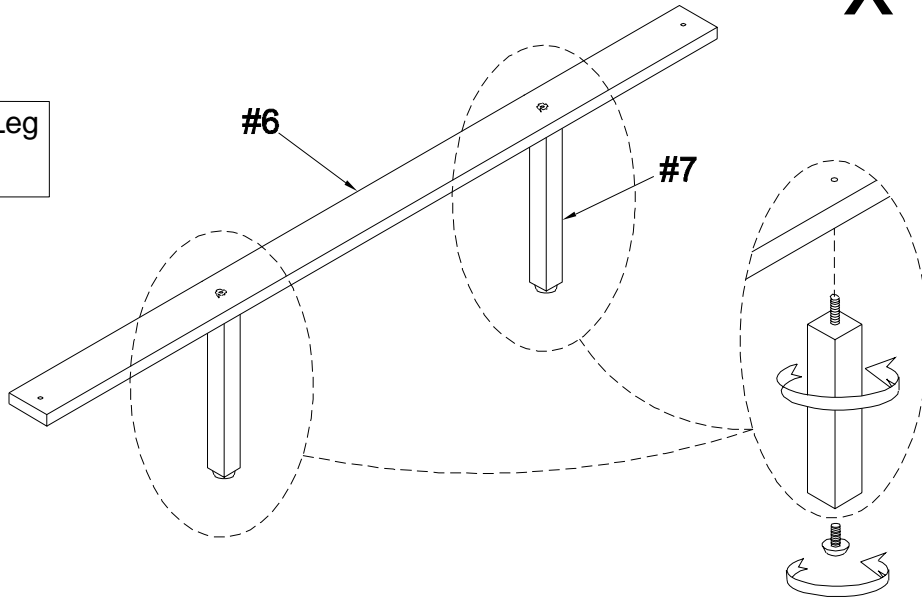
## 5

Part #6 x1pc

Part #7 x2pcs

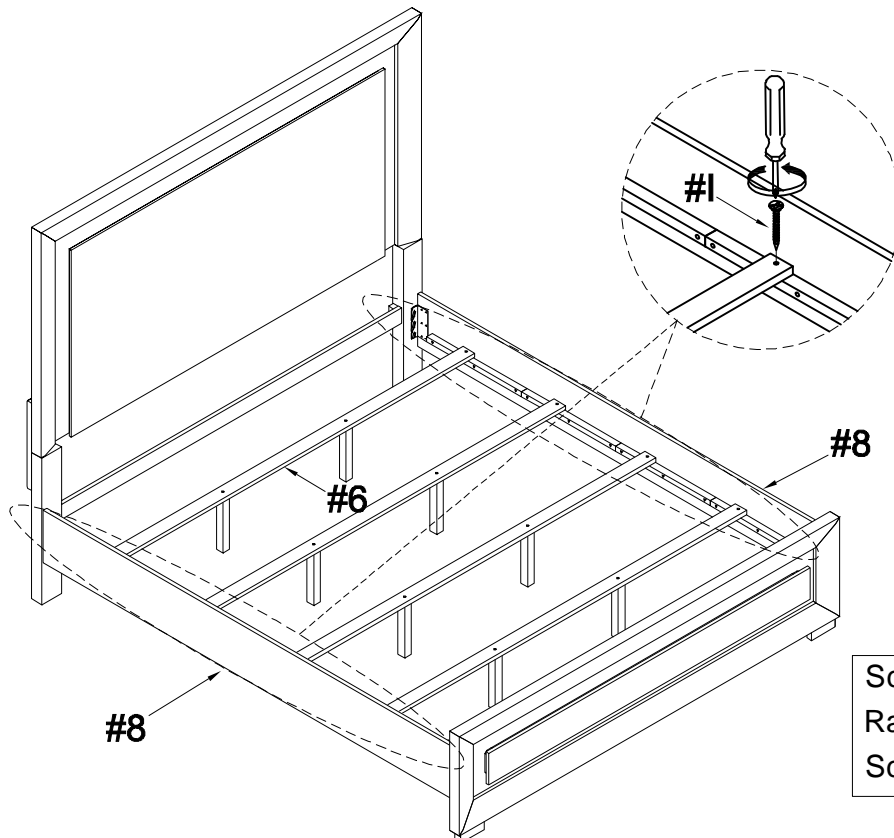
# x 4

Screw Support Leg  
(#7) to Slat (#6)



## 6

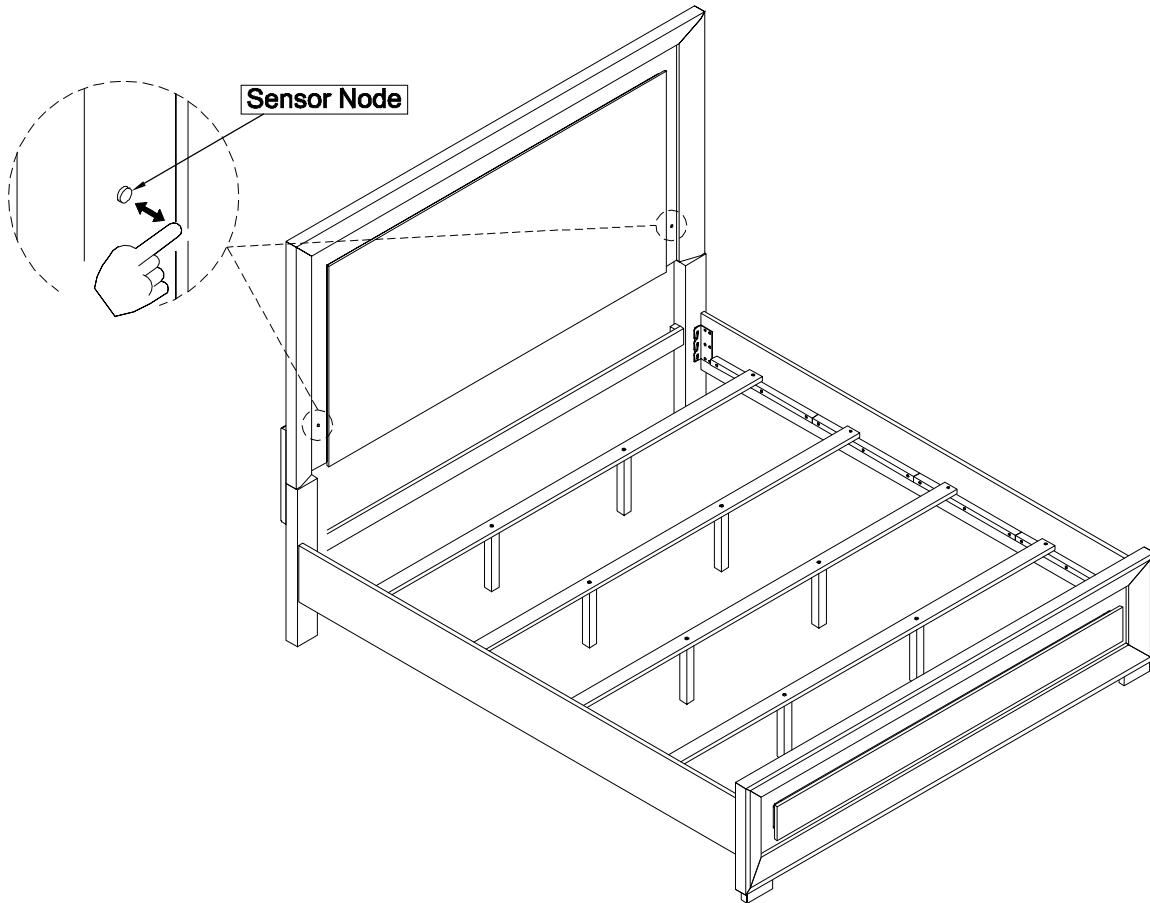
Hardware #1 x8pcs



Screw Slat (#6) unto  
Rails (#8) using  
Screw (#1)

# ASSEMBLY INSTRUCTIONS

7



## ASSEMBLY COMPLETED



Please ensure the furniture rests on an even and flat surface. If the product wobbles or feels loose, double-check all bolts and/or screws are properly tightened and secured.



### Keep this handy!

Please retain this instruction manual and any order-related information for future reference.

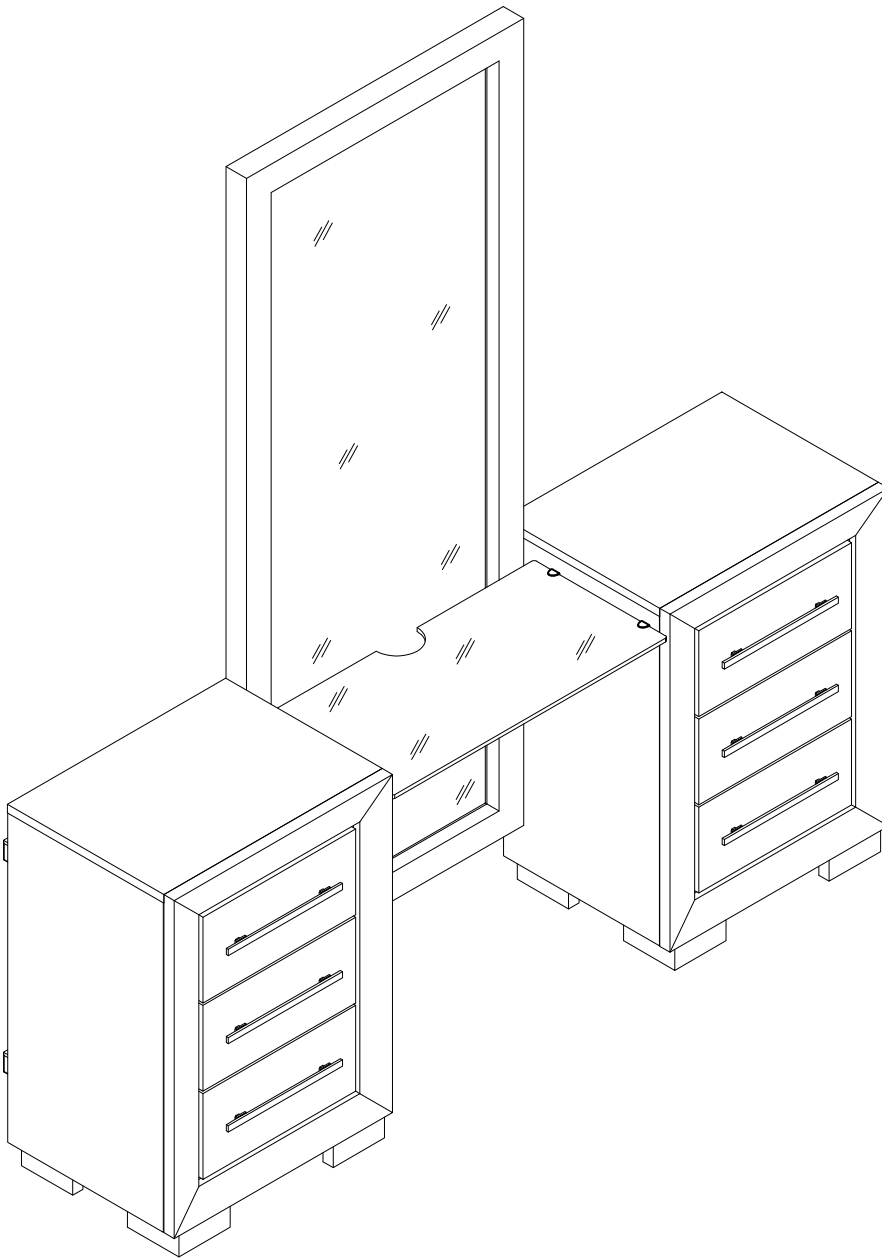


### Lift, don't drag!

To avoid damage to product please always LIFT the product when transporting or adjusting the placement.

This product is intended for RESIDENTIAL USE ONLY and not for commercial use.

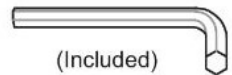
# ASSEMBLY INSTRUCTIONS



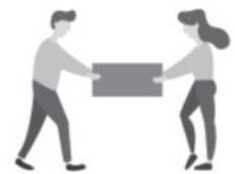
## TOOLS REQUIRED



Screwdriver  
( Not included)



(Included)  
Allen Wrench



2 - People

## ASSEMBLY RATING



EASY ————— DIFFICULT

The Assembly Rating is a 5-point system showing the level of effort needed to assemble a specific product.



## **CHECK BEFORE STARTING**

- |   |  |
|---|--|
| <input type="checkbox"/> <b>Are you missing anything?</b><br>Double-check all parts, hardware and accessories listed are all accounted for.       | <input type="checkbox"/> <b>Check out our Quick Tips!</b><br>We recommend reviewing the pre-assembly handouts. Even experts need a refresher now and then! |
| <input type="checkbox"/> <b>Should we send any replacements?</b><br>Are there any irregularities or flaws in the parts? We can send replacements! | <input type="checkbox"/> <b>Prep Time!</b><br>Please review the assembly instructions and all diagrams prior to assembling.                                |

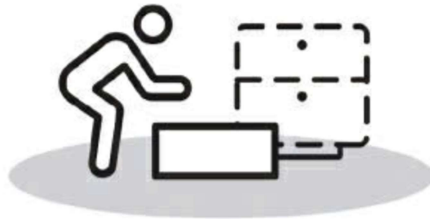
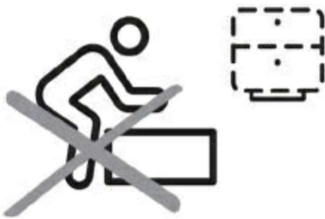
# PRE ASSEMBLY INTRODUCTION

We understand building ready-to-assemble furniture can be a challenging experience for some. To help avoid confusion, we have provided some helpful tips that may speed up the process.



## Teamwork

ALWAYS have at least two people to help with transporting and assembling the product to avoid potential injury and/or damage.



## Suitable Location

Assembling near the area of the intended location is highly recommended.



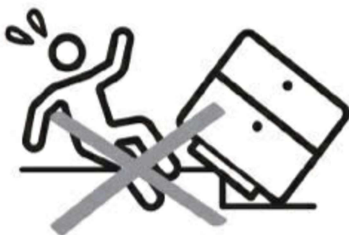
## Sufficient Space

Make sure you have enough space to move around during the assembly.



## Avoid Scratches

Use cardboard, blankets or a carpeted area while assembling furniture to prevent scratches and damages.



## Flat Surface

Make sure the furniture rests on a flat and level surface with each leg evenly touching the floor.

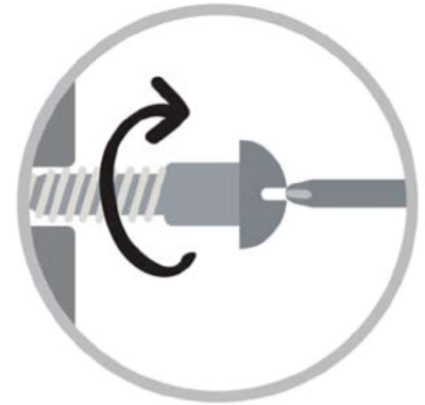
# ASSEMBLY AND CARE ADVICE



**FAILURE TO FOLLOW THE GUIDELINES BELOW MAY RESULT IN INJURY AND/OR PROPERTY DAMAGE.**



Position each part correctly and insert screws or bolts into their respective holes.



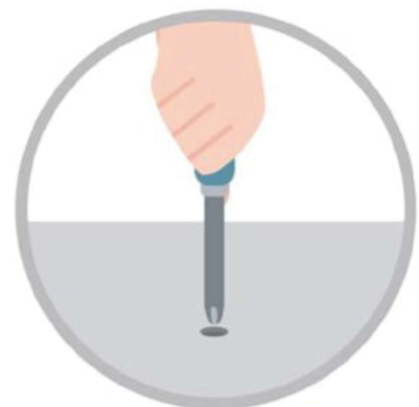
Turn clockwise to tighten and only tighten when step is completed or when instructed to do so.



Use the appropriate hand tools or power tools for assembly. Select steps, such as tightening screws and/or bolts, may require hand tools to avoid causing damage during assembly.



Save the instructions and store any supplied tools for later maintenance.



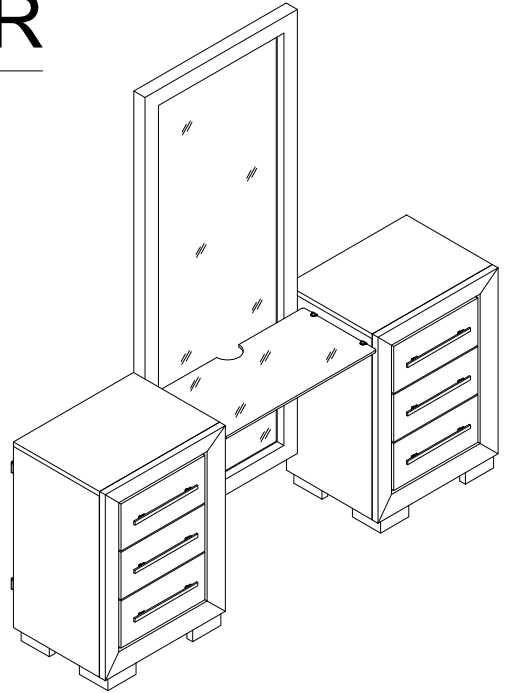
After two weeks, check and tighten any loose hardware and repeat again every six months thereafter.

**IT IS THE USER'S RESPONSIBILITY TO MAINTAIN THE FURNITURE. THE HARDWARE MAY LOOSEN OVER TIME AND MAY CAUSE THE FURNITURE TO BE WOBBLY AND UNABLE TO SUPPORT ITS INTENDED WEIGHT CAPACITY. THIS MAY LEAD TO COLLAPSE AND MAY CAUSE SERIOUS INJURY.**

# VANITY-BASE / MIRROR



- Please keep instructions for future reference.
- Check the quantity and irregularity of parts and hardware before you start.



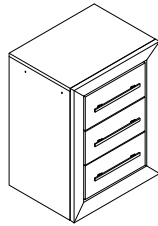
## PARTS

1



Vanity Base - Left  
1pc

2



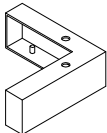
Vanity Base - Right  
1pc

3



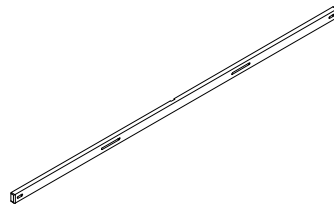
Vanity Mirror  
1pc

4



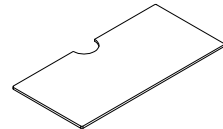
Leg  
8pcs

5



Mirror Support Slats  
2pcs

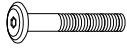
6



Mirror Glass Shelf  
1pc

# HARDWARE

A



Bolt  
Ø5/16" x 1"  
16pcs

B



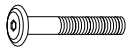
Lock Washer  
Ø5/16"x13mm  
16pcs

C



Flat Washer  
Ø5/16"x19mm  
16pcs

D



Bolt  
Ø1/4" x 1 1/2"  
12pcs

E



Lock Washer  
Ø1/4" x 3/8"  
12pcs

F



Flat Washer  
Ø1/4" x 3/4"  
12pcs

G



Allen Key M4  
2pcs

H



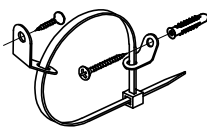
Allen Key M4  
1pc

I



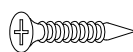
Glass Mounting Brackets  
4pcs

J









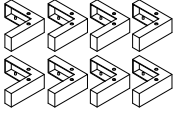
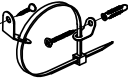



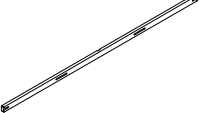
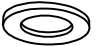

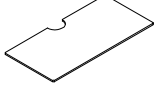

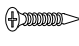
Anti Tip Kit  
2sets

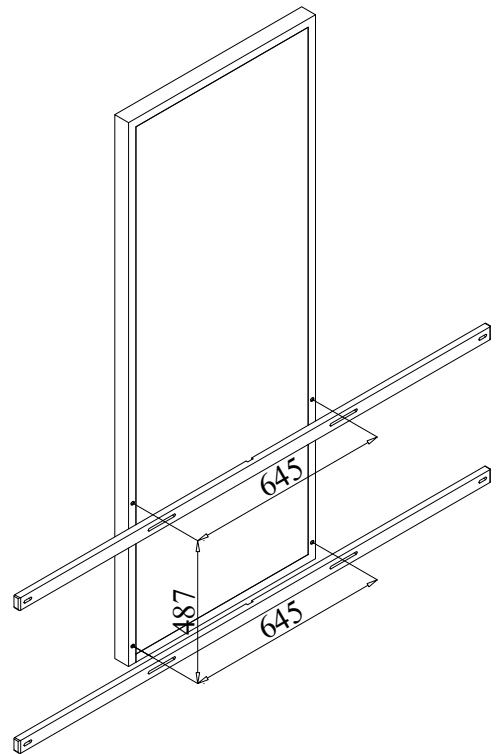
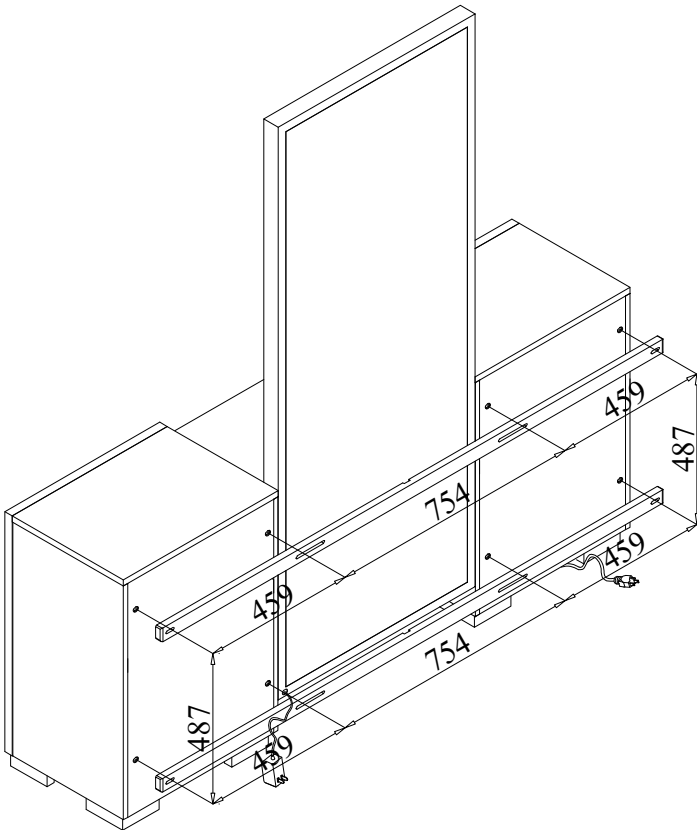
K



Screw  
Ø4 x 30mm  
2pcs

# packed in 2 cases

Carton	Disignation	Part	Hardware
1	Vanity Base - Left	1 	 A x 16pcs  B x 16pcs
	Vanity Base - Right	2 	 C x 16pcs  G x 2pcs
	Leg	4 	 J x 2Sets
2	Vanity Mirror	3 	 D x 12pcs  E x 12pcs
	Mirror Support Slats	5 	 F x 12pcs  H x 1pc
	Mirror Glass Shelf	6 	 I x 4pcs  K x 2pcs





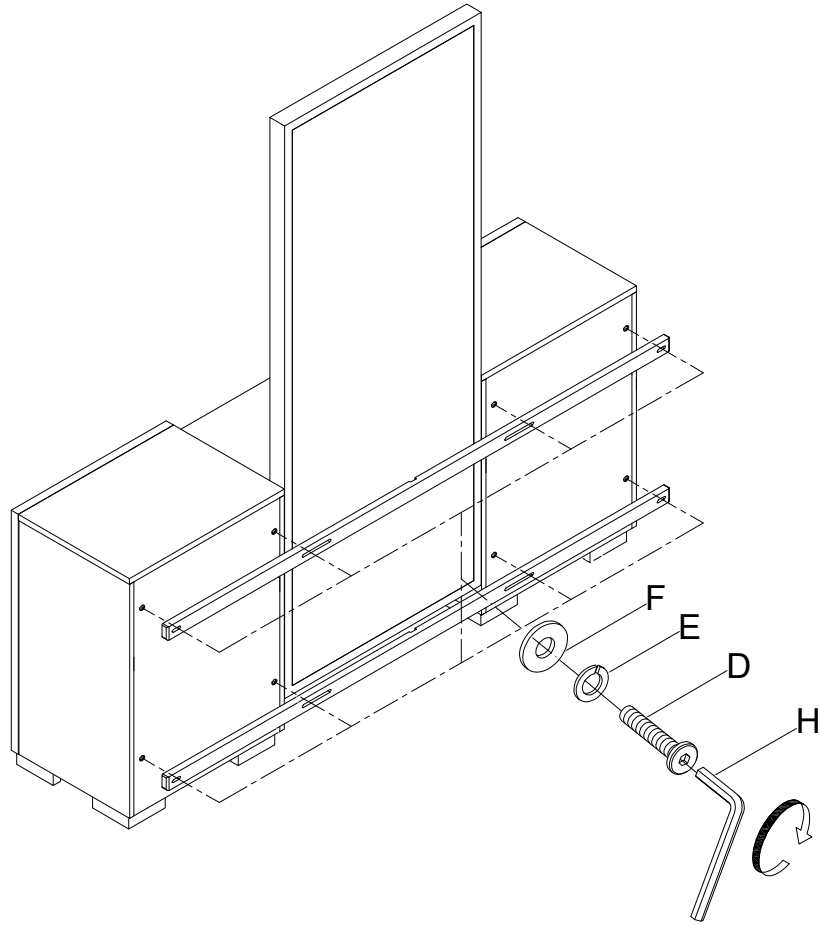
# ASSEMBLY INSTRUCTIONS

## 3

Hardware **(D)** x8pcs

Hardware **(E)** x8pcs

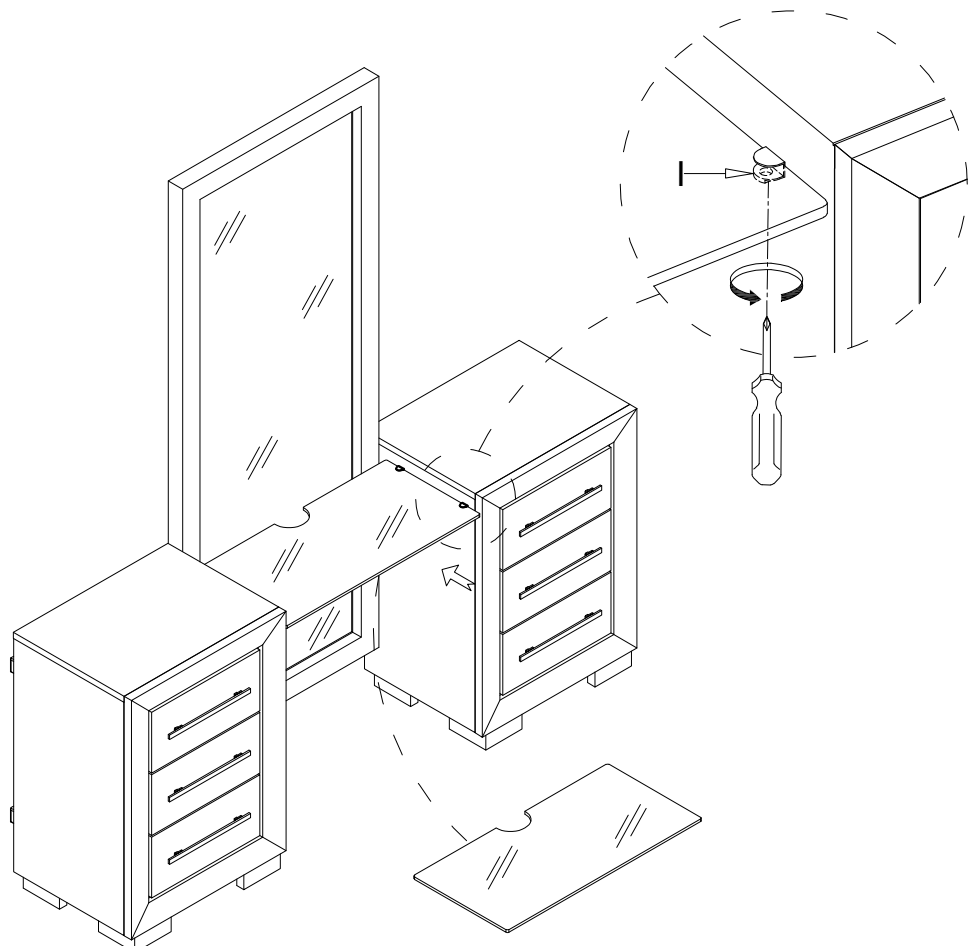
Hardware **(F)** x8pcs



## 4

Part **(6)** x1pc

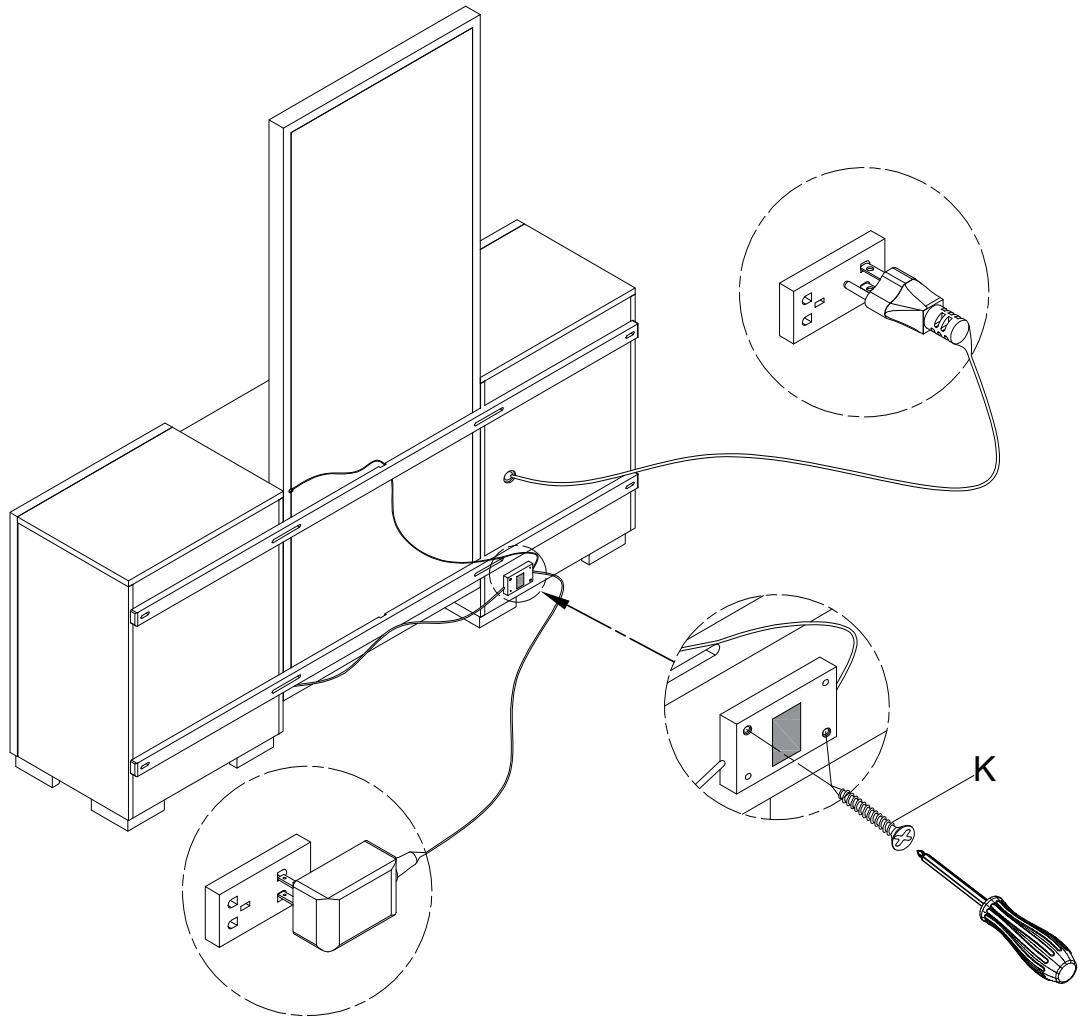
Hardware **(I)** x4pcs



# ASSEMBLY INSTRUCTIONS

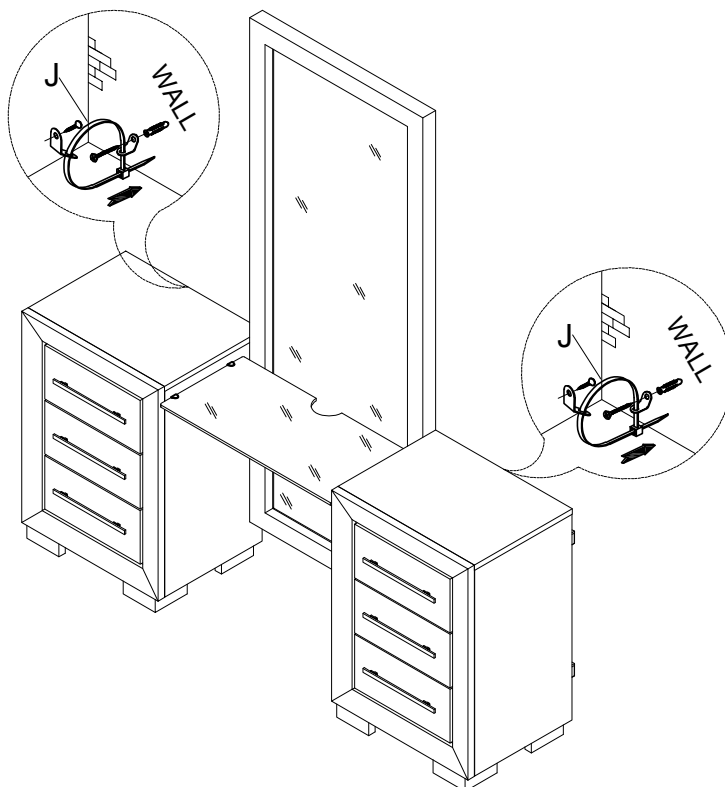
## 5

Hardware (K) x2pcs



## 6

Hardware (J) x2Sets



### ASSEMBLY COMPLETED



Please ensure the furniture rests on an even and flat surface. If the product wobbles or feels loose, double-check all bolts and/or screws are properly tightened and secured.

#### ✓ Keep this handy!

Please retain this instruction manual and any order-related information for future reference.

#### ✓ Lift, don't drag!

To avoid damage to product please always LIFT the product when transporting or adjusting the placement.

This product is intended for RESIDENTIAL USE ONLY and not for commercial use.