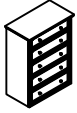


ASSEMBLY INSTRUCTION

5 DRAWER CHEST

A Chest



1 pc

B Legs
(In The Drawer)

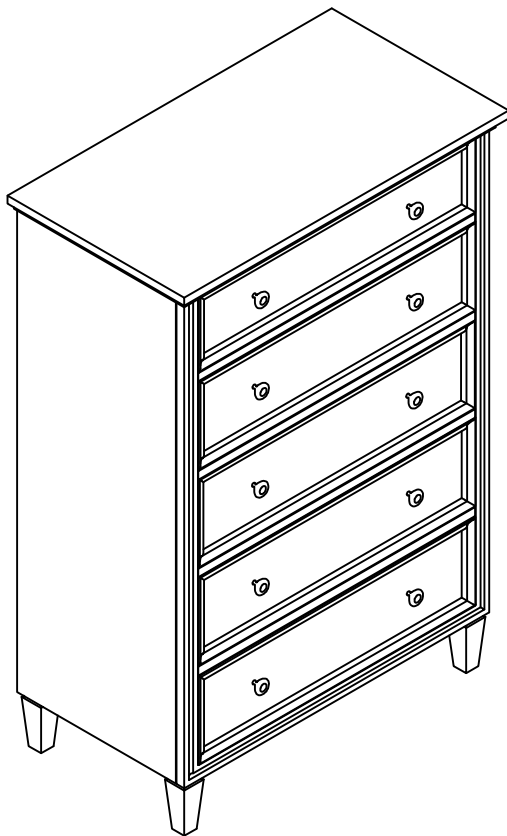


4 pcs

C Anti-Tipping HW

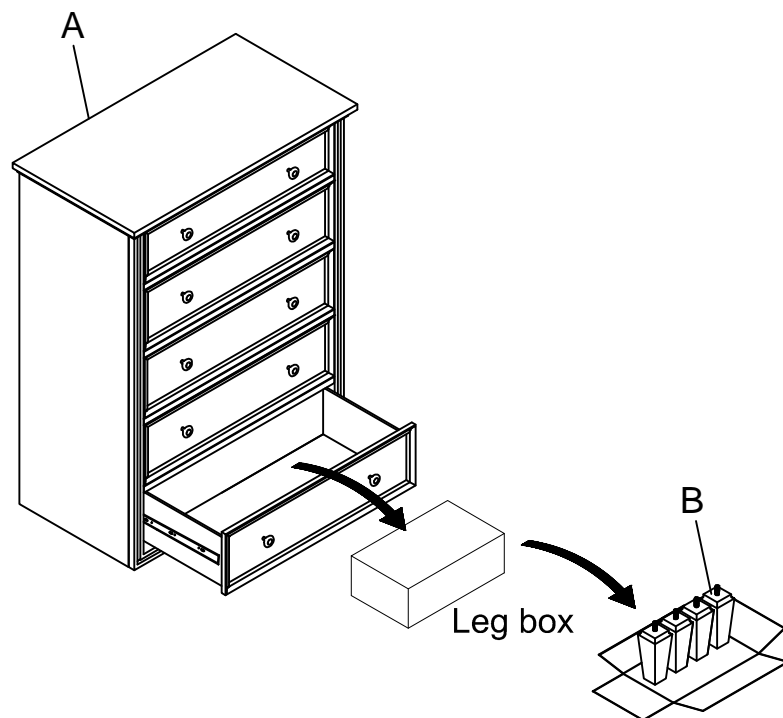


1 set

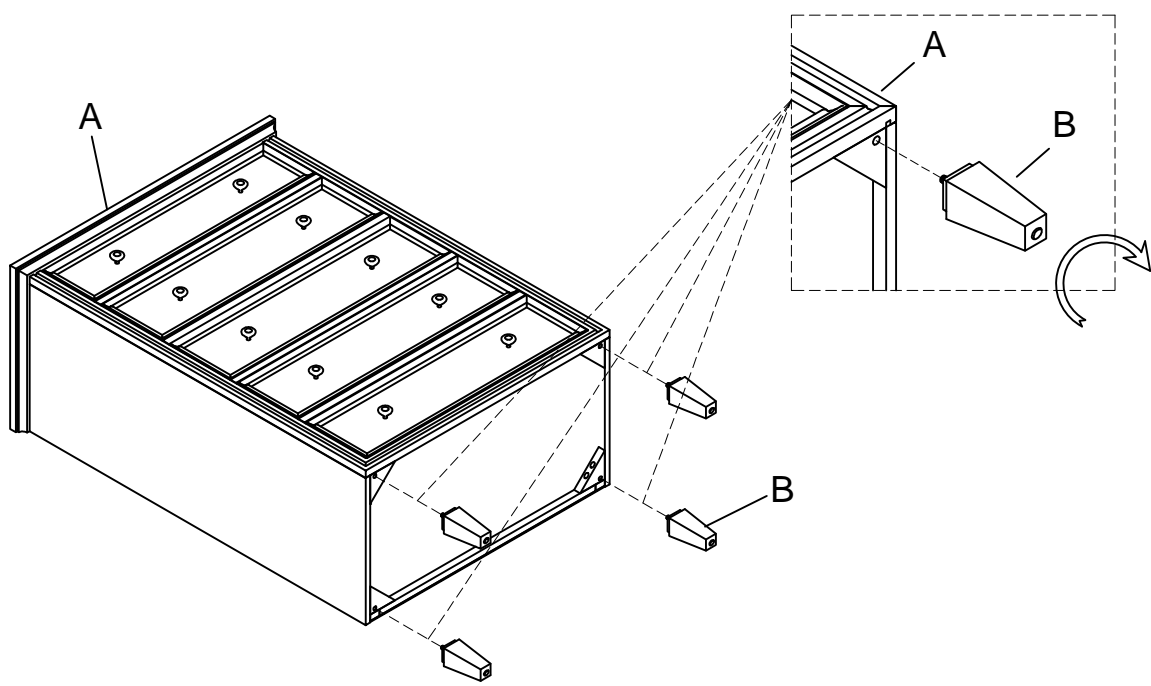


This page lists all the contents included in the box. Please take the time to identify the hardware as well as the individual components to this product. As you unpack and prepare for assembly, place the contents on a carpeted or padded area to protect them from damage.

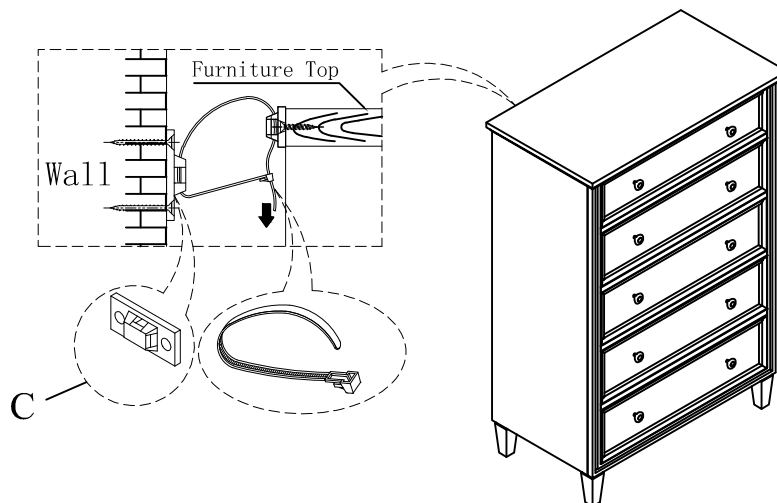
1 Take out Leg box from the drawer.



2 Turn upside down and place on soft surface. Attach Legs(B) to Chest(A).



-
- 3** Attach Anti-Tipping HW(C) to wall: Attach bracket (vertically) to wall using 2 of the screws provided. Attach bracket (horizontally) to furniture back (directly below top) with 2 of the screws provided. Place bracket as close to center of furniture back as possible in relation to wall stud and the desired position in the room. Move furniture to its final position. Thread the strap through bracket, and pull it tight.



Cleaning & Care

Treat surface with care. Surface is resistant to scratches but is not scratch resistant. Clean surfaces with a dry or damp soft cloth. Do not use abrasive cleaners. Hardware may loosen over time. Periodically check that all connections are tight.