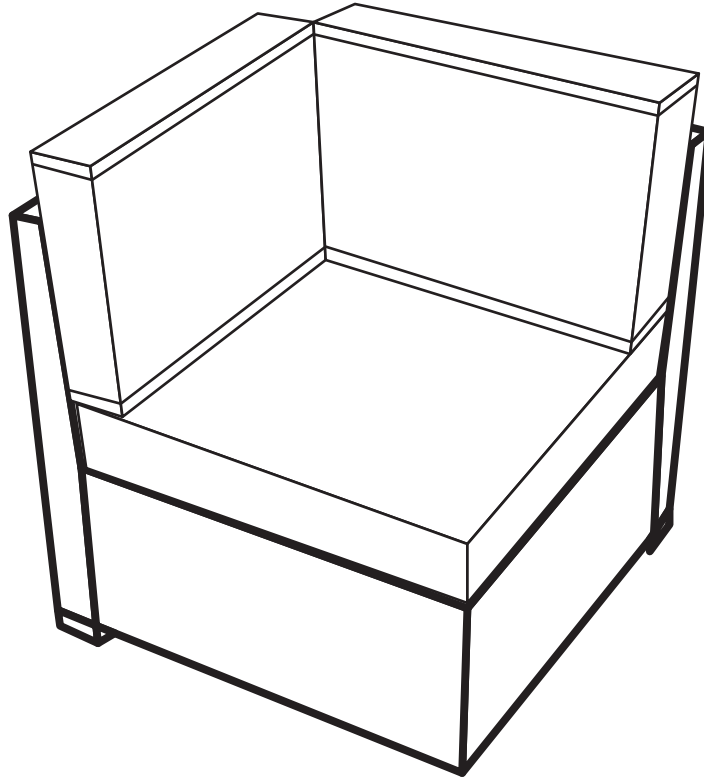


# Assembly Instructions



Assembly  
video



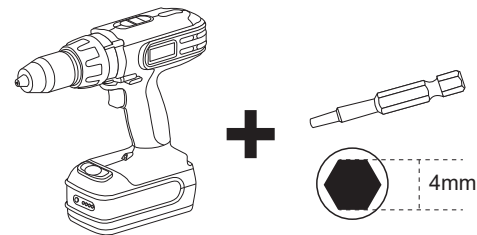
For any missing hardware, damaged parts and other problems.  
WELCOME to email us at: [service@behousewell.com](mailto:service@behousewell.com)

Or call at (1)833-474-1928 Toll free  
Between 9AM and 5PM Eastern time, Monday through Friday

**\*Don't fully tighten all the bolts till the very end!**

PRE-ASSEMBLY PREPARATION:

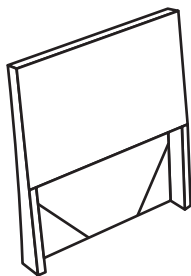
- A cordless drill is recommended for ease of assembly.
- Clear out the space for assembly and lay out all of the parts based on the Parts List, extra room will allow you to easily determine if all the pieces are present.
- Keep small parts and pieces away from children until fully assembled.



**M-CA**

Back

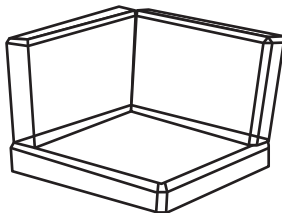
1 pc



**D**

Seat and  
back  
cushion

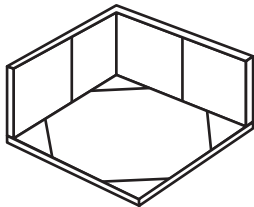
1 pc



**M-CB**

Seat

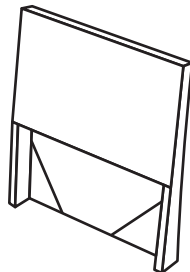
1 pc



**P**

Side back

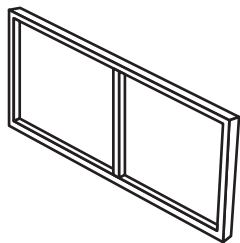
1 pc



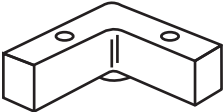


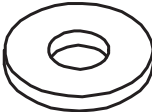




**M-C**

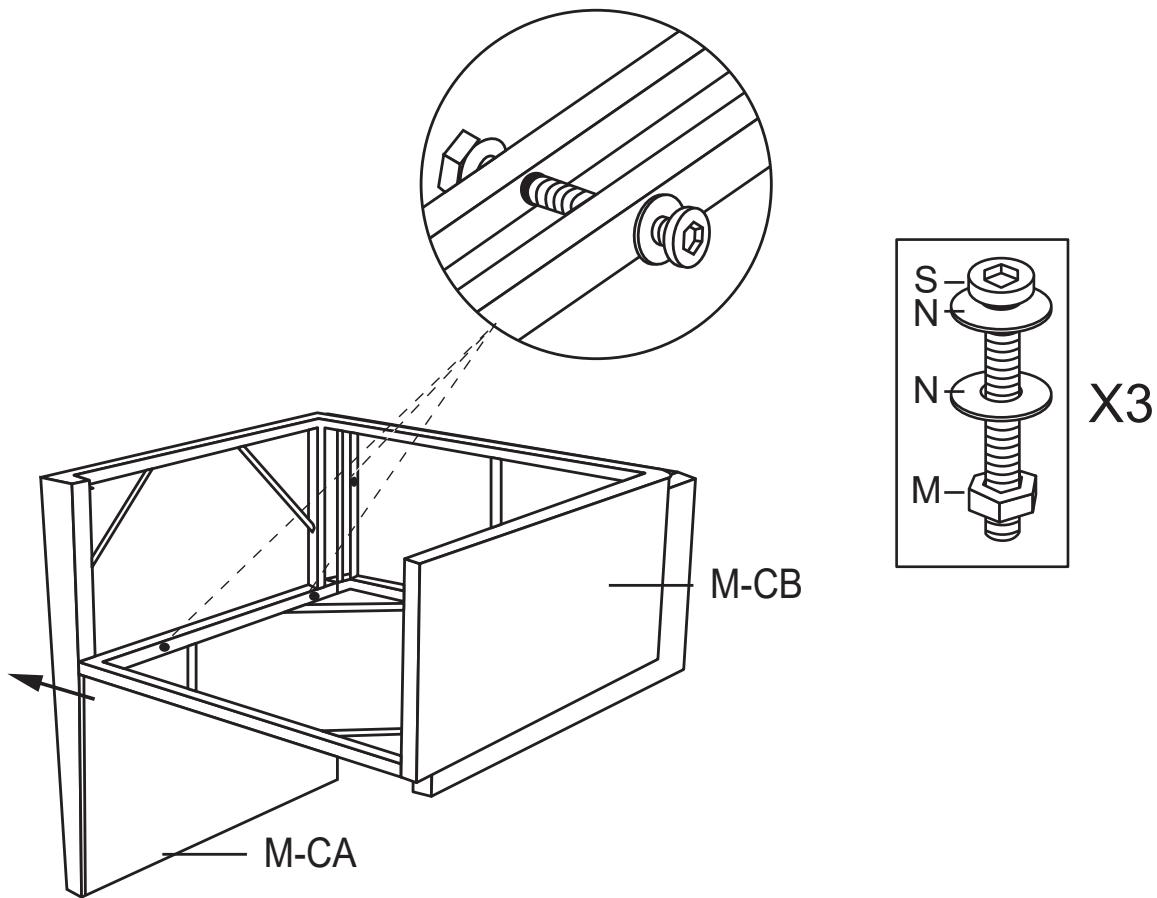
Side  
panel

1 pc

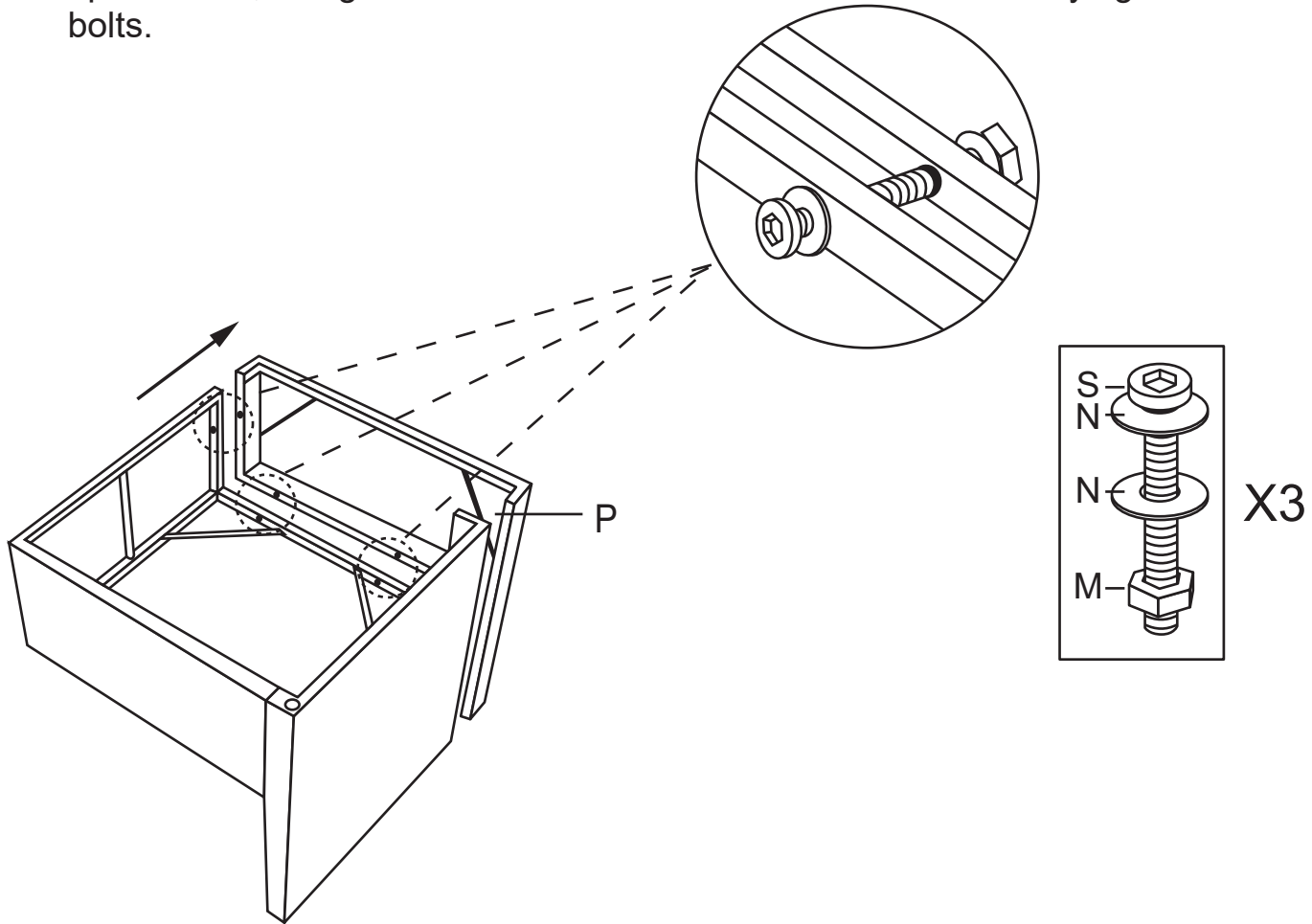


No.	Part/Size	QTY	Image	No.	Part/Size	QTY	Image
<b>S</b>	<b>Bolt</b> (M6*60mm)	<b>9</b>	<p style="text-align: center;">**Actual Scale</p> 				
<b>V</b>	<b>Bolt</b> (M6*35mm)	<b>3</b>	<p style="text-align: center;">**Actual Scale</p> 	<b>E</b>	<b>L-shape foot</b>	<b>4</b>	
<b>X</b>	<b>Bolt</b> (M6*25mm)	<b>8</b>	<p style="text-align: center;">**Actual Scale</p> 	<b>L</b>	<b>Allen wrench</b>	<b>1</b>	
<b>N</b>	<b>Washer</b> (M6)	<b>21</b>		<b>J</b>	<b>Wrench</b>	<b>1</b>	
<b>M</b>	<b>Nut</b>	<b>9</b>					

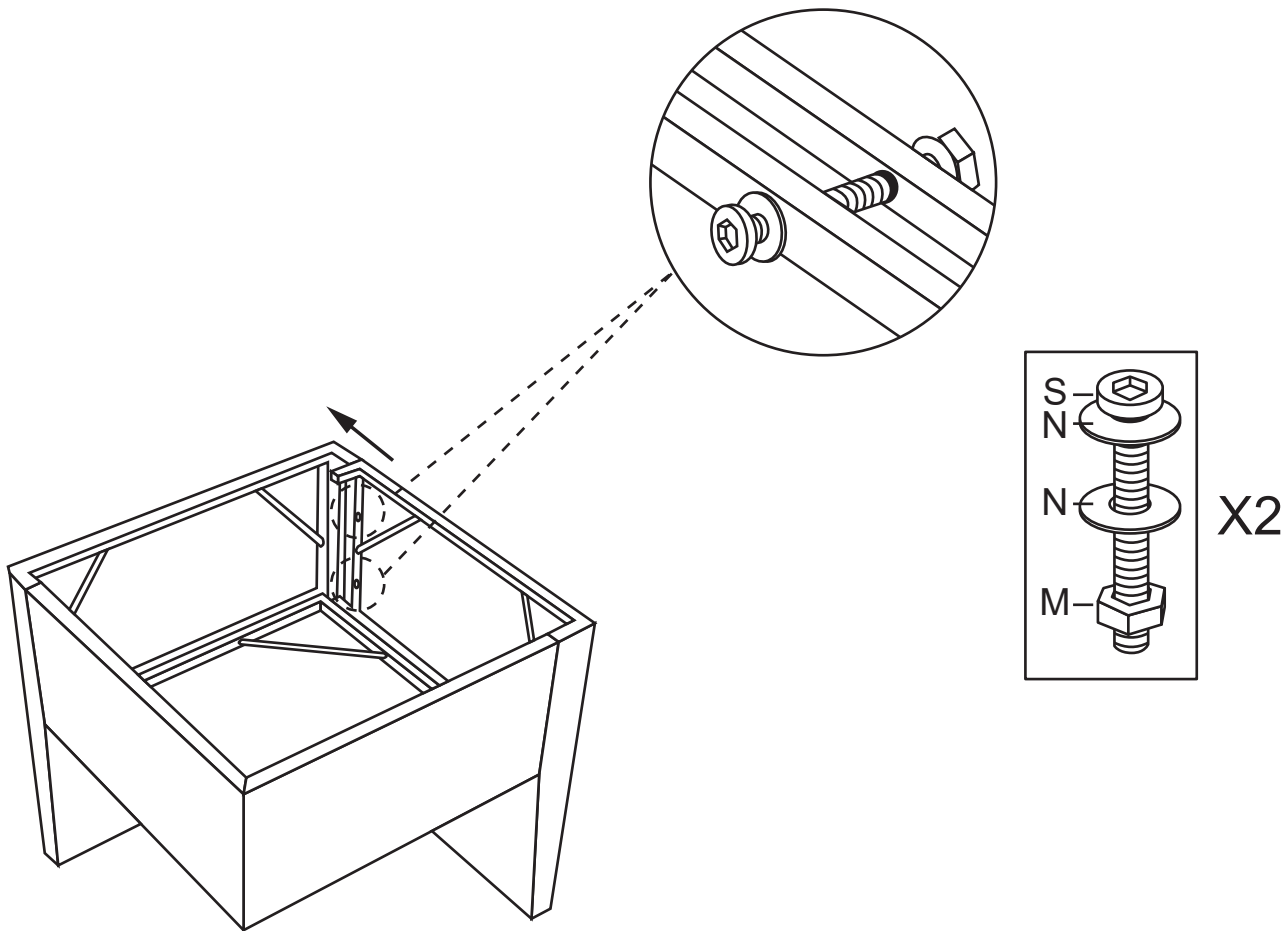
**Step 1:** Attach seat M-CB to back M-CA with 3pcs bolts S , 6pcs washers N and 3pcs Nut M ,using Allen wrench L and wrench J .Note:Don't fully tighten the bolts.



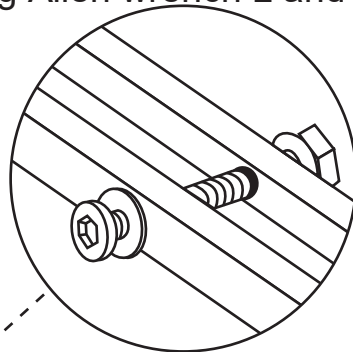
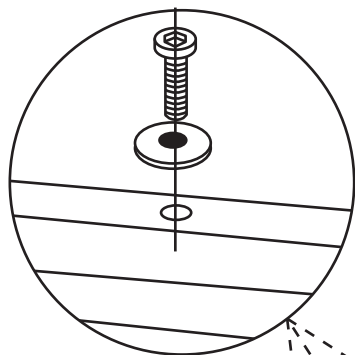
**Step 2:** Attach side back P to back and seat with 3pcs bolts S ,6pcs washers N and 3pcs nut M , using Allen wrench L and wrench J .Note:Don't fully tighten the bolts.



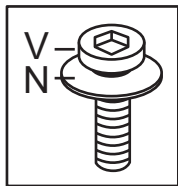
**Step 3:** Attach the side back P to back with 2pcs bolts S , 4pcs washers N and 2pcs nut M ,using Allen wrench L and wrench J .Note:Don't fully tighten the bolts.



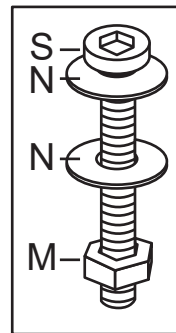
**Step 4:** Attach the side panel M-C to seat and side back with 3pcs bolts V, 1pcs bolts S, 4pcs washers N and 1pc nut M ,using Allen wrench L and wrench J .fully tighten all the bolts.



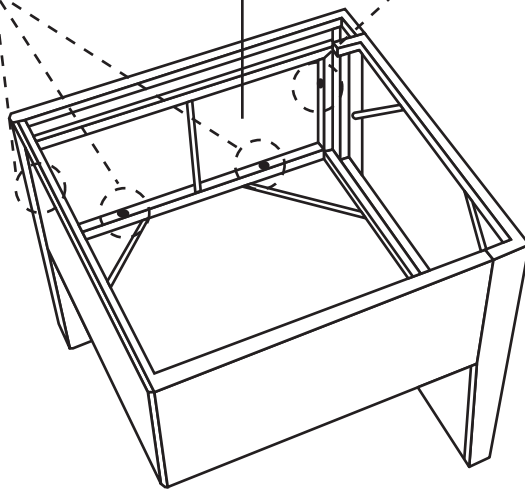
M-C



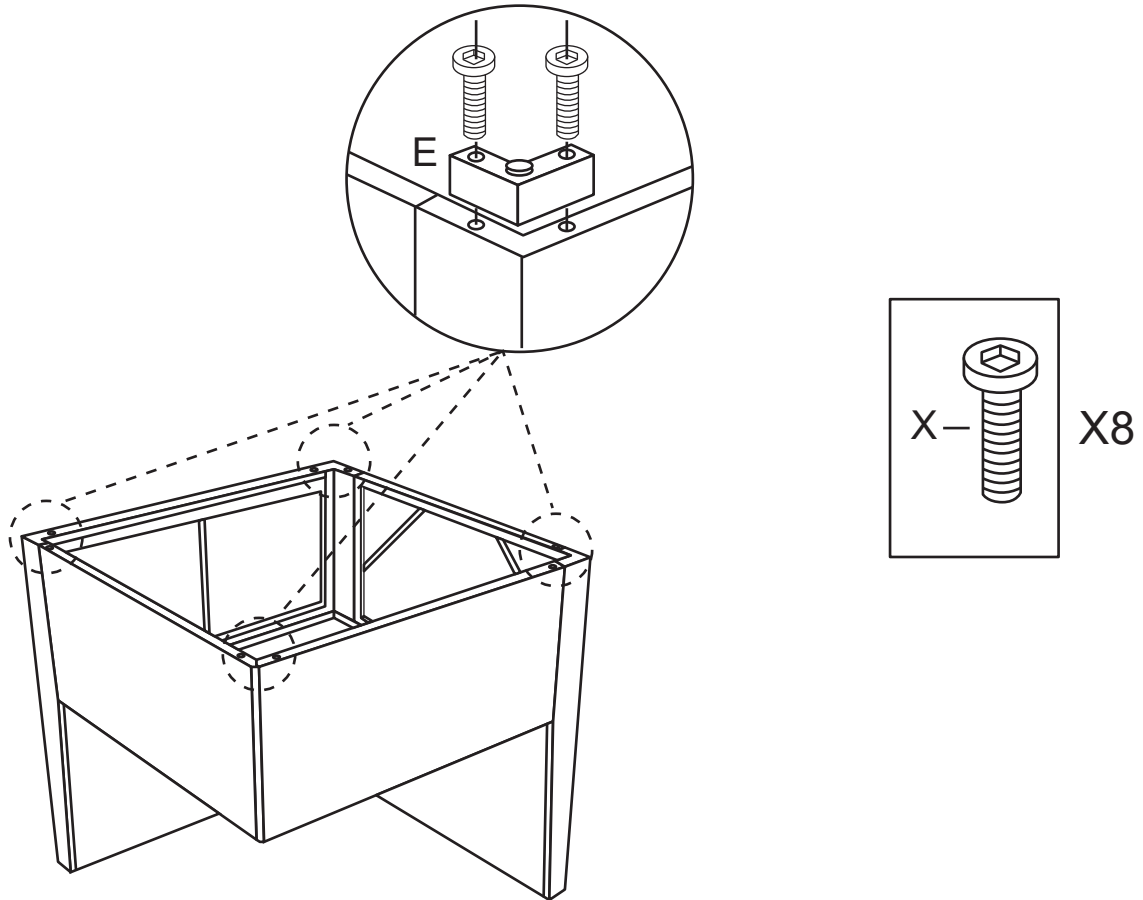
X3



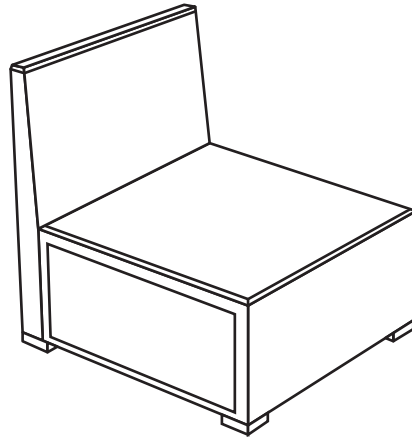
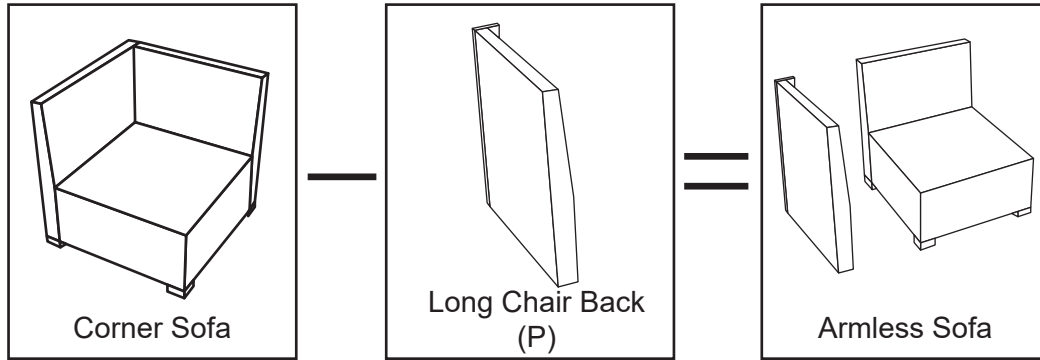
X1



**Step 5:** Attach 4 L-shape foot E to back and seat bottom with 8pcs bolt X , using Allen wrench L .fully tighten the bolts.



**Step 6:** Corner sofa can be turned into an armless sofa, first remove the armrest next to the side panel as picture shown, then take down the L shape foot and install them on the other side



Armless Sofa

Please tap the cushions and wait 48 to 72 hours to fully rebound

# Q & A:

**Q:** Frame drilling holes not align?

**A:** If discrepancy less than 1/8 in., please loosen other relative bolts first, then adjust parts position and re-tight all bolts.

if discrepancy more than 1/4 in., it should be parts deformation during violent transportation, please contact us for parts replacement.

**Q:** Why cushion shrink packing and how to help it rebound faster?

**A:** We shrink packing cushion is to improve product value to cost, because it can save transport cost a lot. We filled it with more and high-quality filling than normal cushion to make sure it can be fully rebound. Following up this video( <https://youtu.be/IZAIHQU9IaI> )method to speed up rebounding.

**Q:** Coffee table legs un-even?

**A:** Loosen bolts, then press table downwards, then tighten bolts again. If it can not solve problem, please contact us for parts replacement.

**Q:** Wicker colors different on parts?

**A:** We make wicker stripes to fit for nature environment, colors may various circularly. So when those wicker stripes hand-woven on product randomly, it may looks different on parts.

**Q:** Why some swivel plate not work well?

**A:** Swivel plate may need a running-in period like 10~20 cycles. If it still not swivel well, please contact us for swivel plate replacement.

**Q:** Bolts are not long enough for assembly sometimes?

**A:** Sometimes gaps maybe larger than the bolts to reach out when assembly, please contact us for longer bolts. After all, those parts are woven by hand-made. But after it assembled and all bolts tightened, the gaps will be disappeared, because wicker parts are flexible surface.

**Q:** Parts received damaged?

**A:** Although we had already did our best to pack products well, there are also unpredictable transport damages accident happened from time to time. When it happens, please contact our after-sales email, state the order number/which shopping platform it comes from/one of the parcel tracking number, and provide the relevant pictures of the problem, we will immediately provide you with a suitable replacement parcel.

**Q:**Received item but missing hardware or parts

**A:**Please contact our after-sales email, state the order number/which shopping platform it comes from/one of the parcel tracking number, and provide the relevant pictures of the problem, we will immediately provide you with a suitable replacement parcel.