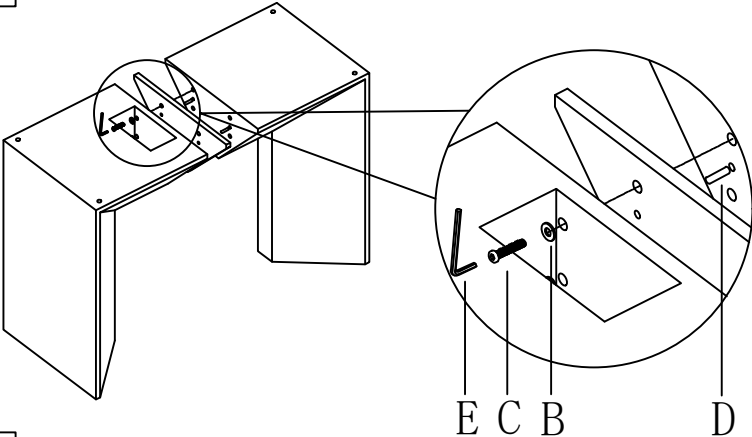
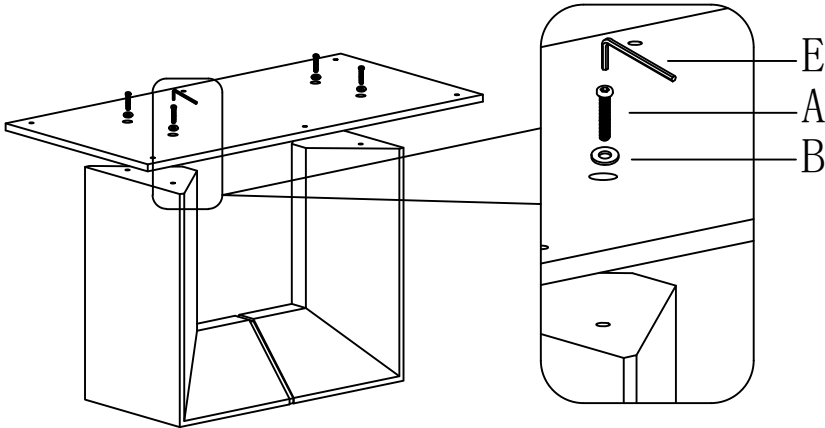


ASSEMBLY INSTRUCTION

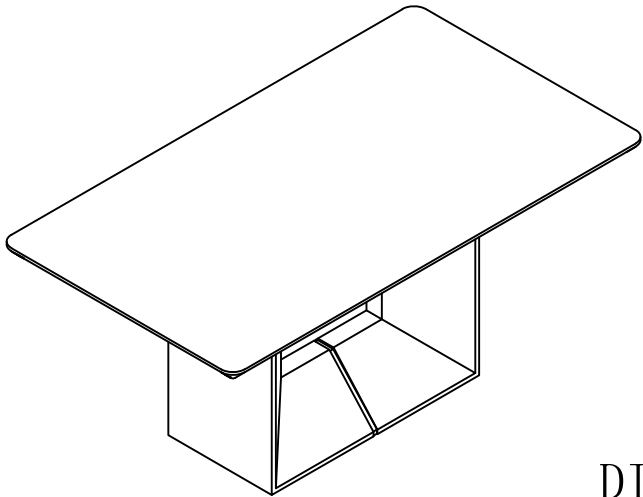
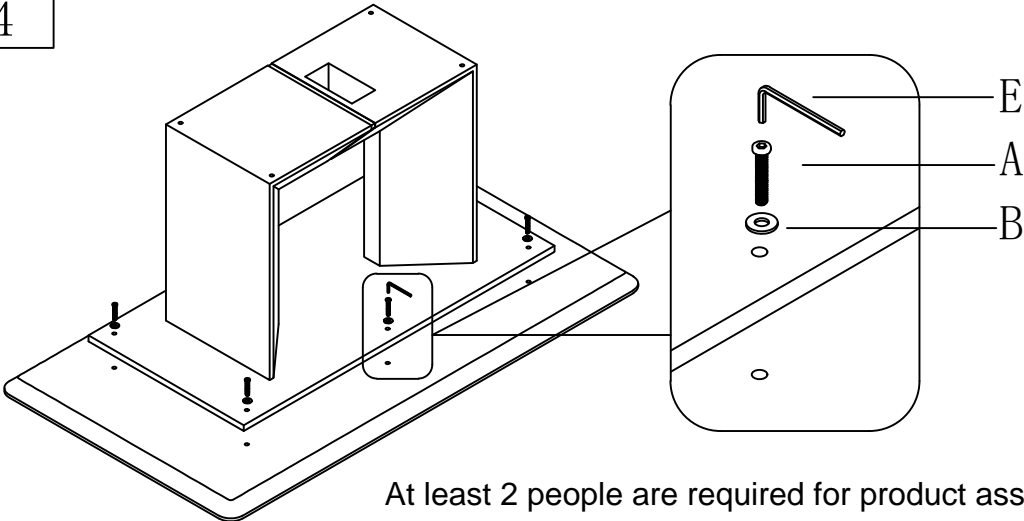
STEP1



STEP2




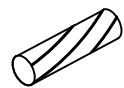
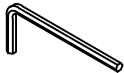


STEP4



At least 2 people are required for product assembly

DI-89

<p>A</p>  <p>M8*40mm 10pcs</p>	<p>B</p>  <p>14pcs</p>	<p>C</p>  <p>M8*65mm 4pcs</p>	<p>D</p>  <p>2pcs</p>
<p>E</p>  <p>1pc</p>			