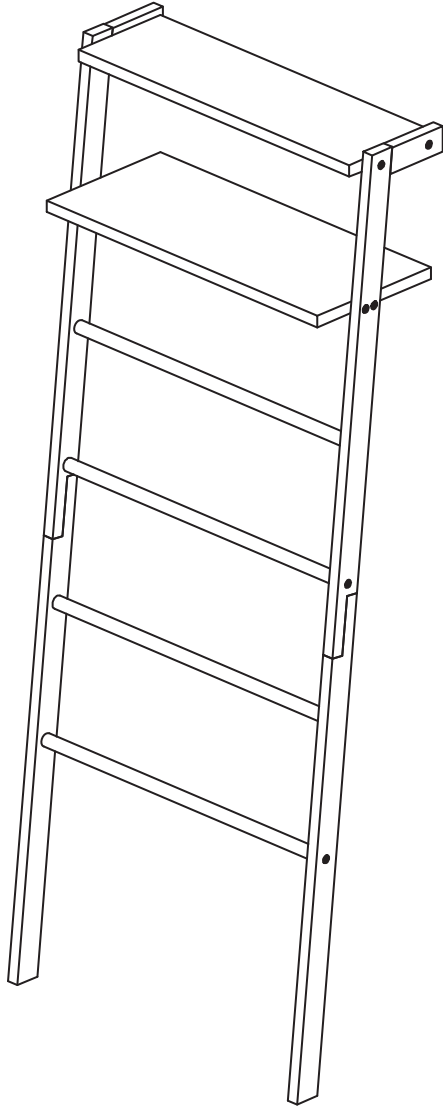


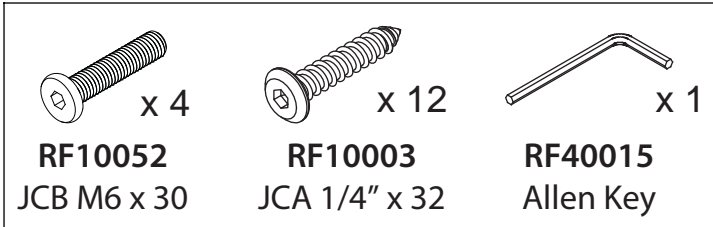
Assembly Instruction

Item# 117-8X

Space Saving 100% Solid Wood 6-Tier Blanket Ladder with Two Storage Shelves



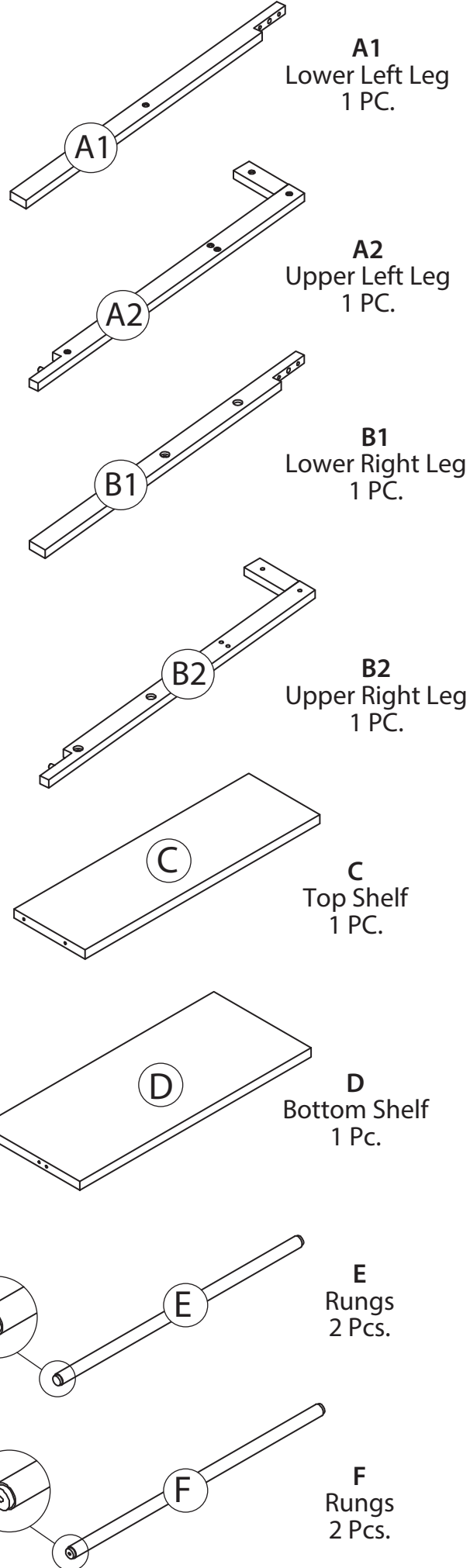
List of Hardware

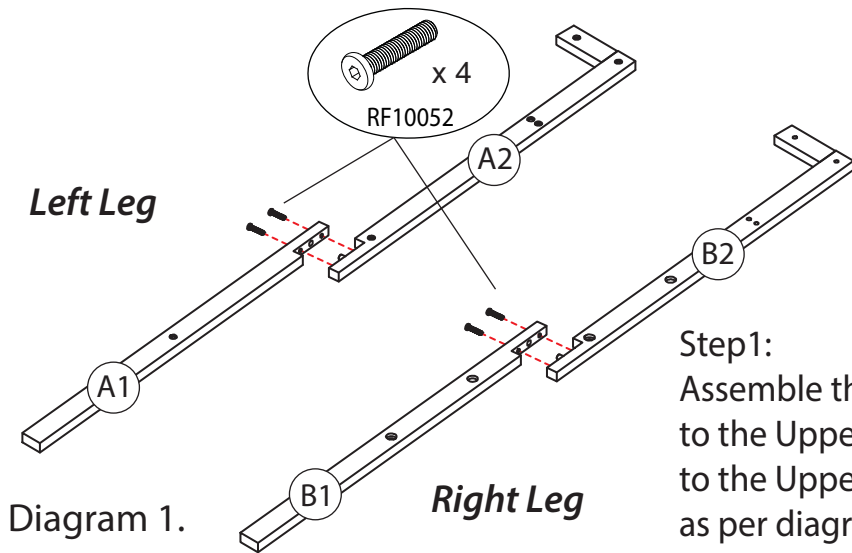


Anti-Tipping



Parts List





Step 1:

Assemble the Leg by attaching Lower Left Leg (A1) to the Upper Left Leg (A2) and Lower Right Leg (B1) to the Upper Right Leg (B2) using 4 screws (RF10052), as per diagram 1.

Diagram 1.

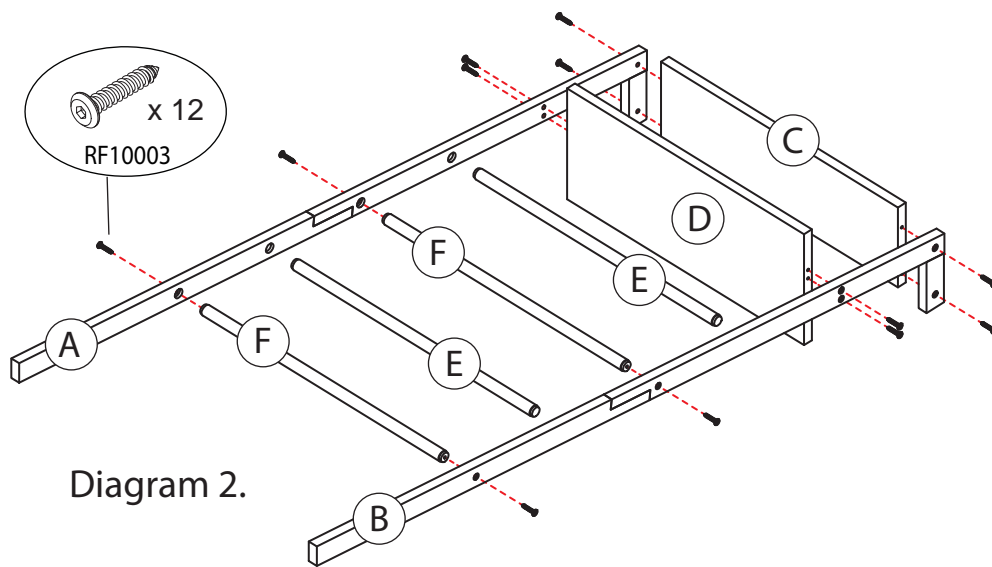


Diagram 2.

Step 2:

Attach Left Leg (A), Right Leg (B), Top Shelf (C), Bottom Shelf (D), 2 Rungs (E) and 2 Rungs (F) together by using 12 Screws (RF10003) as per diagram 2.

Anti-Tipping

To secure the shelf to the wall, attach Metal Plate (RF40214) to the bottom of the second shelf using screws P6x5/8" (RF10080), and to the studs in the wall using P6x1 1/4" (RF10103), as per diagram 3.

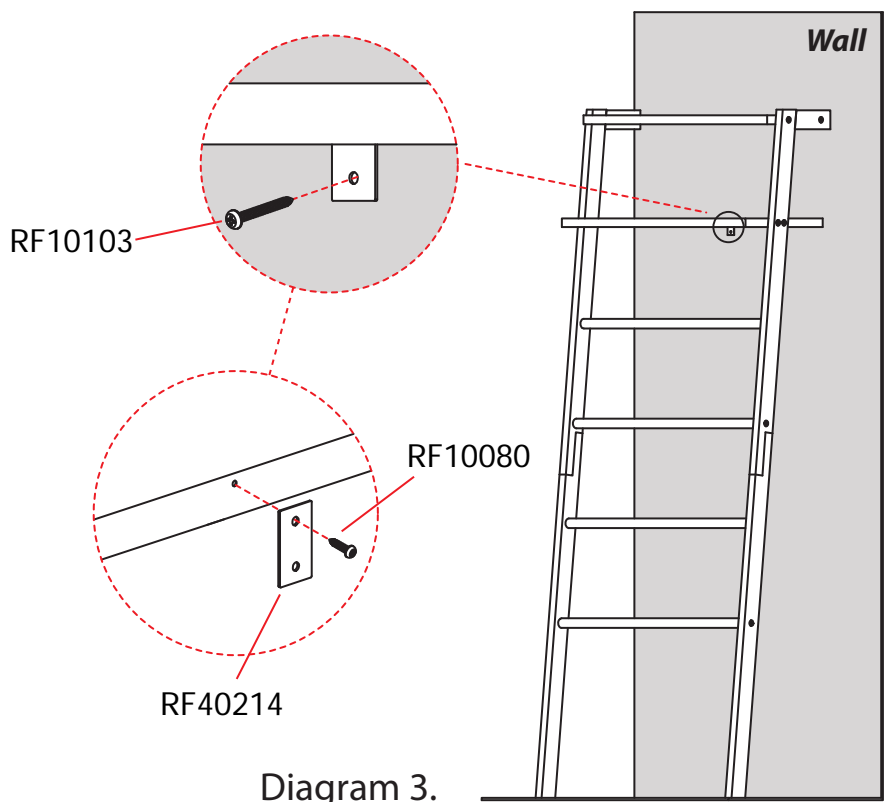


Diagram 3.