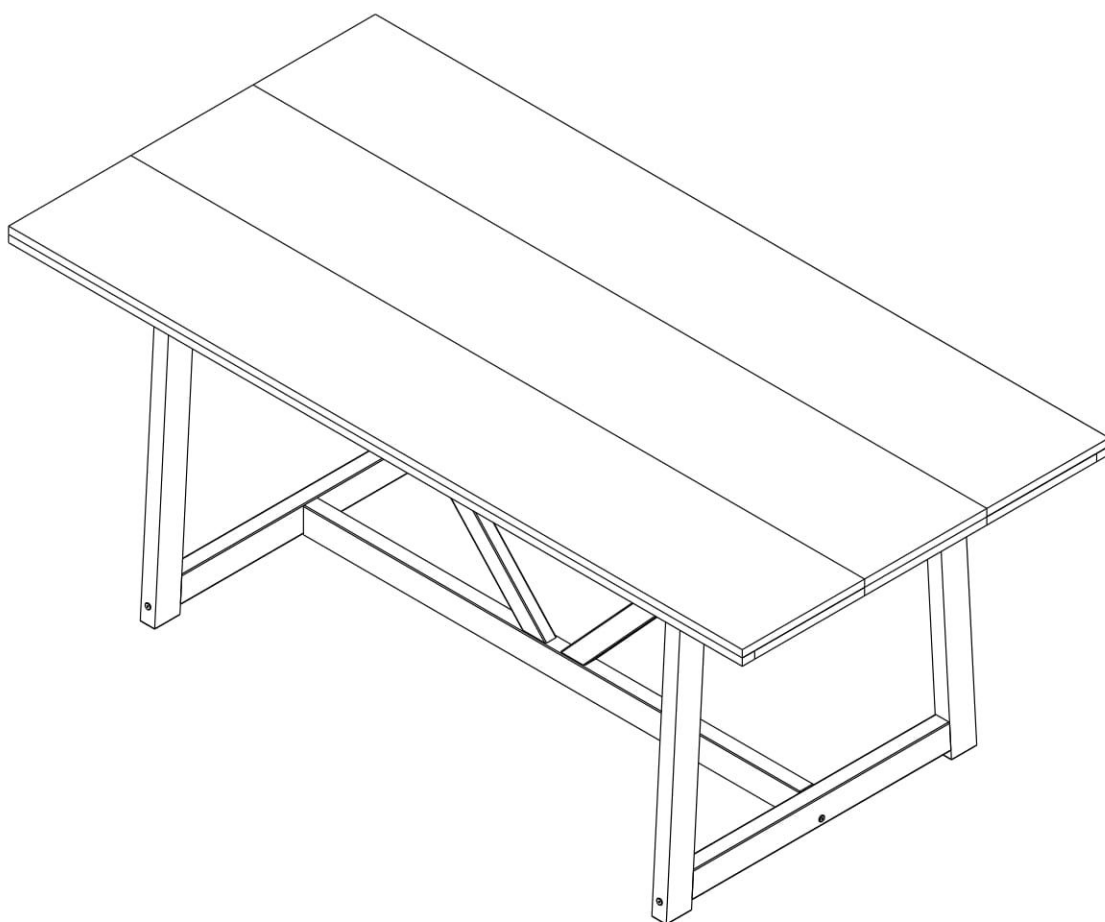
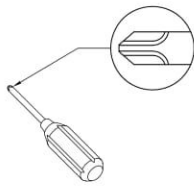


Assembly Instruction

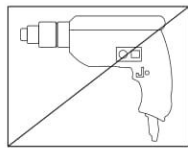


General Assembly Guidelines

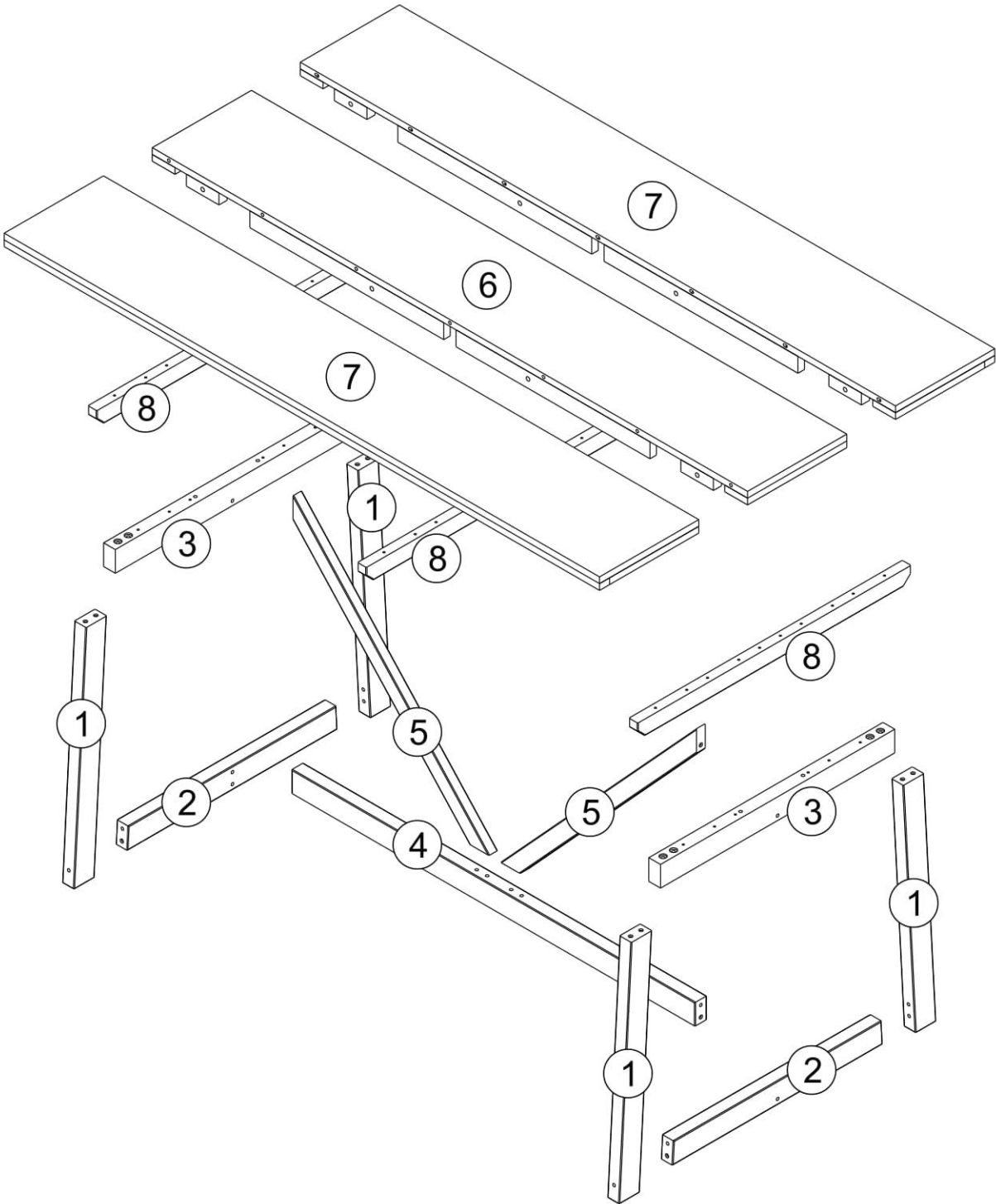
- I. Ensure that all parts and hardware are available before beginning assembly.
- II. Follow each step carefully to ensure the proper assembly of this product.
- III. Two people are recommended for ease in the assembly of this product.
- IV. The three main types of hardware used to assemble this product are : wood dowels , screws and bolts.
- V. A Phillips head screwdriver is required for the assembly of this product .









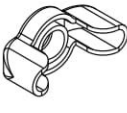
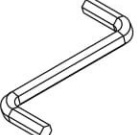

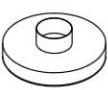
- VI. Power tools should not be used to assemble this product .

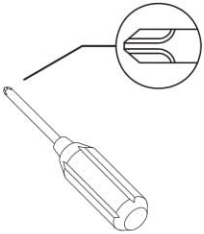


Parts List



Hardware List

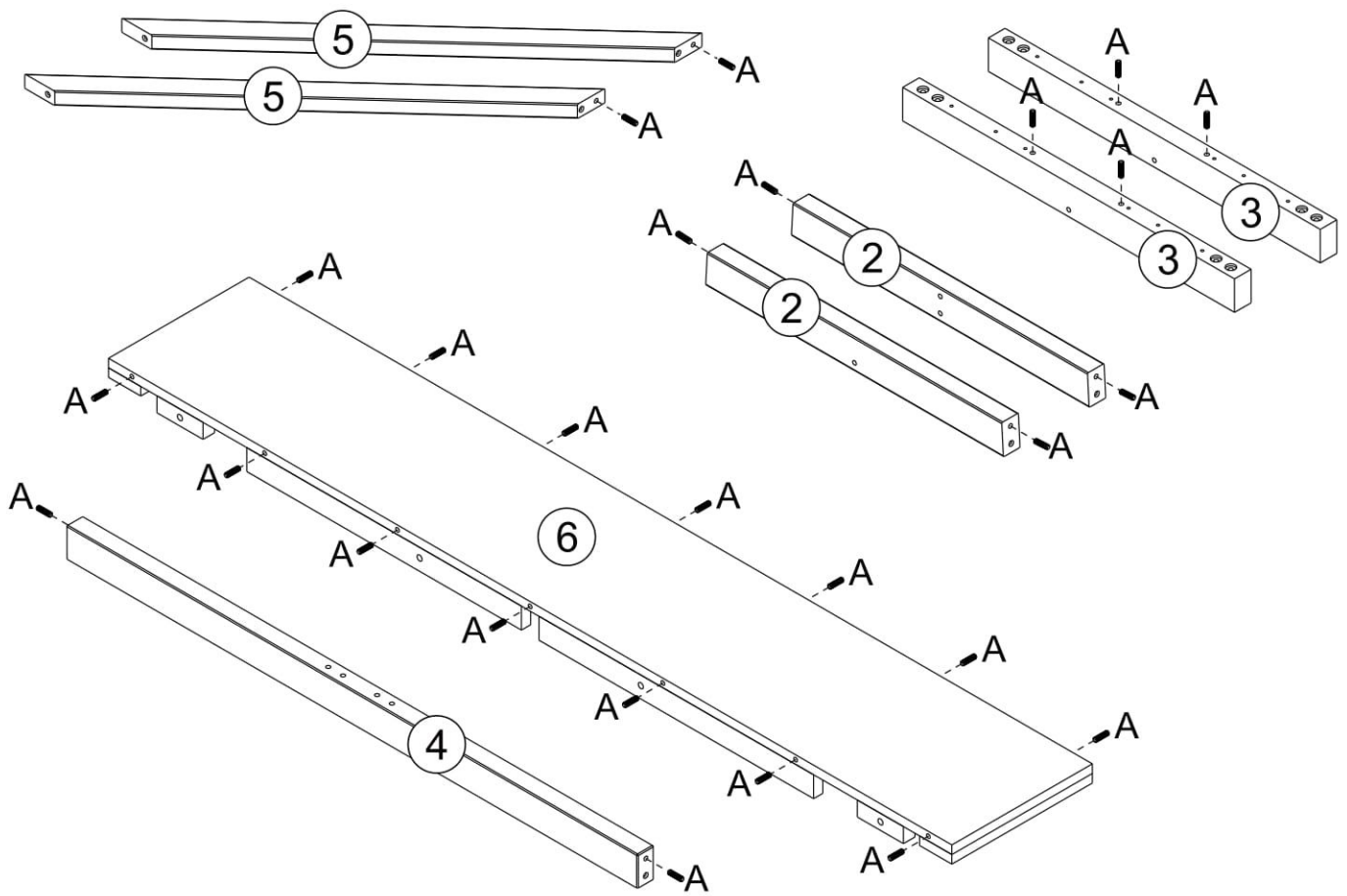
A		Ø8x30 mm	Wood dowel	26 pcs
B		Ø7x100mm	Bolt	14 pcs
C		Ø7x70mm	Bolt	04 pcs
D		Ø1/4"x60mm	Bolt	08 pcs
E		Ø4x50mm	Screw	12 pcs
F		Ø4x40mm	Screw	30 pcs
G			Screw nut	08 pcs
H		M4	Hex key	01 pcs
I			Washer	08 pcs
J			Plastic foot	04 pcs



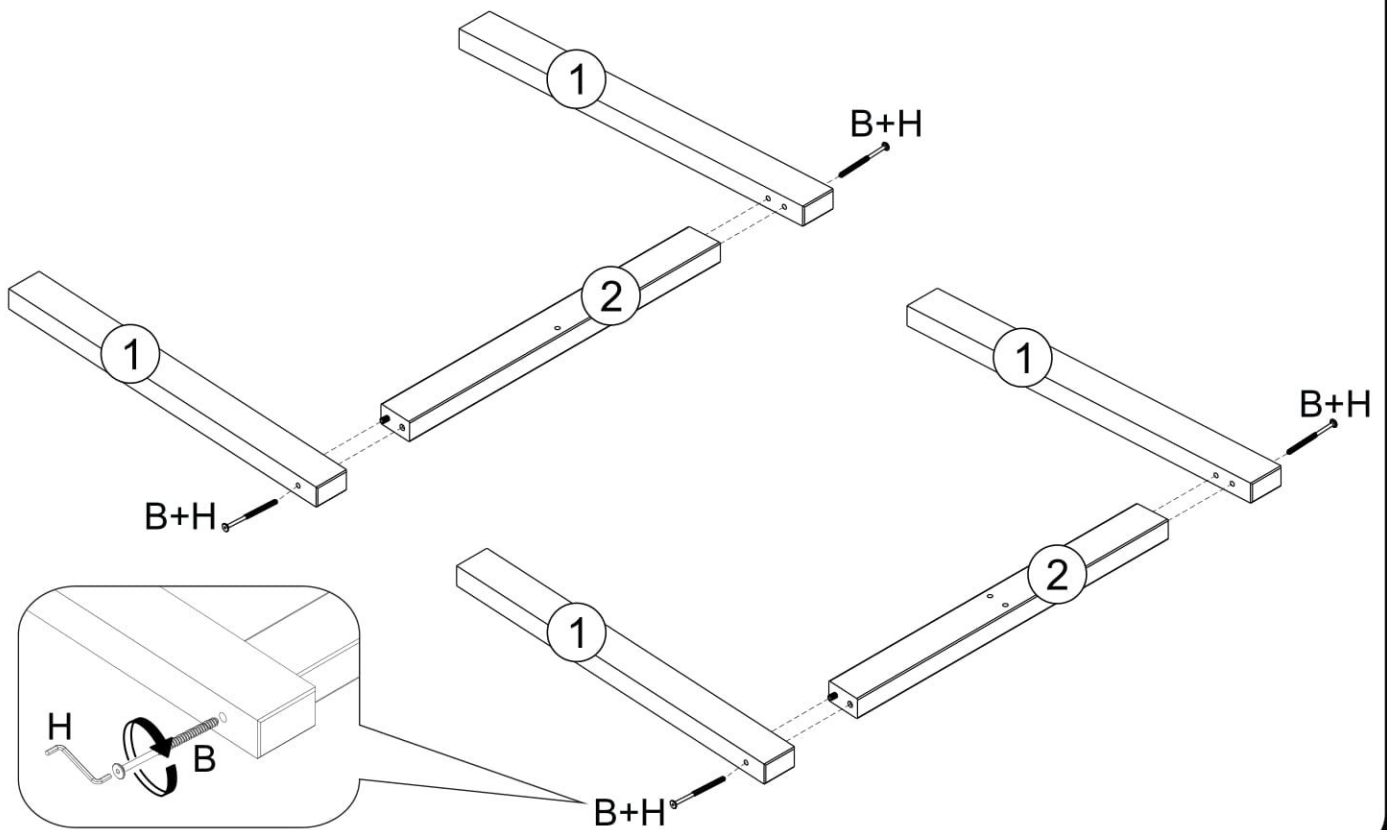
Philips head screwdriver required for assembly
(not included)

*The hardware quantities listed above are required for proper assembly.
Some extra hardware may also have been included.*

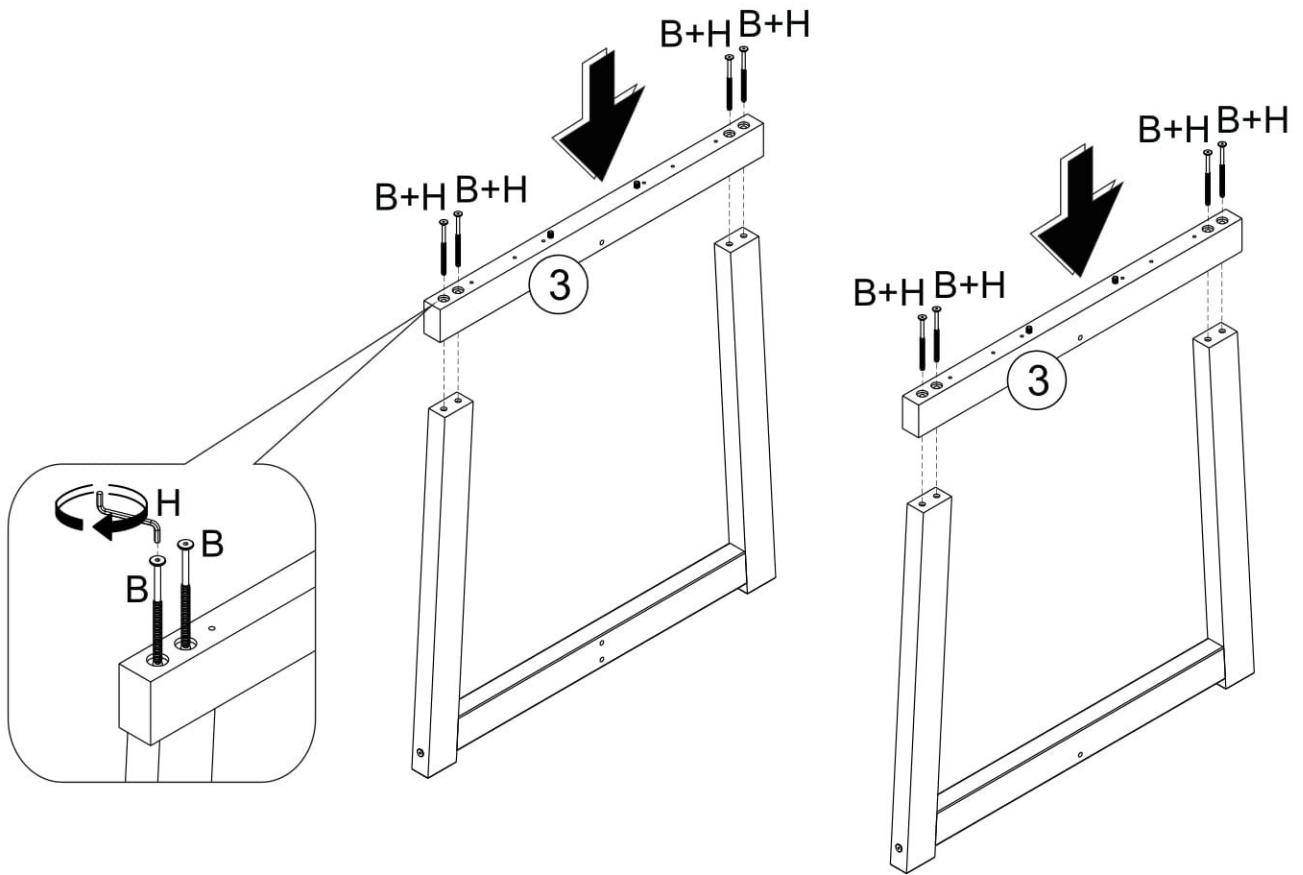
Step 1



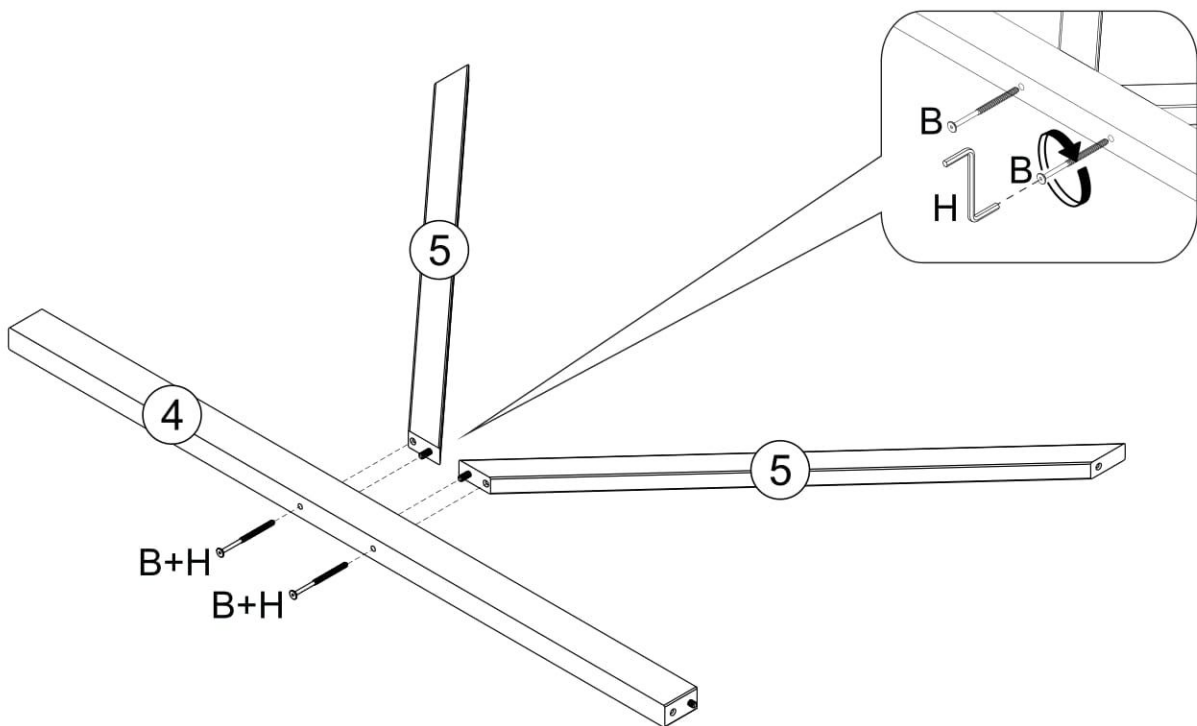
Step 2



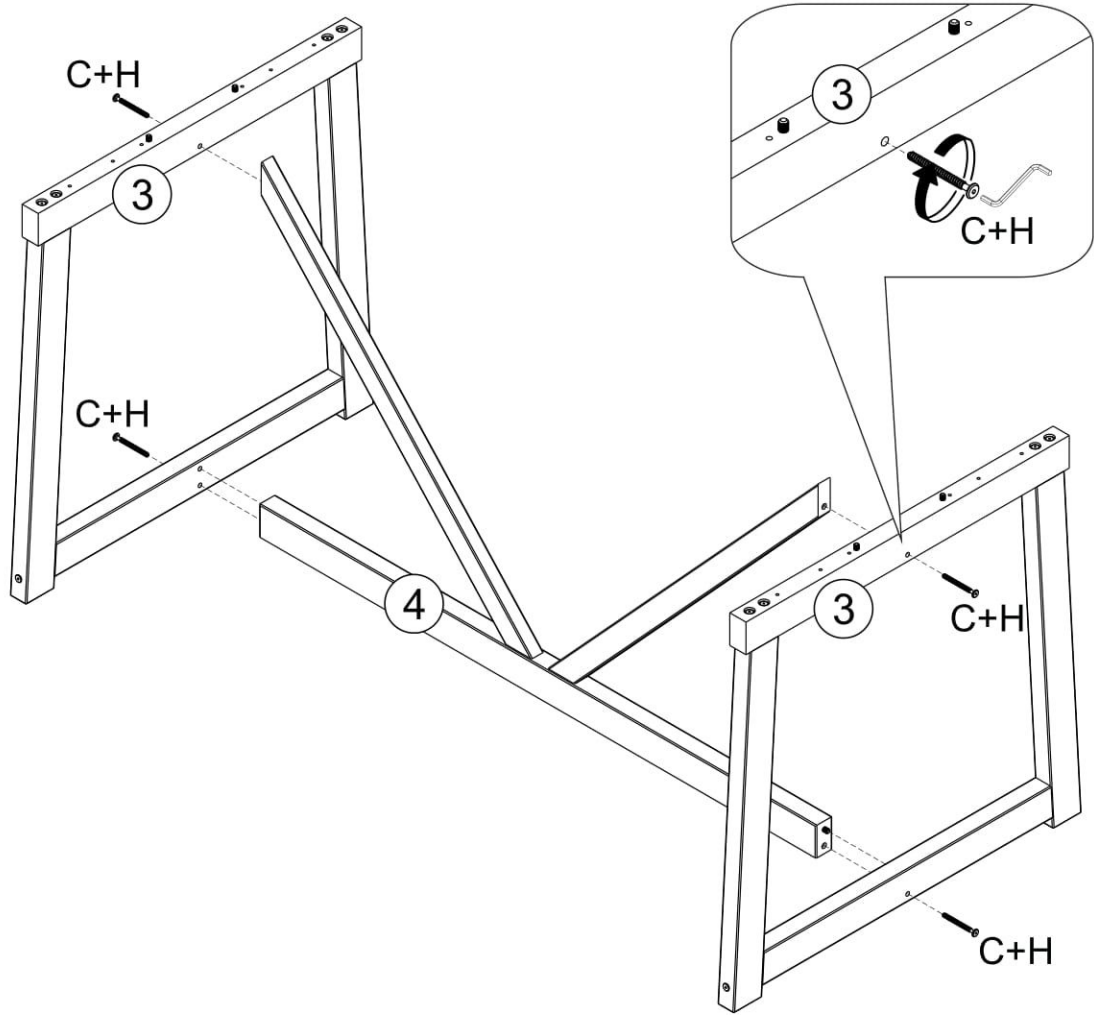
Step 3



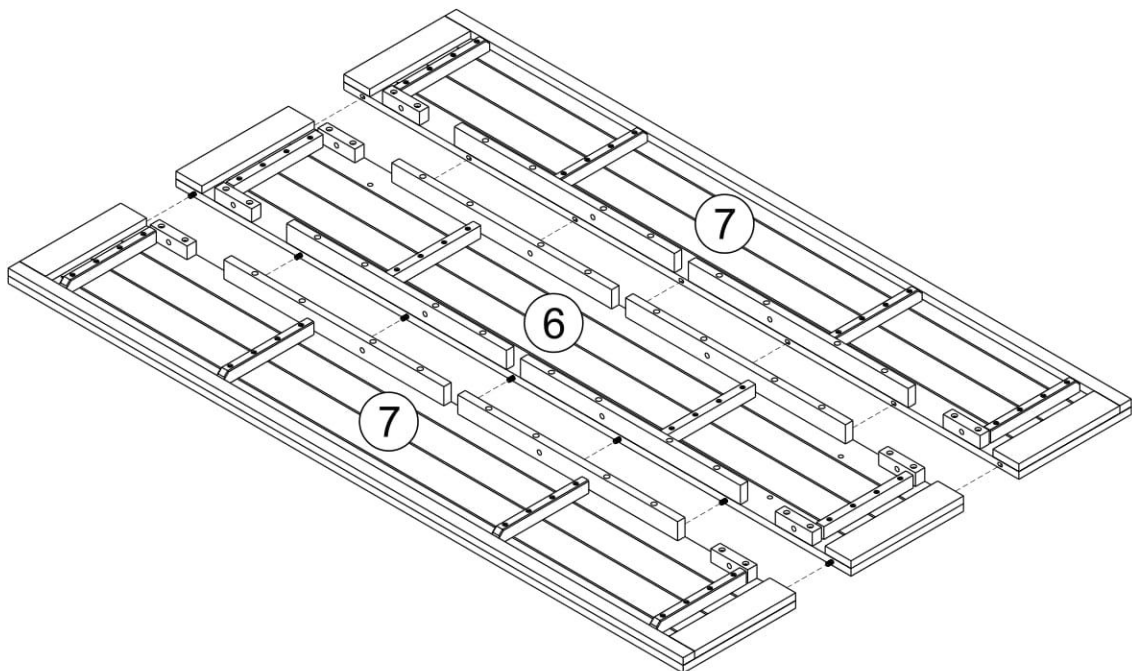
Step 4



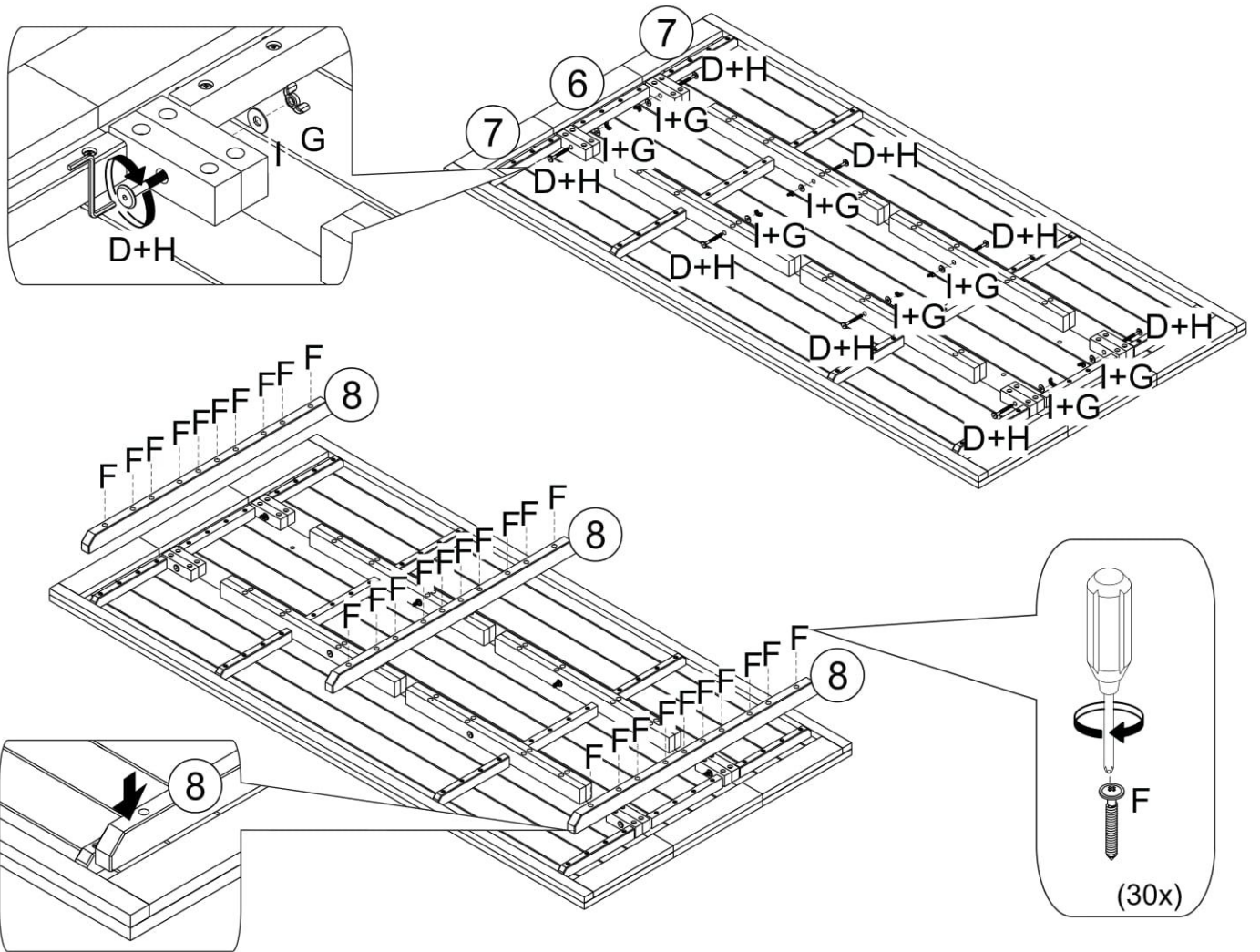
Step 5



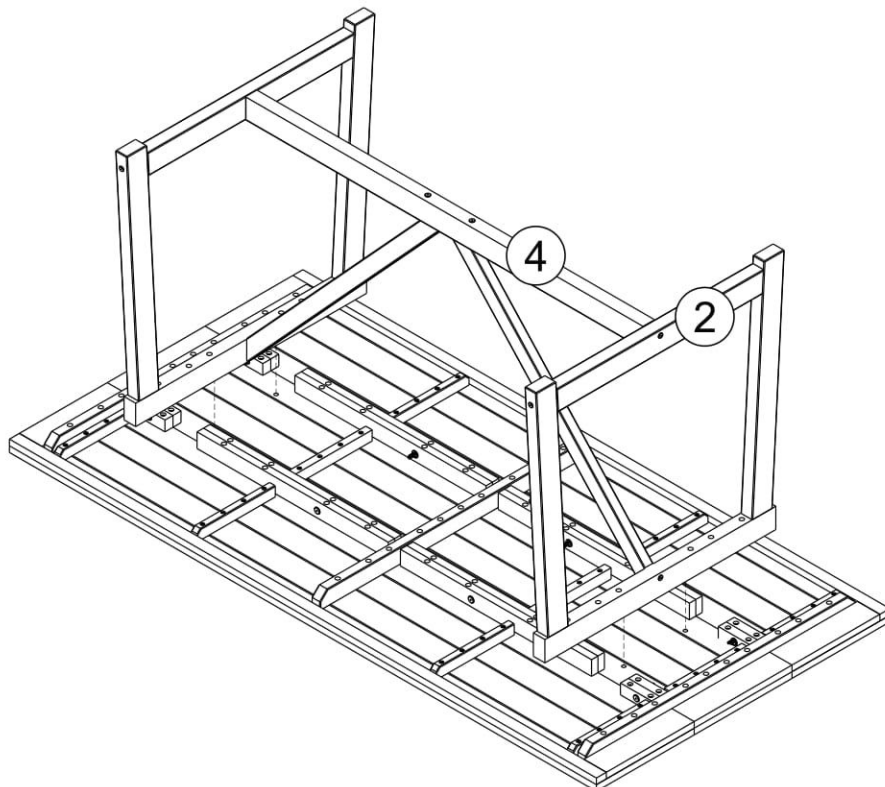
Step 6



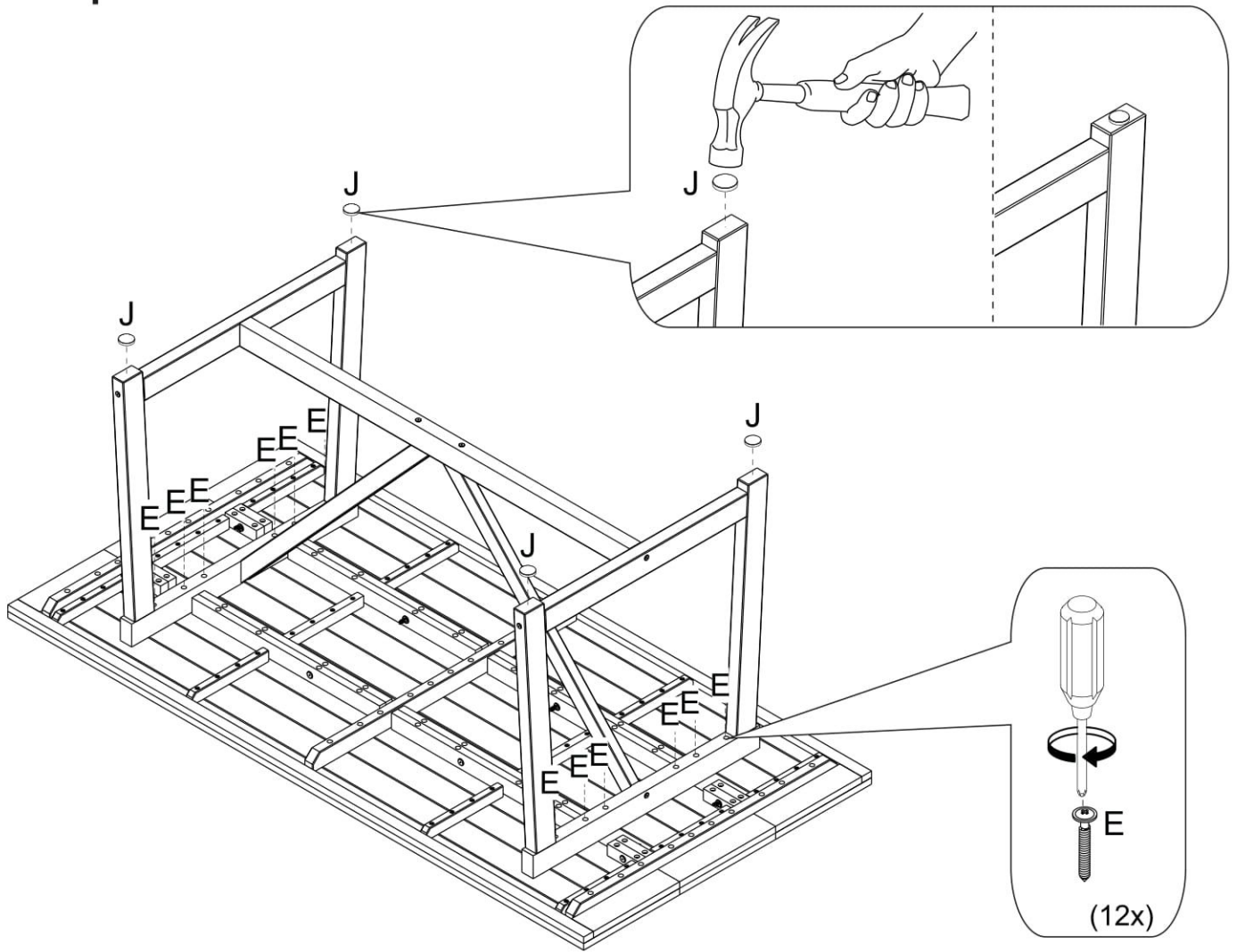
Step 7



Step 8



Step 9



Step 10

