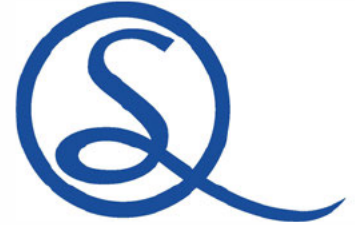
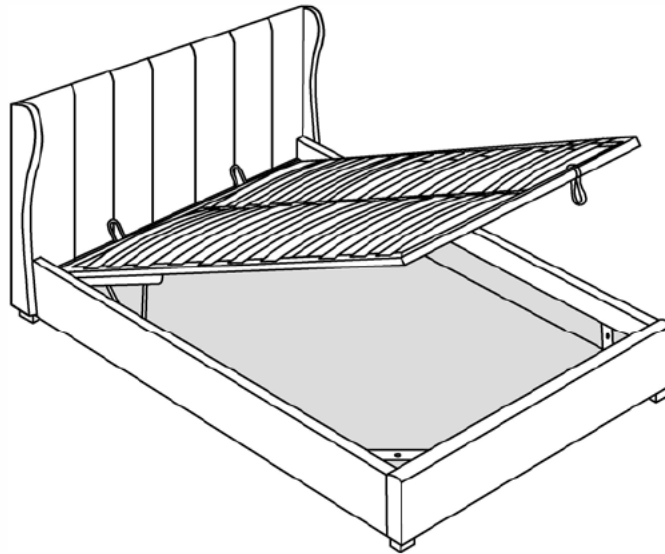


4'6" PLUS BED ASSEMBLY INSTRUCTIONS



FOR DOMESTIC USE ONLY IMPORTANT

PLEASE READ BEFORE YOU CONTINUE FURTHER

THE PRODUCT YOU HAVE PURCHASED WILL GIVE YOU MANY YEARS OF SERVICE IF YOU FOLLOW THE GUIDELINES FOR ITS SAFE ASSEMBLY AND PERIODIC MAINTENANCE AND CLEANING.

ASSEMBLE ON A SOFT CLEAN SURFACE.

DO NOT USE ANY TOOLS OTHER THAN THOSE SHOWN.

ANY SPANNERS OR ALLEN KEYS REQUIRED ARE INCLUDED WITH THE FITTINGS KIT.

DO NOT FOR ANY REASON USE A POWER TOOL TO ASSEMBLE THIS PRODUCT . ITS USE WILL INVALIDATE ANY CLAIM YOU MAY HAVE AND COULD MAKE THIS PRODUCT UNSAFE.

DEPENDING ON THE AMOUNT OF USE THIS PRODUCT RECEIVES IT MAY BE NECESSARY TO TIGHTEN UP THE FIXINGS FROM TIME TO TIME. THIS IS COMPLETELY NORMAL FOR ANY FLAT PACK FURNITURE.

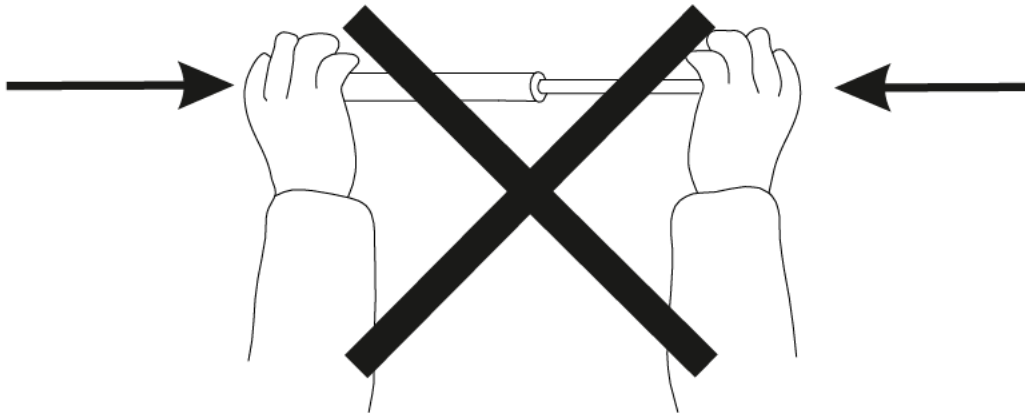
FOR CLEANING YOU MAY USE A DAMP CLOTH(NOT WET). DO NOT USE POLISH,DETERGENT OR CHEMICAL CLEANERS.

THIS PRODUCT MAY STAIN OR MARK IF ALLOWED TO COME INTO CONTACT WITH WET OR DAMP OBJECTS AS MATERIALS USED HAVE NOT BEEN SCOTCH GUARDED.

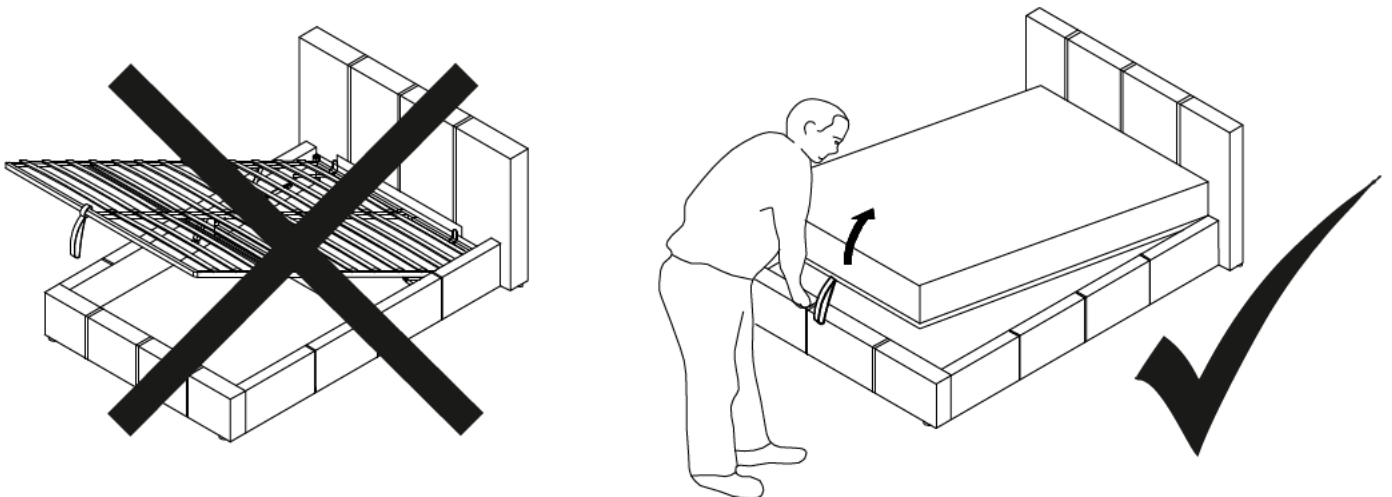
THE SURFACE OF THIS ITEM IS NOT HEAT RESISTANT, ALWAYS USE A PLACE MAT UNDER **HOT** OR COLD ITEMS. PREVENT MARKING

Important information!

The gas lifts used in the construction of this product are extremely strong and cannot be operated by hand when not fitted to the ottoman hinges. All gas lifts are tested in the factory for correct pressure and operation before use.



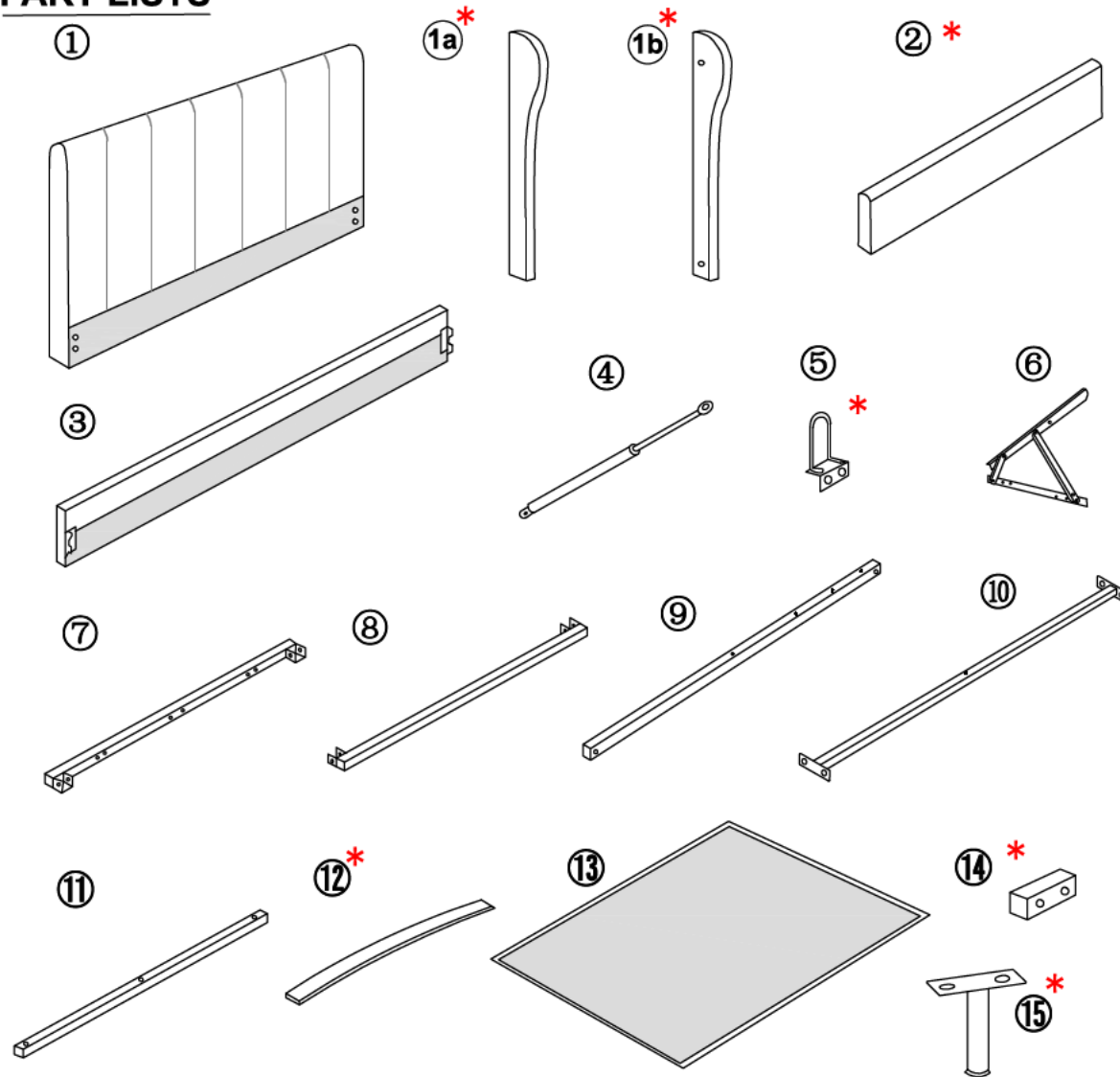
You must ensure the **MATTRESS** is on the bed frame before lifting the mechanism.
FAILURE TO DO SO MAY RESULT IN INJURY.



Initially it might appear that the gas lifts are very stiff when opening and closing the ottoman frame, **THIS IS NORMAL.**

After operating the ottoman a few times, the movement of the gas lifts and the opening and closing of the ottoman will become easier.

PART LISTS



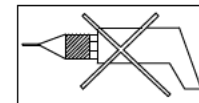
Carton 1		
1	Headboard	1 PC
1a	Left Wing	1 PC
1b	Right Wing	1 PC
2	Footboard	1 PC
5	Mattress Support	2 PCS
12	Wooden Slat	26 PCS
13	Velcro Base Sheet	1 PC
14	Base Support Bar	1 PC
15	Centre Support Leg	2 PCS

Carton 2		
3	Siderail (Left&Right)	2 PCS
4	Gas Lift	2 PCS
6	Hinge Left & Right	2 PCS
7	Base Front Bar	1 PC
8	Base Back Bar	1 PC
9	Base Side Bar	2 PCS
10	Base Centre Bar	1 PC
11	Centre Cross Bar	1 PC

PLEASE CHECK THAT YOU HAVE ALL THE PARTS LISTED BEFORE YOU START ASSEMBLING. IF YOU DO FIND THAT SOMETHING IS MISSING, DO NOT CONTINUE ASSEMBLY. PLEASE CONTACT YOUR SUPPLIER IMMEDIATELY.

ITEMS MARKED WITH * ARE STORED WITHIN THE HEADBOARD FOR TRANSPORTATION, SEE STEP 1

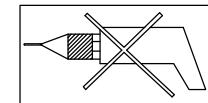
USE OF POWER TOOLS TO ASSEMBLE THIS PRODUCT WILL INVALIDATE ANY CLAIM AND DAMAGE THIS PRODUCT MAKING IT UNSAFE.



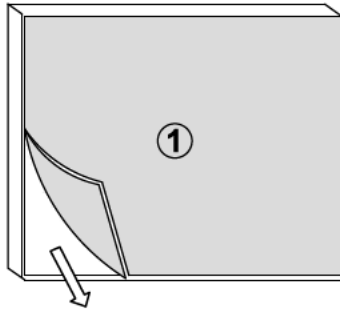
HARDWARE LIST (LOCATED WITHIN CARTON 1)

A		5/16 x 60mm Bolt	3 pcs	J		Plastic Centre Cap	13 pcs
B		5/16 x 45mm Bolt	18 pcs	K		Plastic End Cap	26 pcs
C		1/4 x 15mm Bolt	16 pcs	L		M6 Allen Key	1 pc
D		1/4 x 20mm Bolt	14 pcs	M		M8 Allen Key	1 pc
E		5/16 x 25mm Bolt	8 pcs	N		Spanner	1 pc
F		M8 Washer	36 pcs	O		Corner Bracket	2 pcs
G		Nut	15 pcs	P		100 x 25mm EVA Pad	4 pcs
H		Adjustable Feet	4 pcs	<p>PLEASE CHECK THAT YOU HAVE ALL THE PARTS LISTED BEFORE YOU START ASSEMBLING. IF YOU DO FIND THAT SOMETHING IS MISSING, DO NOT CONTINUE ASSEMBLY. PLEASE CONTACT YOUR SUPPLIER IMMEDIATELY.</p>			
I		Base Lift Strap	1 pc				

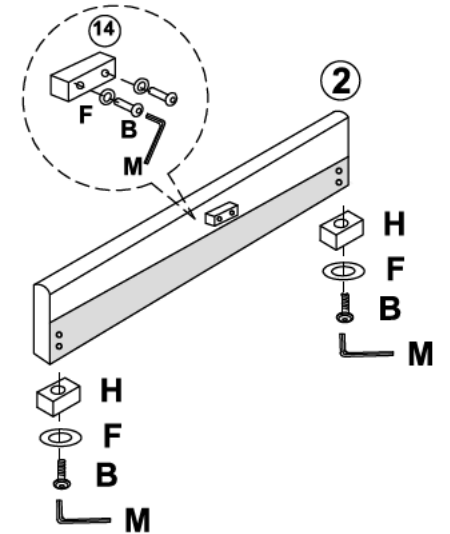
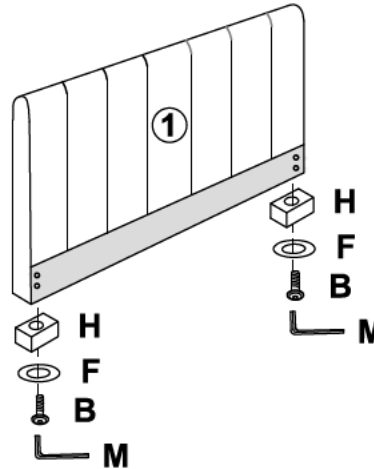
USE OF POWER TOOLS TO ASSEMBLE THIS PRODUCT WILL INVALIDATE ANY CLAIM AND DAMAGE THIS PRODUCT MAKING IT UNSAFE.





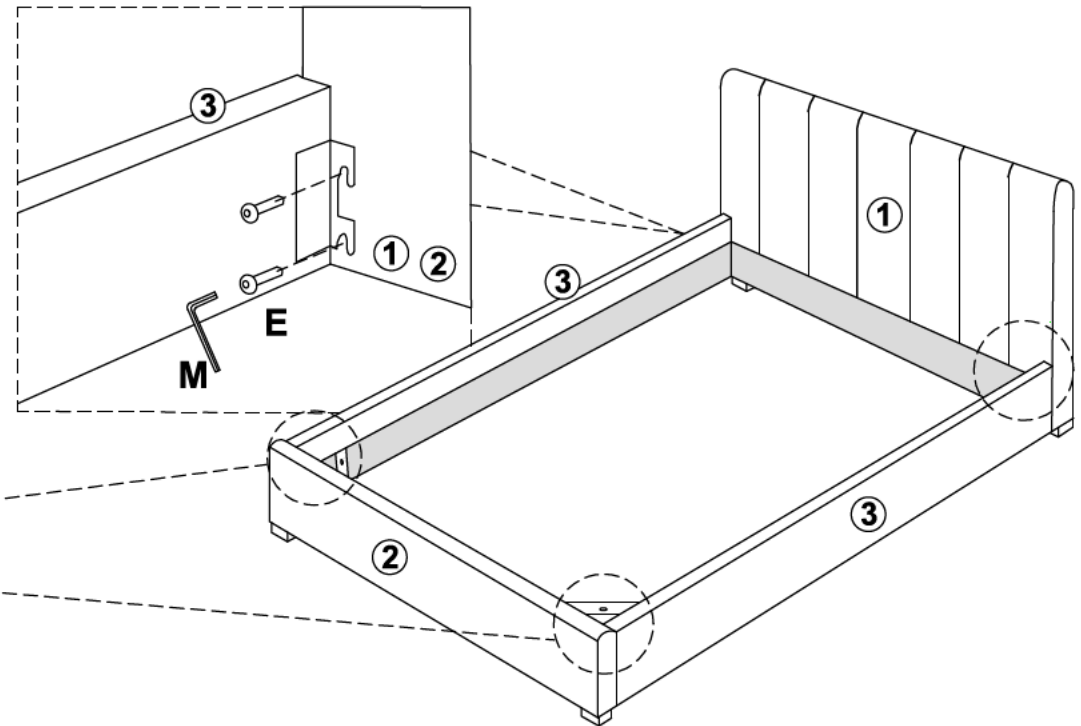
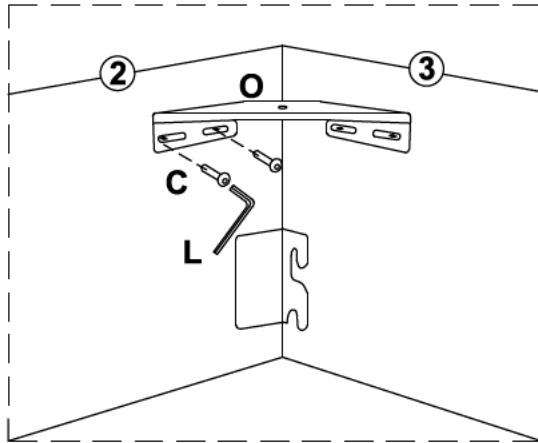
STEP 1  B x 6pcs  F x 6pcs  H x 4pcs



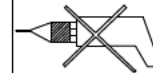
Flip up the non woven fabric on the back of headboard and take out the wings & wooden slats.

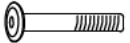



STEP 2  E x 8pcs
 C x 8pcs

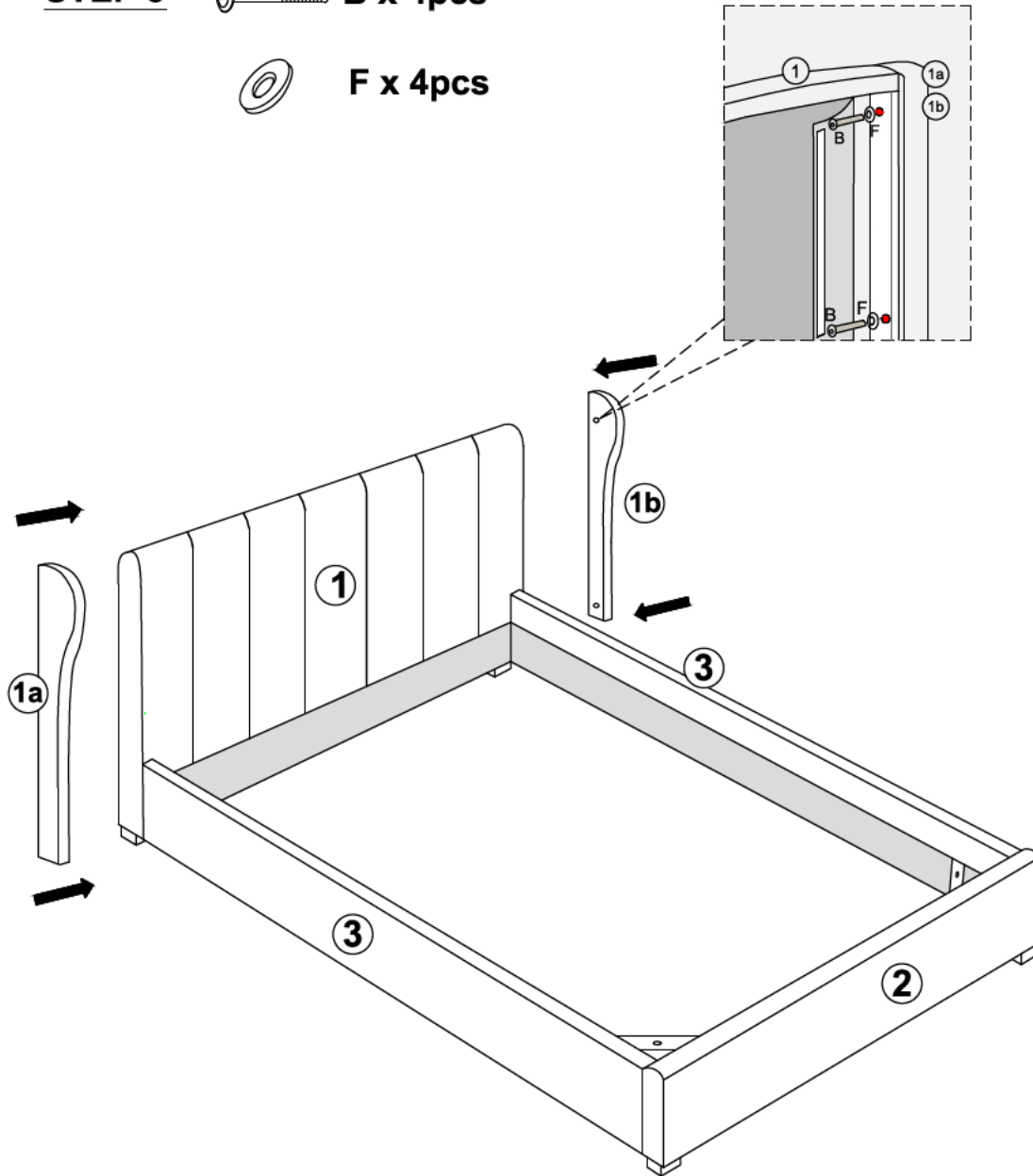


USE OF POWER TOOLS TO ASSEMBLE THIS PRODUCT WILL INVALIDATE ANY CLAIM AND DAMAGE THIS PRODUCT MAKING IT UNSAFE.

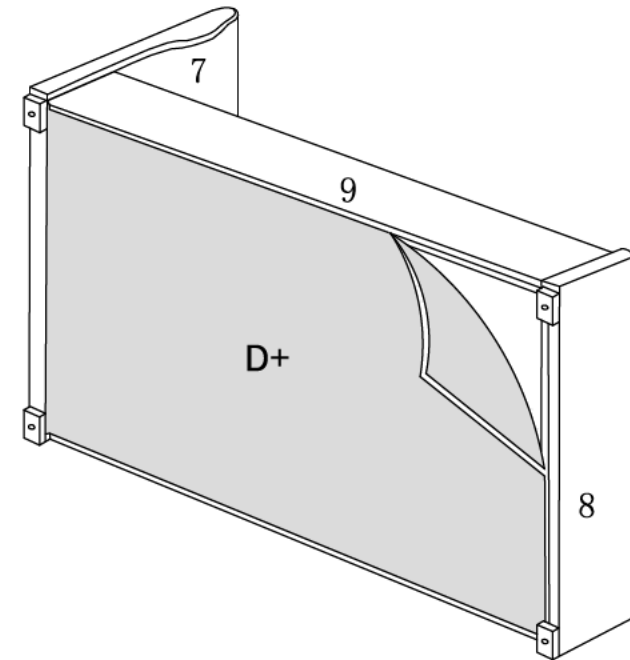


STEP 3  **B x 4pcs**

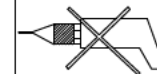
 **F x 4pcs**



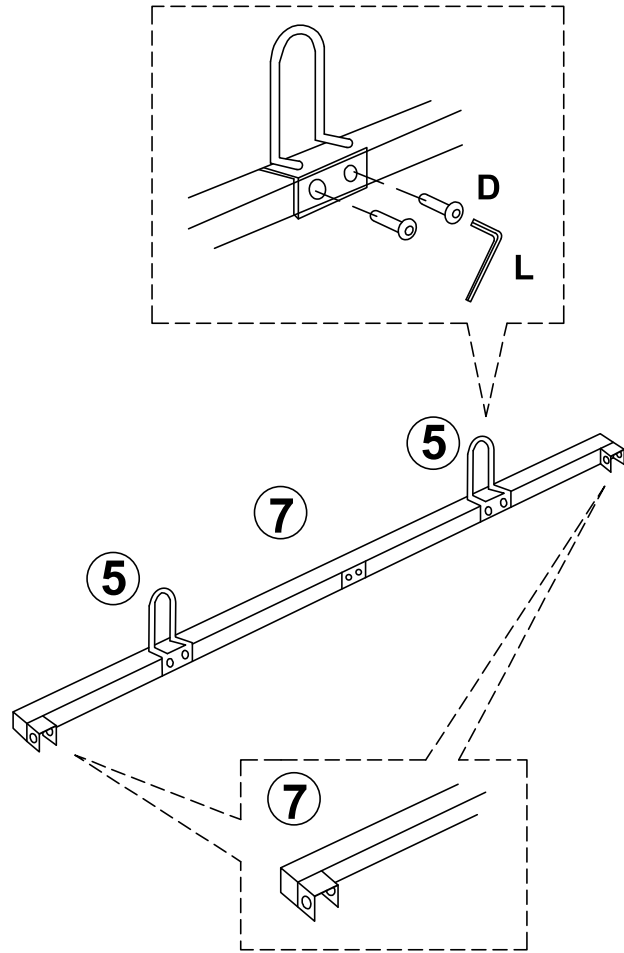
STEP 4



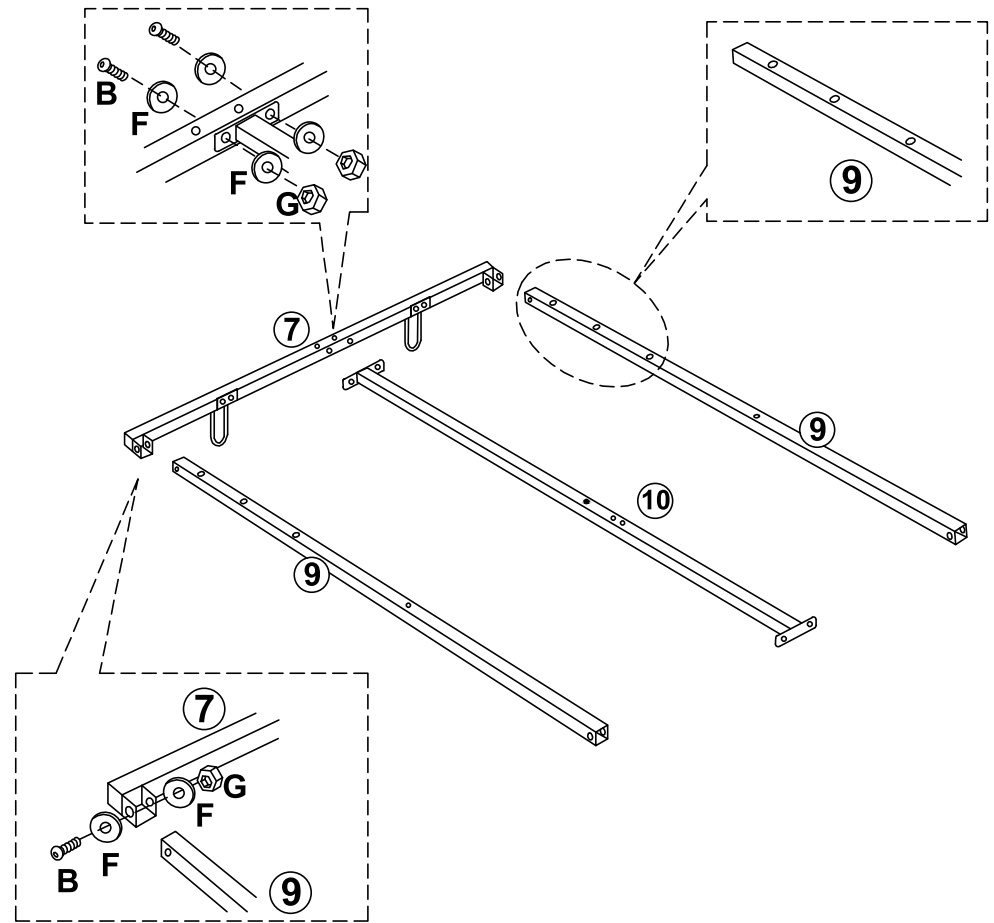
USE OF POWER TOOLS TO ASSEMBLE THIS PRODUCT WILL INVALIDATE ANY CLAIM AND DAMAGE THIS PRODUCT MAKING IT UNSAFE.



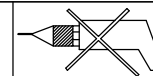
STEP 5  **D x 4pcs**

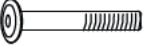

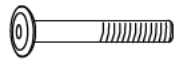



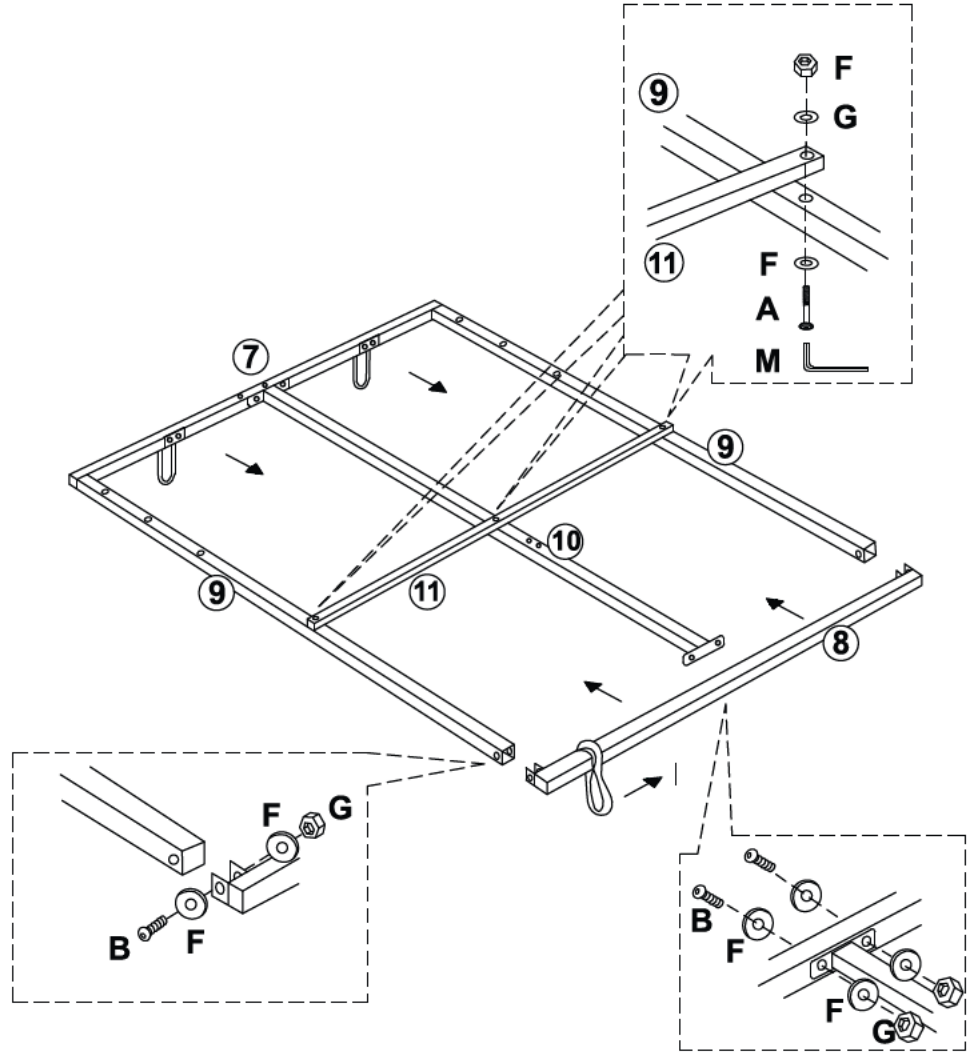
STEP 6  **B x 4pcs**  **F x 8pcs**  **G x 4pcs**



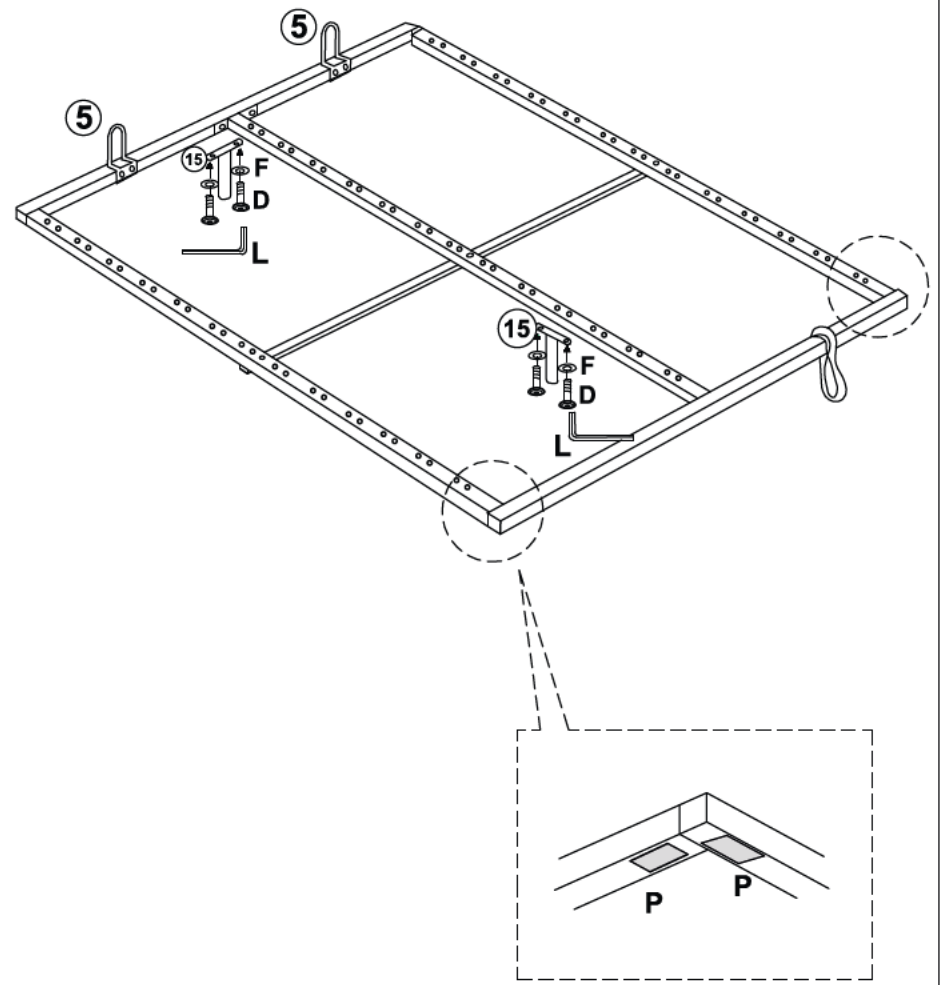
USE OF POWER TOOLS TO ASSEMBLE THIS PRODUCT WILL INVALIDATE ANY CLAIM AND DAMAGE THIS PRODUCT MAKING IT UNSAFE.



STEP 7  **B x 4pcs**  **G x 7pcs**
 **A x 3pcs**  **F x 14pcs**

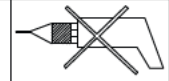


STEP 8  **D x 4pcs**  **F x 4pcs**

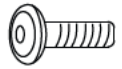


ATTACH THE EVA PAD TO THE UNDERSIDE OF THE METAL TUBE

USE OF POWER TOOLS TO ASSEMBLE THIS PRODUCT WILL INVALIDATE ANY CLAIM AND DAMAGE THIS PRODUCT MAKING IT UNSAFE.



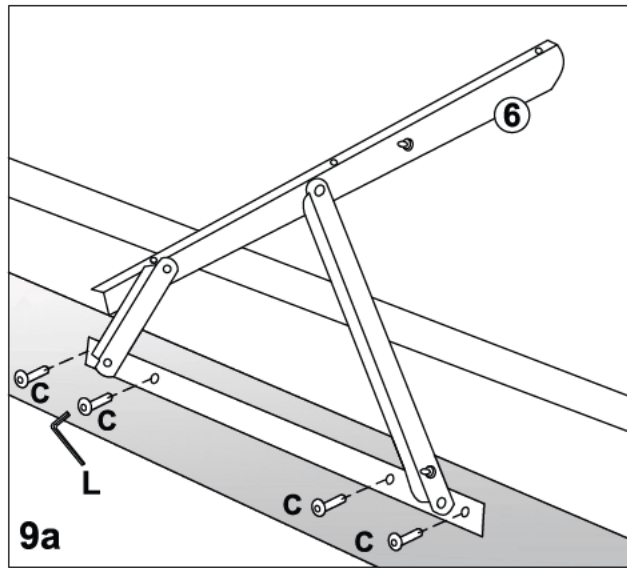
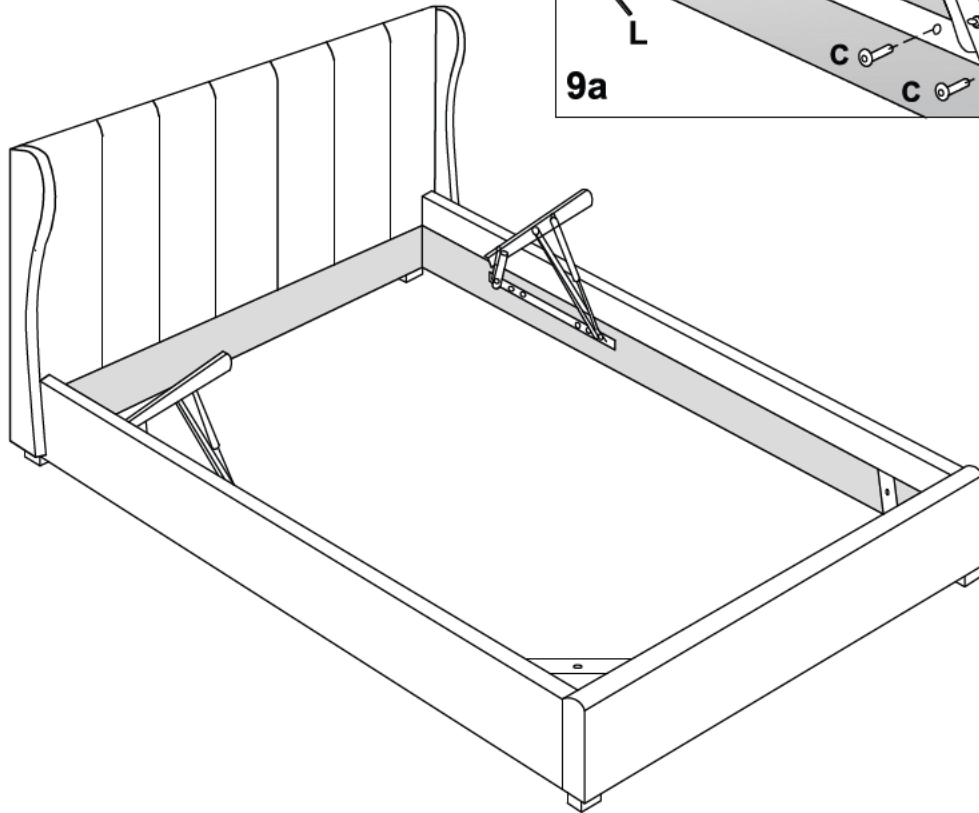
STEP 9



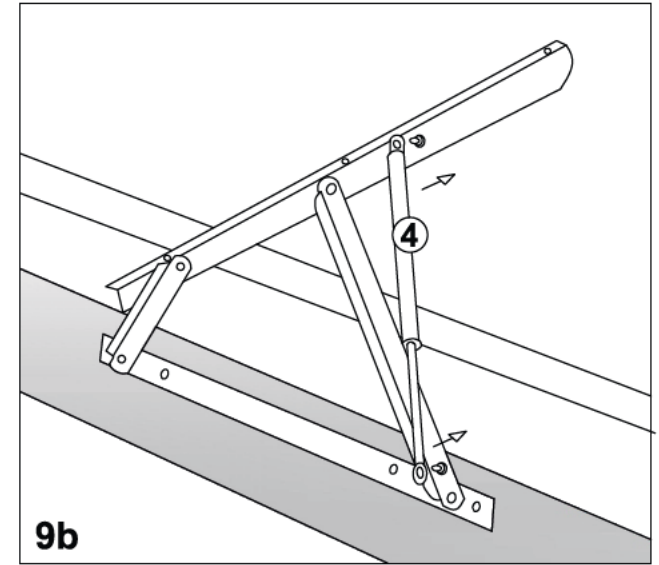
C x 8pcs



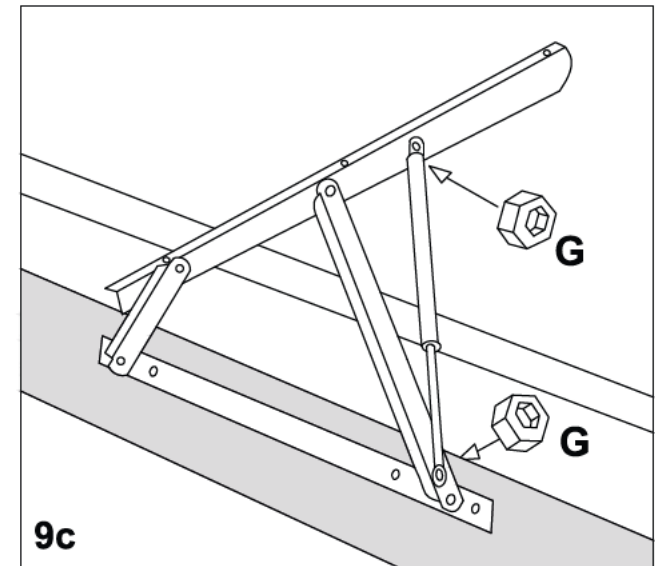
G x 4pcs



9a

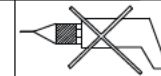


9b



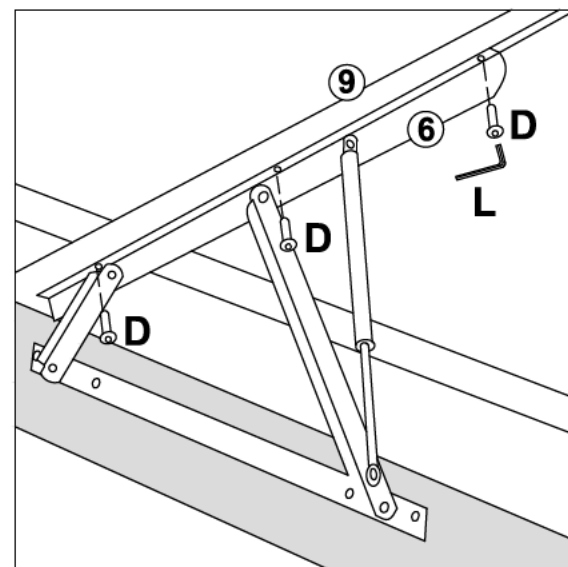
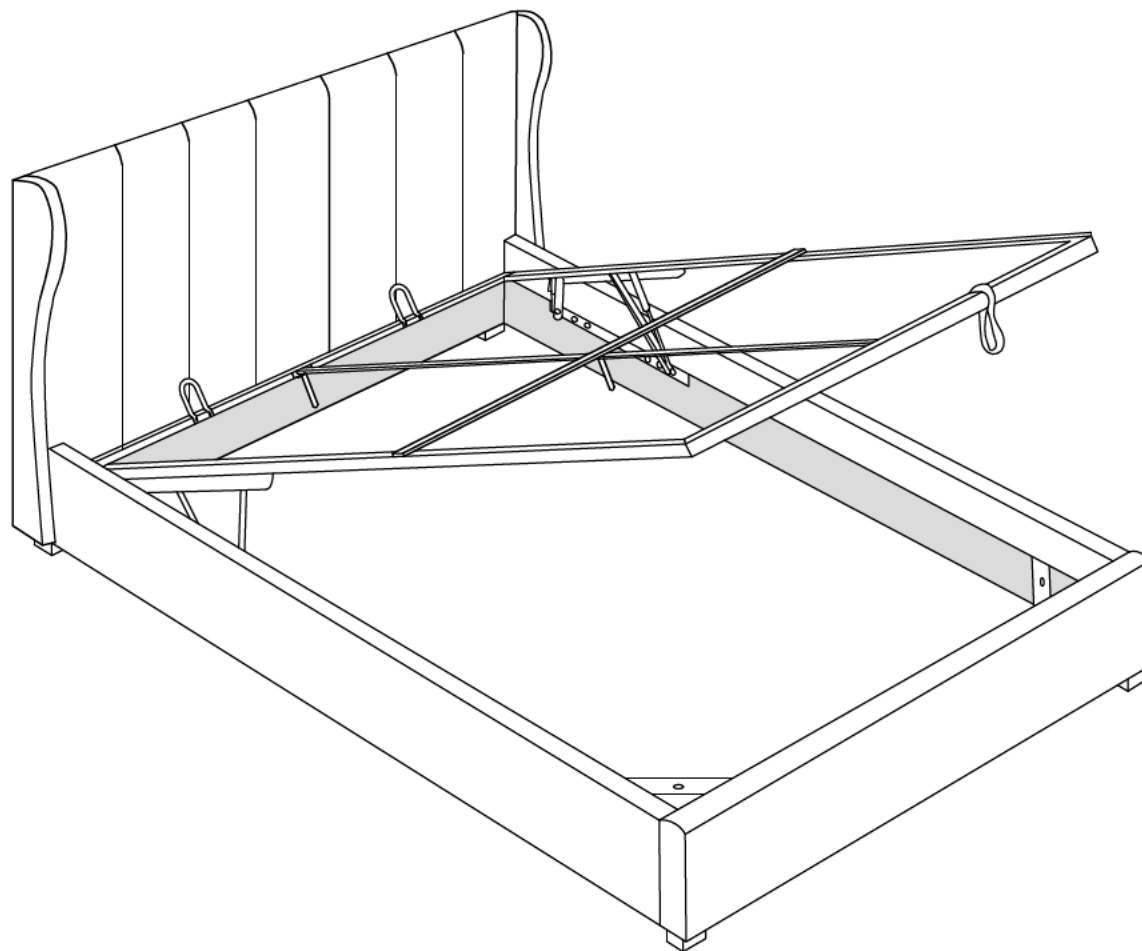
9c

USE OF POWER TOOLS TO ASSEMBLE THIS PRODUCT WILL INVALIDATE ANY CLAIM AND DAMAGE THIS PRODUCT MAKING IT UNSAFE.

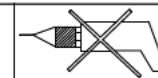


STEP 10

 D x 6pcs



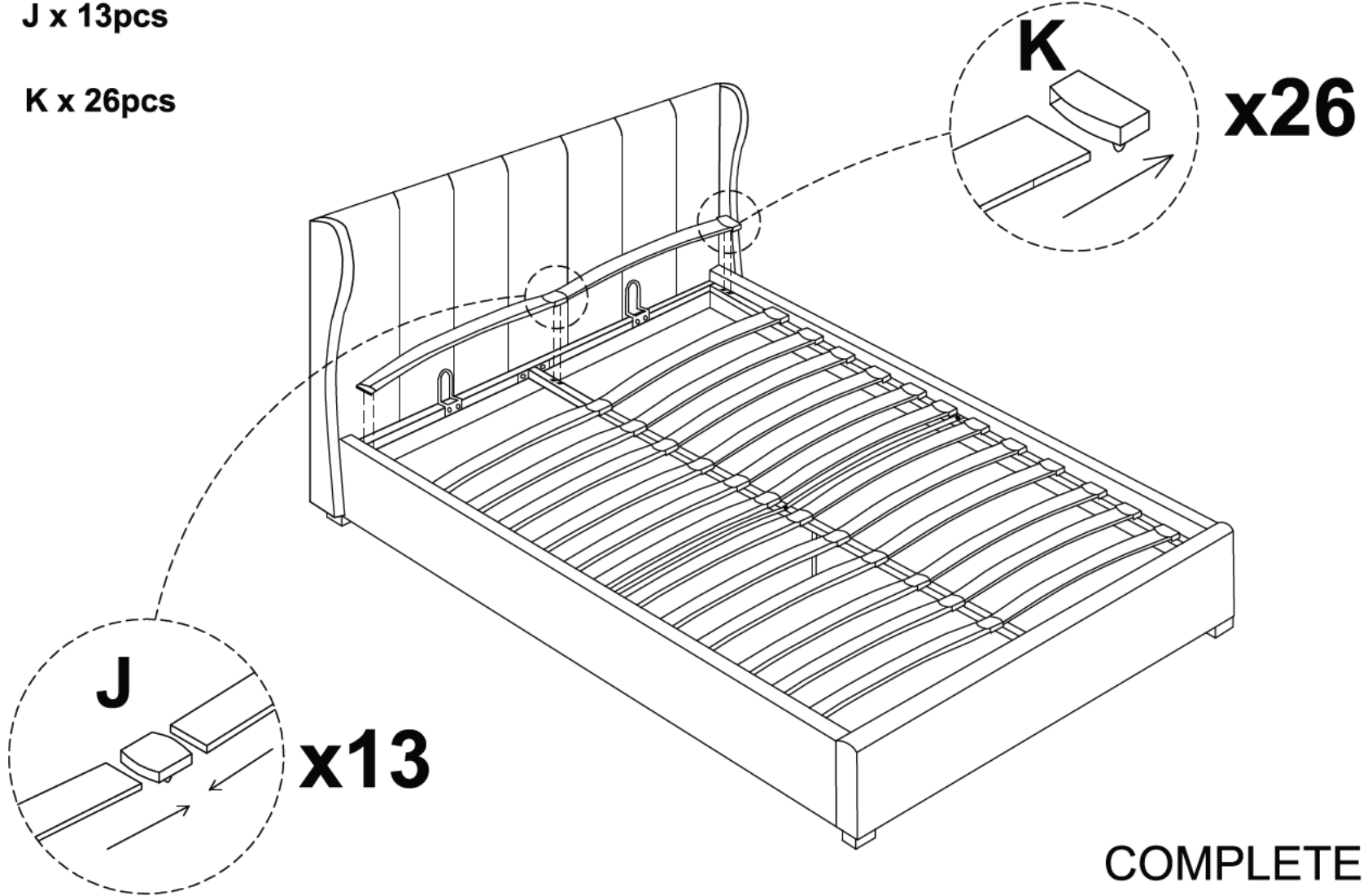
USE OF POWER TOOLS TO ASSEMBLE THIS PRODUCT WILL INVALIDATE ANY CLAIM AND DAMAGE THIS PRODUCT MAKING IT UNSAFE.



STEP 11

 **J x 13pcs**

 **K x 26pcs**



USE OF POWER TOOLS TO ASSEMBLE THIS PRODUCT WILL INVALIDATE ANY CLAIM AND DAMAGE THIS PRODUCT MAKING IT UNSAFE.

