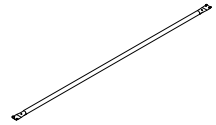
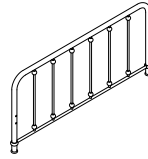
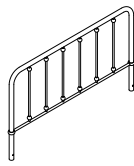


ASSEMBLY INSTRUCTIONS

METAL FULL BED

A Headboard Leg **B** Headboard **C** Footboard **D** Slat



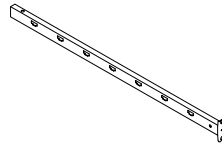
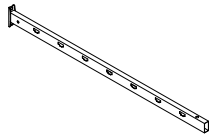
2PCS

1PC

1PC

14PCS

E Slat Connector **F** Front Rail Section **G** Rear Rail Section **H** Rail Support Leg



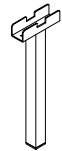
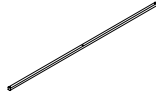
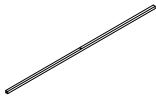
28PCS

2PCS

2PCS

2PCS

I Front / Rear Support Bar **J** Center Support Bar **K** Center Rail **L** Center Support Leg



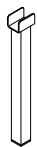
2PCS

1PC

2PCS

1PC

M Front / Rear Support Leg **N** Bolt 1/4" x 16mm **O** Bolt 5/16" x 19mm **P** Bolt 5/16" x 48mm



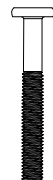
2PCS

2PCS

8PCS

5PCS

Q Bolt 1/4" x 35mm **R** Bolt 5/16" x 55mm **S** Bolt 5/16" x 34mm **T** L-Allen Key 4mm

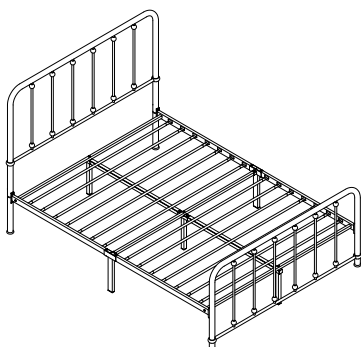


6PCS

2PCS

2PCS

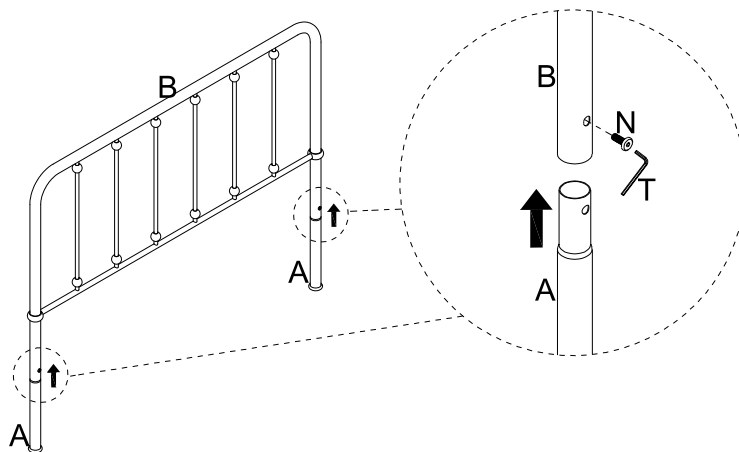
1PC



This page lists all the contents included in the box. Please take the time to identify the hardware as well as the individual components to this product. As you unpack and prepare for assembly, place the contents on a carpeted or padded area to protect them from damage.

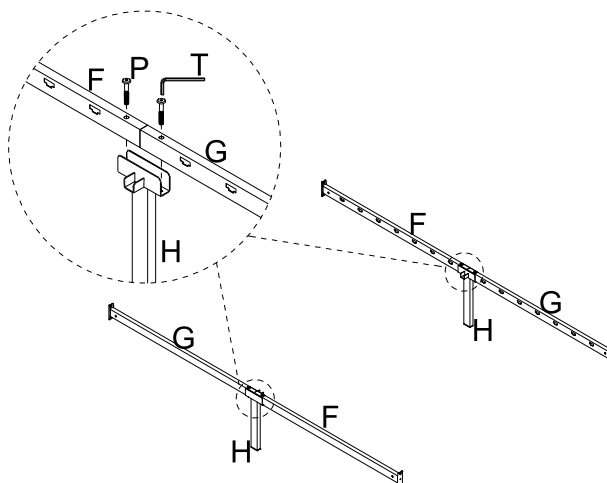
1

Attach Headboard Leg (A) to Headboard (B) using Bolt (N) with L-Allen Key (T).



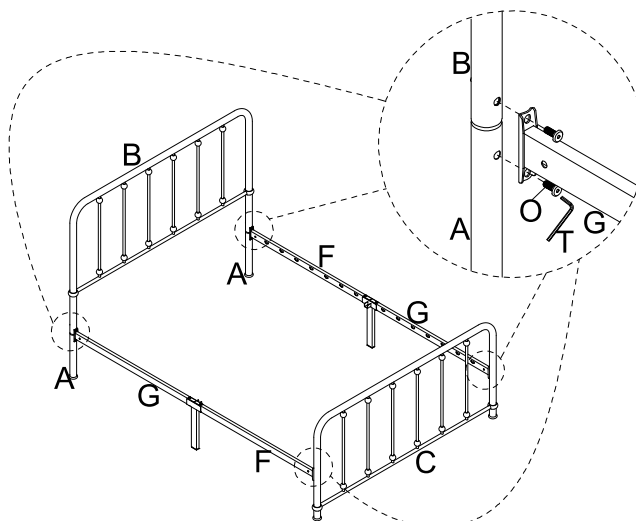
2

Attach Rail Support Leg (H) to Front & Rear Rail Section (F & G) using Bolt (P) with L-Allen Key (T).



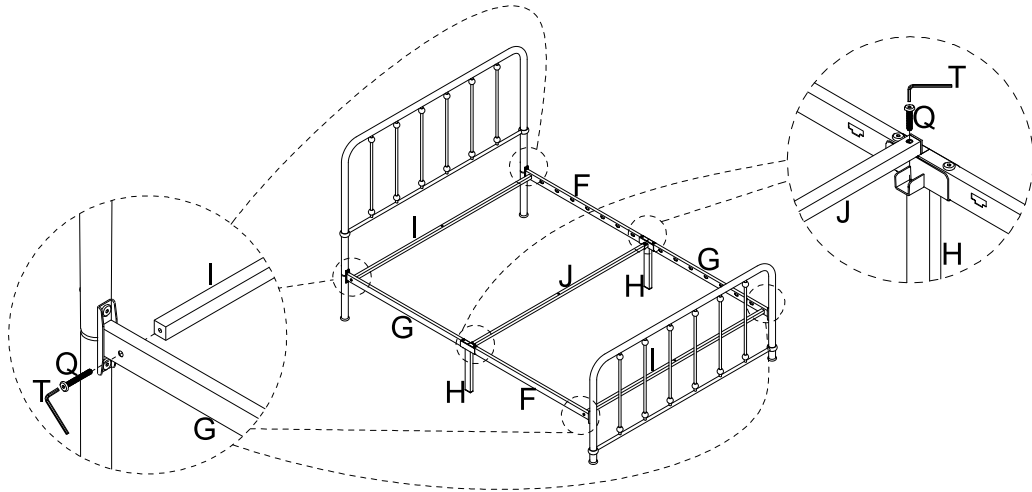
3

Attach Front & Rear Rail Section (F & G) to Headboard Leg (A), Headboard (B) and Footboard (C) using Bolt (O) with L-Allen Key (T).

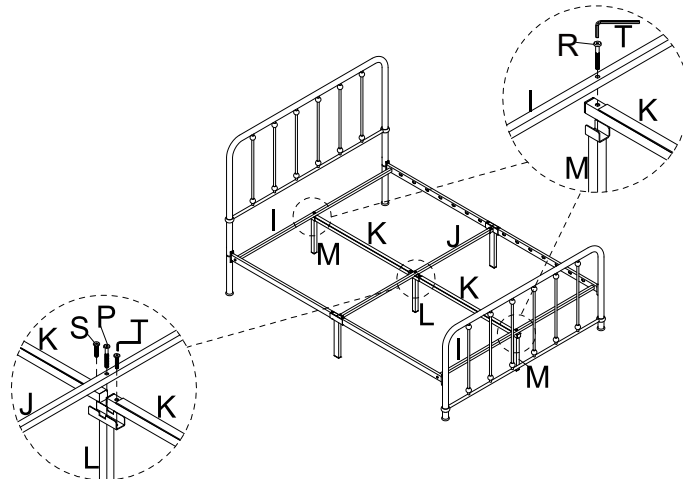


4

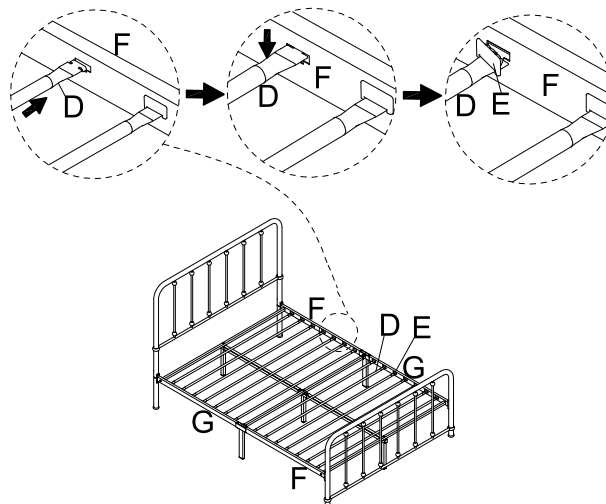
Attach Front / Rear Support Bar (I) to Front & Rear Rail Section (F & G) using Bolt (Q) with L-Allen Key (T). Then attach Center Support Bar (J) to Rail Support Leg (H) using Bolt (Q) with L-Allen Key (T).

**5**

Attach Center Rail (K) and Front / Rear Support Leg (M) to Front / Rear Support Bar (I) using Bolt (R) with L-Allen Key (T). Then attach Center Support Leg (L) to Center Rail (K) and Center Support Bar (J) using Bolt (S & P) with L-Allen Key (T).

**6**

Insert Slat (D) into Front & Rear Rail Section (F & G) as shown. Then lock Slat Connector (E) to fix Slat (D).



Cleaning & Care

Treat surfaces with care. Surfaces are resistant to scratches but are not scratch resistant. Clean surfaces with a dry or damp soft cloth. Do not use abrasive cleaners. Hardware may loosen over time. Periodically check that all connections are tight.