

SINGLE SOFA 2 PCS WITH TABLE

THIS INSTRUCTION BOOKLET CONTAINS IMPORTANT SAFETY INFORMATION.

PLEASE READ AND KEEP FOR FUTURE REFERENCE

Loosely assemble before tightening.

lost accessories or parts costs will be incurred after 90 days of the date of purchase.

WARNING:

Please use the sofa properly; each seat is designed for one person only and tested for a maximum weight of 300 lbs (136.4 kg). Avoid using the sofa for standing, as a step stool, or on uneven surfaces, as this may result in injury. Misuse or failure to follow instructions could lead to harm. This product is not intended for commercial use.

IMPORTANT:

Please read all the instructions and warnings before assembling. In order to make the whole product adjust to the best, please install all the screws on the product before fully tighten, and note to put the washer to the screw before putting the screw into the screw hole.

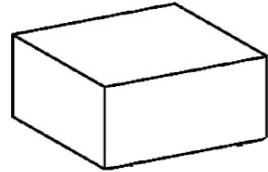
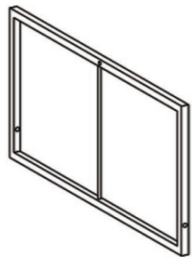
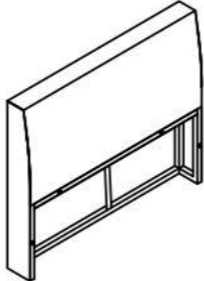
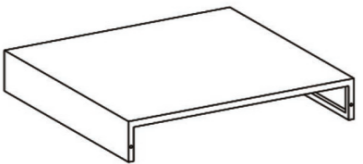
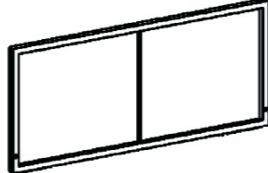

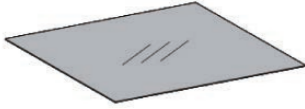
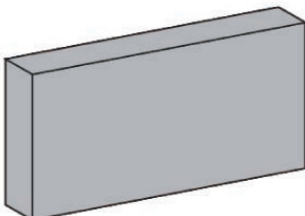
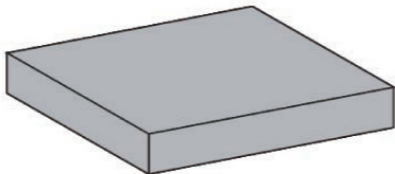
SAFETY INFORMATION:





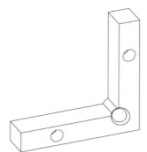
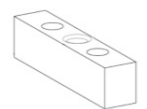




- Keep all children and pets away from assembly area. Children and pets should be supervised when they are in the area of the product construction.
- Keep assembly area at least 6 feet from any obstruction such as a fence, garage, house, overhanging branches, laundry line or electrical wires.
- Some parts may contain sharp edges. When assembling and using this product, basic safety precautions should always be followed to reduce the risk of personal injury and damage to the product. Please read all instructions before assembly and use.
- Check all bolts for tightness before use. IMPORTANT - check and tighten bolts often to keep them secure!
- The use weight of the sofa is 250 lbs (113.4 kg).

CARE & MAINTENANCE :

- STAIN RESISTANT CUSHIONS CARE :KEEP THE CUSHIONS IN STORAGE IN RAINING DAY.
- SPILLS: Immediately wipe up the spill using a white damp cloth. Repeat process if necessary until stain is gone. Allow cushion to air dry.
- FABRIC CARE: Hand wash cold, non-chlorine bleach when needed, lay flat to dry. Cool iron if necessary. Do not dry clean.
- RESIN WICKER PRODUCT CARE: Before using, clean the product completely with a soft dry towel. When not in use, wipe free of any dirt or loose objects, wash with a mild solution of soap and water, rinse thoroughly and dry completely. Do not use strong detergent or abrasive cleaners. Over time nuts and bolts can loosen. Occasionally, check nuts and bolts on all chairs and tables, re-tighten if necessary.

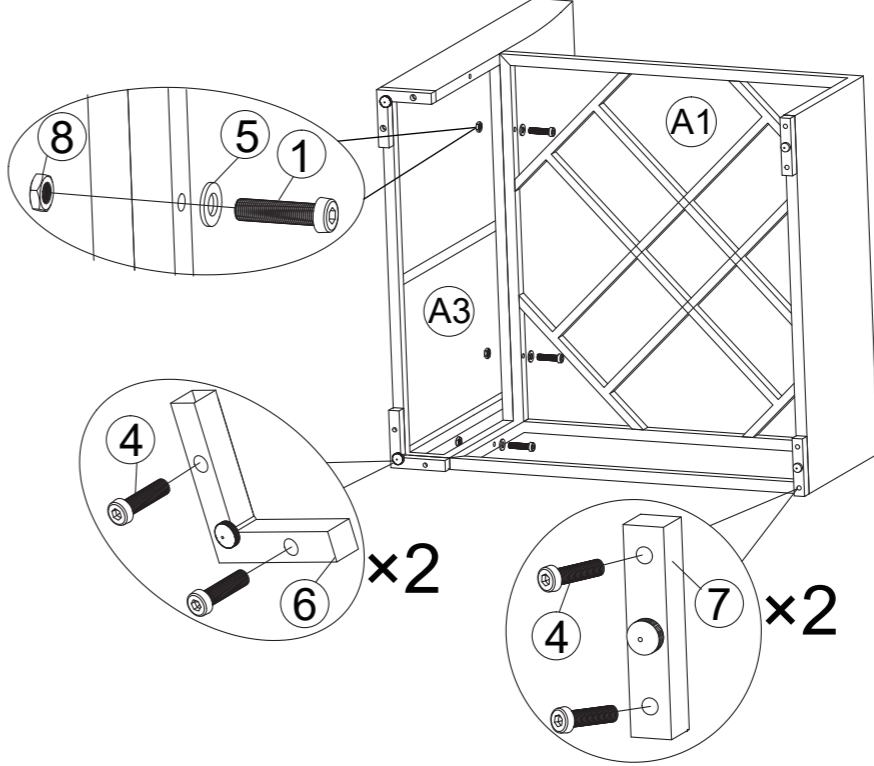
Warranty:180 days.

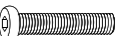



A1 Middle sofa plate X 2 	A2 Middle sofa side panel X 2 	A3 Middle sofa back panel X 2 
D1 Tea table base X 1 	D2 Tea table side panel X 2 	D3 Tea table top frame X 1 
E Tempered glass tabletop X 1 	F Back cushion X 2 	H Seat cushion X 2 

1 Long bolt X 8  M6 X 45 mm	2 Middle bolt X 12  M6 X 35 mm	4 Short bolt X 24  M6 X 25 mm	5 Washer X 28 
6 Curved plug X 4 	7 Straight plug X 8 	8 Nut X 8 	9 U connector X 4 
10 Allen Wrench X 1 	11 Wrench X 1  W	Two of the U connectors (part 9) are used for sofa set	

ASSEMBLY TIP:
Please screw the parts together at 50% loose, it will help you assemble them easily.
After all the parts assemble together, tight the screws up 100% at end to make the product stable.

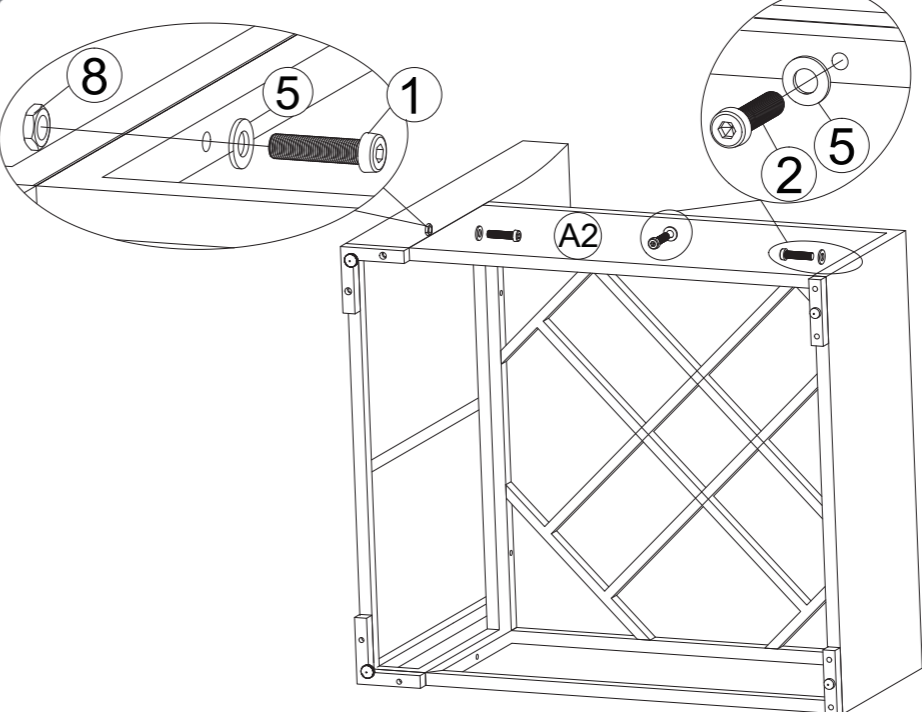
1







1		3 PCS
4		8 PCS
5		6 PCS
8		3 PCS

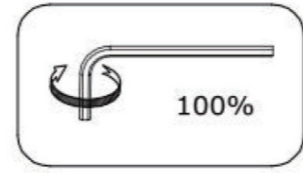
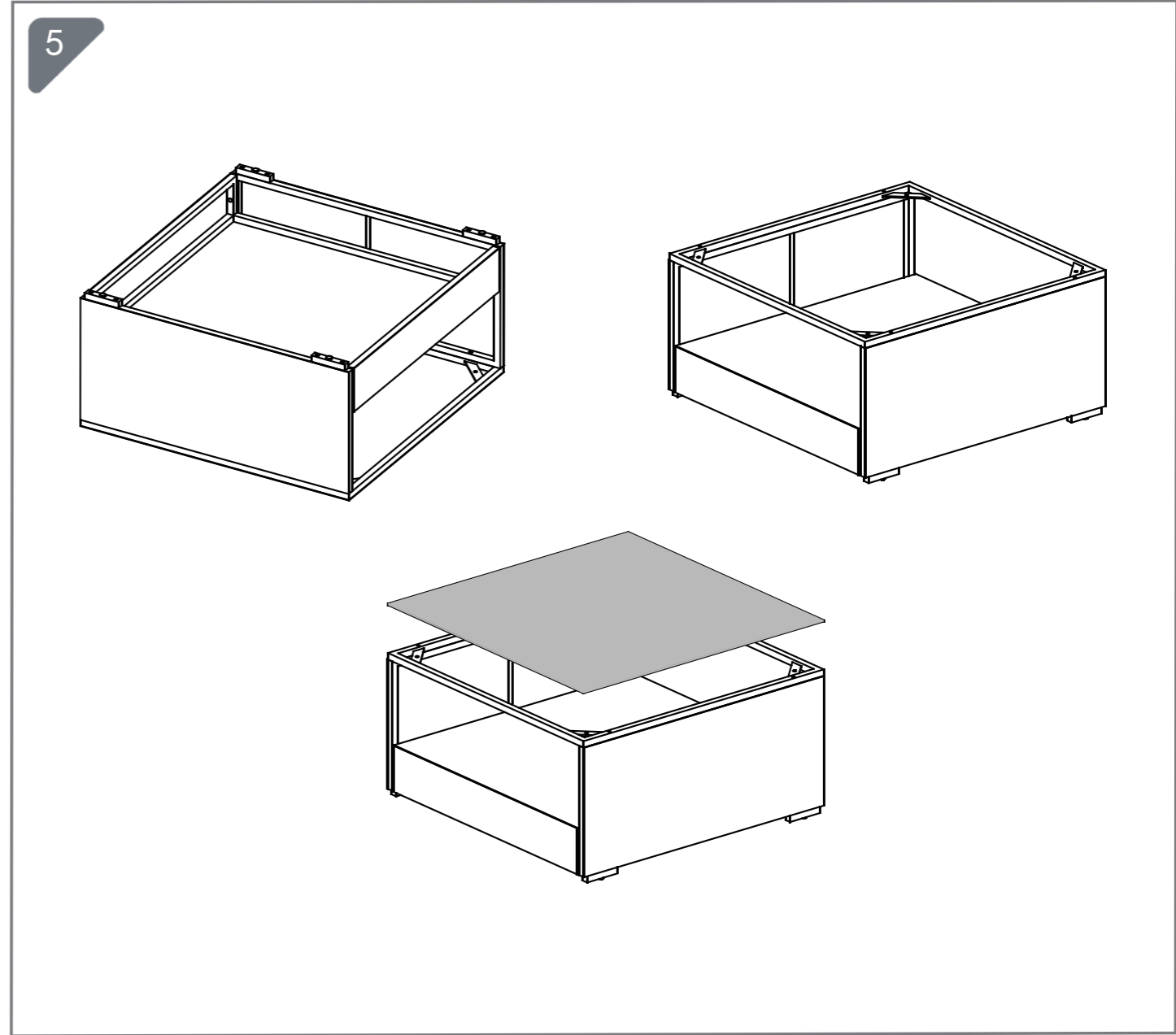
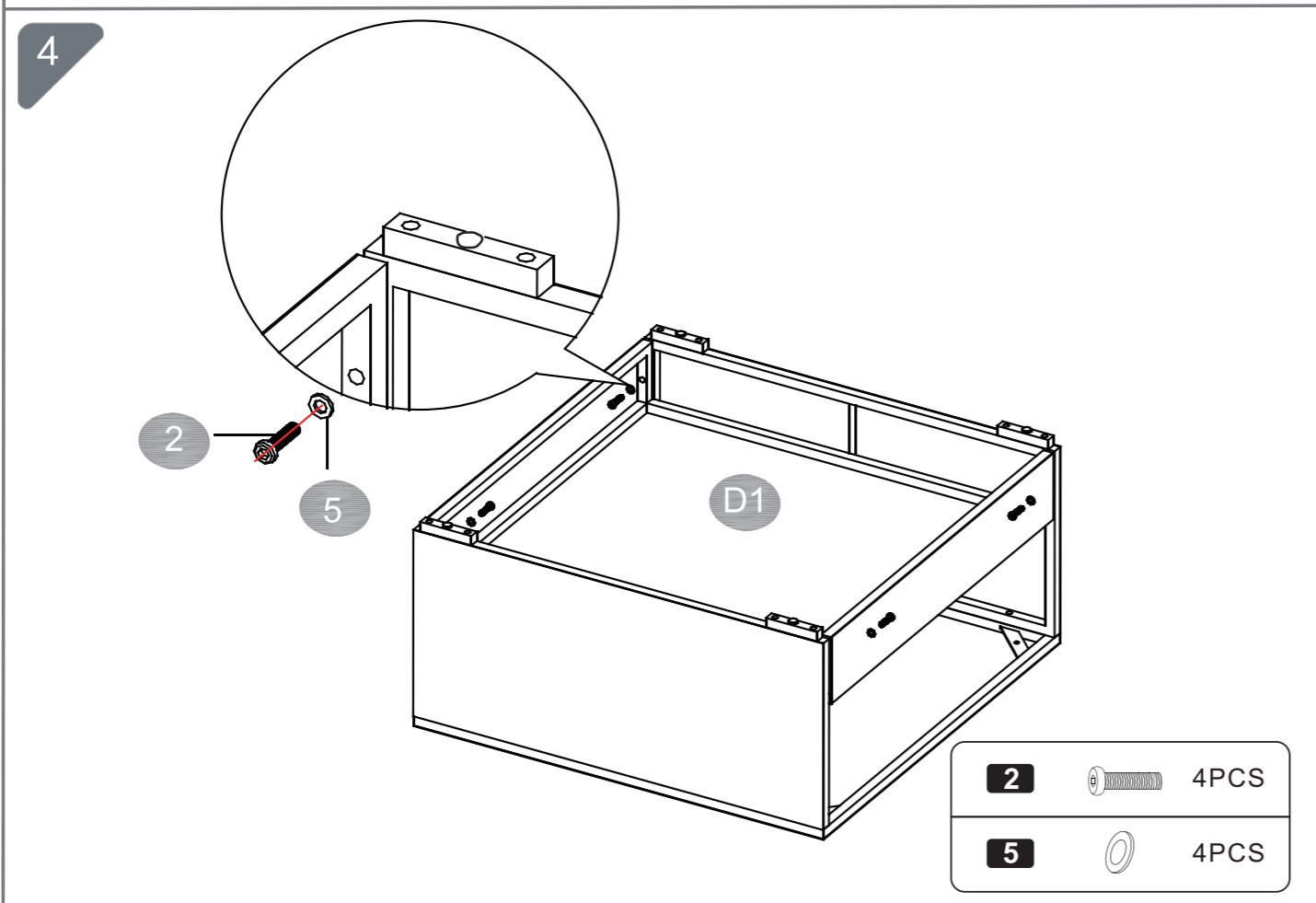
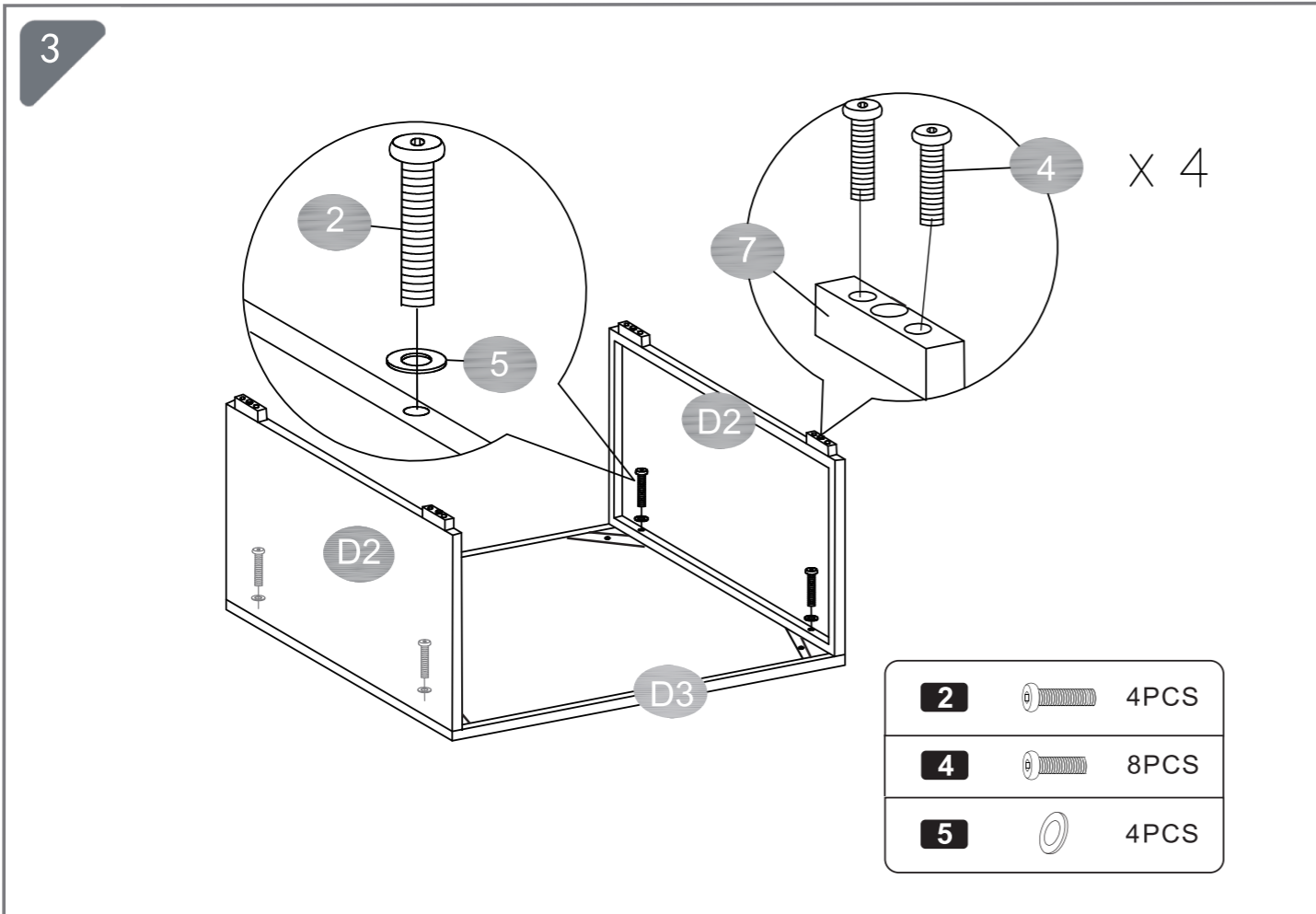
x 2

2



1		1 PC
2		2 PCS
5		4 PCS
8		1 PC

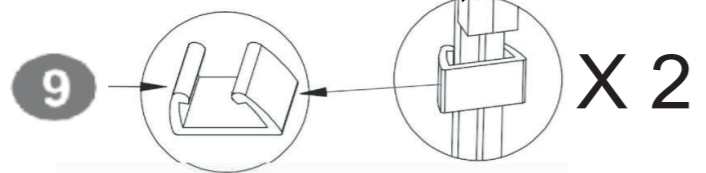
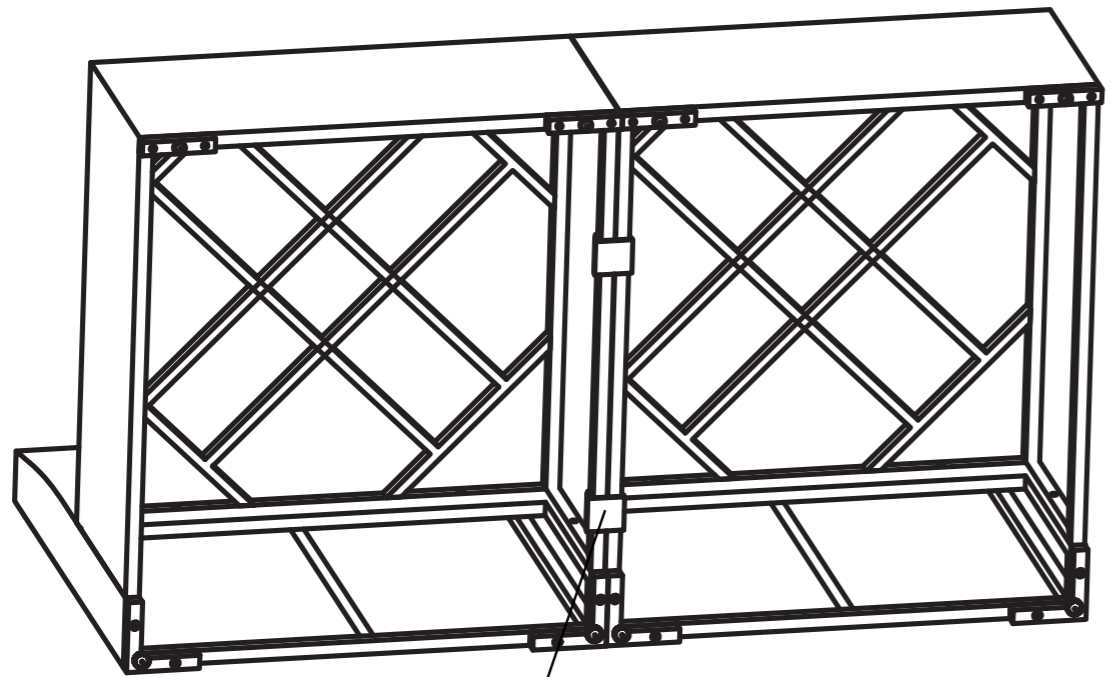
x 2



Now tight the screws up 100% at end to make the product stable. Then put on the glass.

Please protect the glass

6



7

