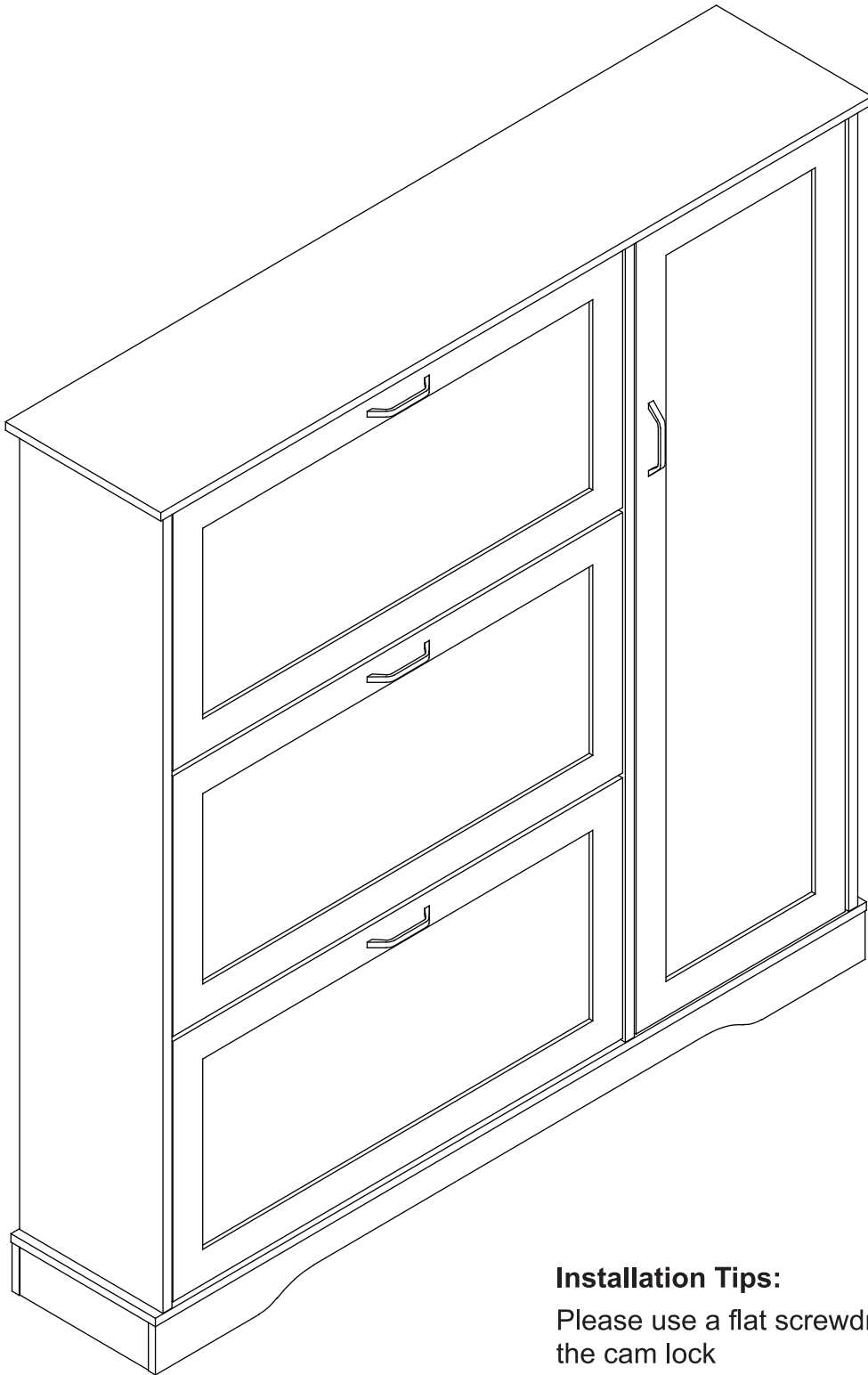
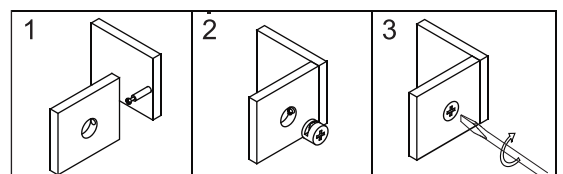


# Shoe Cabinet

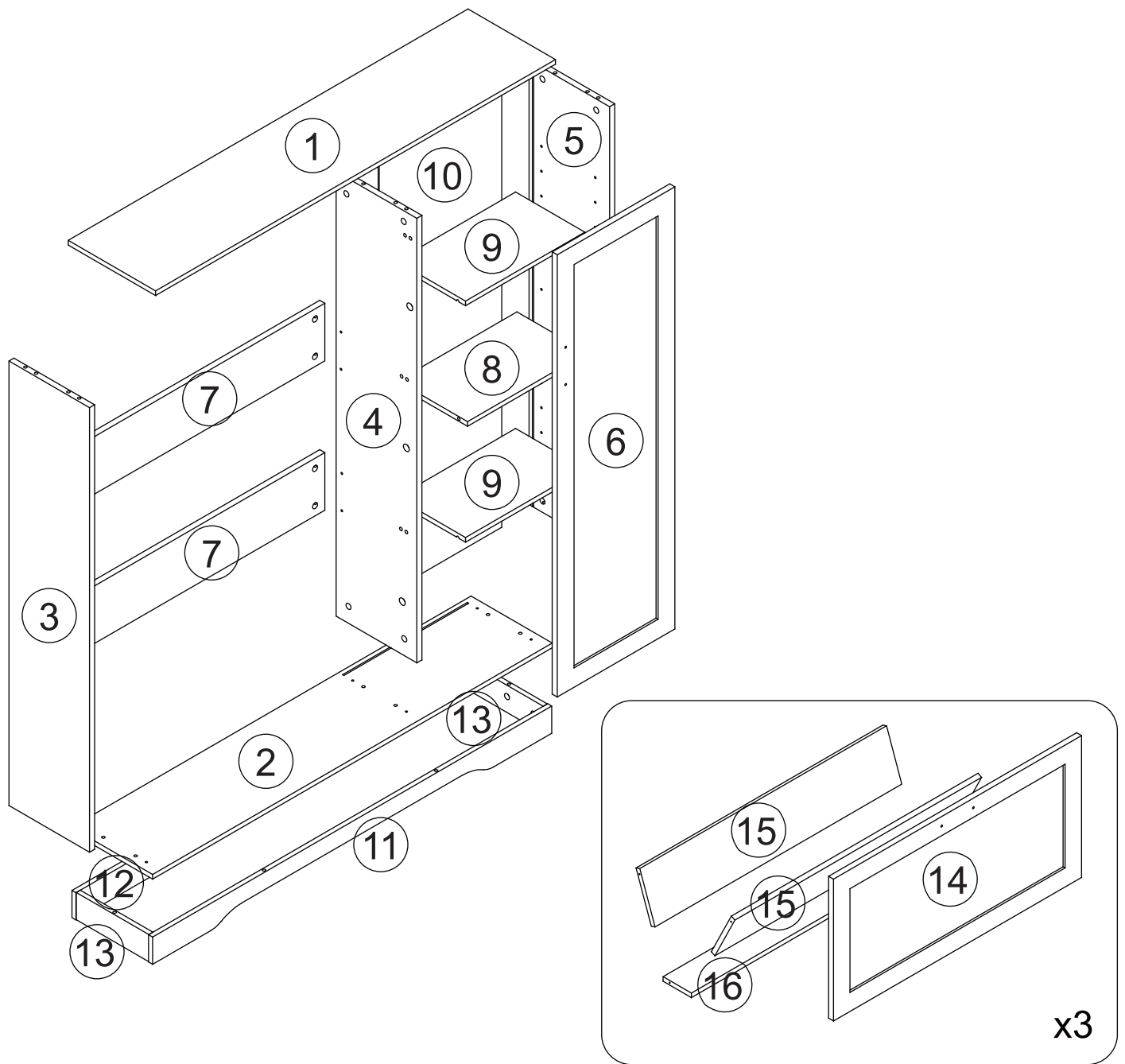


## Installation Tips:

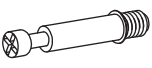


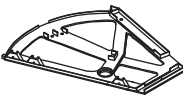
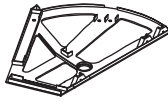
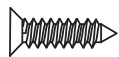
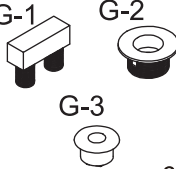
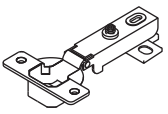
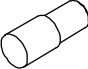
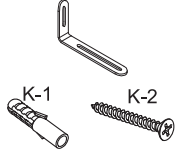

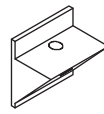

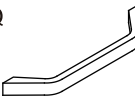

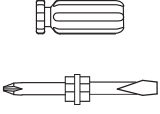
Please use a flat screwdriver to install the cam lock



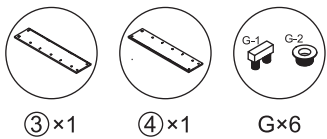
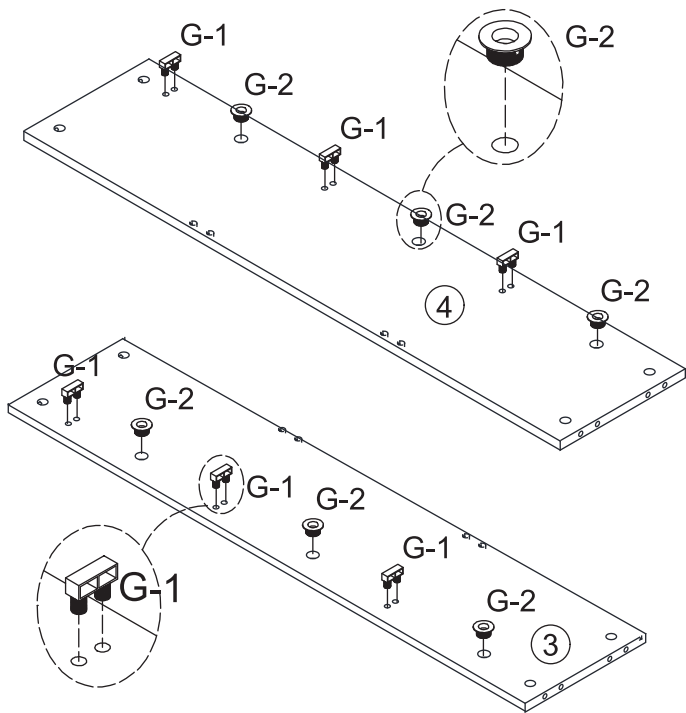
# Package Contents: Parts



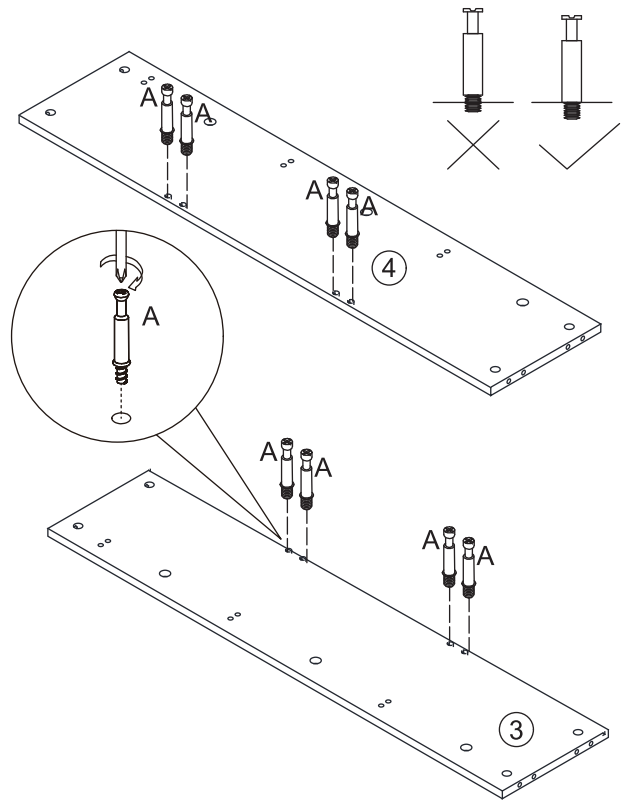
# Package Contents: Hardware

<p>A</p>  <p>x34</p>	<p>B</p>  <p>x34</p>	<p>C</p>  <p>Φ8*30mm</p> <p>x12</p>	<p>D</p>  <p>x3</p>	<p>E</p>  <p>x3</p>	<p>F</p>  <p>Φ3.5×14mm</p> <p>x56+5</p>	<p>G</p>  <p>x6</p>
<p>H</p>  <p>x3</p>	<p>J</p>  <p>x8</p>	<p>K</p>  <p>Ø4x35mm</p> <p>x2</p>	<p>N</p>  <p>x4</p>	<p>M</p>  <p>x4</p> <p>R</p>  <p>x4</p>	<p>Q</p>  <p>x4</p> <p>P</p>  <p>M4×20mm</p> <p>x8</p>	

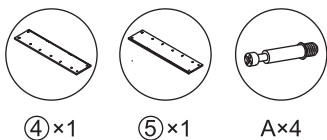
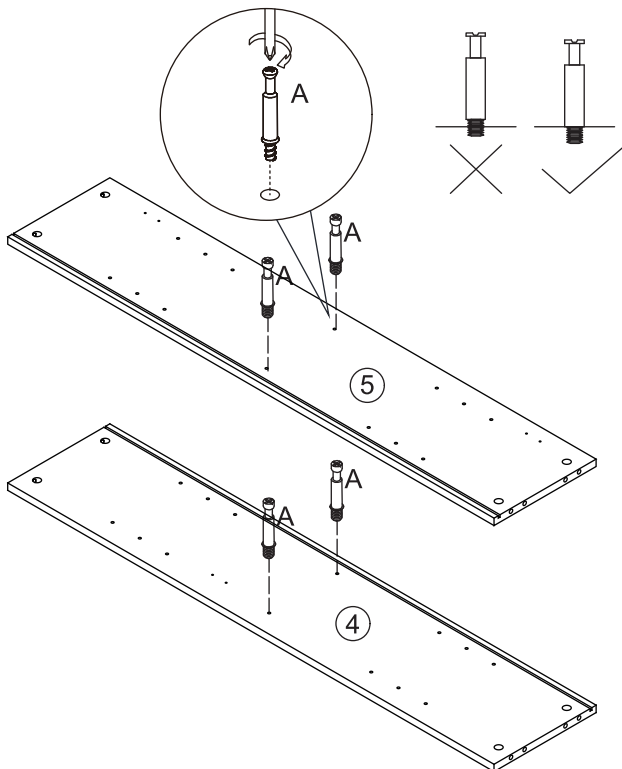
**1** Insert (G-1), (G-2) into the designated holes on (3) and (4).



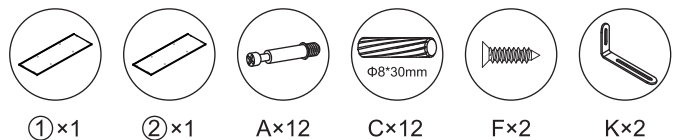
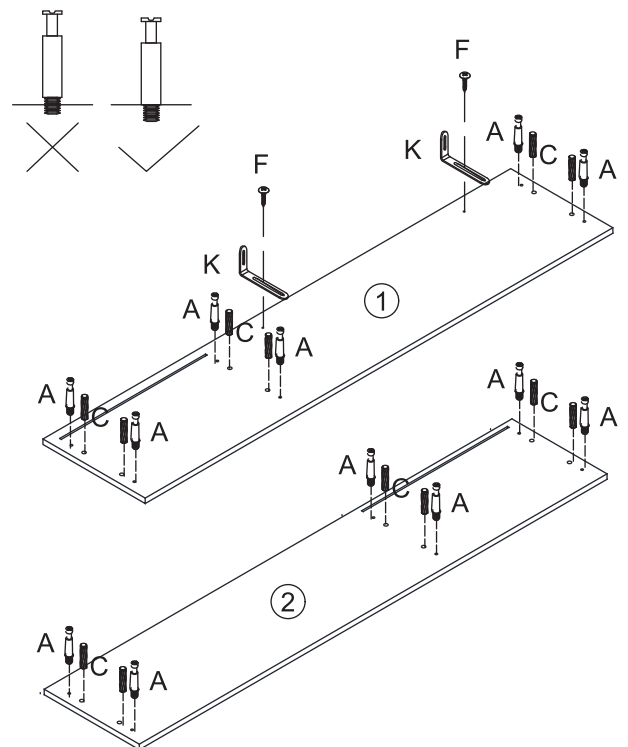
**2** Insert (A) into the designated holes on (3) and (4).



**3** Screw (A) into the designated holes on (4) and (5) respectively.

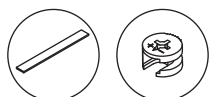
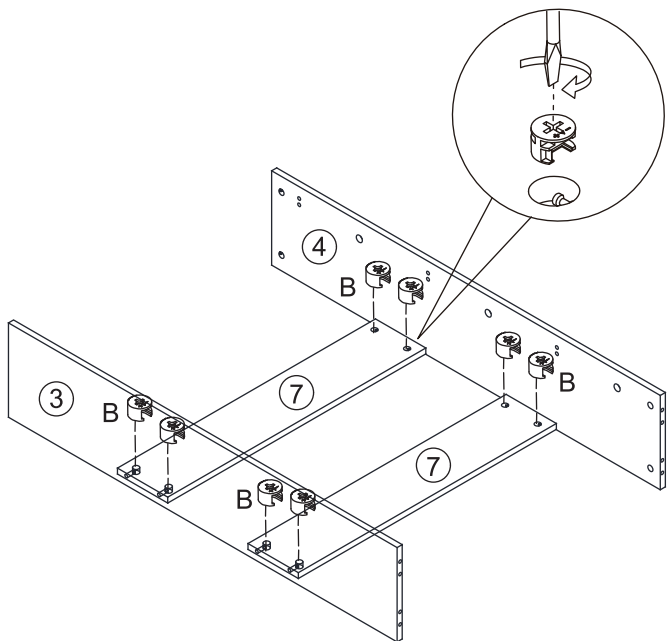


**4** Screw (A) and insert (C) into the designated holes on (1) and (2).  
Screw (F) through (K) into (1).



**5**

Connect (3) and (4) by screwing (B) into the holes on (7).

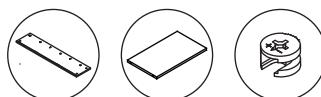
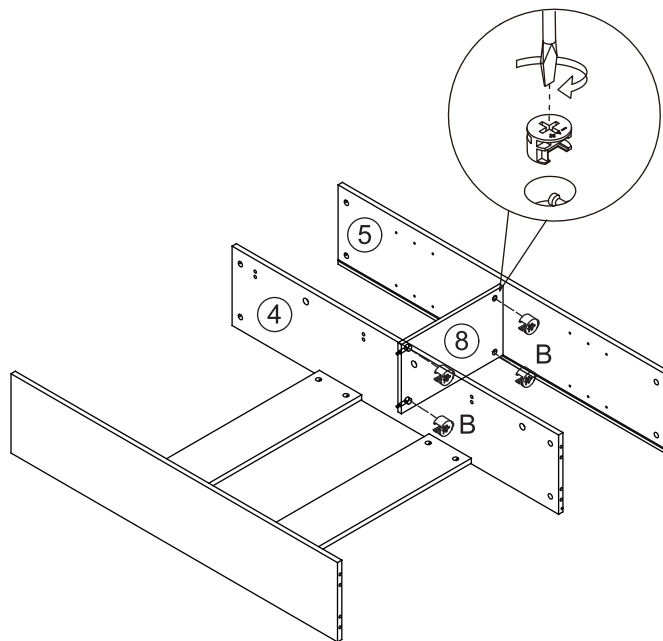


⑦×2

B×8

**6**

Connect (4) and (5) by screwing (B) into the holes on (8).



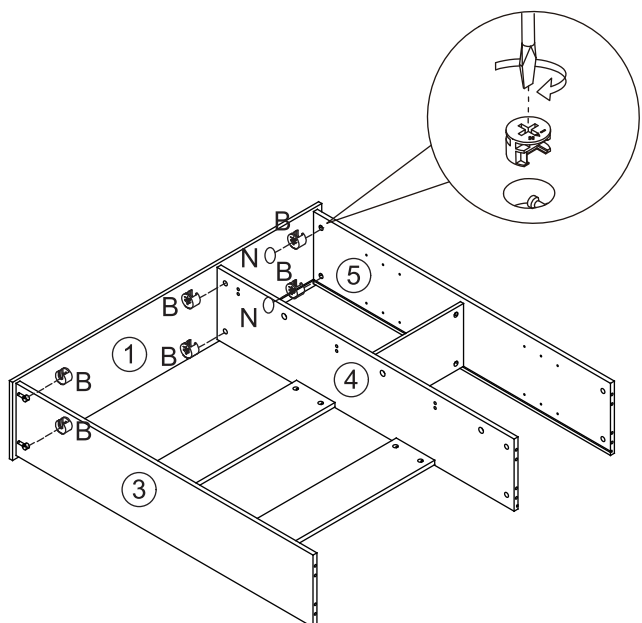
⑤×1

⑧×1

B×4

**7**

Connect (1) to (3), (4), and (5) by screwing (B) into the designated holes on (3), (4), and (5) respectively.



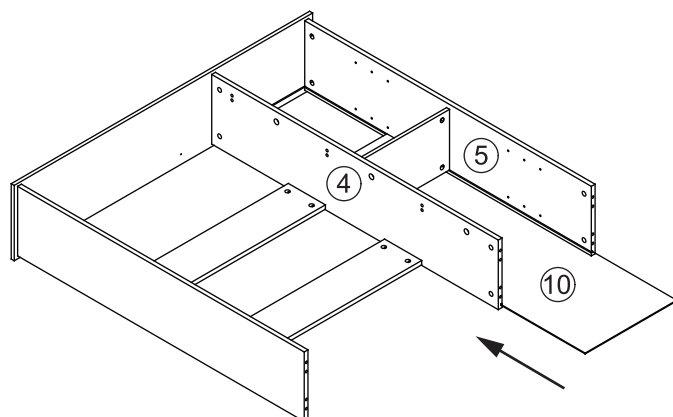
①×1

B×6

N×2

**8**

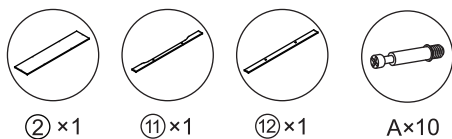
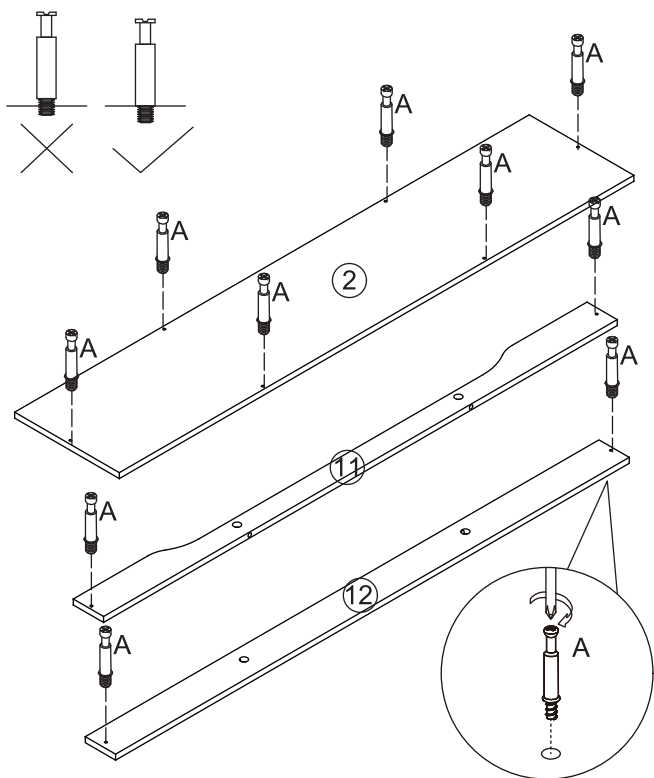
Insert (10) into the slots on (4) and (5).



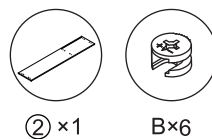
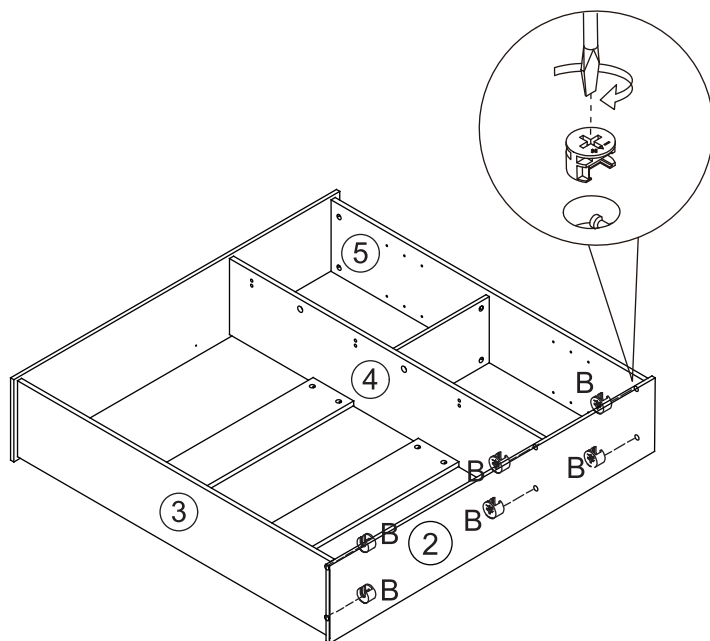
⑩×1

**9**

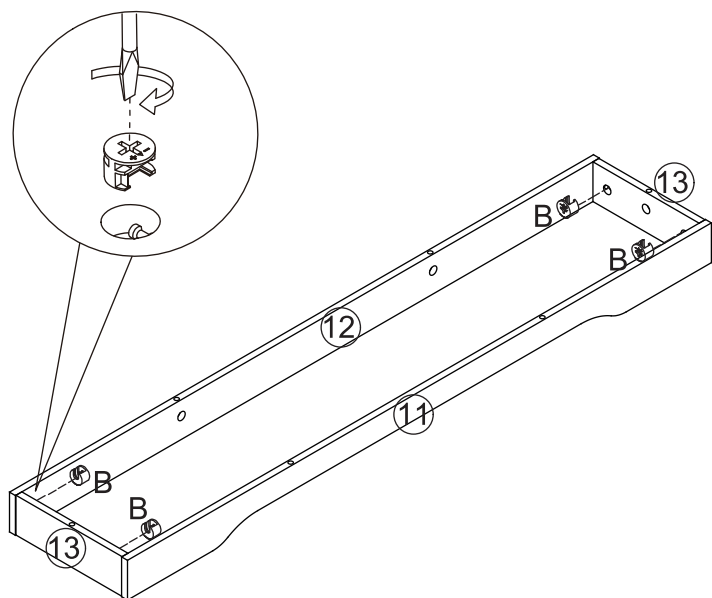
Screw (A) into the holes on (2), (11), and (12).

**10**

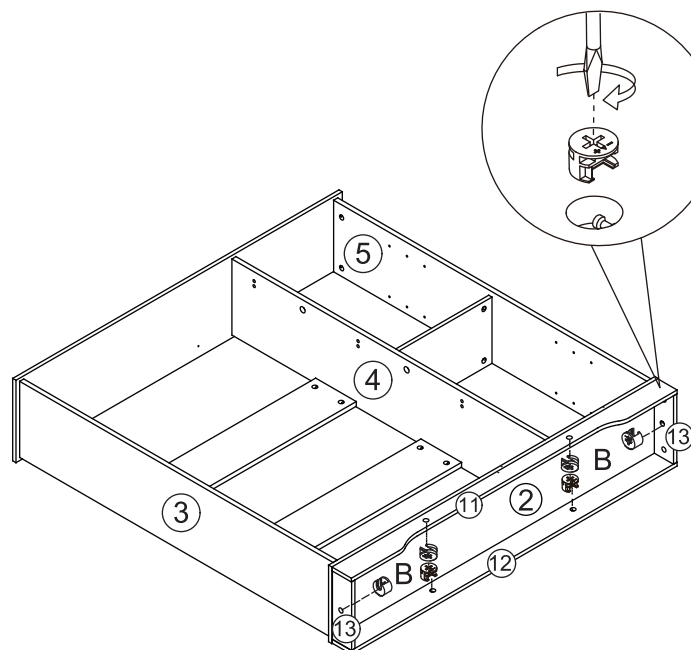
Connect (2) to (3)(4)(5), securing with (B).

**11**

Connect (11) and (12) by screwing (B) into the holes on (13).

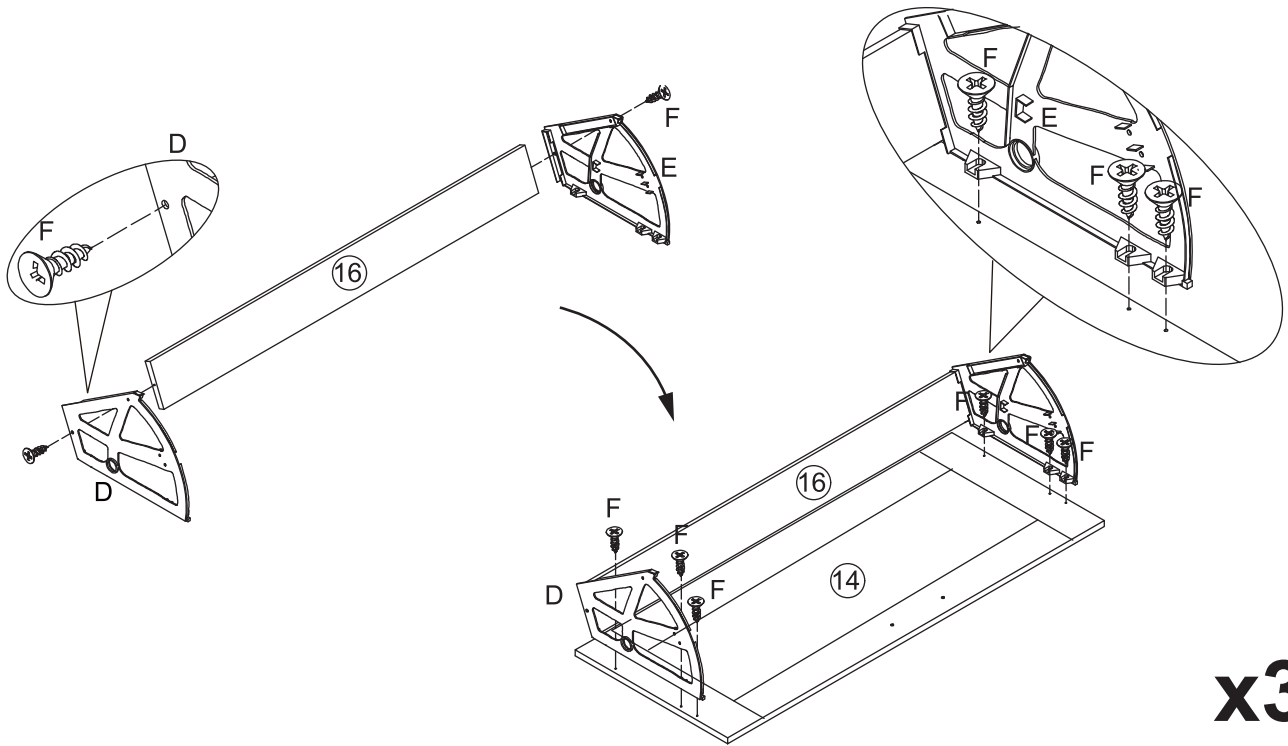
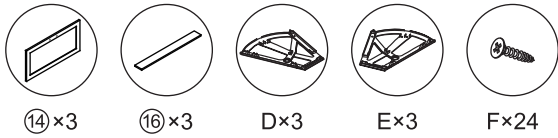
**12**

Connect (2) to (11)(12)(13), securing with (B).



**13**

Screw (F) through (D) and (E) into the holes on (16).  
Screw (F) through (D) into the holes on (14).

**x3**

⑭×3

⑯×3

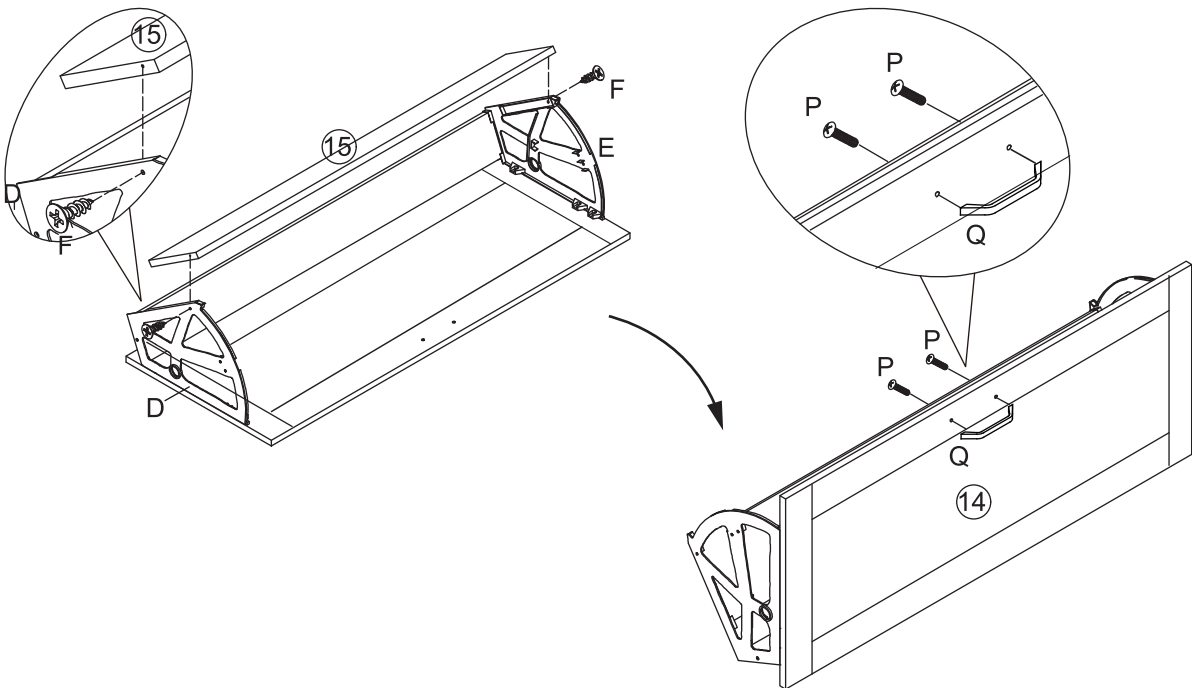
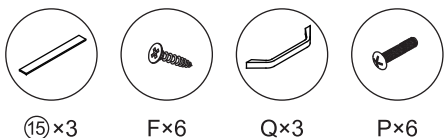
D×3

E×3

F×24

**14**

Screw (F) through (D) and (E) into the holes on (15).  
Screw (P) through the holes in (14) into (Q).

**x3**

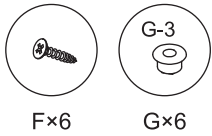
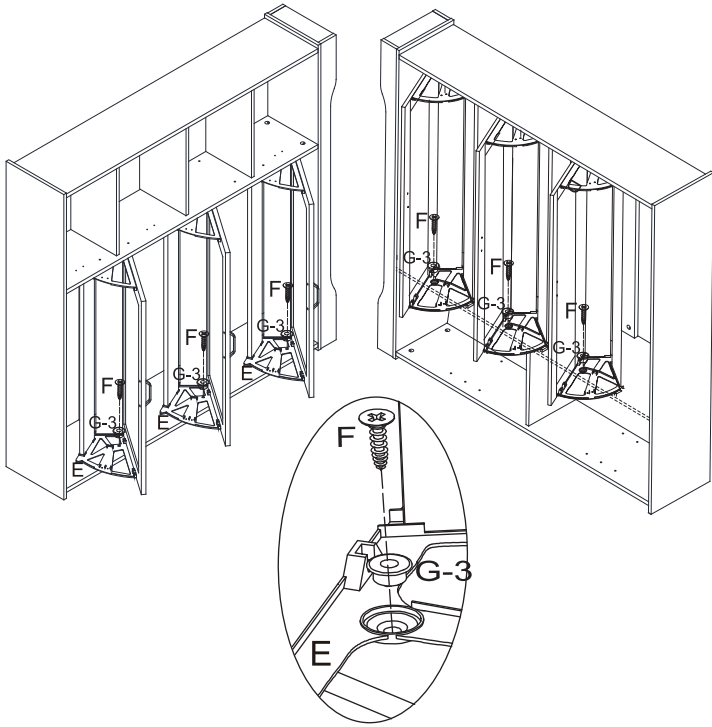
⑮×3

F×6

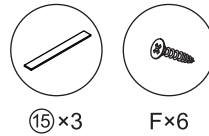
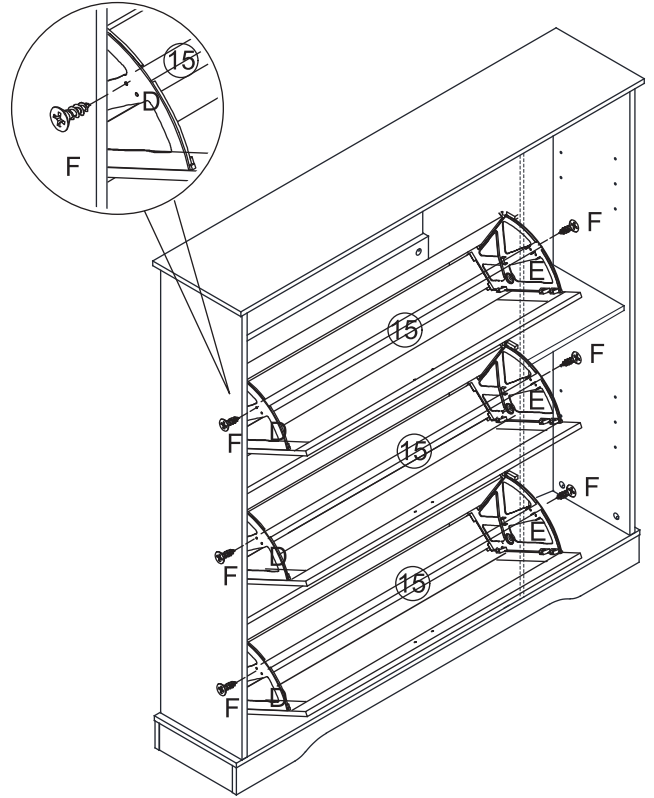
Q×3

P×6

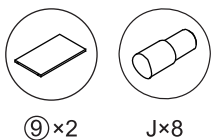
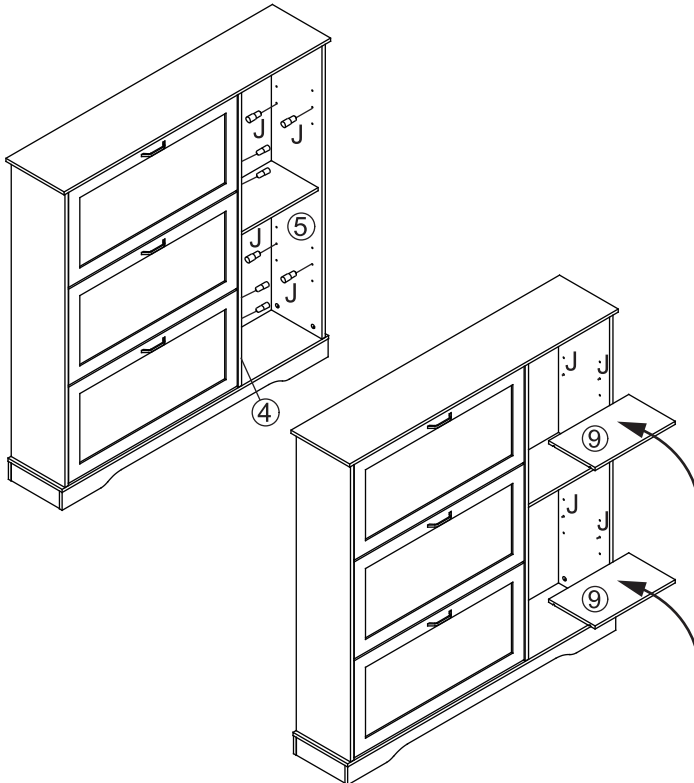
**15** Insert (G-3) into (E), securing with (F). Turn over the cabinet and repeat the previous step.



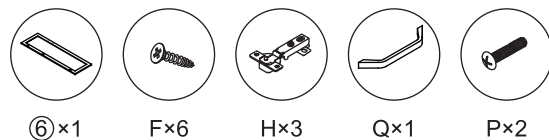
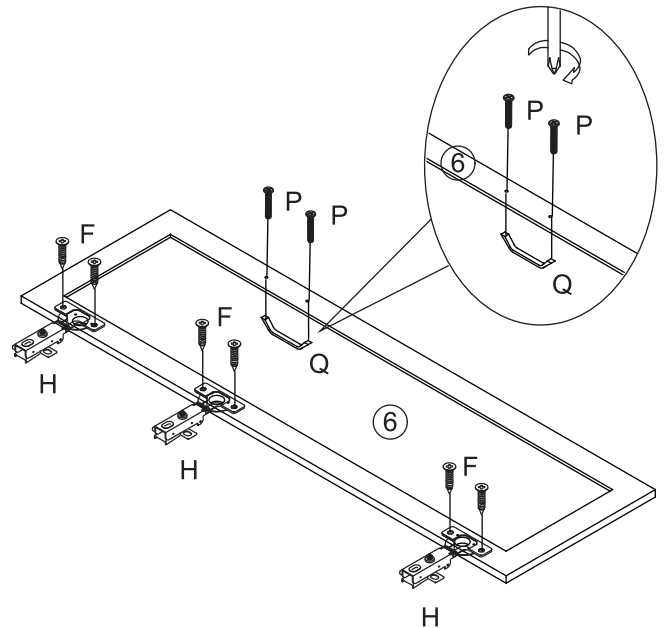
**16** Screw (F) through (D) and (E) into the holes on (15).



**17** Insert (J) into the holes on (4) and (5), and put (9) onto (J).



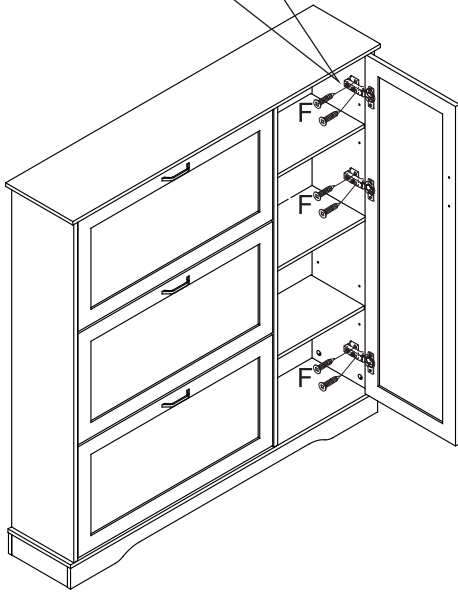
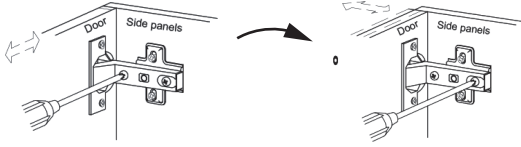
**18** Screw (F) through (H) into the holes in (6). Screw (P) through the holes in (6) into (Q).



19

Turn the left screw to adjust the door horizontally.

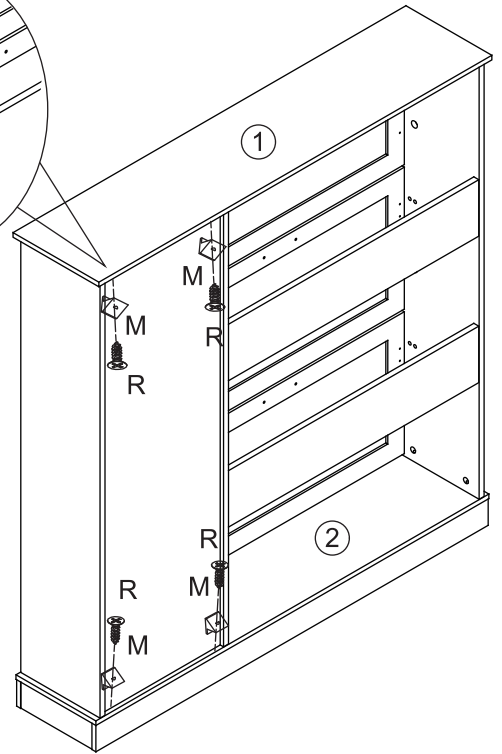
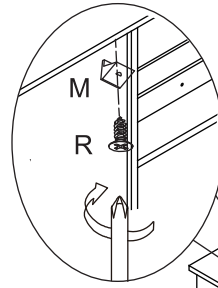
Turn the right screw to adjust the door in or out.



F×6

20

Screw (R) through (M) into (1) and (2).



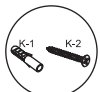
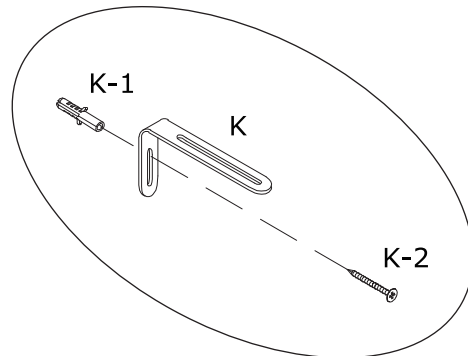
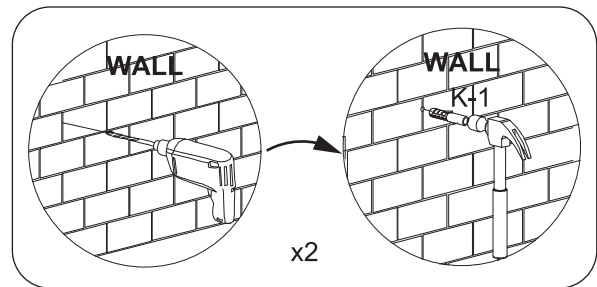
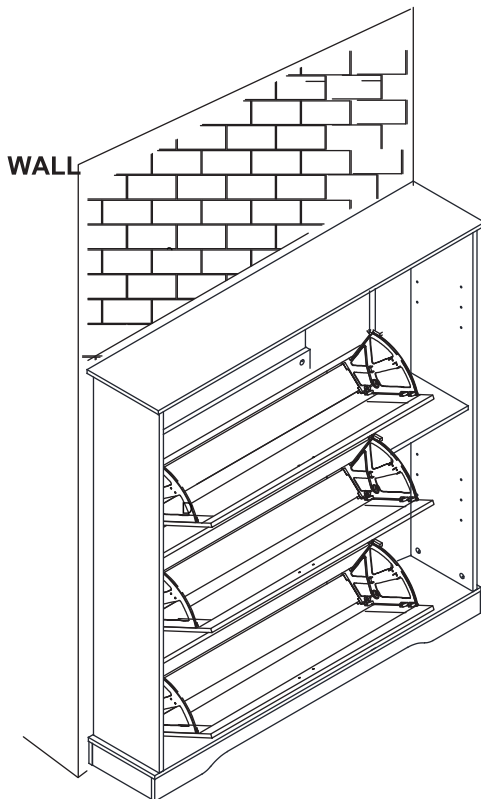
M×4



R×4

21

To prevent tipping, screw (K-2) through (K) into (K-1) to secure the cabinet.



K×2