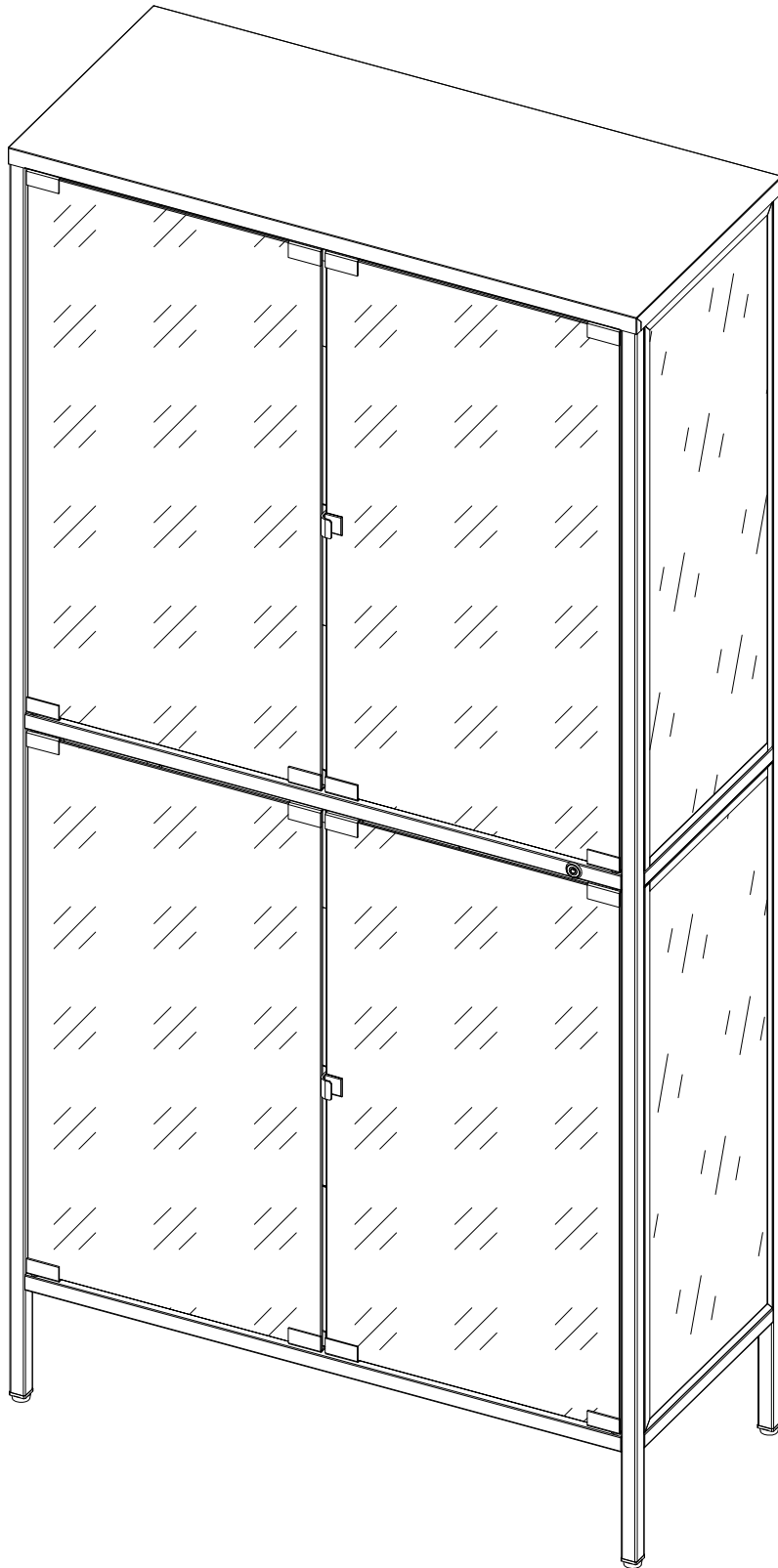
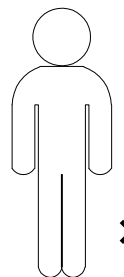
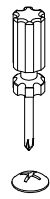
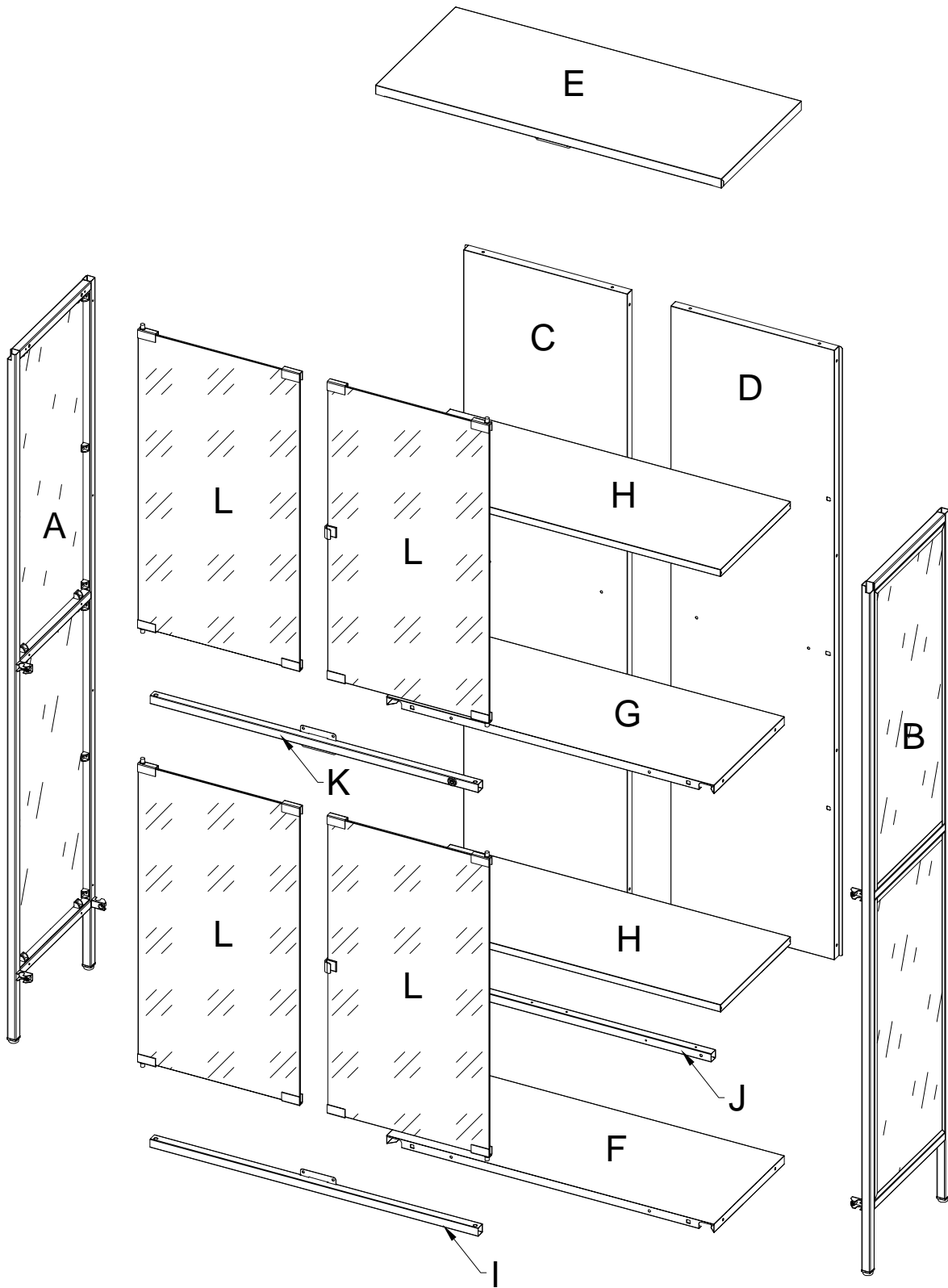
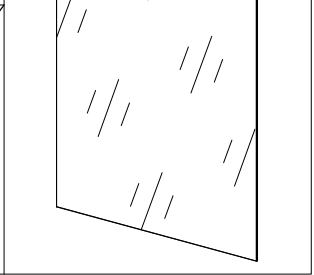
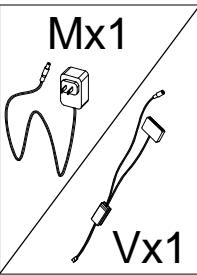
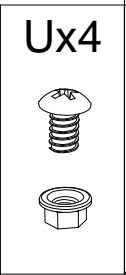
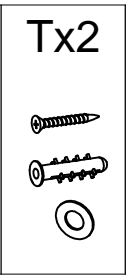
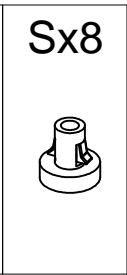
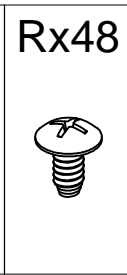
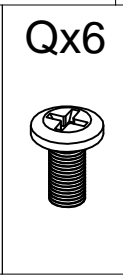
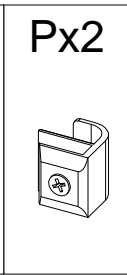
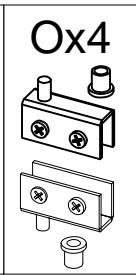
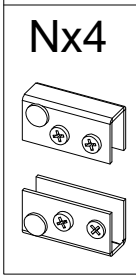
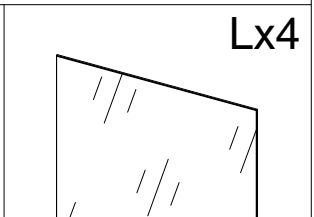
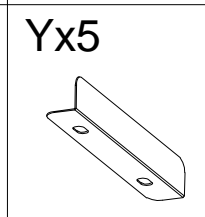
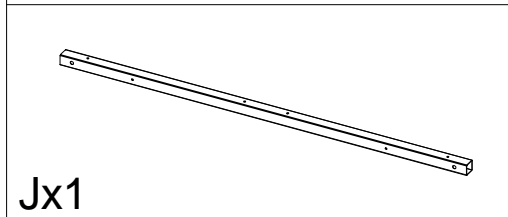
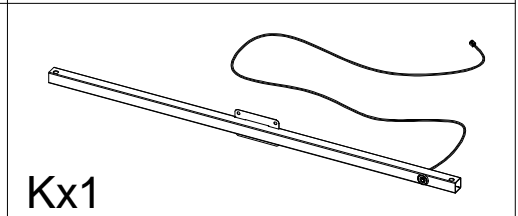
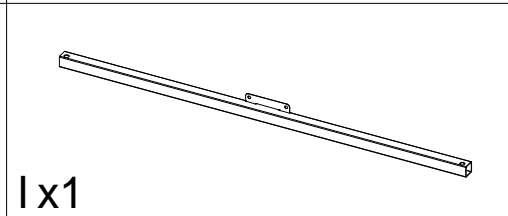
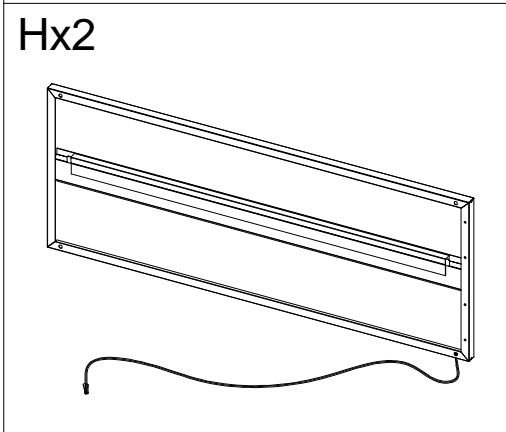
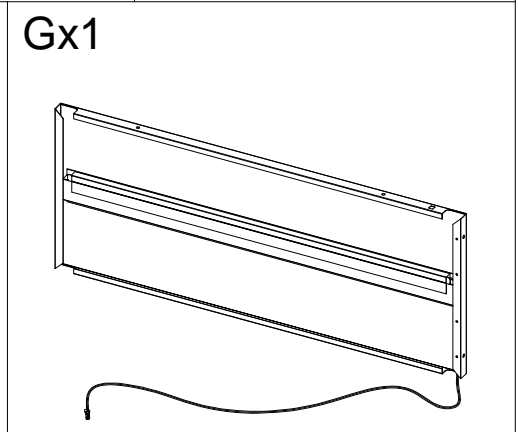
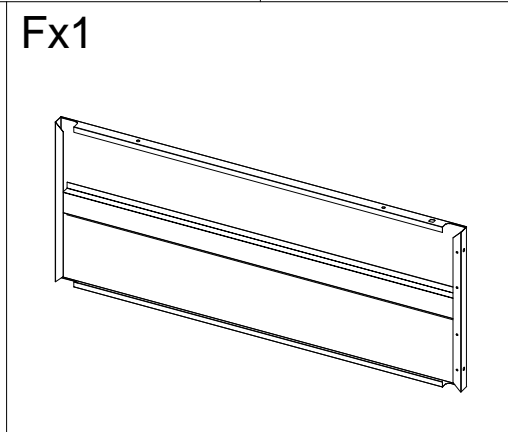
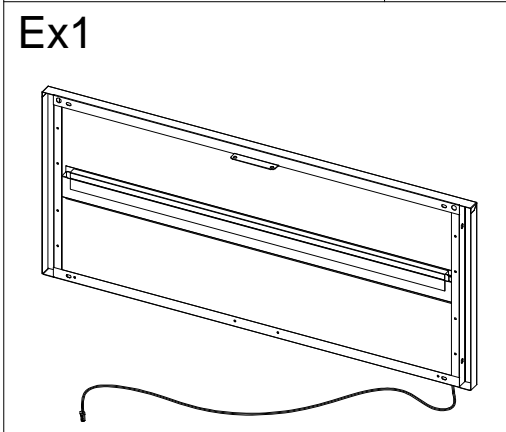
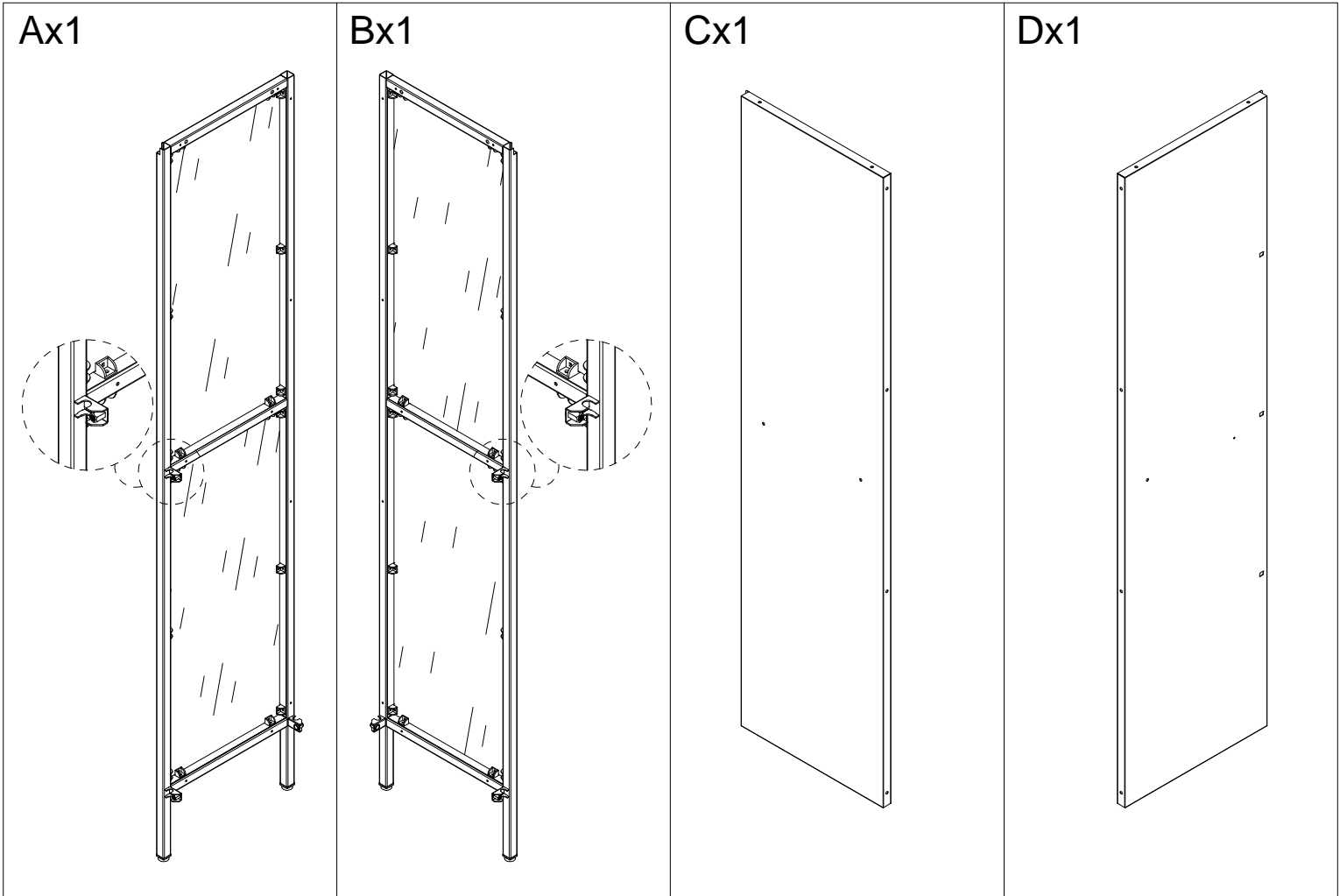


Installation Instructions





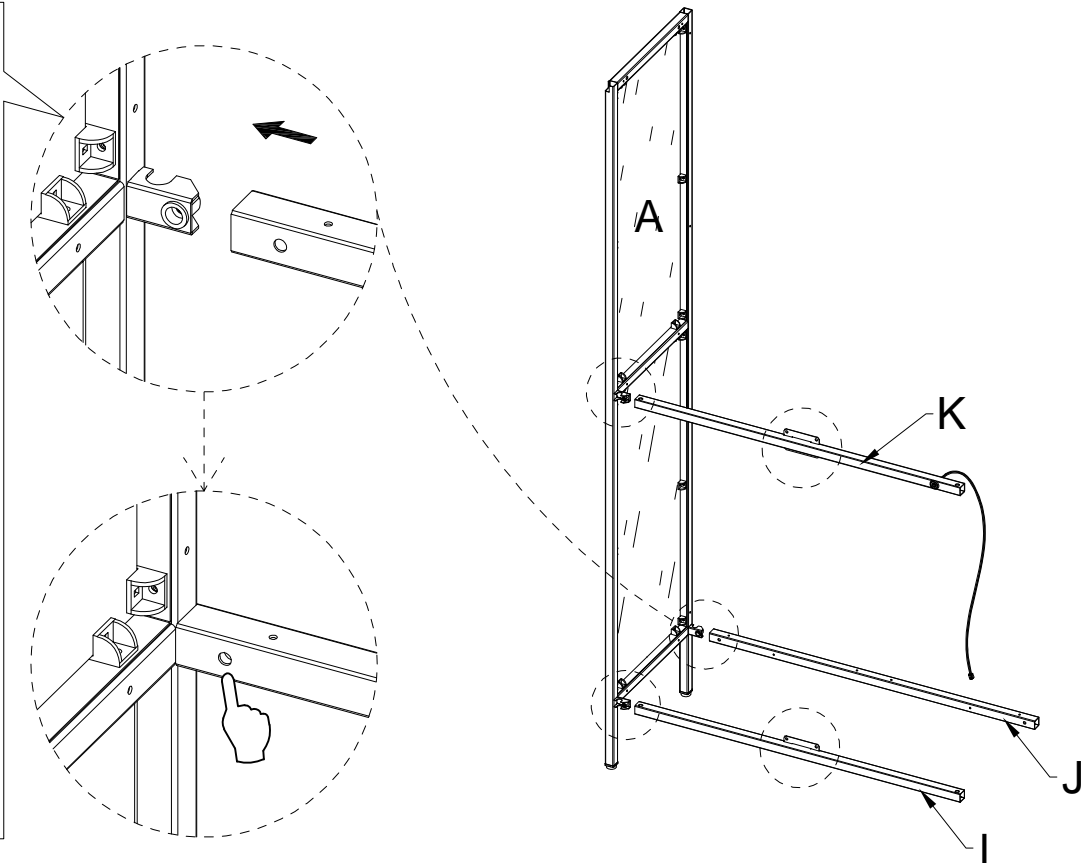
x2



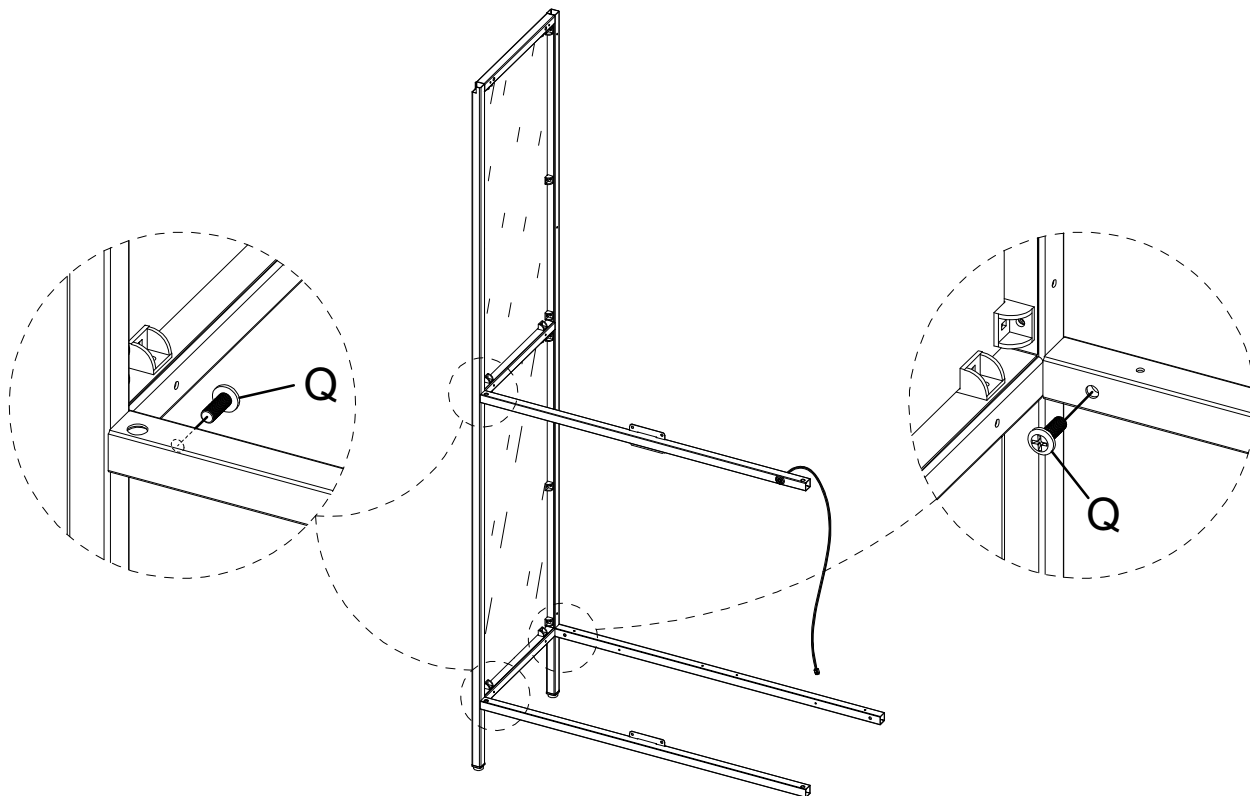
- 1 Locate Part A. Insert Parts K, I, and J into the protrusions on Part A according to the direction shown in the illustration, making sure all holes are aligned.

Pay attention to the correct orientation:

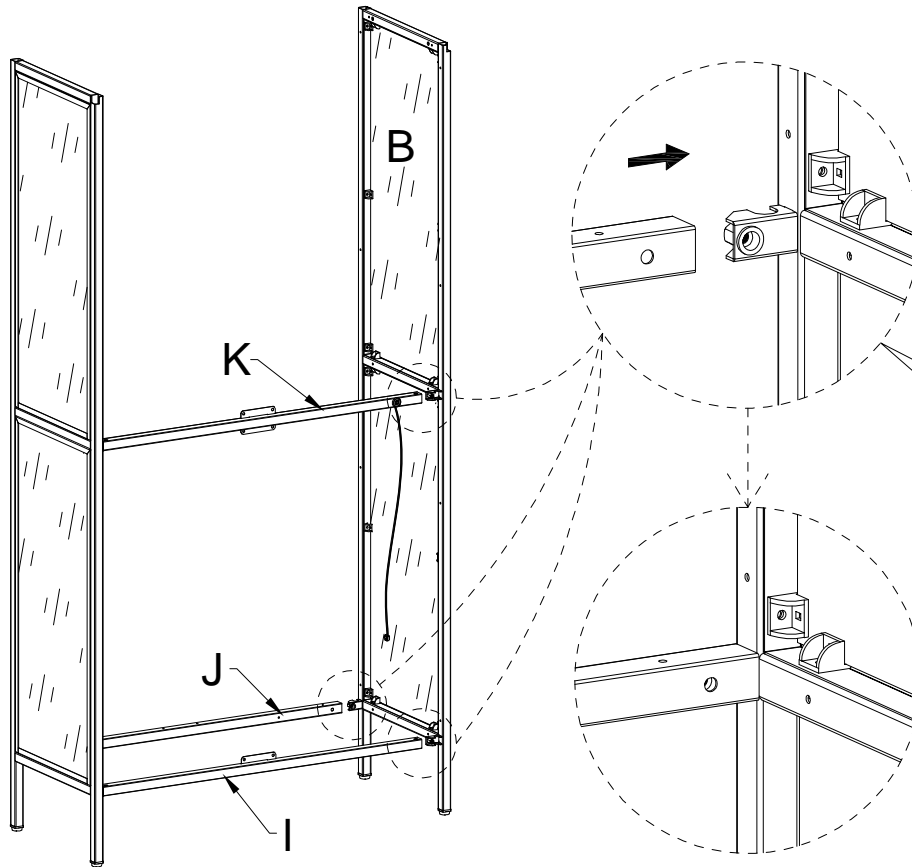
- ① The side of Part K with the metal sheet should face inward, with the wire positioned on the right.
- ② The side of Part I with the metal sheet should face inward and upward.
- ③ The large round hole on Part J must align with the hole on the protrusion of Part A.



- 2 Fasten Parts K, I, and J with 3 screws. Note that the 3 screws should be tightened from inside the cabinet.

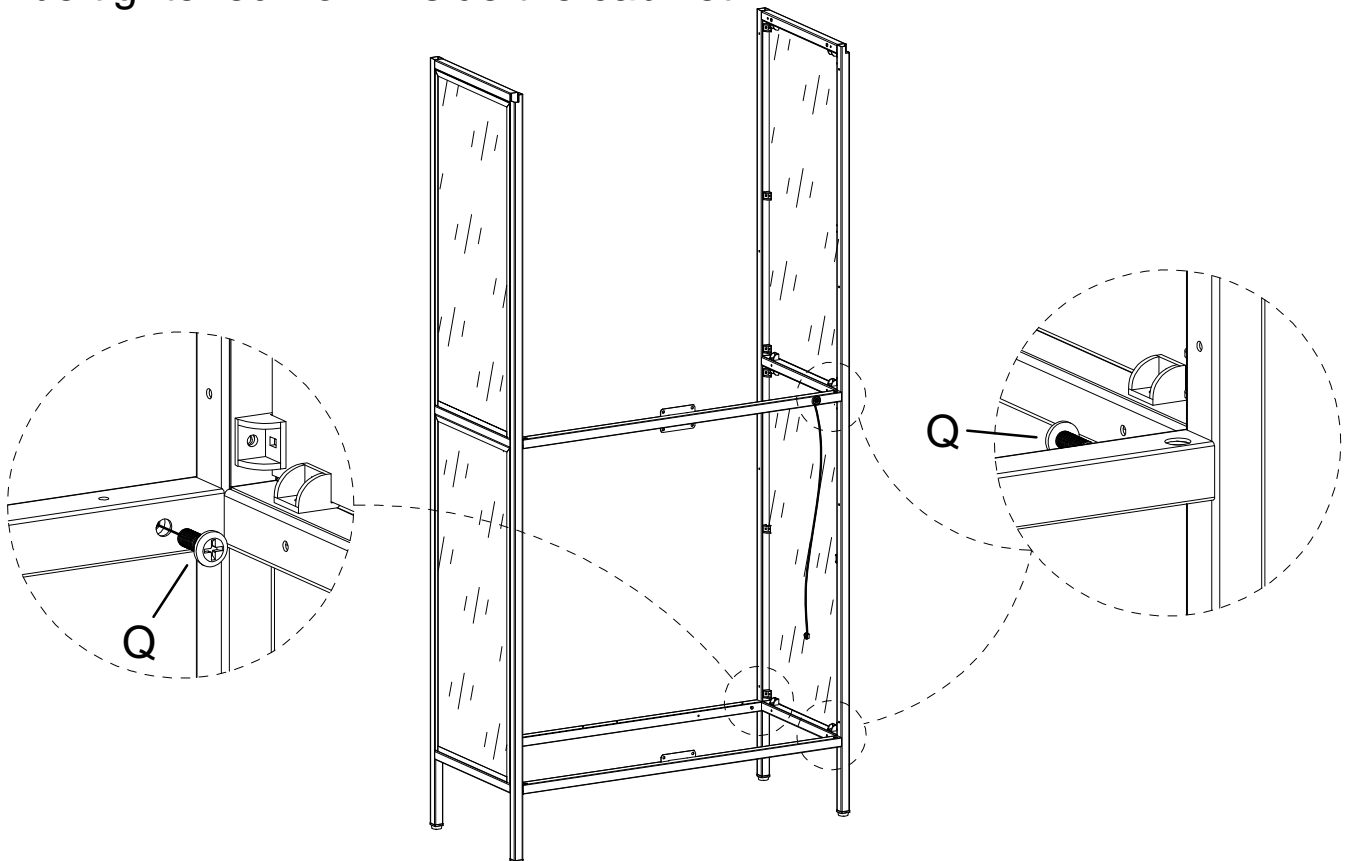


- 3 Use the same method to fasten the other ends of Parts K, I, and J to part B.

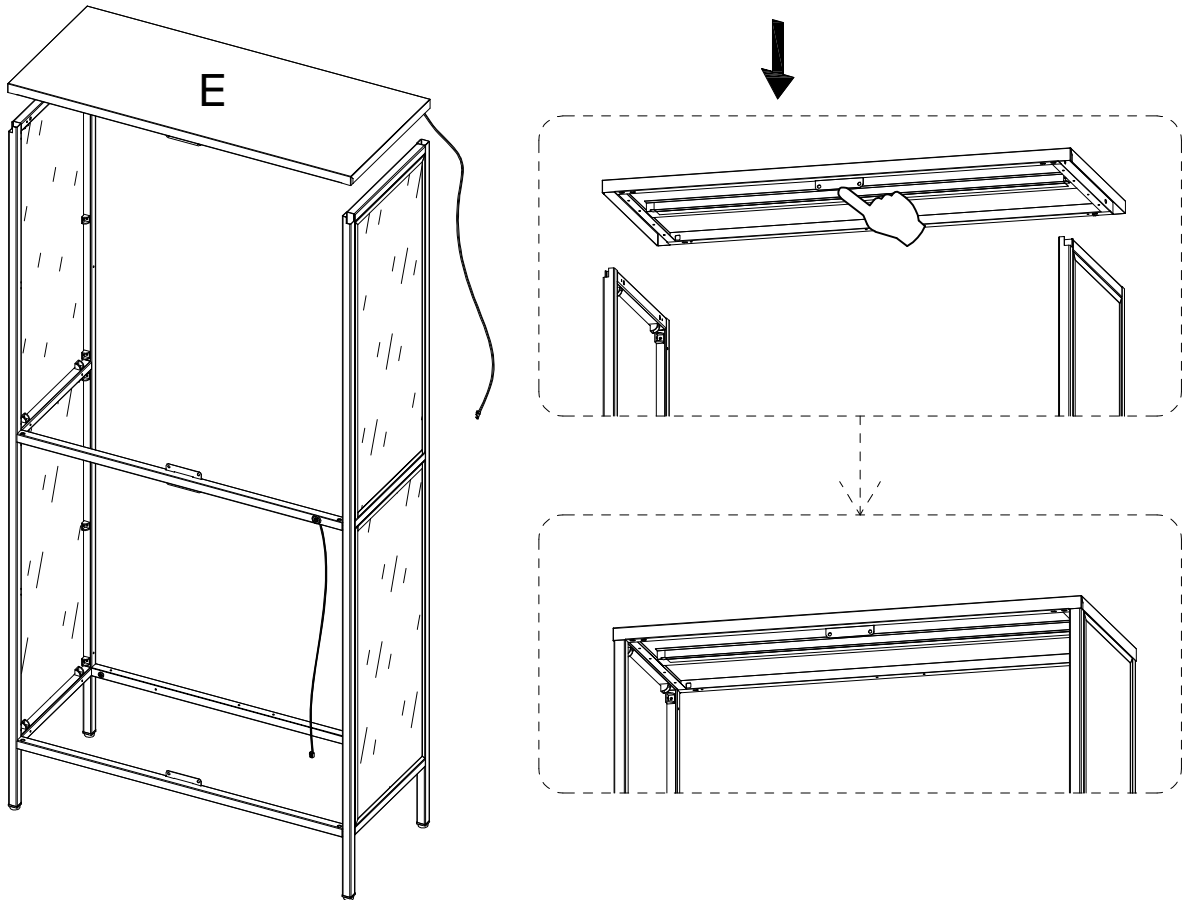


Note: All three Parts (K, I, and J) must be installed and aligned at the same time to ensure proper assembly.

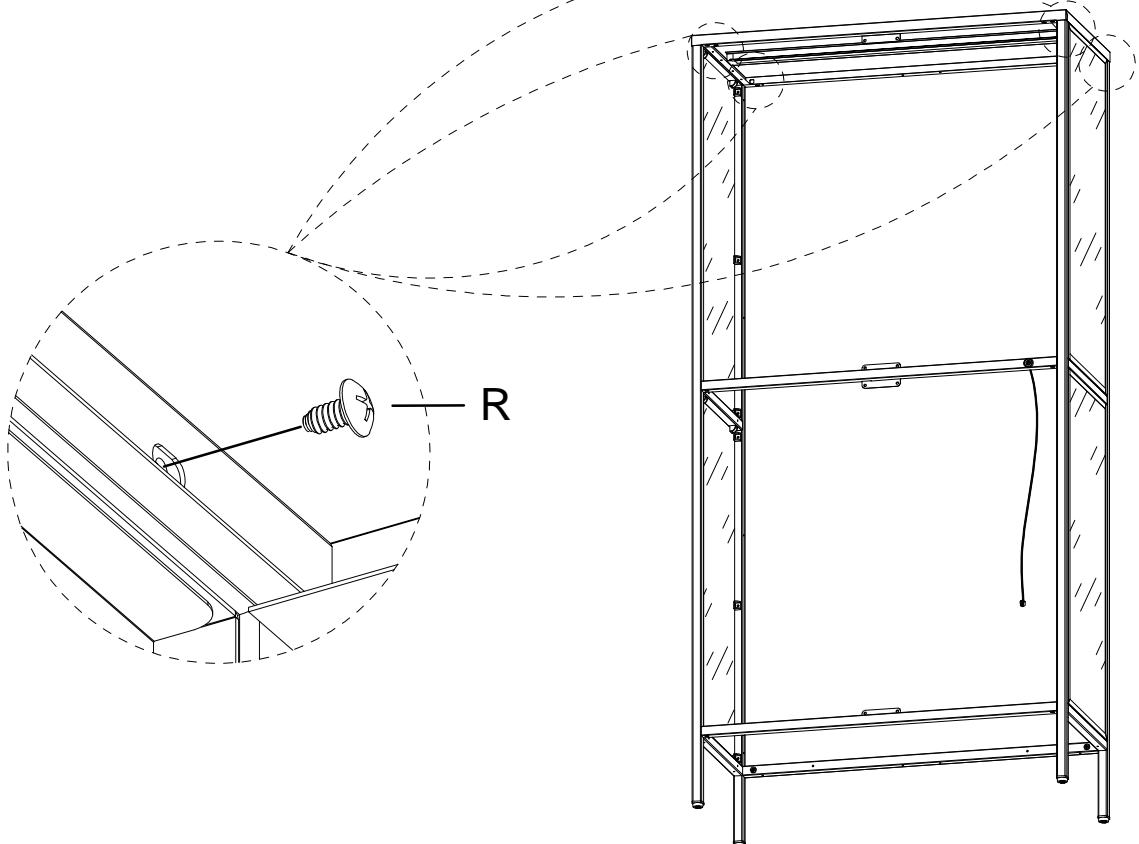
- 4 Fasten Parts K, I, and J with 3 screws. Note that the 3 screws should be tightened from inside the cabinet.



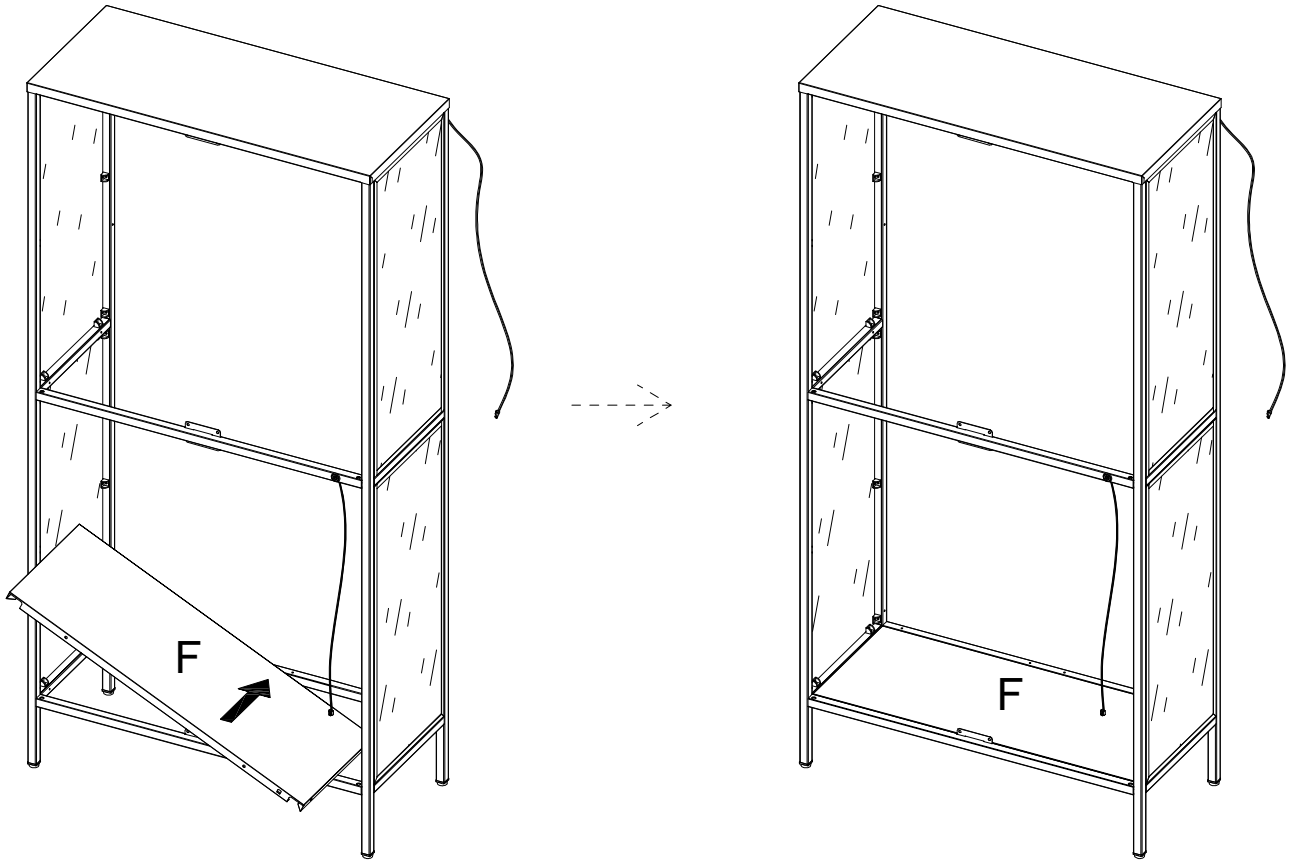
- 5 Install Part E, making sure that the side with the metal sheet is facing forward, i.e., on the same side as K.



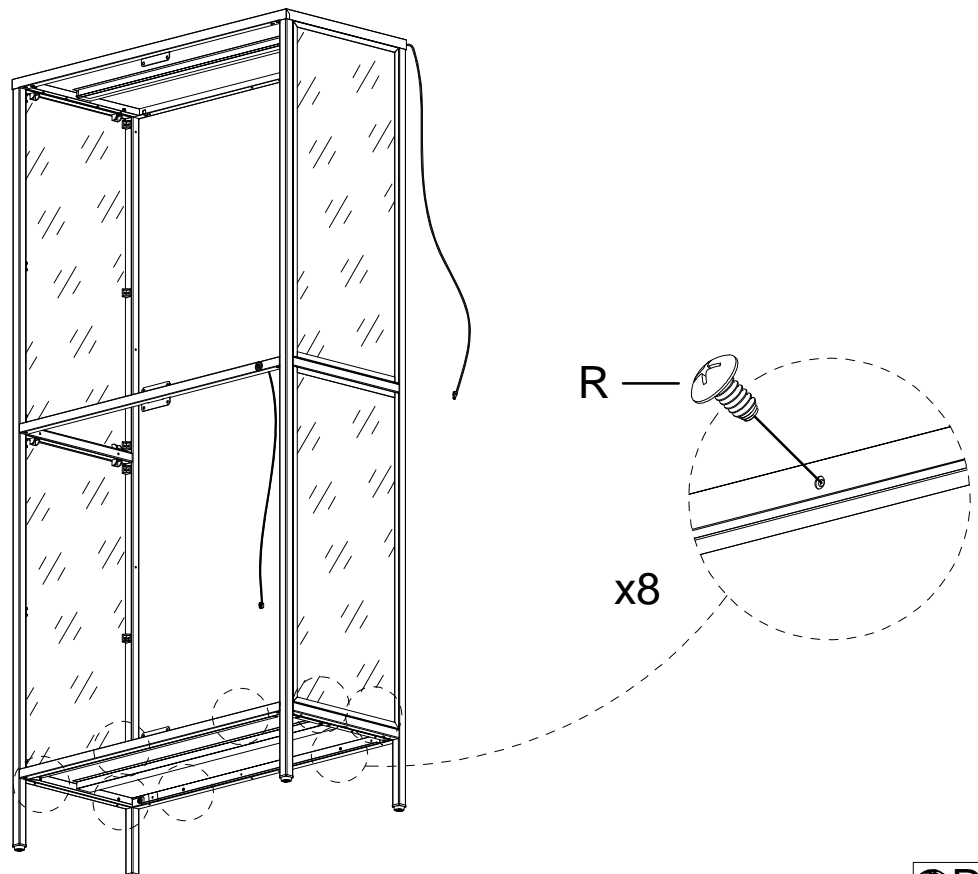
- 6 Fasten Part E from the inside of the cabinet by using 4 screws.



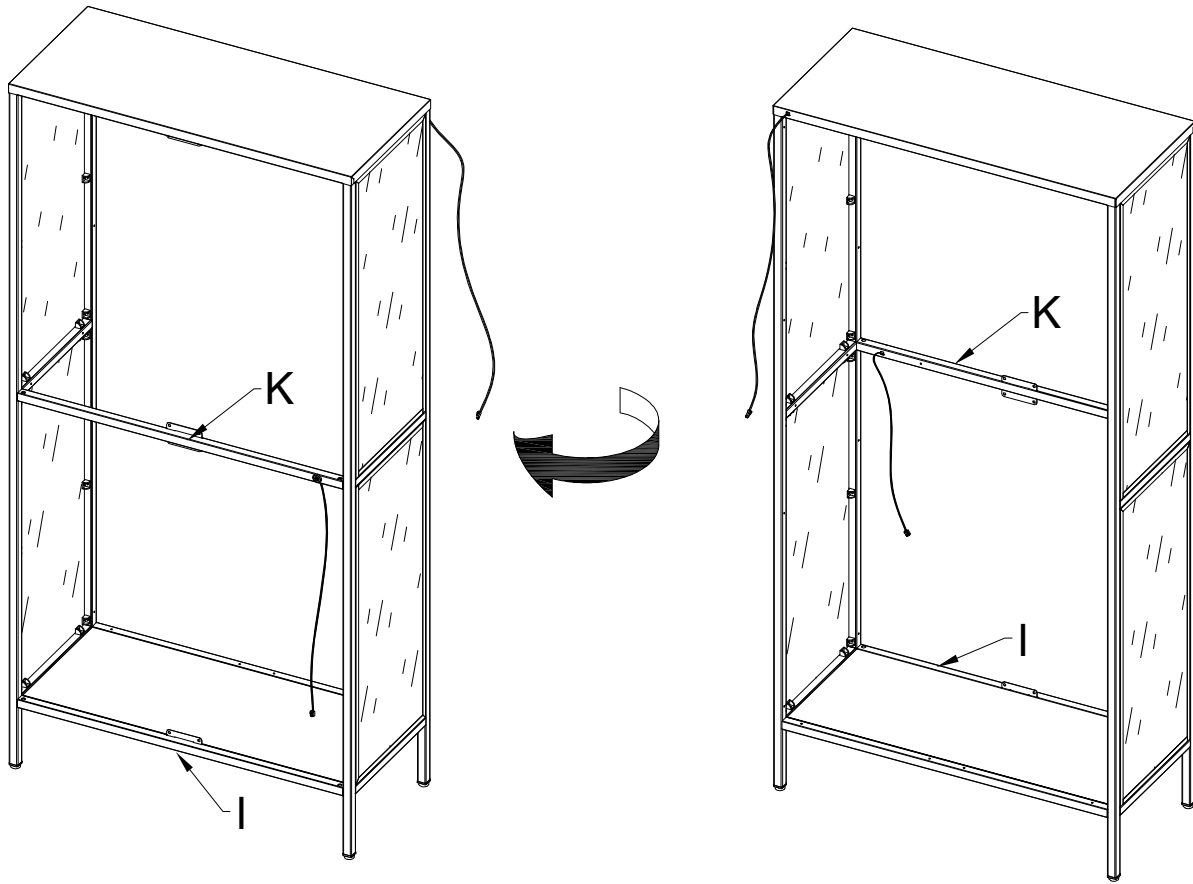
7 Install Part F.



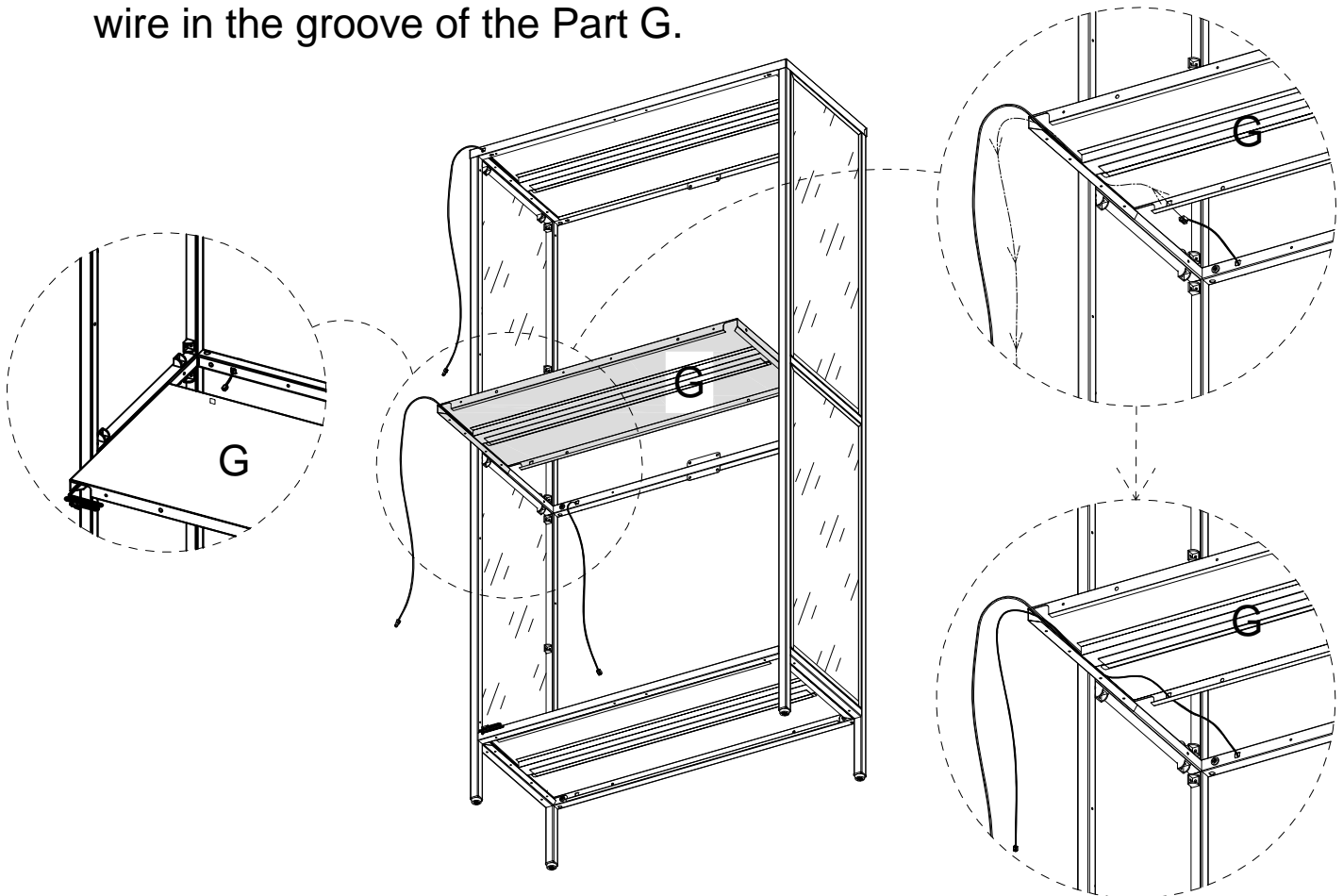
8 Fasten Part F from the bottom of the cabinet by using 8 screws.



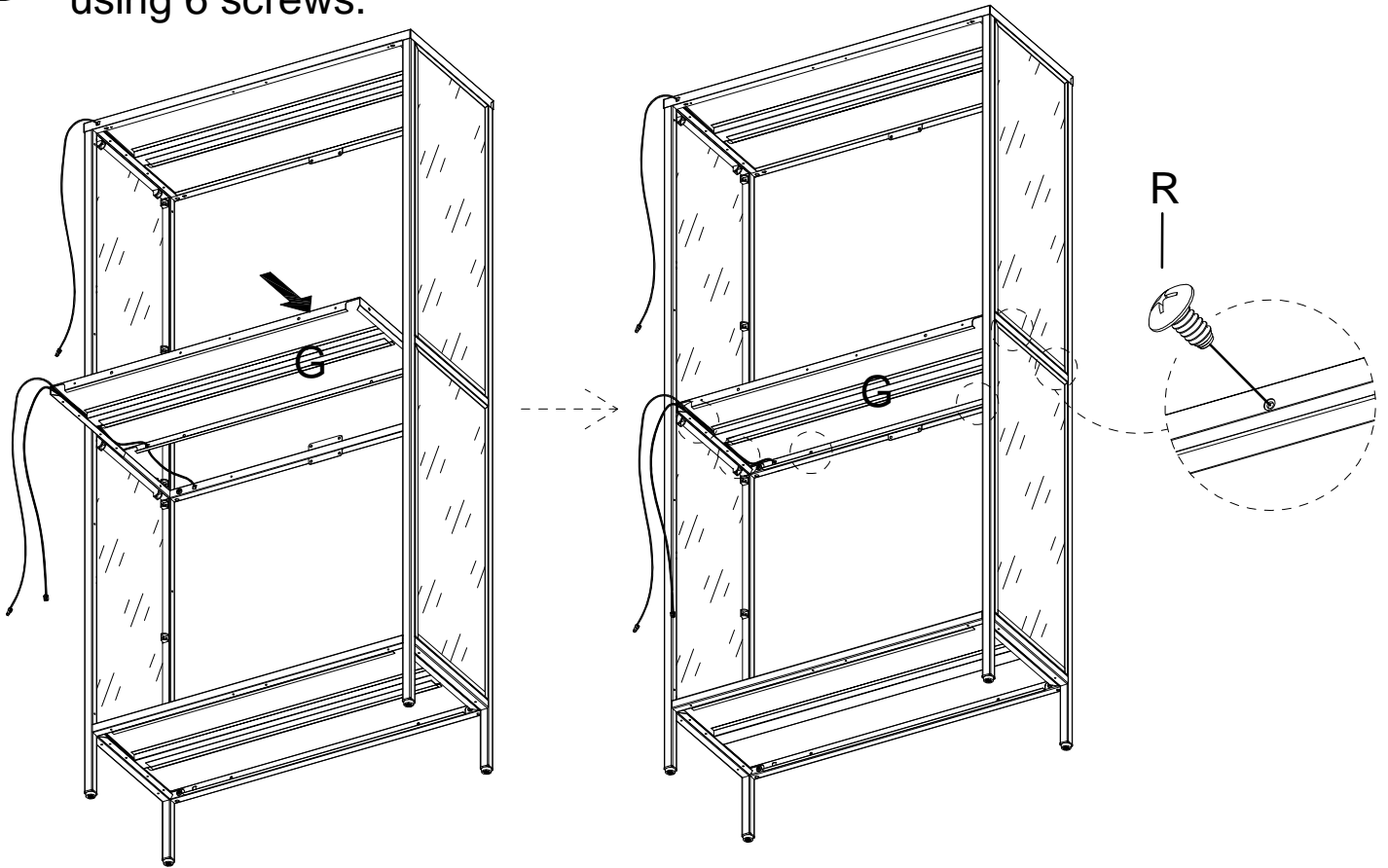
9 For ease of installation, please move to the back of the cabinet.



10 When installing Part G, first thread the wire of Part K through the hole on the left side of Part G as shown in the illustration, then place the wire in the groove of the Part G.

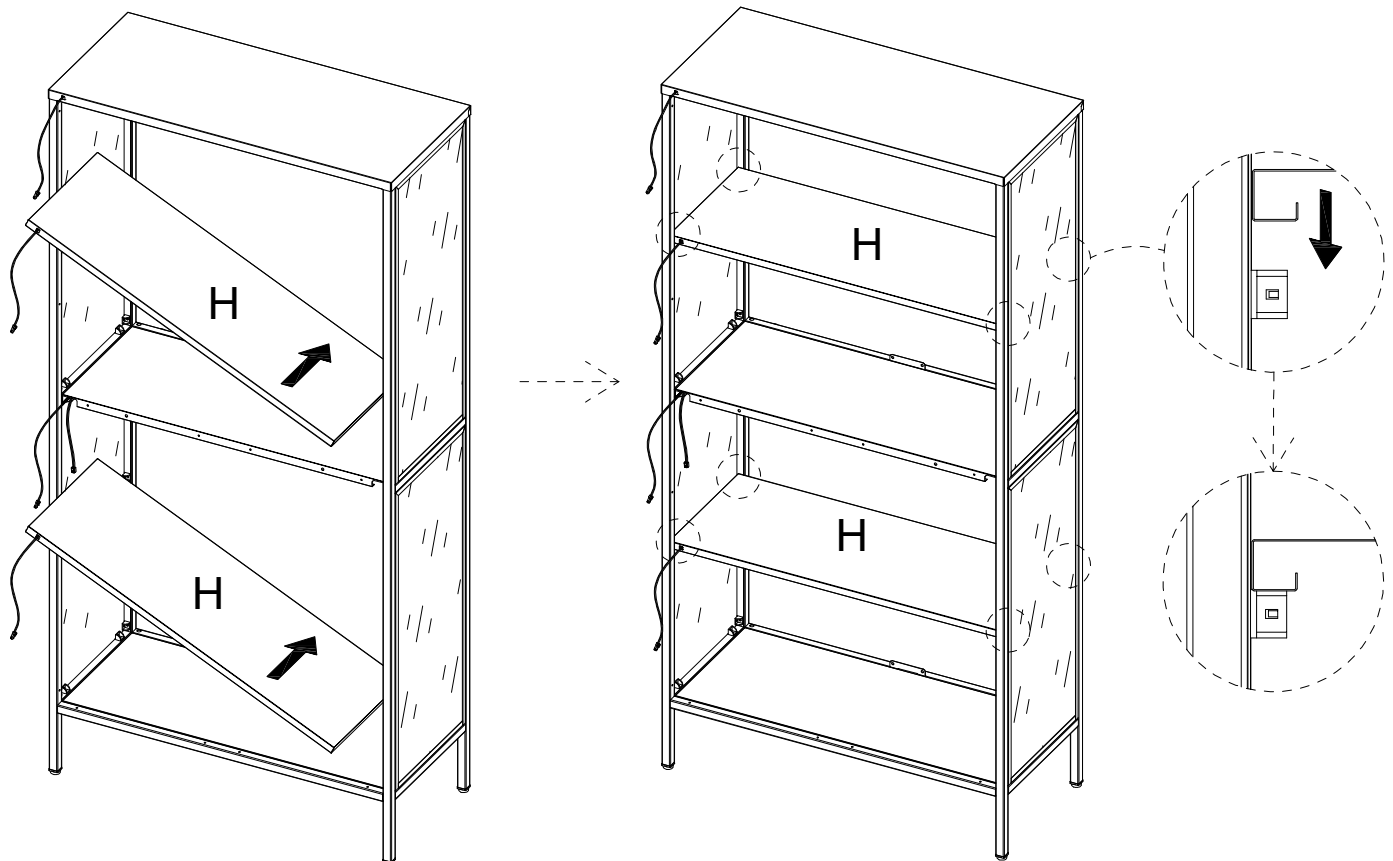


- 11 After installing the wire, fasten Part G from the inside the cabinet by using 6 screws.

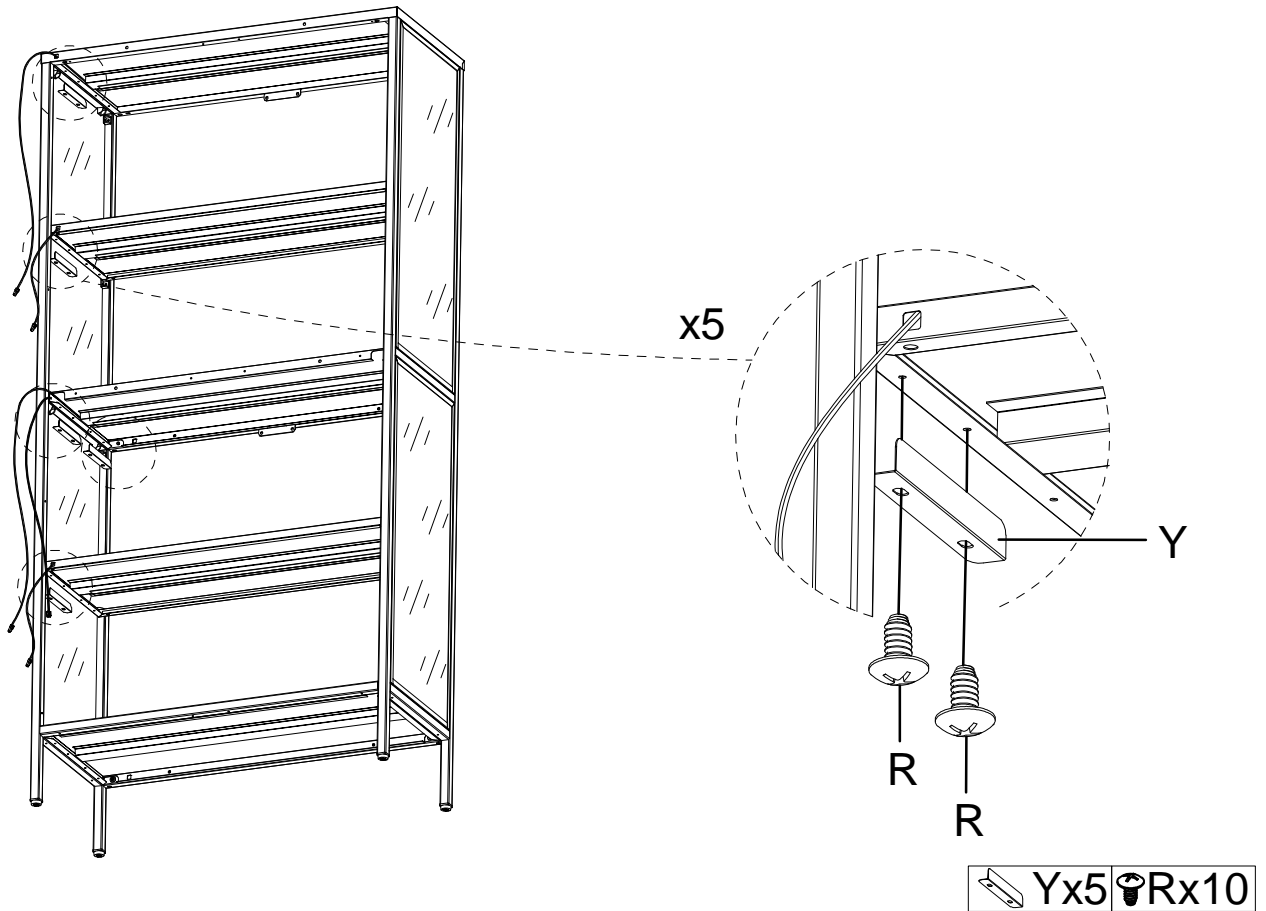


Rx6

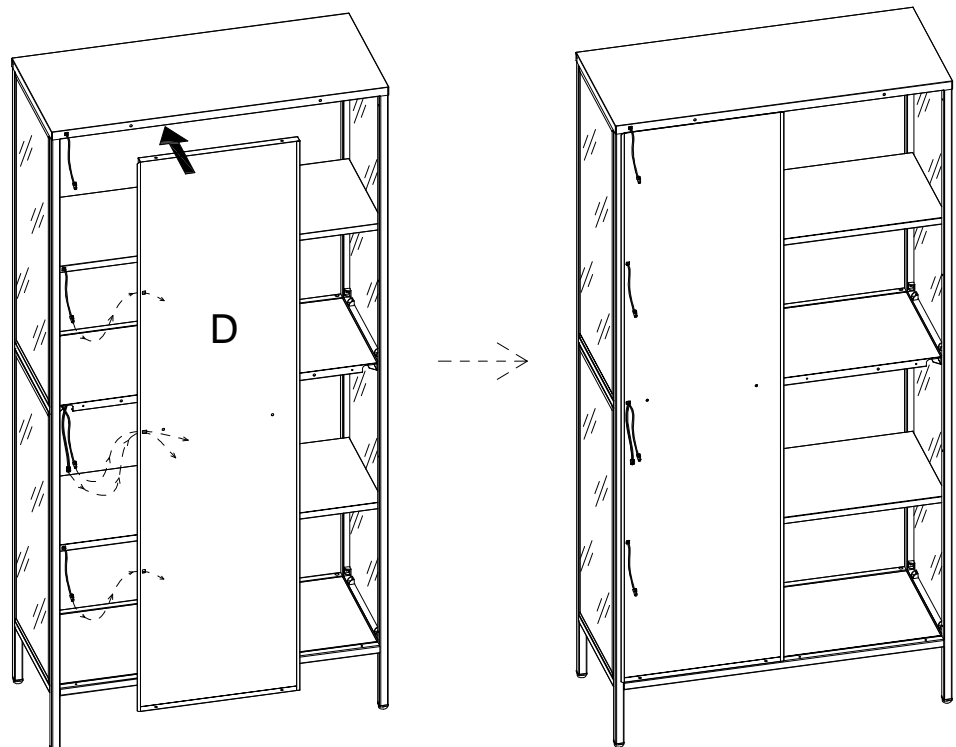
- 12 Install Part H, making sure that all wires are exposed outside the cabinet.



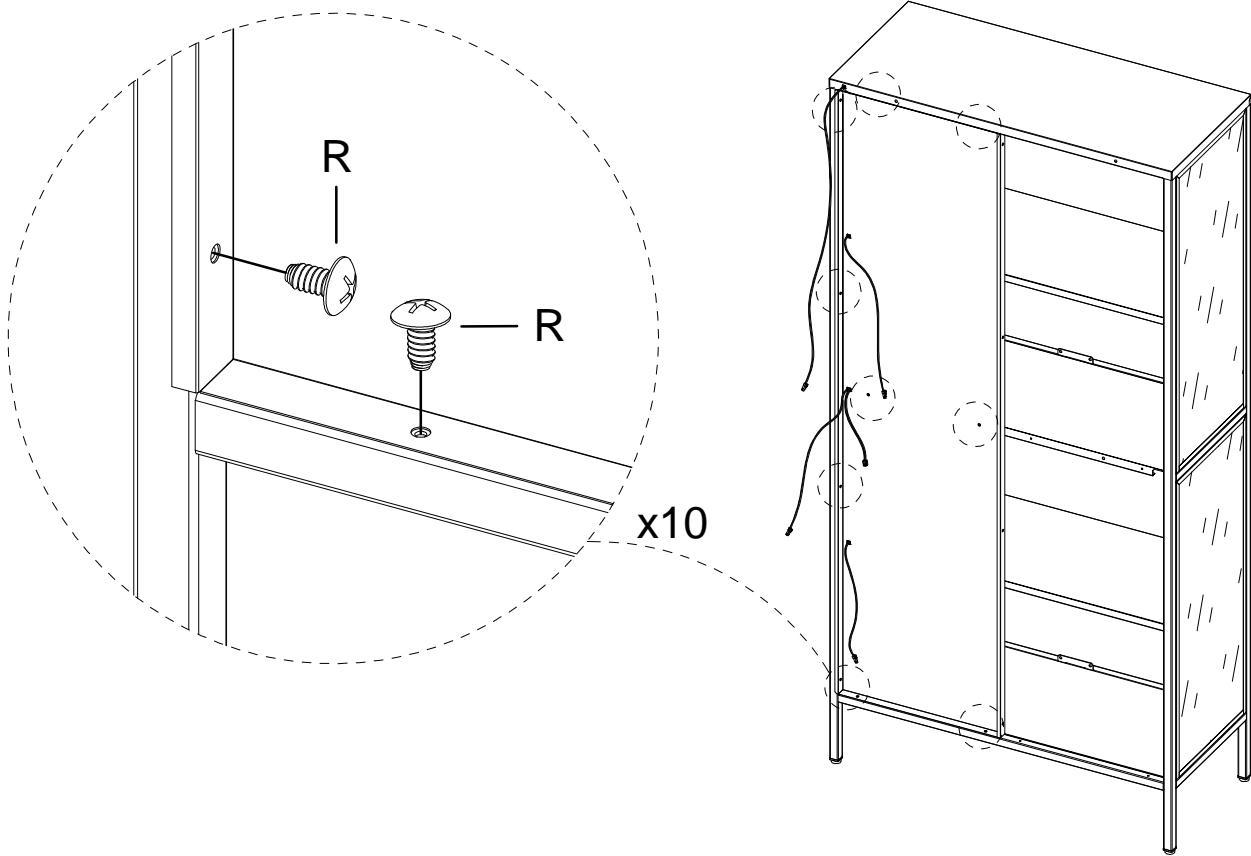
13 After organizing the wires, use 10 screws to install the 5 Parts Y.



14 Before installing Part D, make sure the folded edges are facing outward. Then, thread the wire from the left side of the shelves through the corresponding hole (note: the wire on the top panel does not need to go through a hole). After organizing the wires properly, place Part D into its designated position.

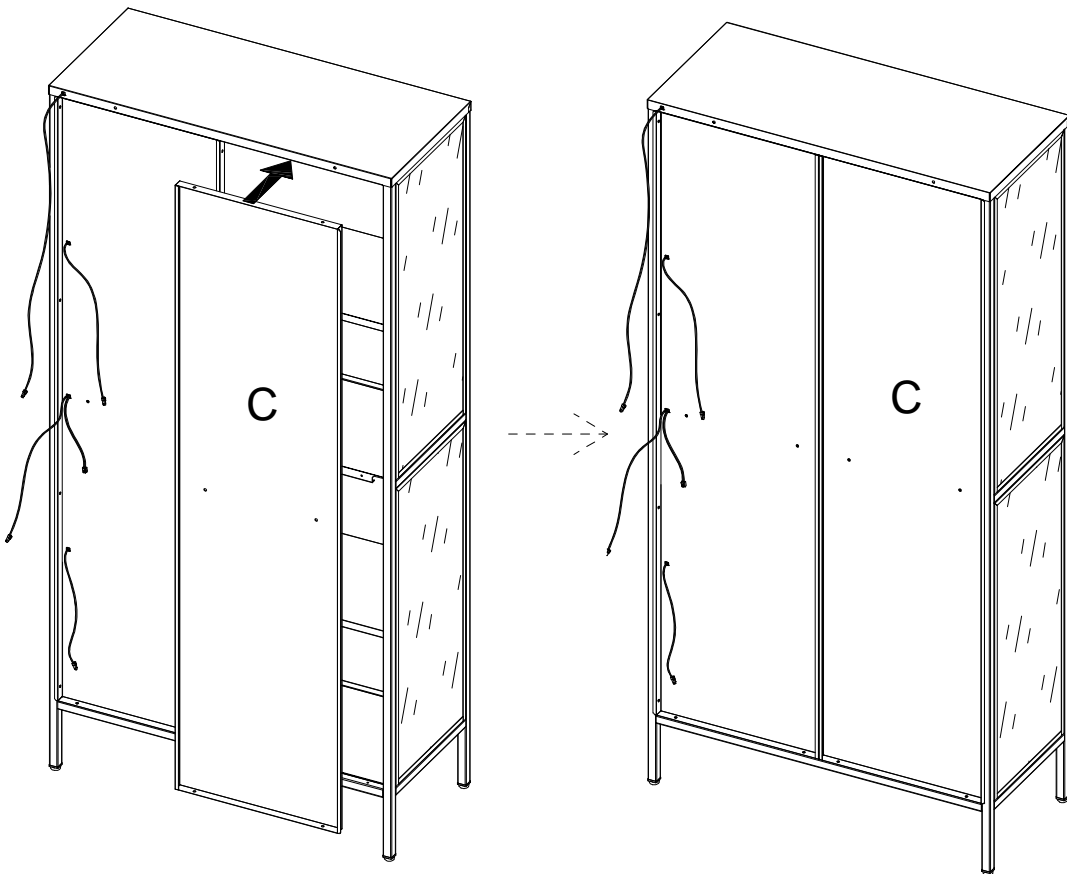


15 Fasten Part D with 10 screws.

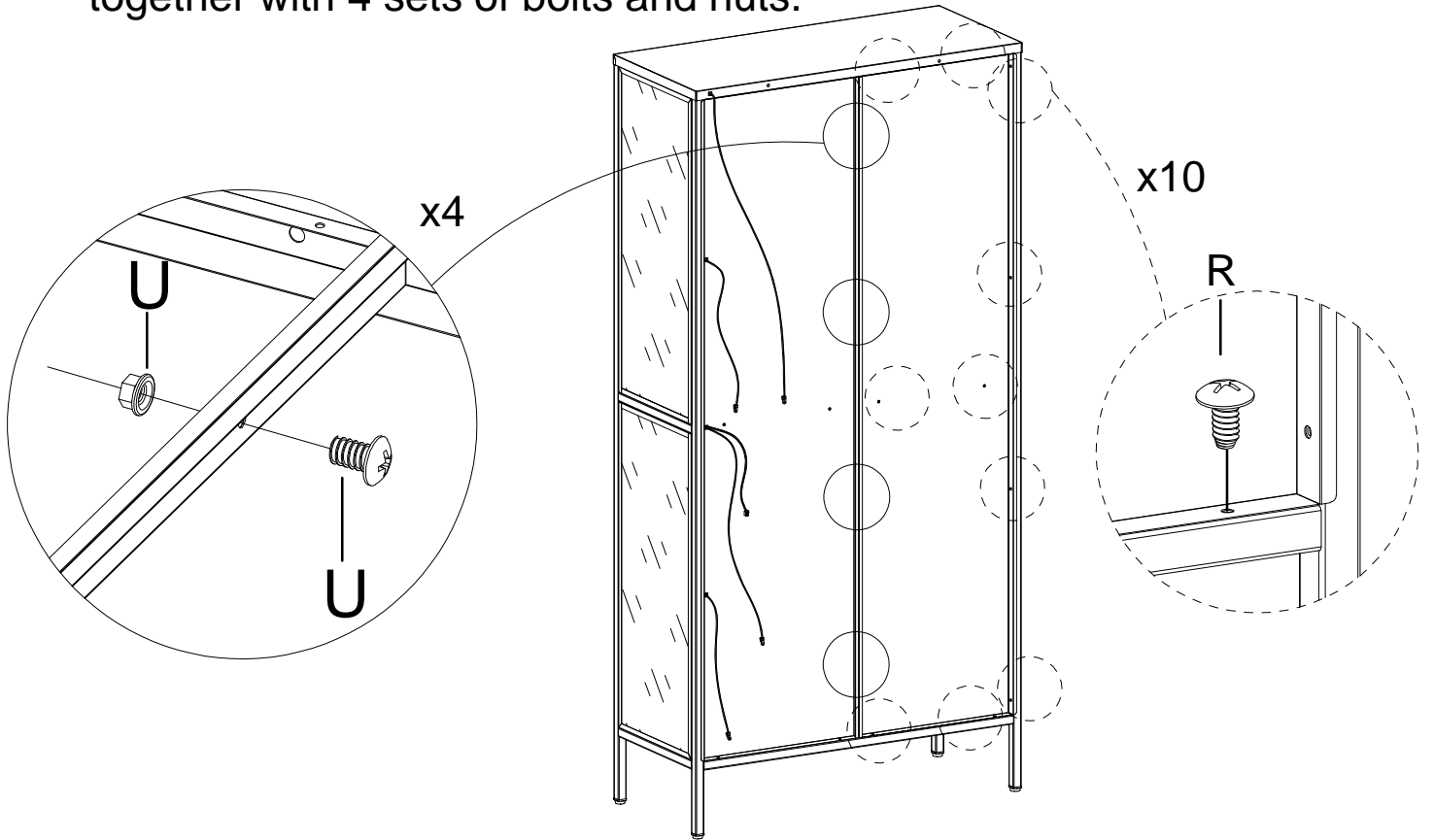


 Rx10

16 Place Part C, making sure that the folded edge faces outward.

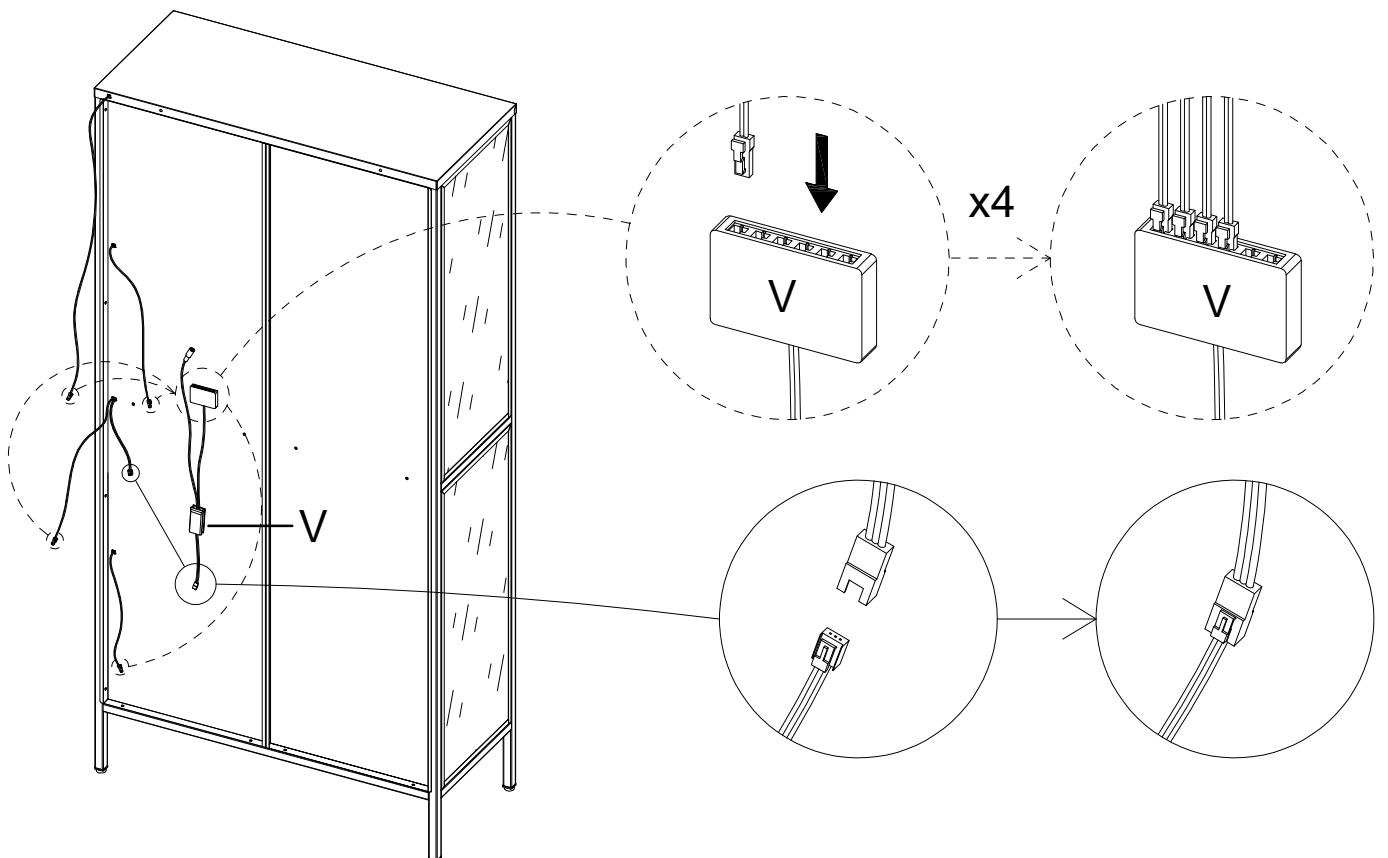


- 17 First, secure Part C with 10 screws, then connect Parts C and D together with 4 sets of bolts and nuts.

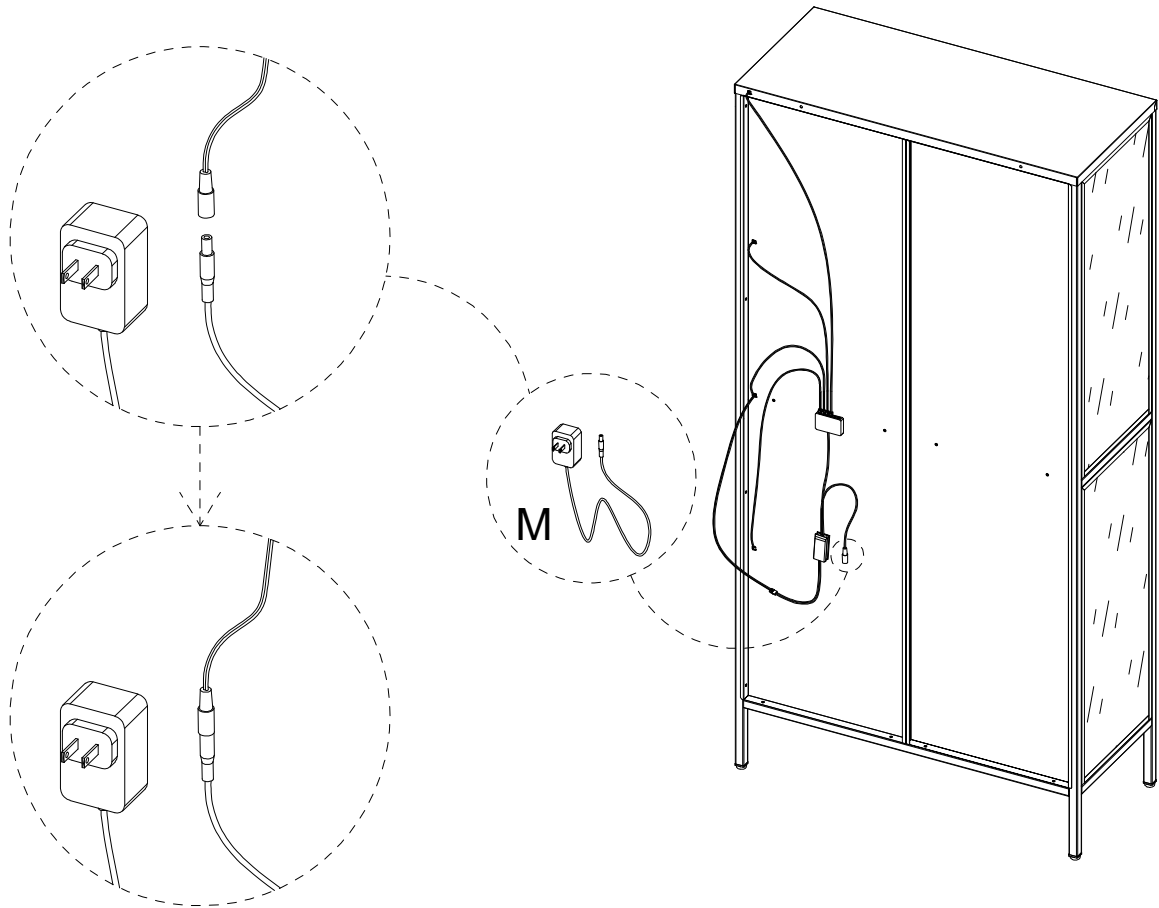


  Ux4  Rx10

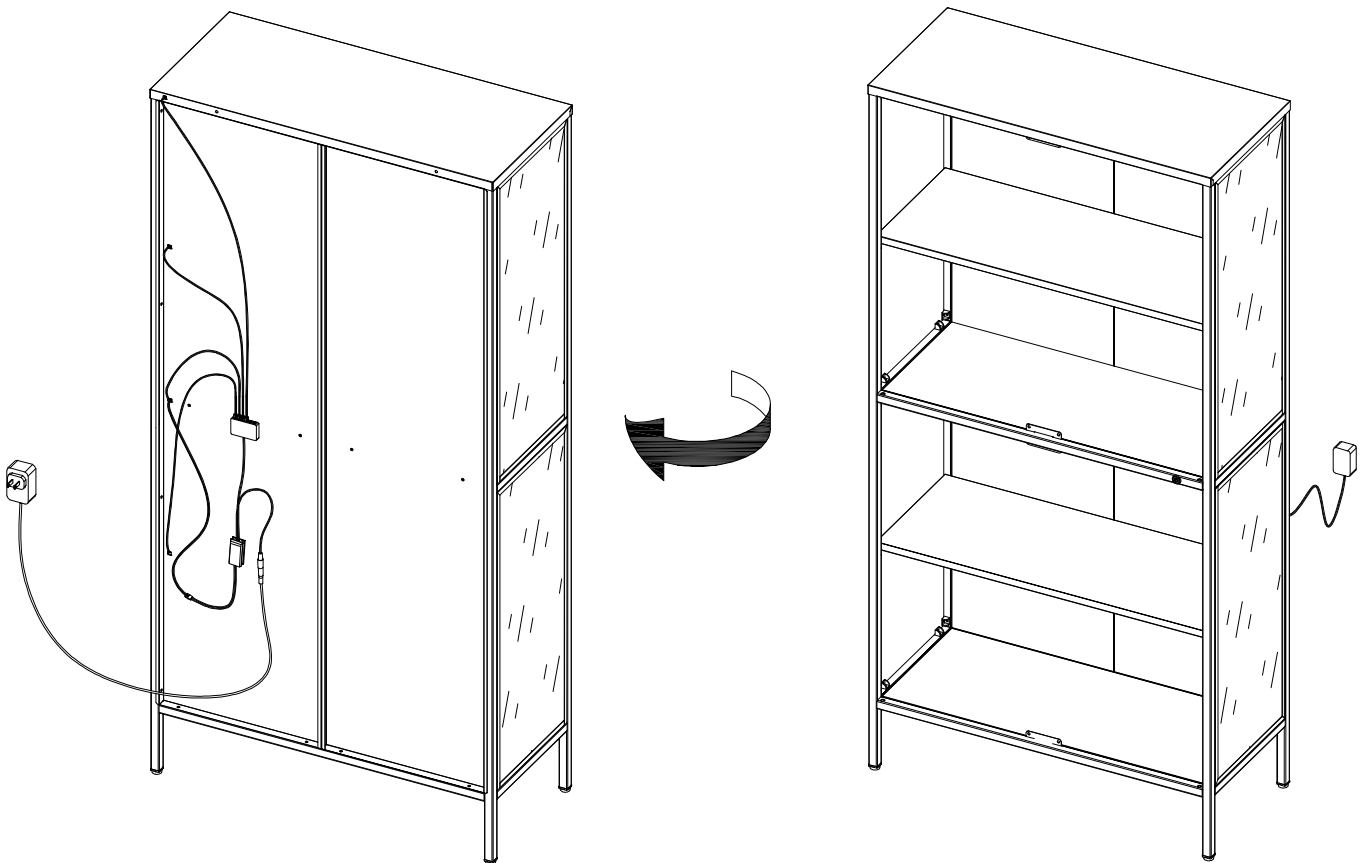
- 18 Connect the wires to Part V as shown in the diagram, then attach Part V to the backplate using its magnetic connection.



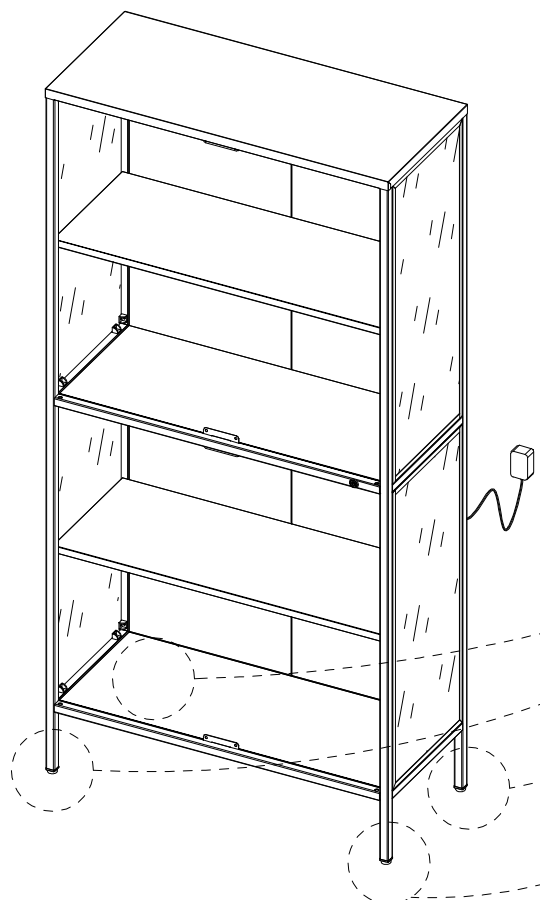
19 Connect Part M and Part V.



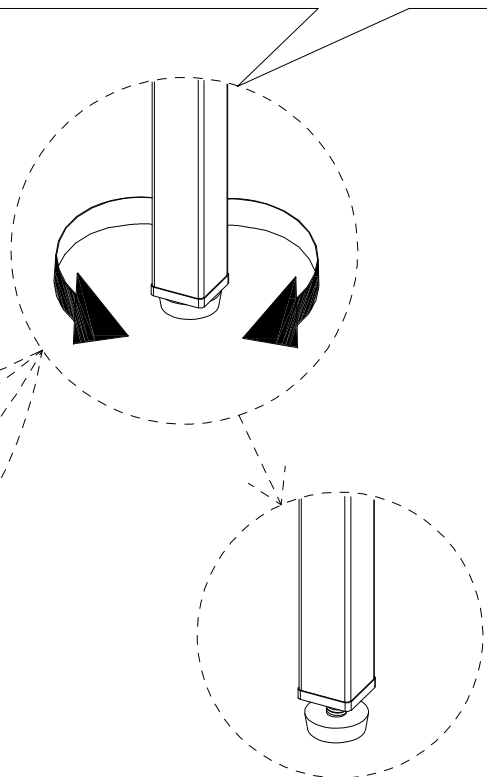
20 Move to the front of the cabinet to install the door panel.



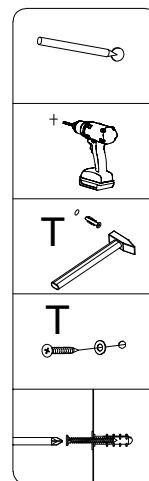
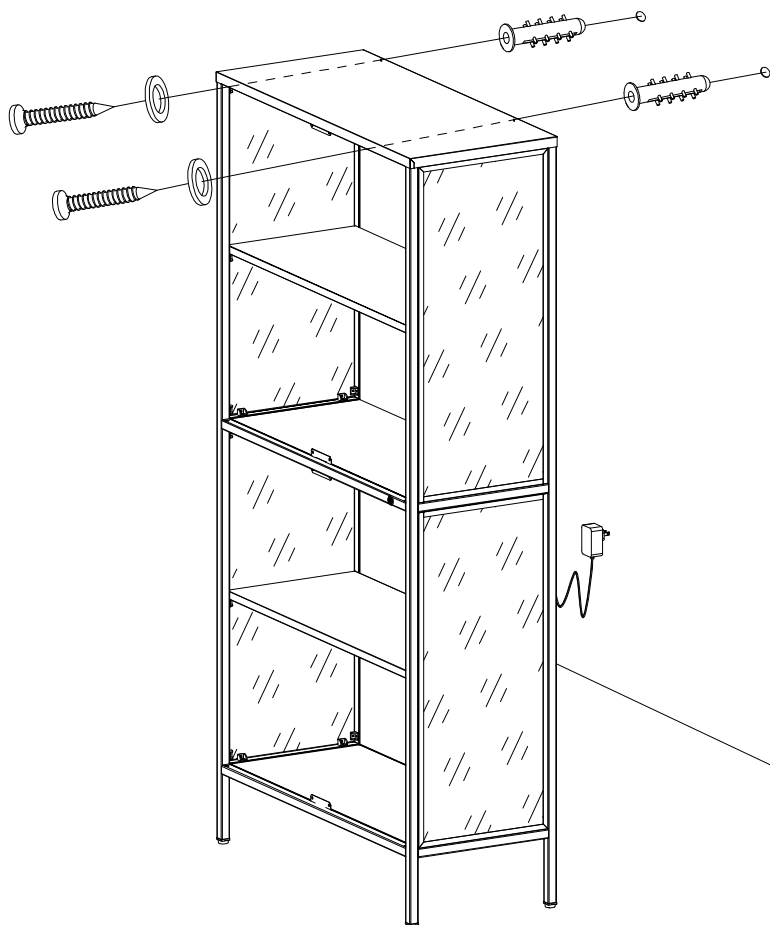
21



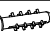


If the ground is uneven, it can be adjusted by rotating the screw. This will fix the situation that the door is not easily opened or closed.



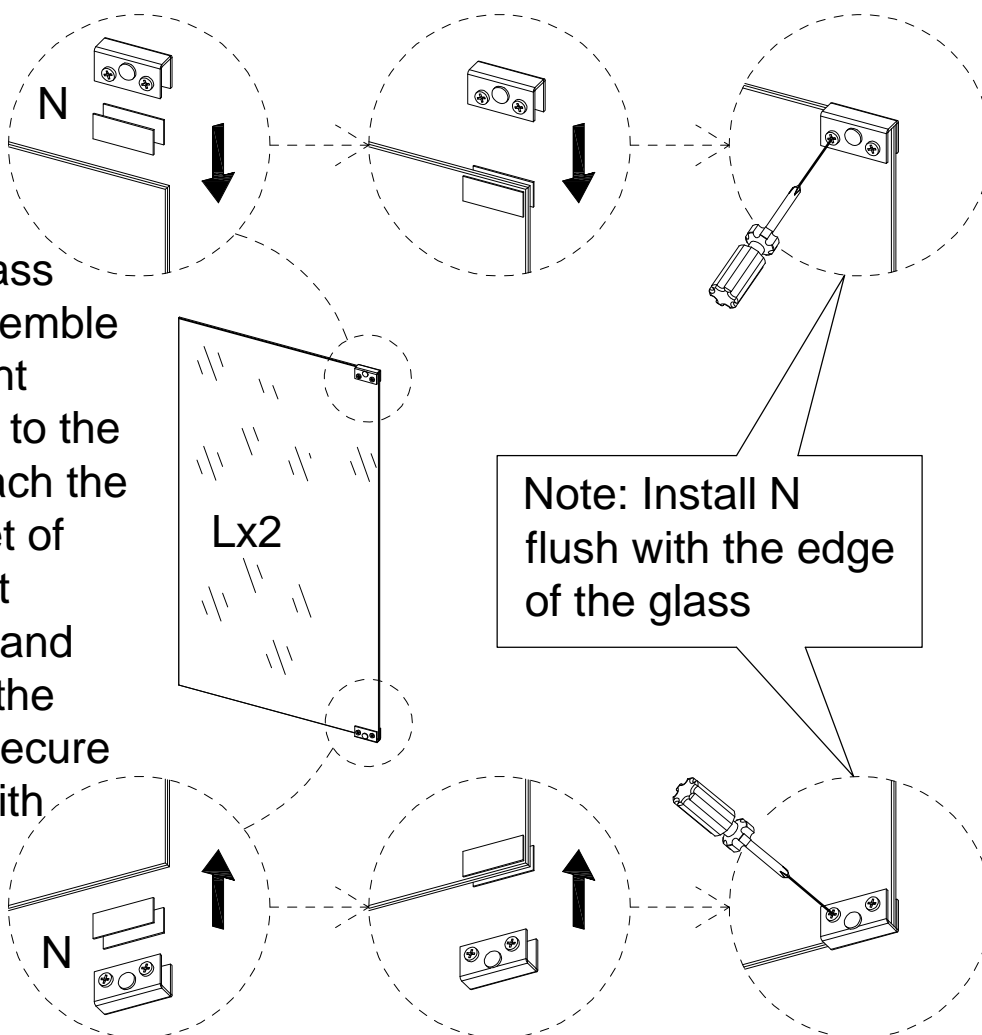
22 The cabinet can be fixed to the wall as needed.



   T×2

23

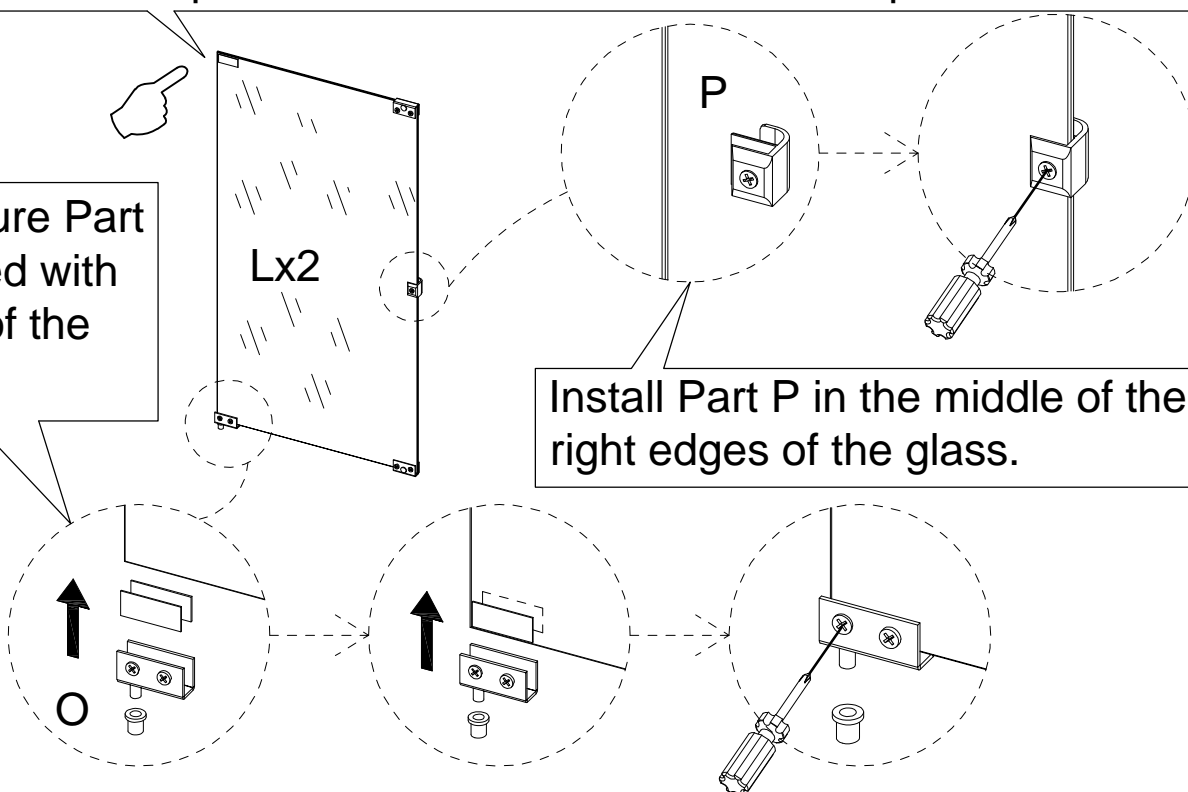
First, take two glass panels L and assemble them into two right doors. According to the diagram, first attach the two plastic gasket of Part N to the right corner of the top and bottom edges of the glass, and then secure Part N in place with screws.



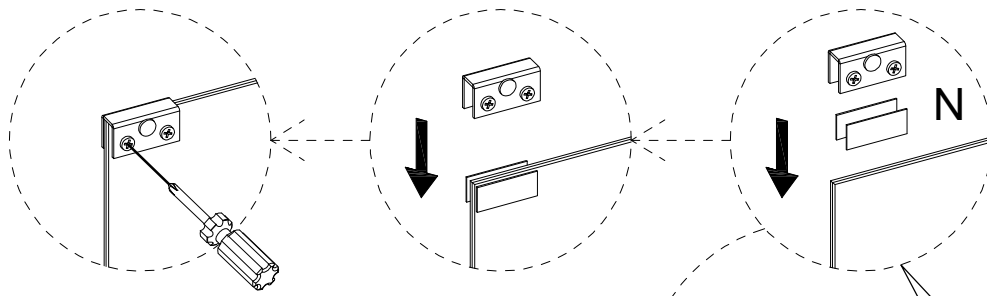
24 Install Part O on the lower left corner of the glass by using the same installation method. Note that the side of Part O with the small pin is on the outer side.

Note that only plastic gaskets should be installed on the upper left corner at this step and don't install screws at this step.

Note: Ensure Part O is aligned with the edge of the glass.

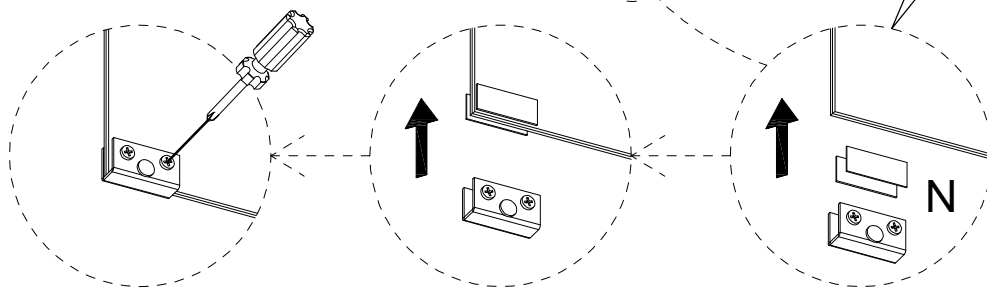
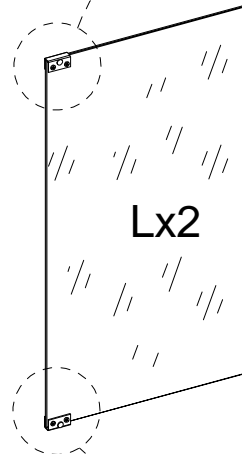


25



Take out the other two pieces of glass L and assemble them into two left doors. Install Part N in the same way, noting that this time Part N is on the left side of the glass.

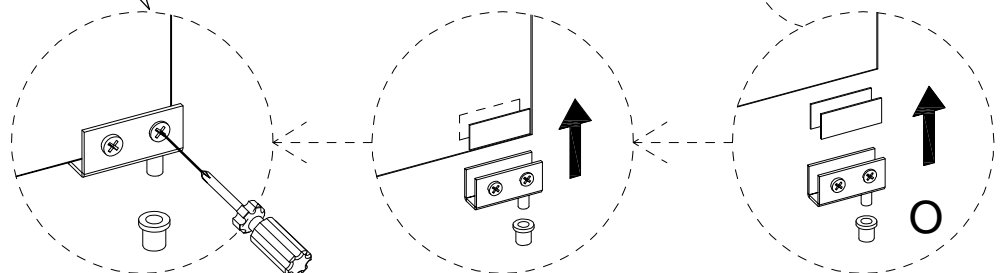
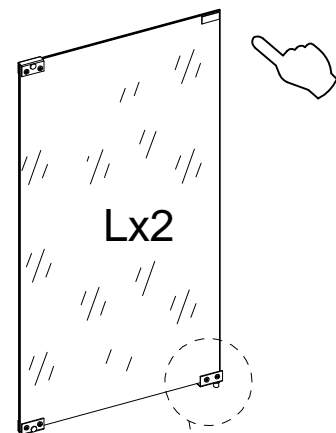
Note: Install N flush with the edge of the glass.



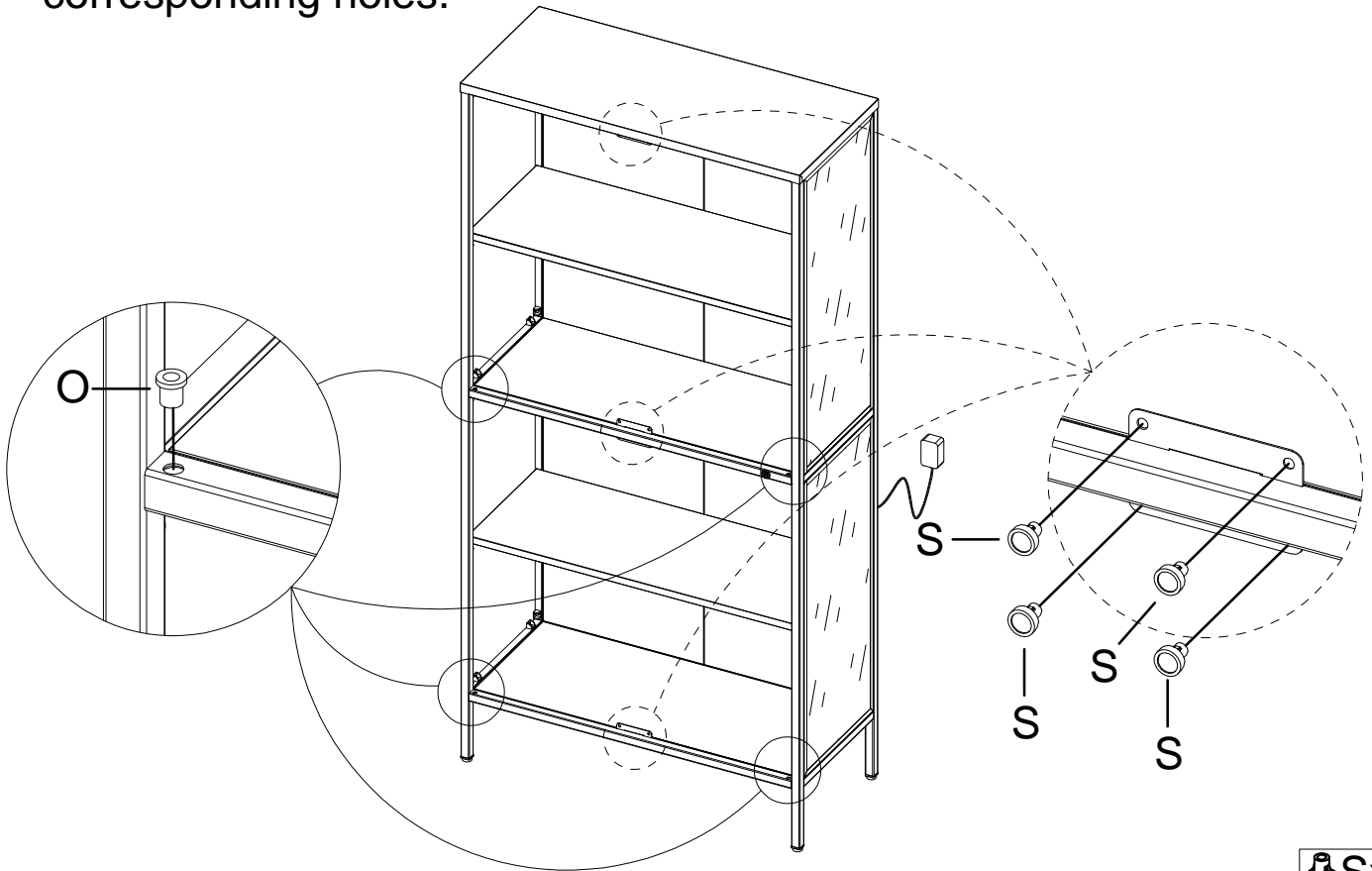
26 Install Part O on the lower right corner of the glass by using the same method, always making sure that the side of Part O with the small pin faces outward.

Note that only plastic gaskets should be installed on the upper right corner at this step and don't install screws at this step.

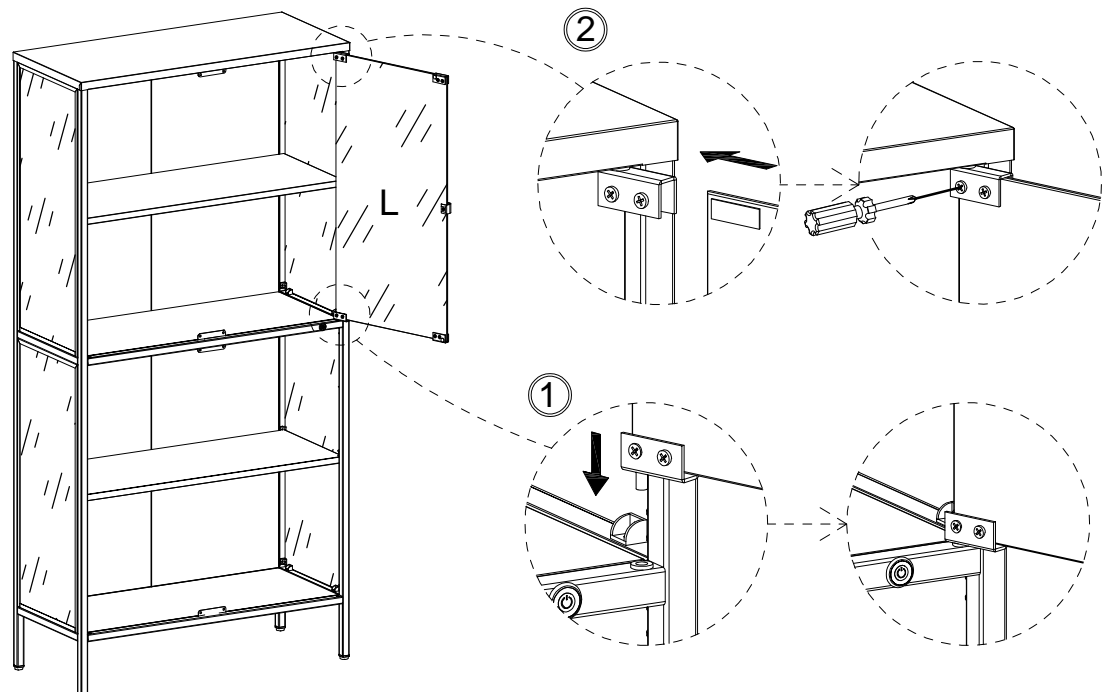
Note: Install O flush with the edge of the glass



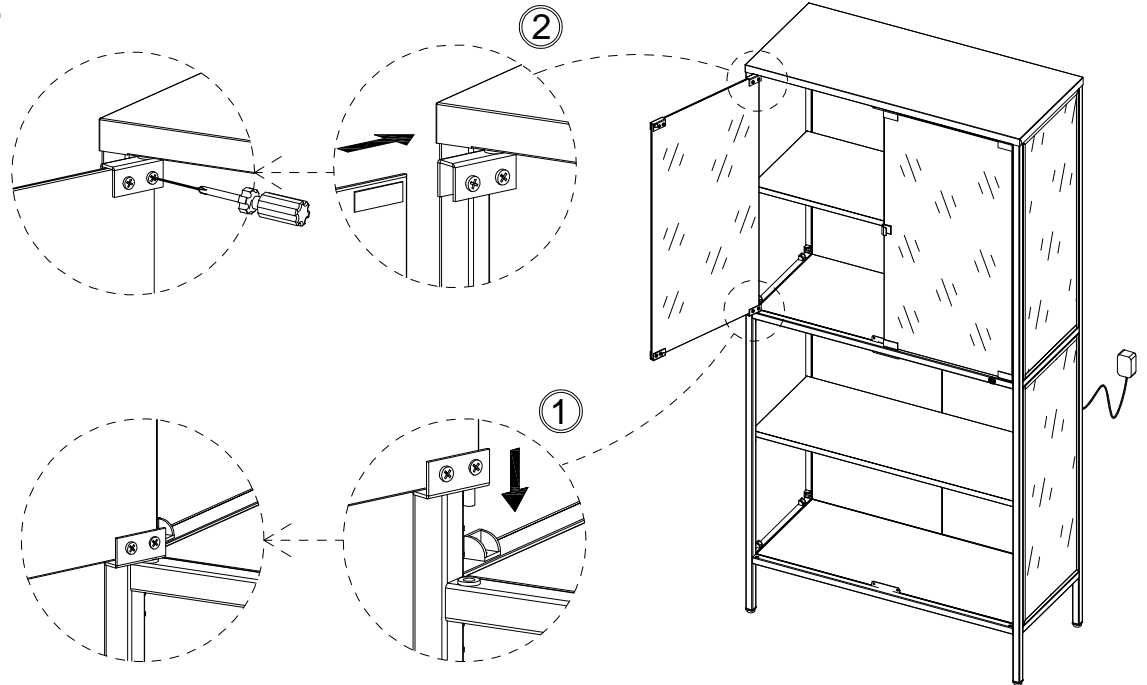
- 27** Install the 8 magnets **S** into the holes in Parts **E**, **K**, and **I**.
Install the 4 cylindrical door shafts that come with Part **O** into the corresponding holes.



- 28** Before installing the right door, first take out a Part **O** and insert it into the door shaft hole at the top of the cabinet. Then insert the door pin at the bottom of the right glass door into the corresponding door shaft hole. Next, slowly insert the corner of the glass door with the plastic gasket into the groove of Part **O** and tighten the screws after alignment.



- 29** Install the left door by using the same method. Before installing the left door, first take out a Part O and insert it into the door shaft hole at the top of the cabinet. Then insert the door pin at the bottom of the left glass door into the corresponding door shaft hole. Next, slowly insert the corner of the glass door with the plastic gasket into the groove of Part O and tighten the screws after alignment.



- 30** Install the bottom doors by using the same method.

