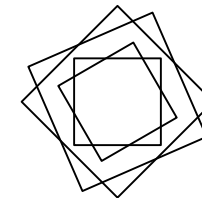
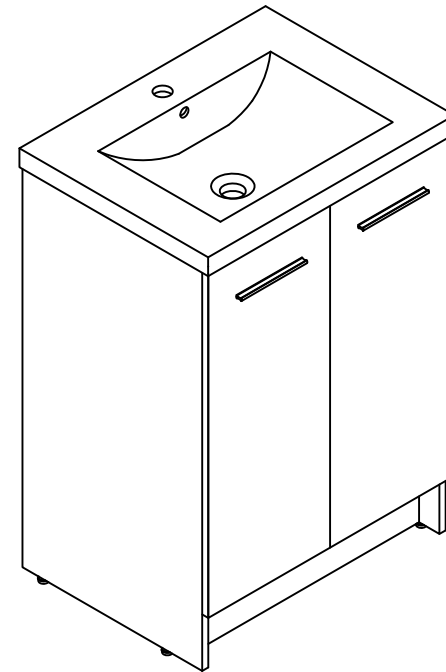


THANKS FOR WATCHING

Your feedback is invaluable to us and we would love to hear about your experience. Please take the time to leave us a review.


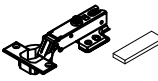
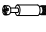







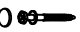






Thank you for shopping with us!

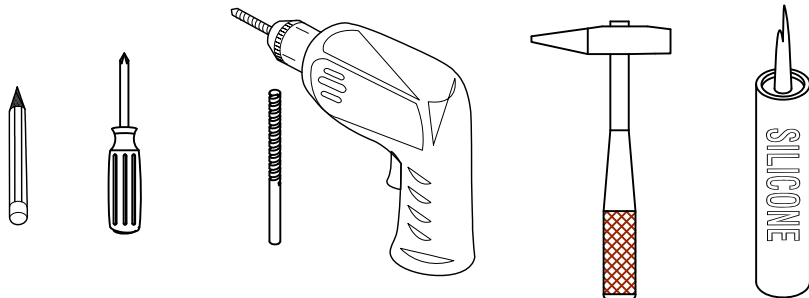
We encourage you to take a few minutes to go through this booklet. It contains important information on installation and care tips to keep your furniture looking as good as new.

Item NO.:UNOR V 006F 24

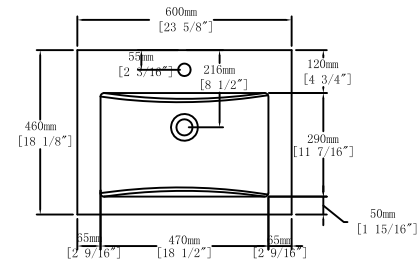
Hardware

NO.	Draw	QTY	NO.	Draw	QTY
A	 Screws Ø4x14mm	44	I	 Hinges (Full cover)	4
B	 Two-in-one connector	24	J	 Handle(L = 160mm)	2
C	 Two-in-one connector	24	K	 Screws M4x18mm	4
D	 Wood plug	4	L	 Adjustable feet	4
E	 Plastic anchor(Ø10mm)	2	M	 Movable laminate support	4
F	 Screws for fix on the wall	2	N	 Anti-collision gasket	4
G	 Bracket (53x70x44mm)	2	O	 Screwdriver	1
H	 Bracket (19x19x35mm)	2			

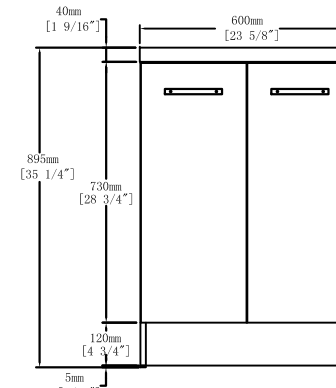
Recommended tools



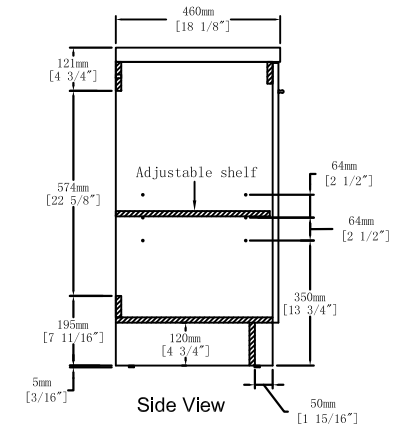
Dimensions



Top View



Front View



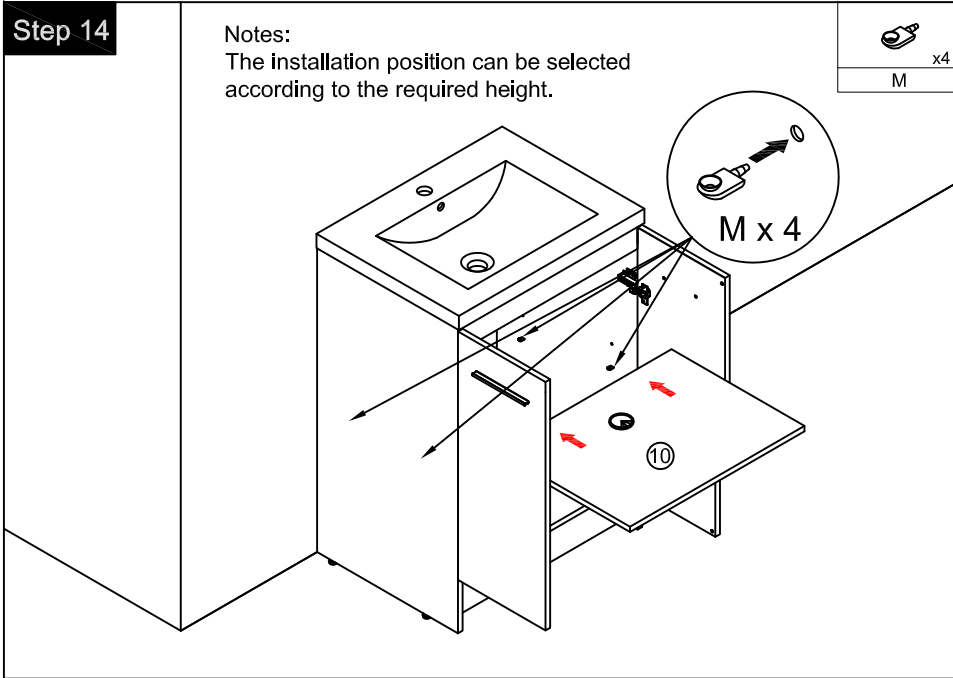
Side View

CARE CLEANING AND MAINTENANCE

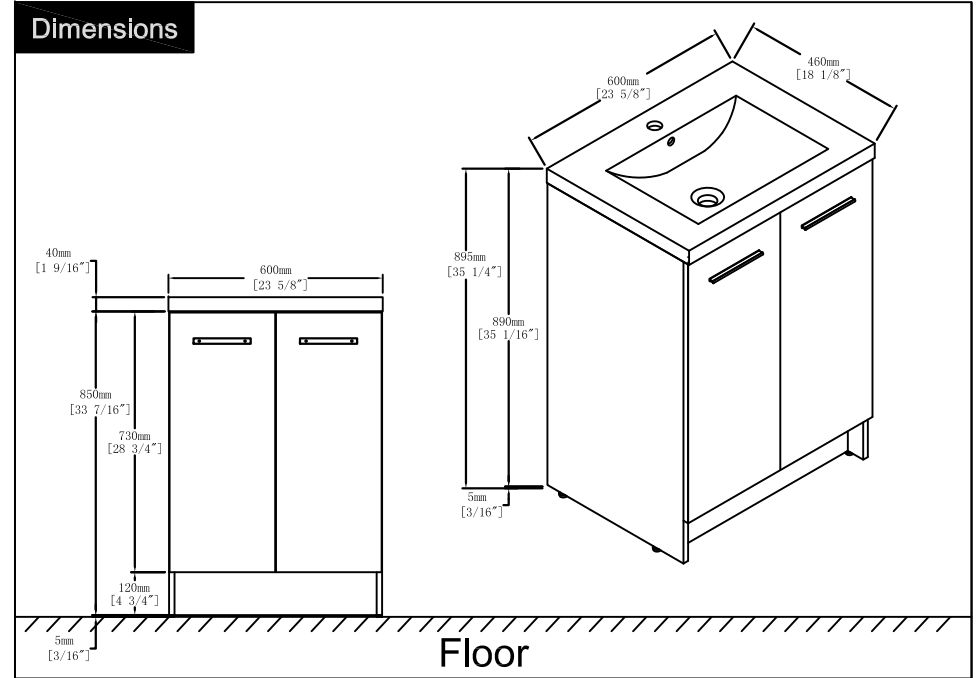
1. Dust regularly with a soft , dry cloth.
2. Avoid the use of all chemicals household cleaners, abrasives, or cleaners that contain lemon, vinegar, or other acids that may damage the finish.
3. Excessive exposure to sunlight and extreme changes in temperature and moisture can damage wood furniture.
4. The sink is fragile, please pay attention to maintaining its appearance.
5. Do not place hot appliances, such as curling irons and hot hair dryers directly on the countertop. Wipe spills immediately.

Step 14

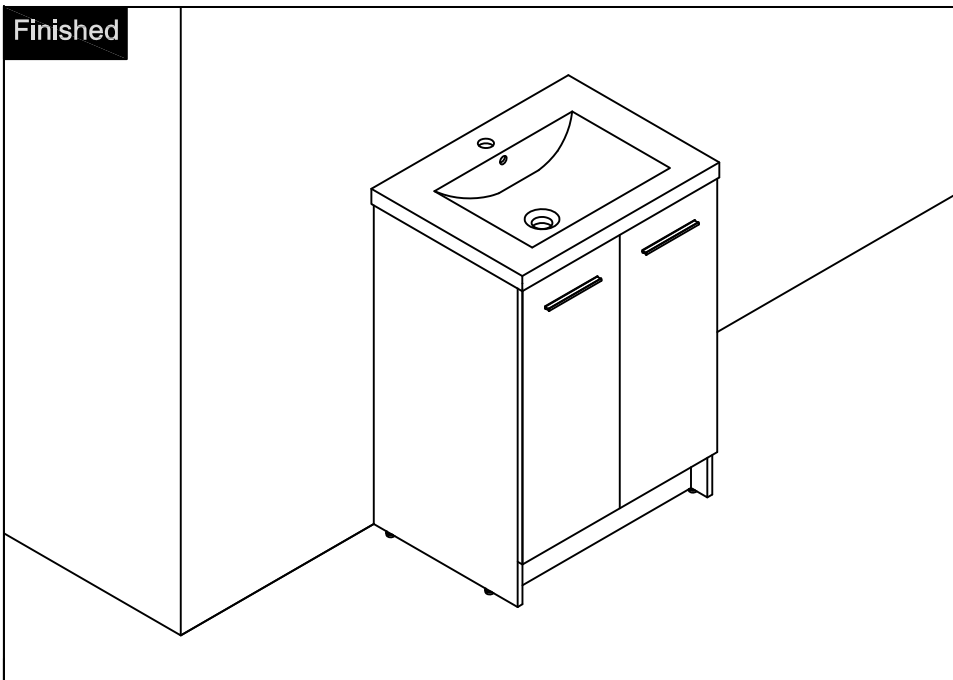
Notes:
The installation position can be selected according to the required height.



Dimensions



Finished



Components

