

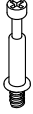

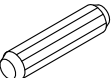
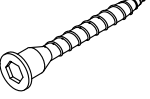
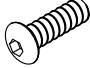
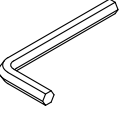
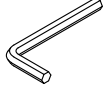

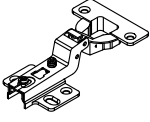


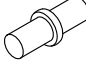
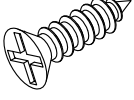
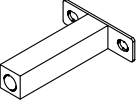

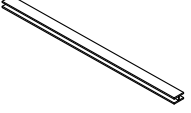
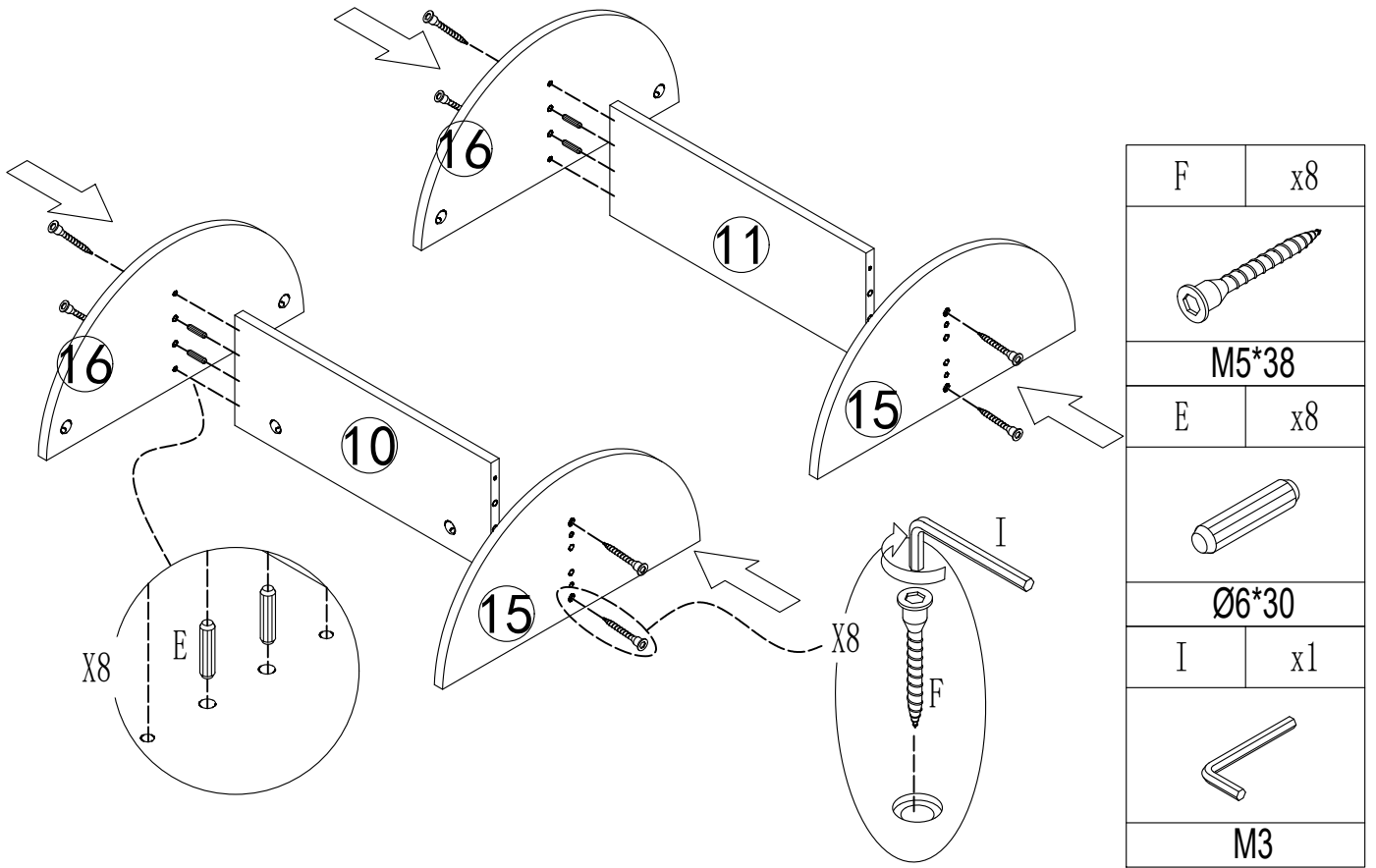
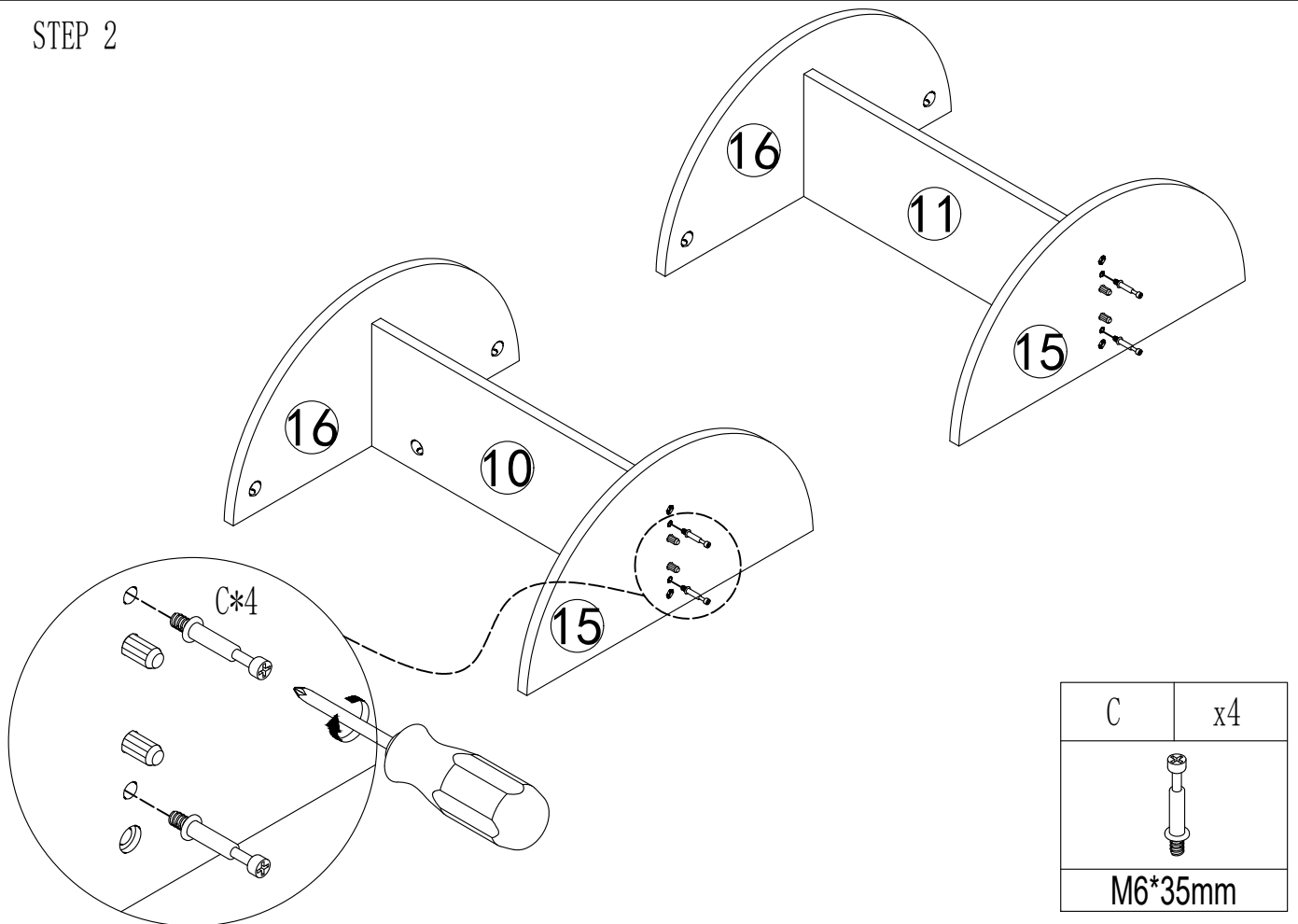


A	x2	B	x8	C	x36	D	x36	E	x58
									
M6*20mm		Ø40*4		M6*35mm		Ø15*9.5		Ø6*30	
F	x34	G	x2	H	x1	I	x1	J	x4
									
M5*38		M6*12		M4		M3		Ø35mm	
K	x4	L	x36	M	x16	N	x8	O	x64
									
Ø35mm		Ø20mm				Ø5*13.5		M3.5*14	
P	x1	Q	x1	R	x2				
									

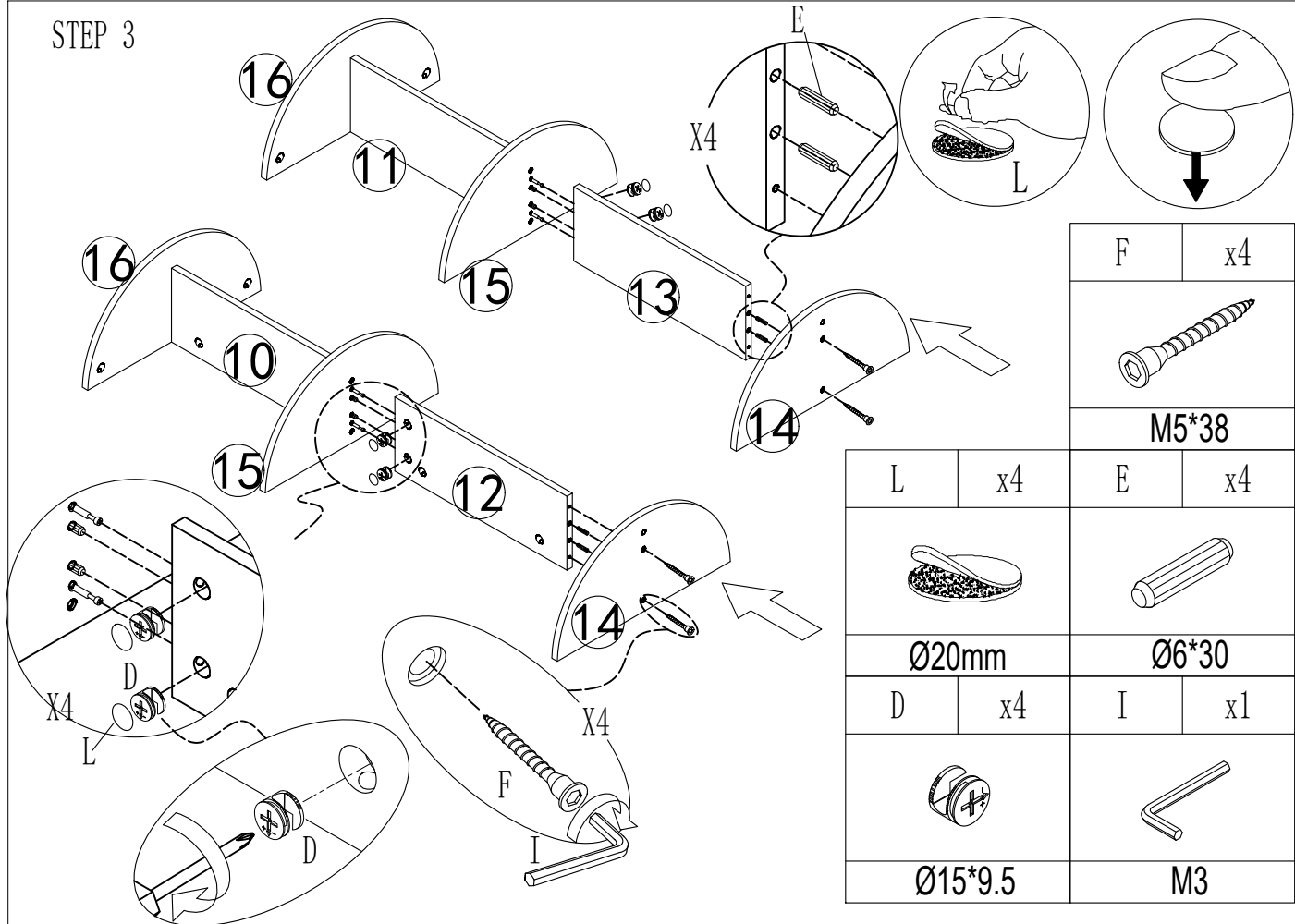
STEP 1

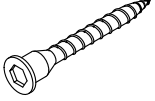
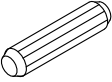





STEP 2

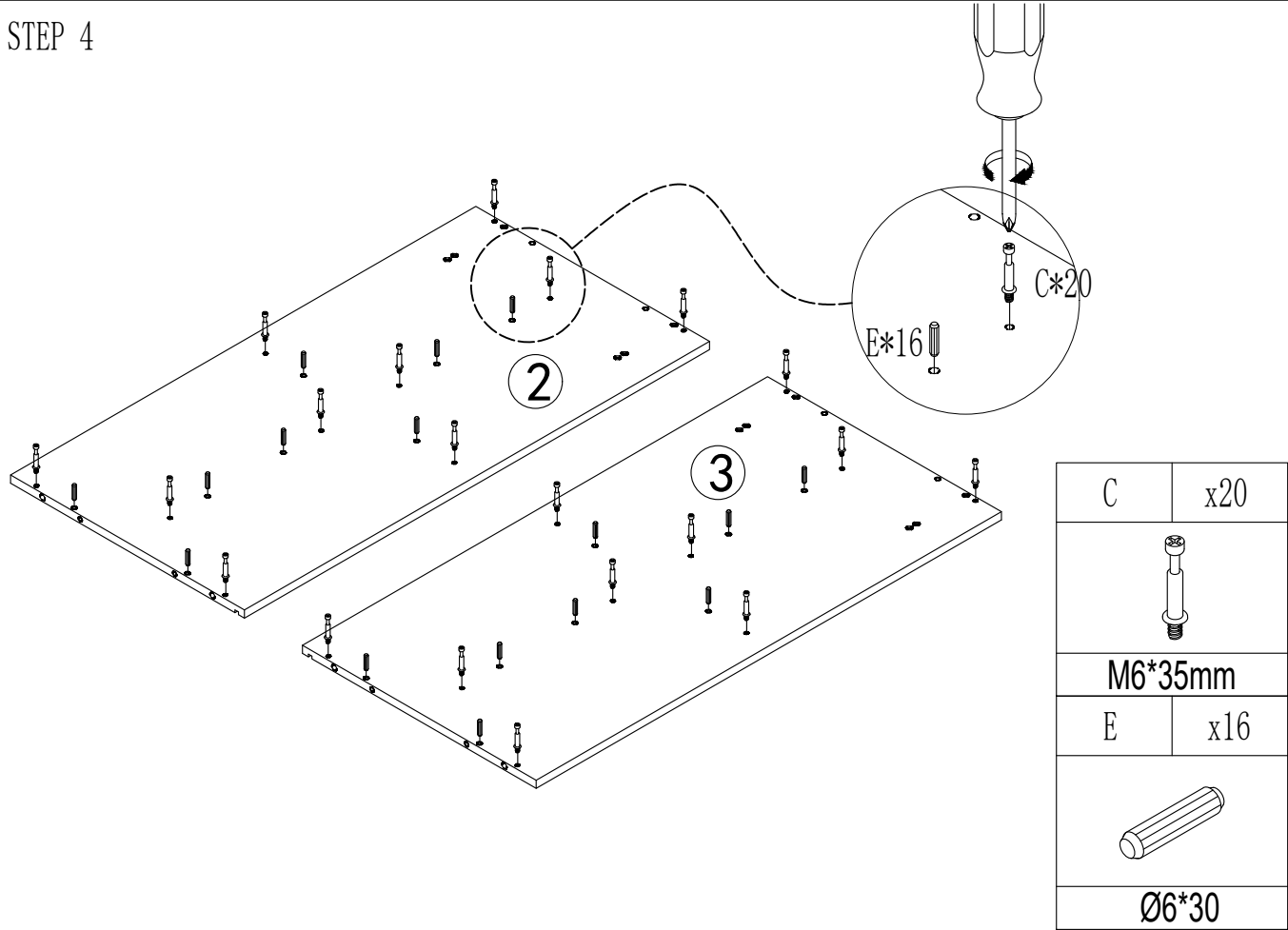



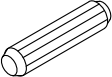
STEP 3



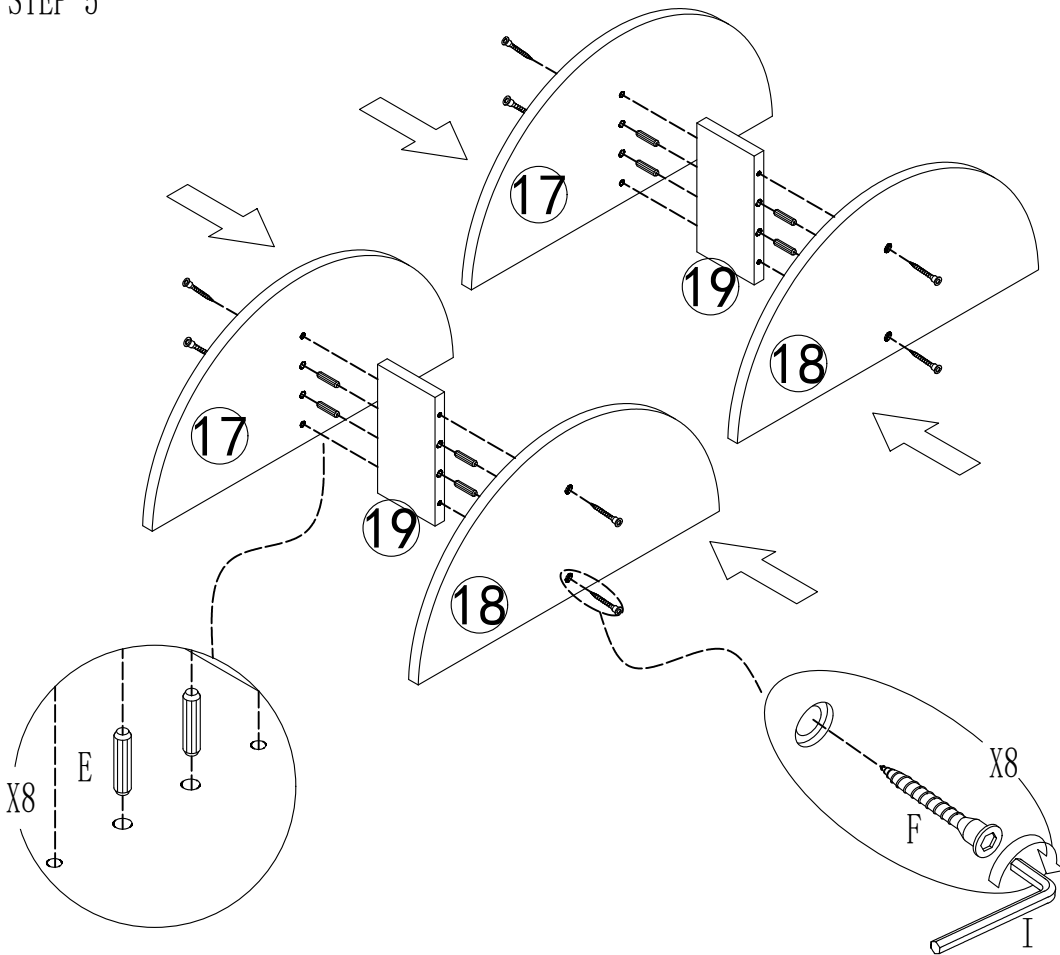
F	x4	E	x4
			
M5*38		Ø6*30	
L	x4	I	x1
			
Ø20mm		M3	
D	x4		
			
Ø15*9.5			

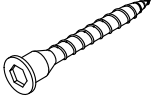
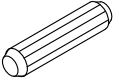
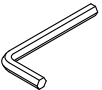
STEP 4



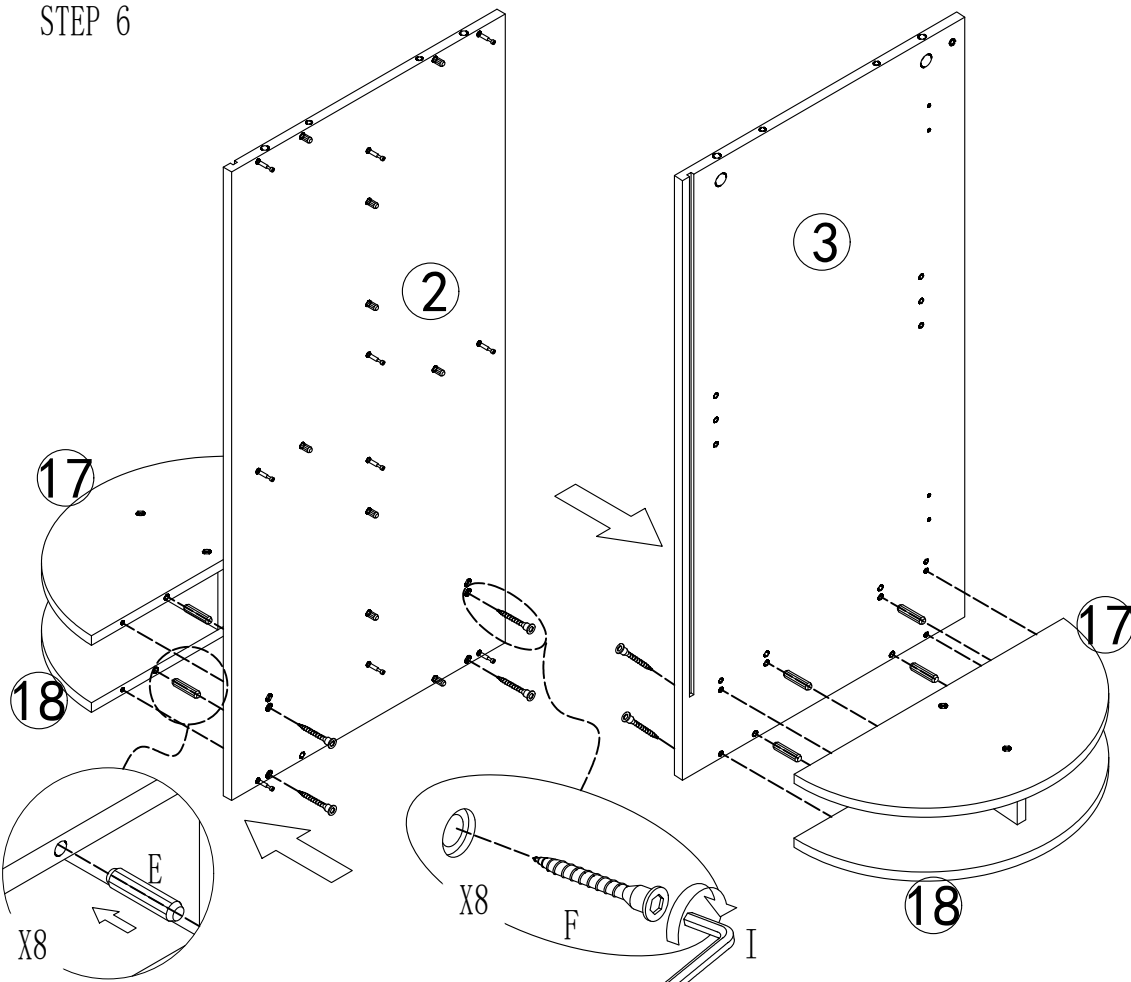
C	x20	E	x16
			
M6*35mm		Ø6*30	

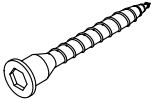
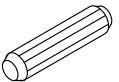
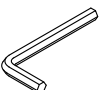
STEP 5



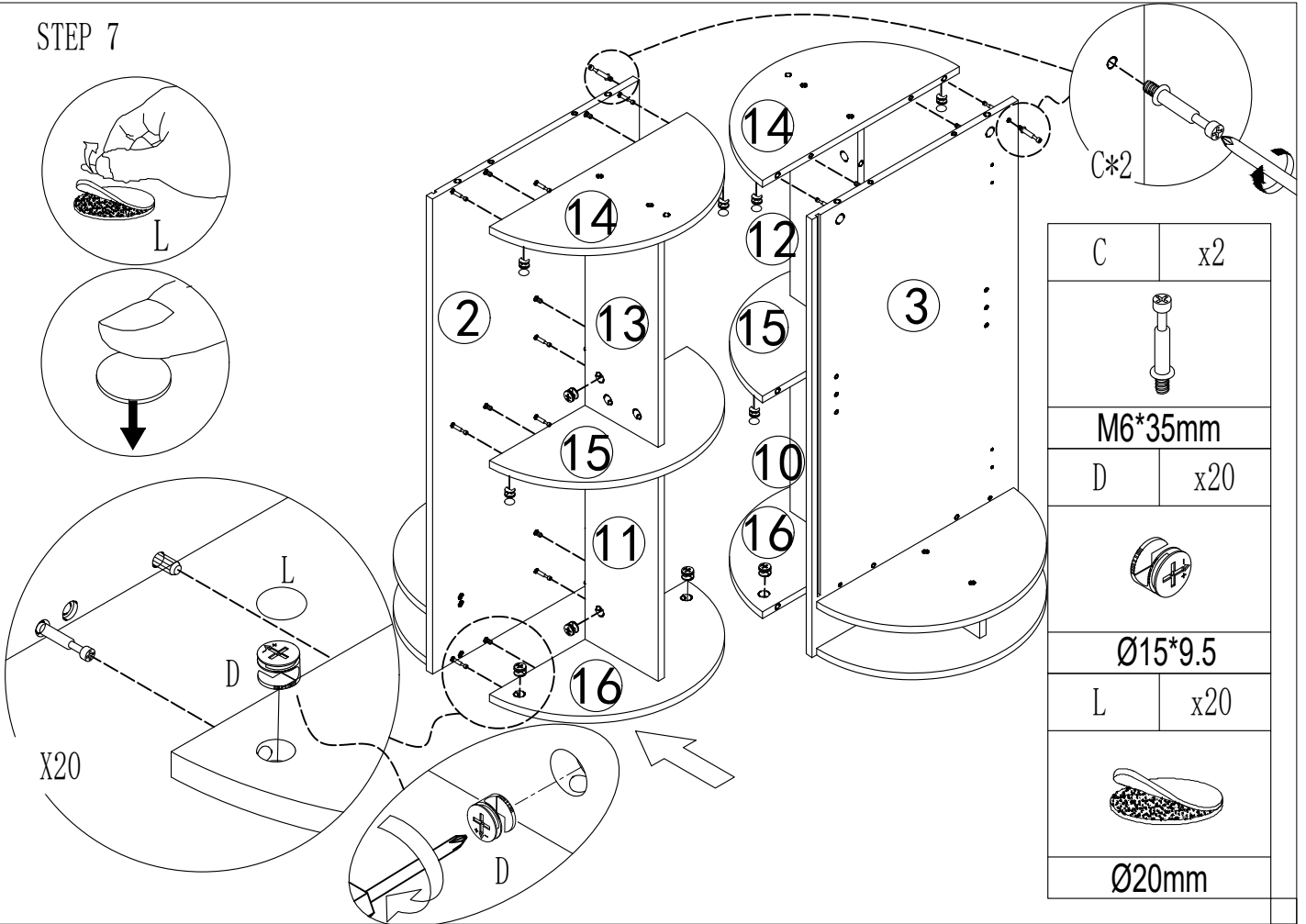
F	x8
	
M5*38	
E	x8
	
Ø6*30	
I	x1
	
M3	




STEP 6



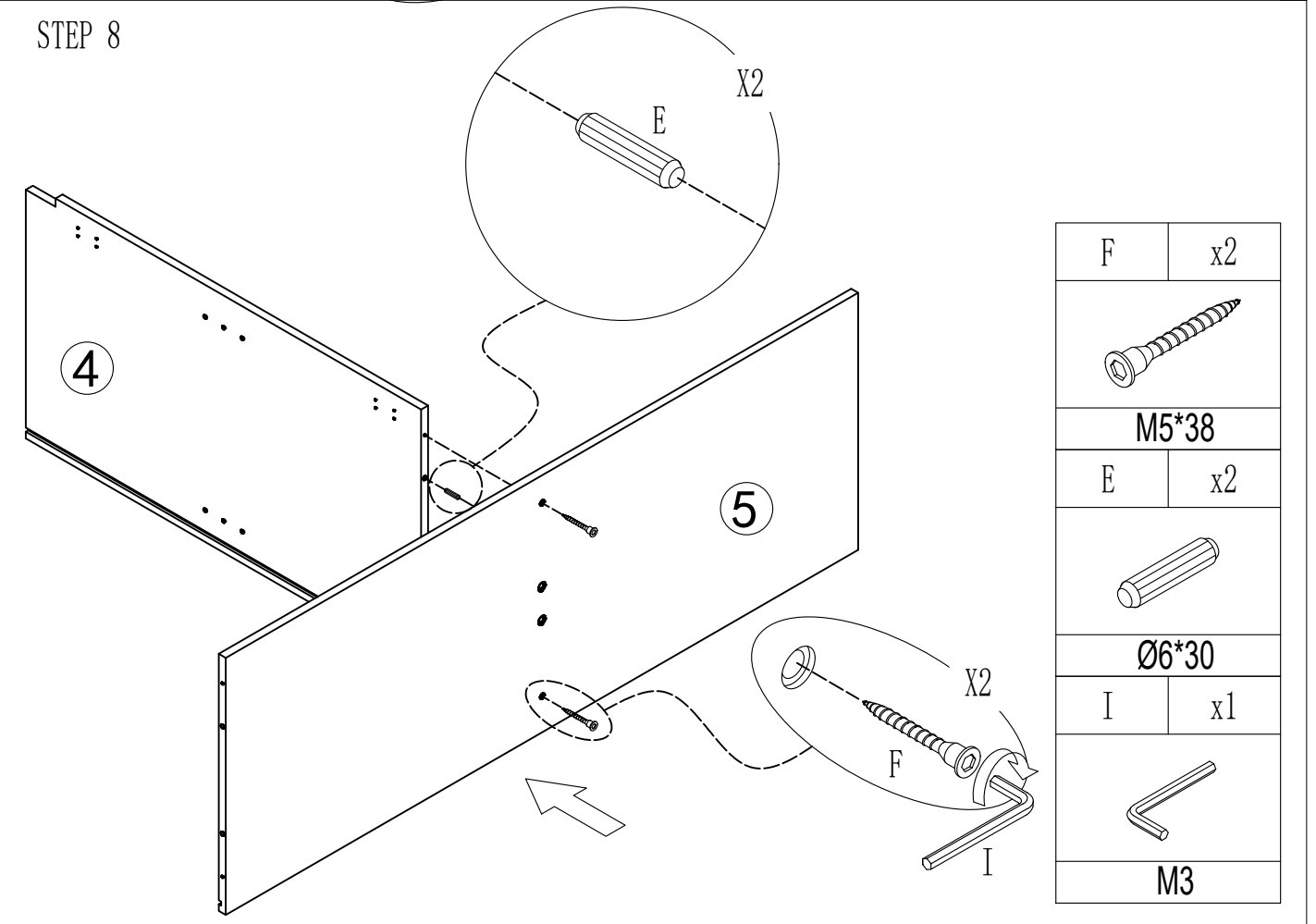
F	x8
	
M5*38	
E	x8
	
Ø6*30	
I	x1
	
M3	

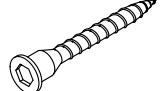
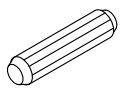
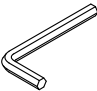
STEP 7



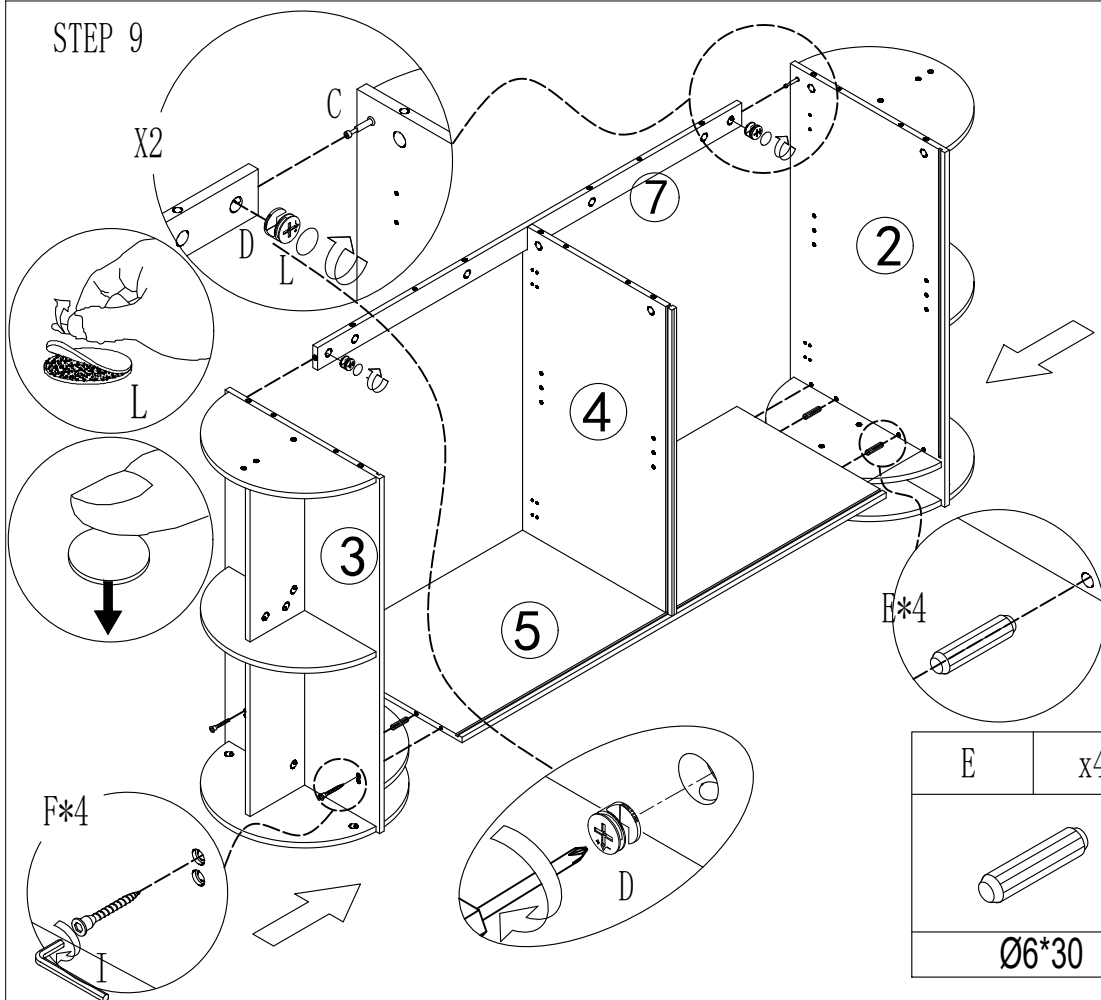
C	x2
	
M6*35mm	
D	x20
	
Ø15*9.5	
L	x20
	
Ø20mm	

STEP 8



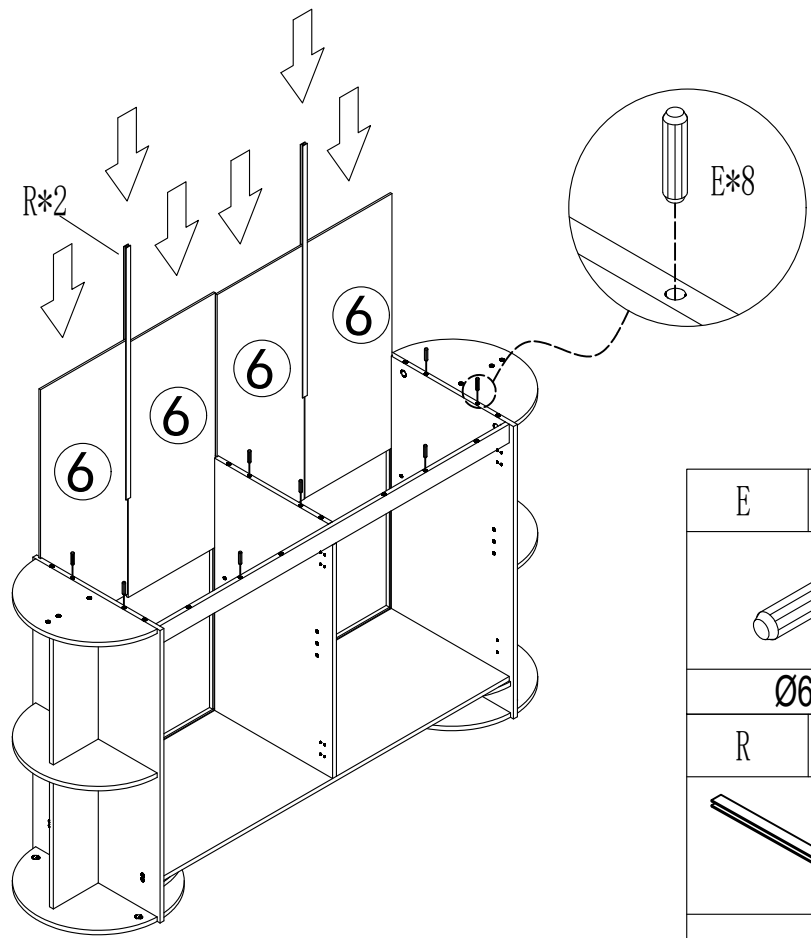
F	x2
	
M5*38	
E	x2
	
Ø6*30	
I	x1
	
M3	

STEP 9



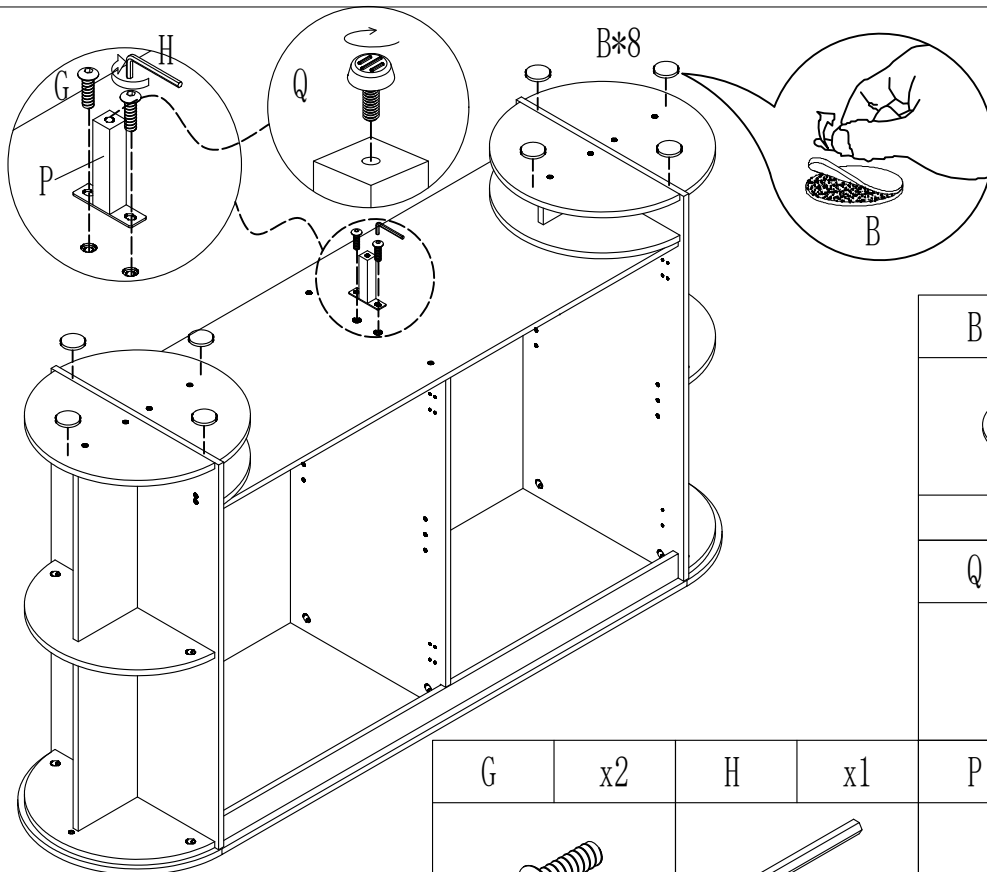
I	x1
M3	
D	x2
Ø15*9.5	
L	x2
Ø20mm	
E	x4
F	x4
Ø6*30	
M5*38	



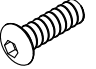
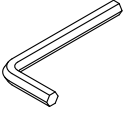
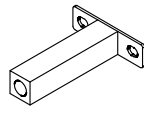
STEP 10



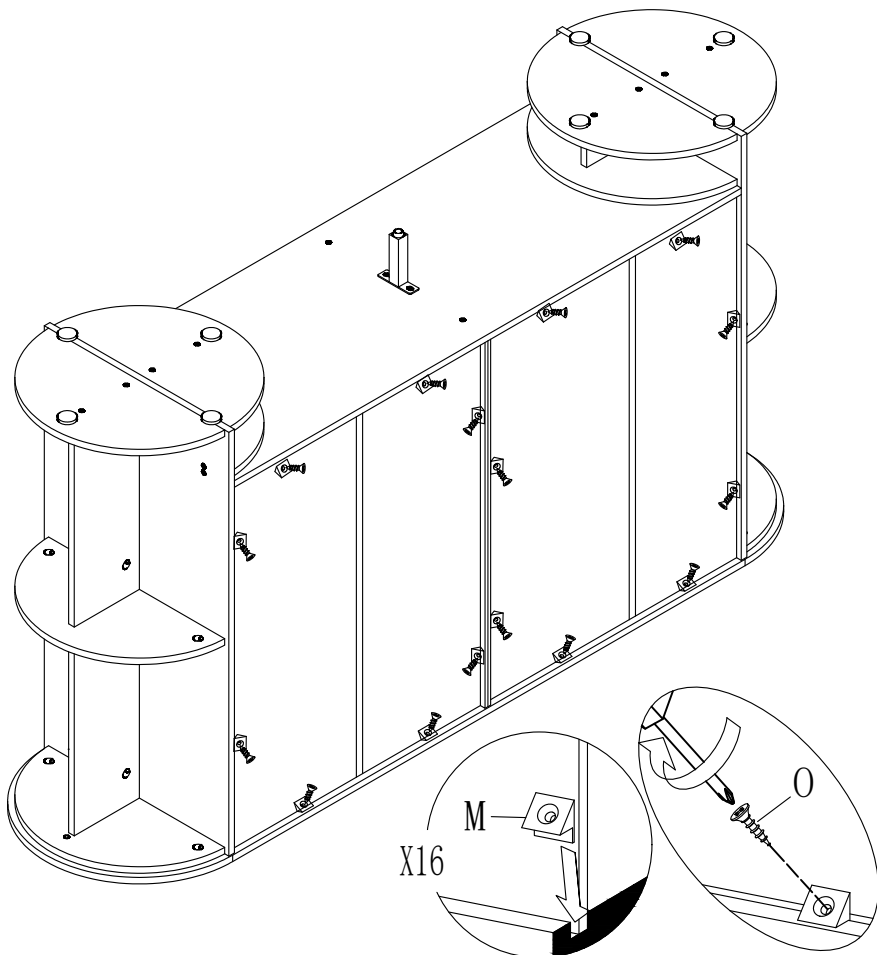
E	x8
Ø6*30	
R	x2


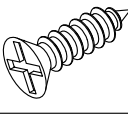
STEP 13



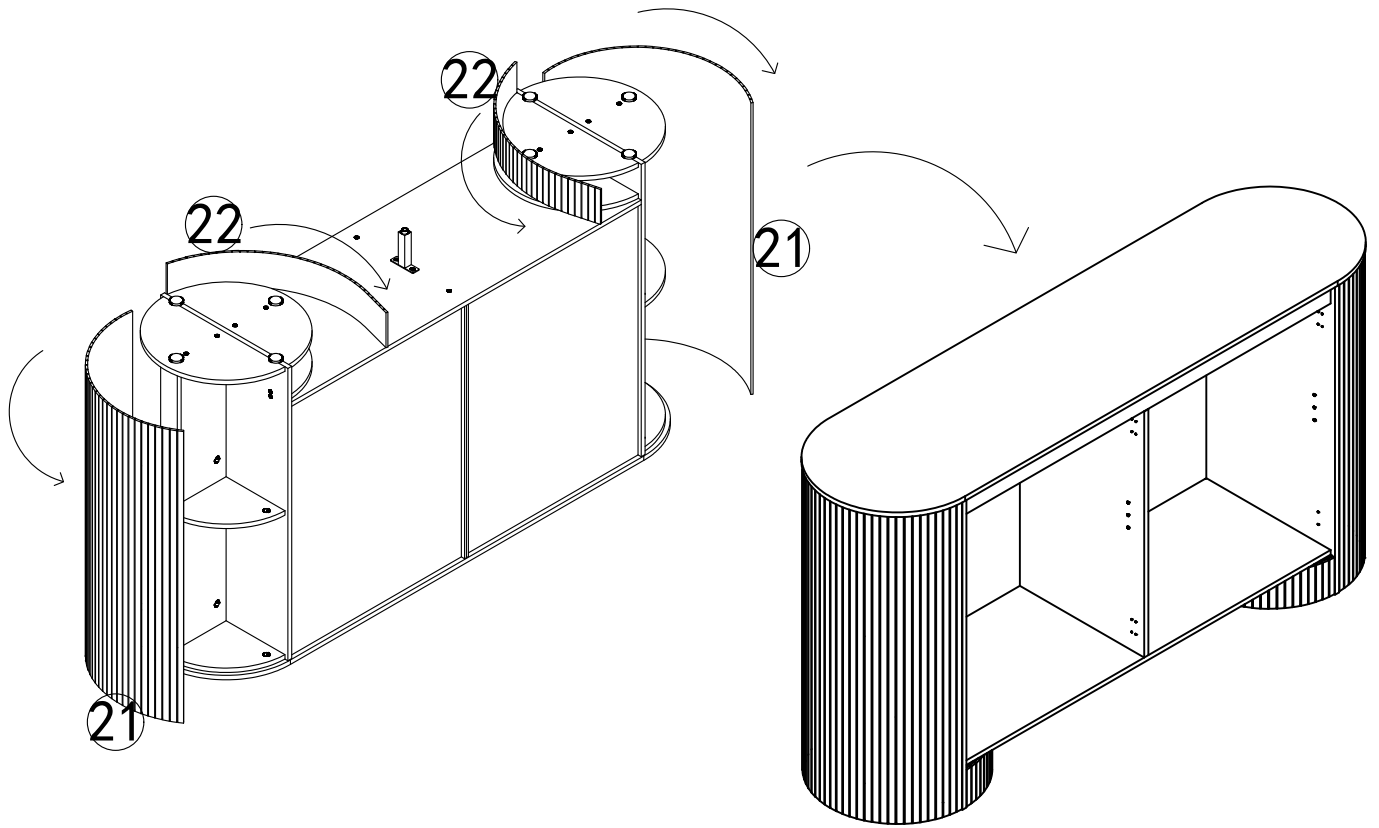
B	x8				
					
$\text{Ø}40 \times 4$					
Q	x1				
					
G	x2	H	x1	P	x1
					
M6*12		M4			

STEP 14

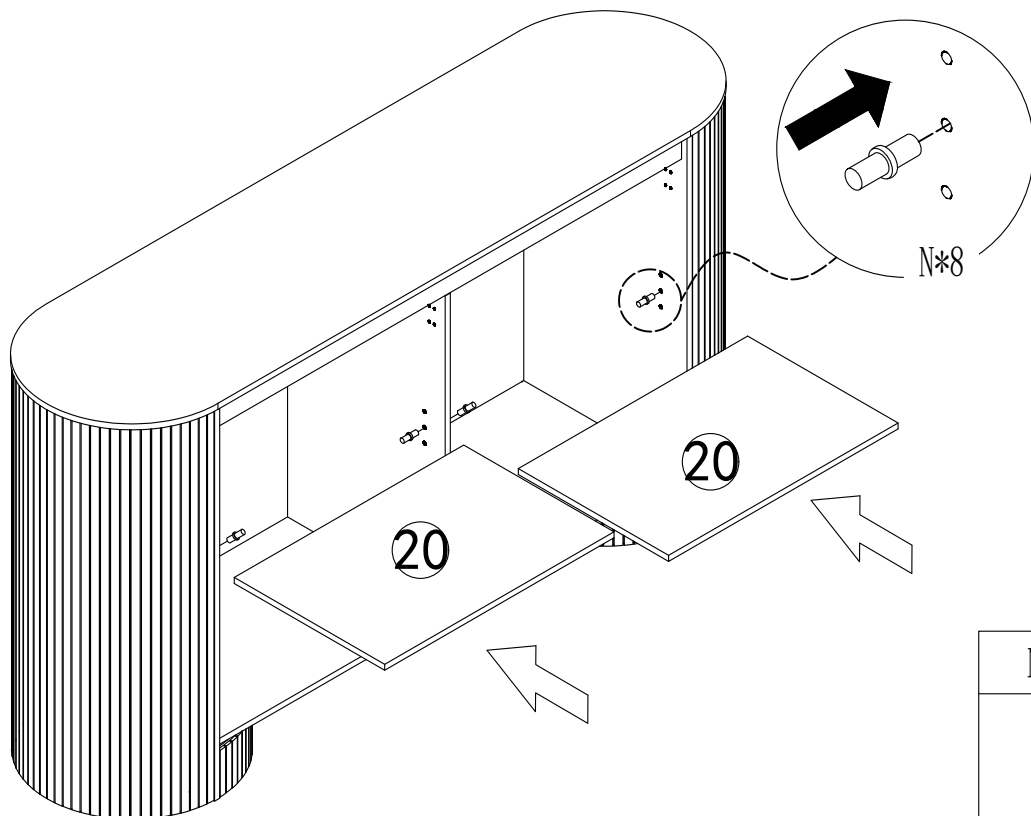


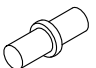
M	x16		
			
O	x16		
			
M3.5*14			

STEP 15

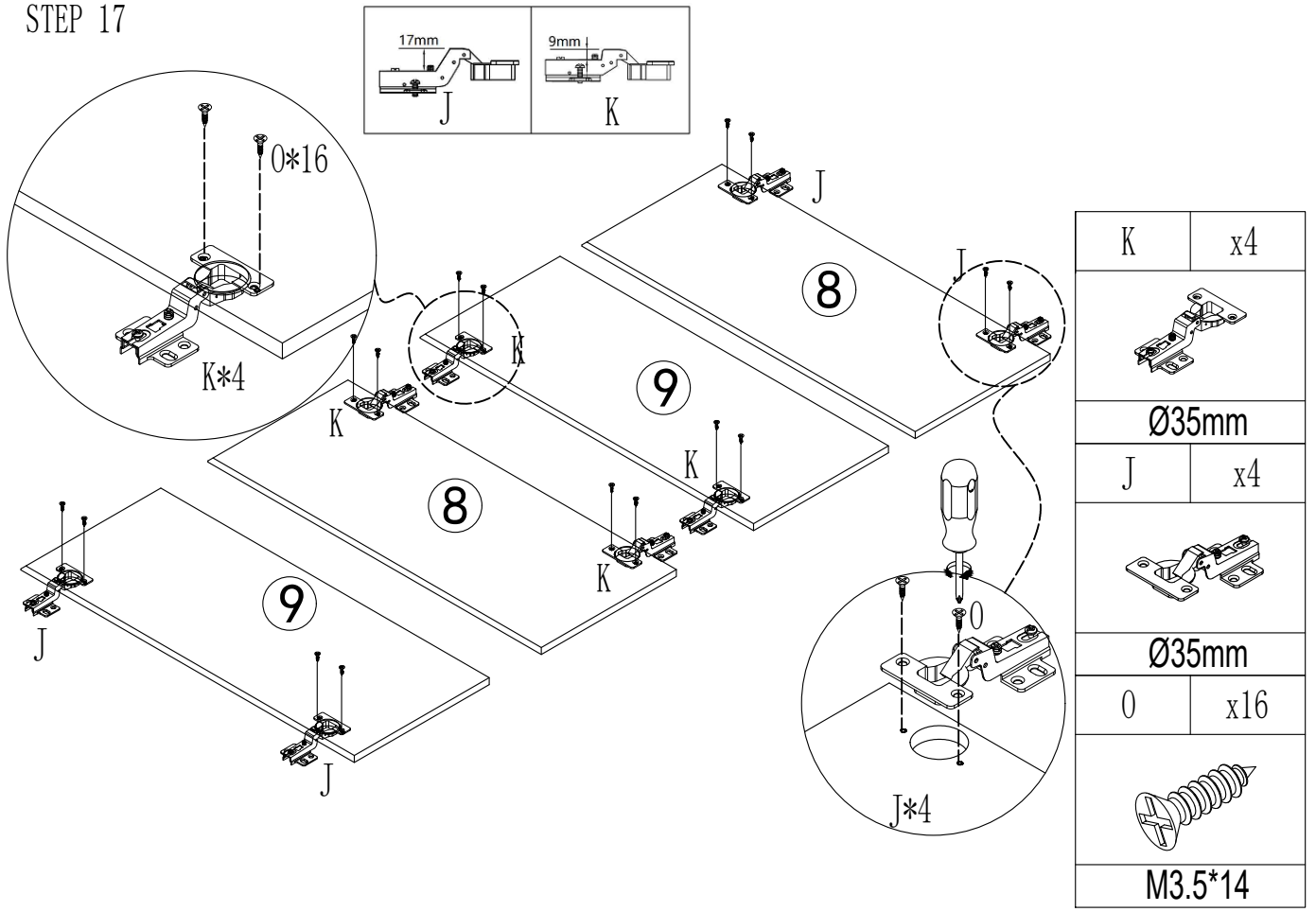


STEP 16

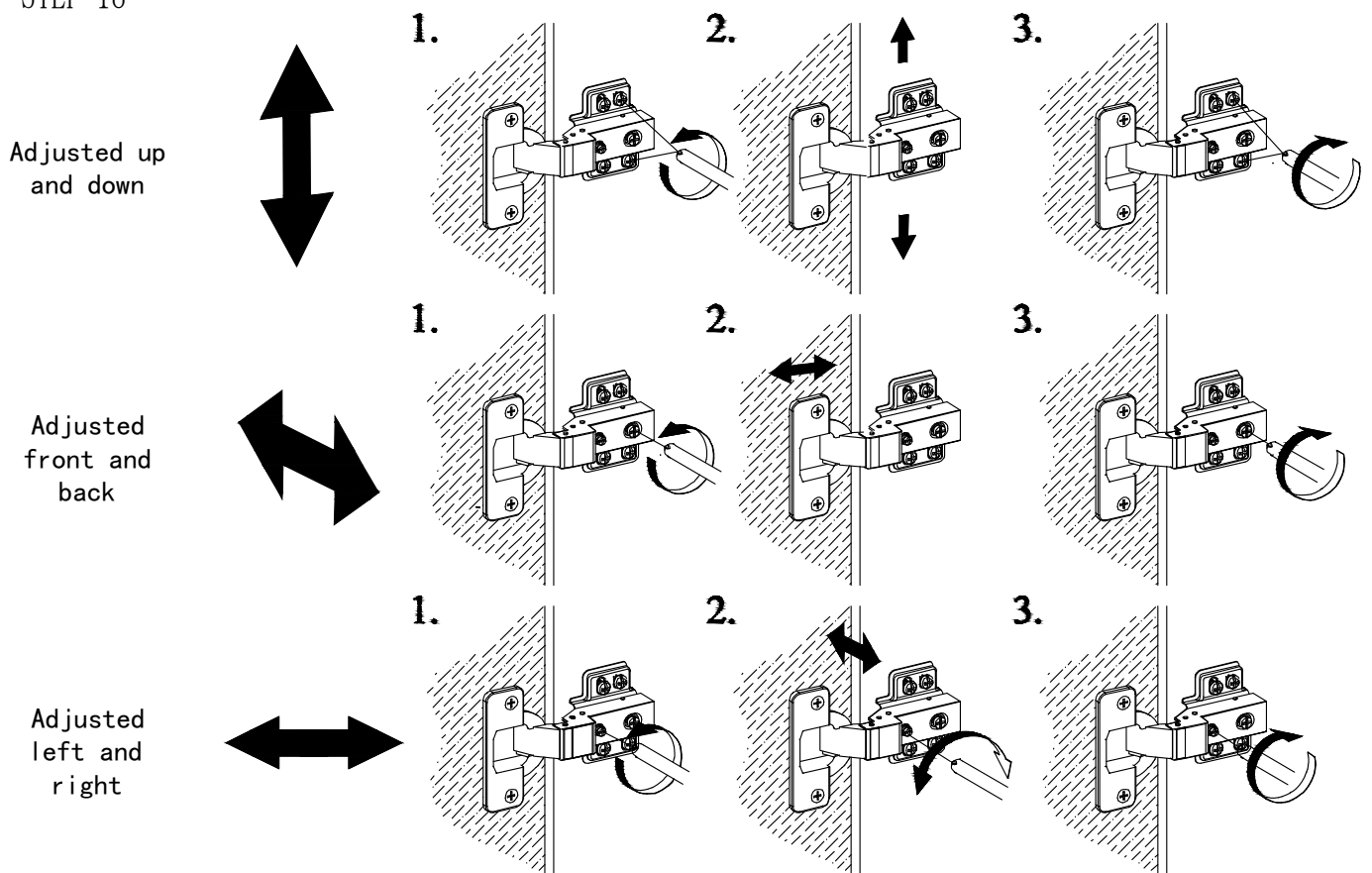


N	x8
	
Ø5*13.5	

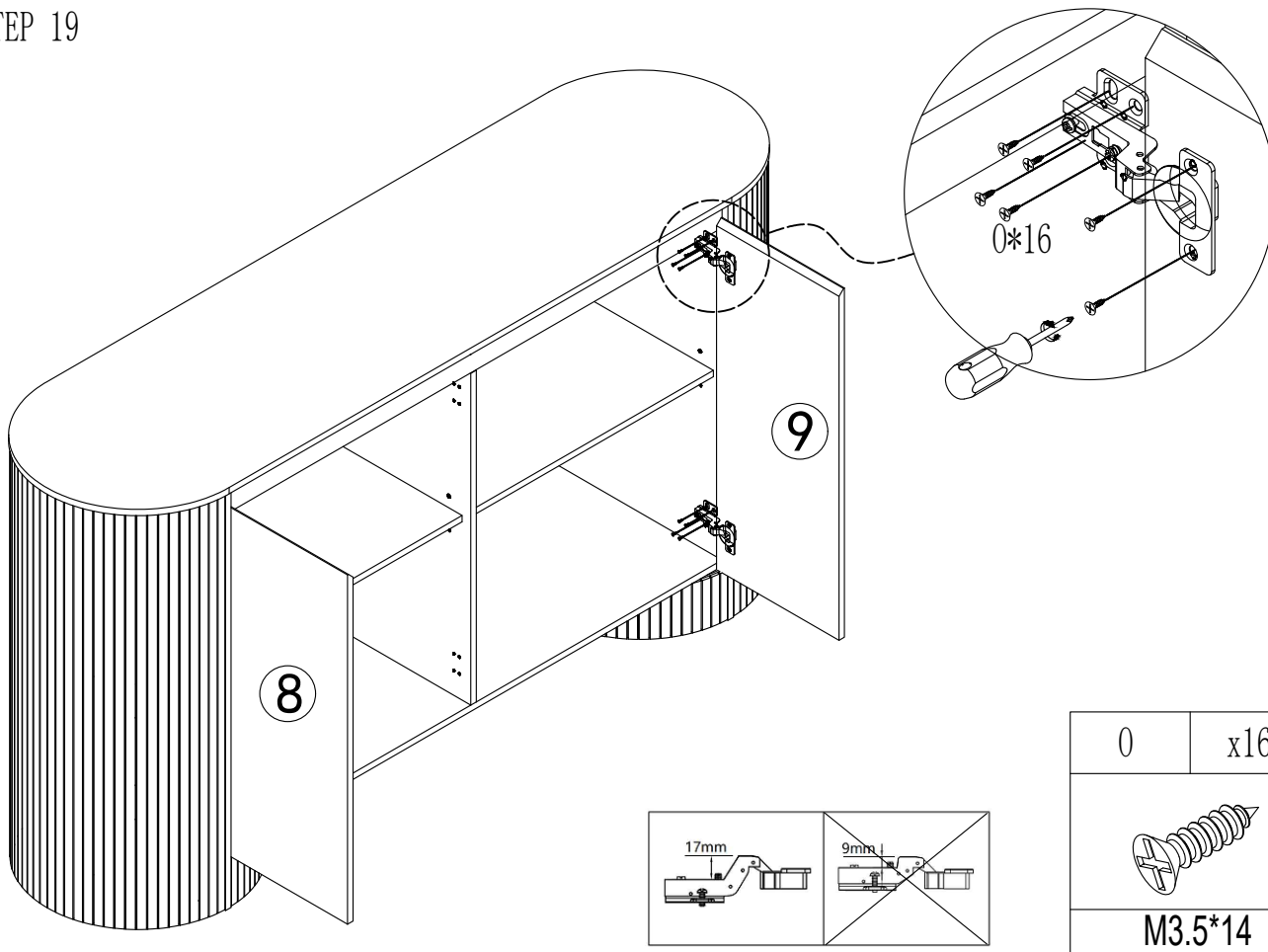
STEP 17



STEP 18



STEP 19



STEP 20

