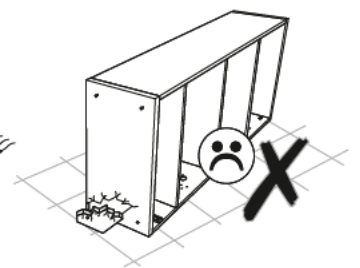
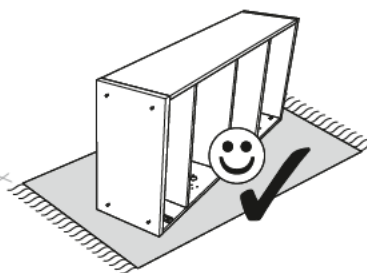
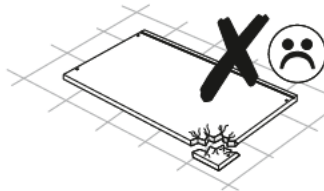
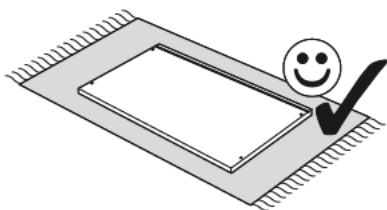
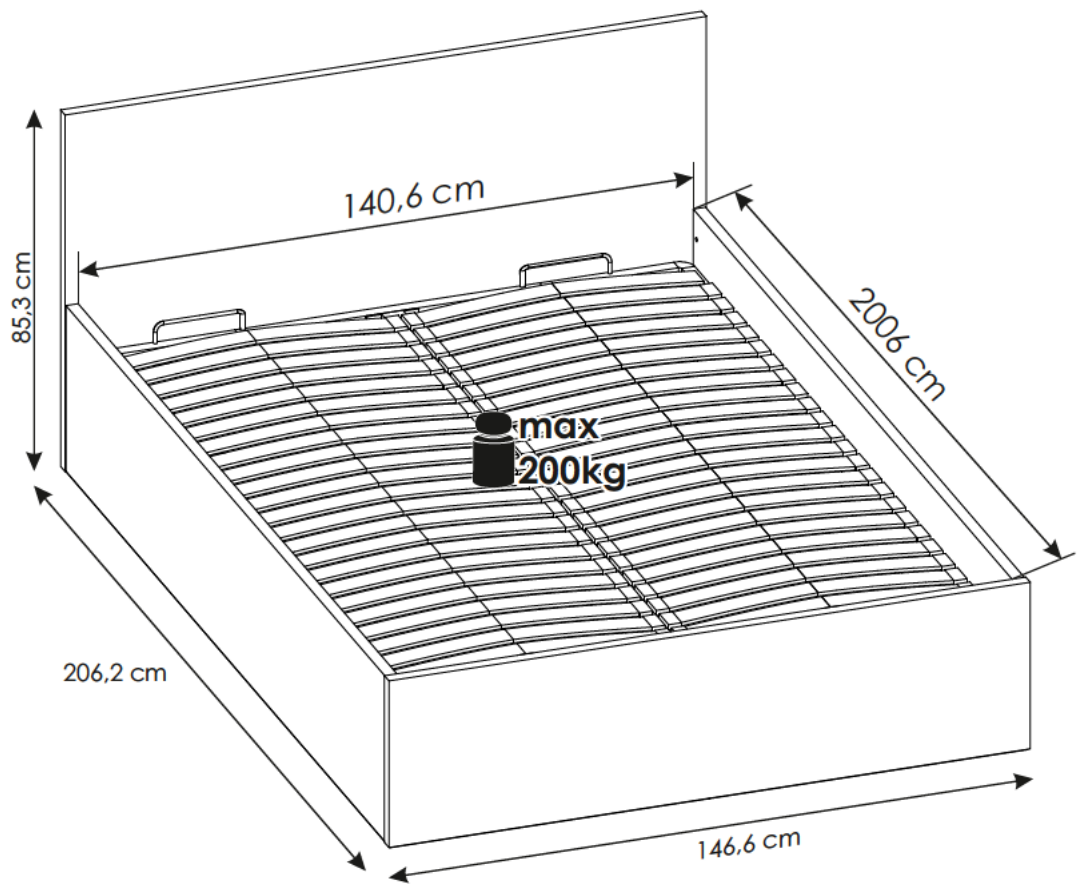
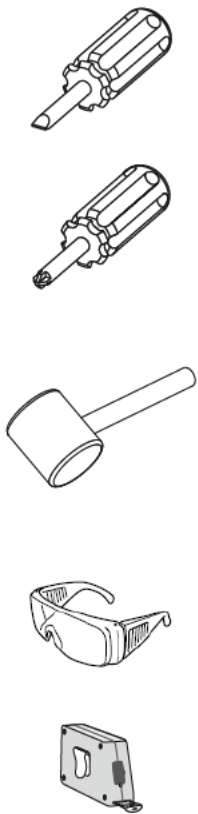
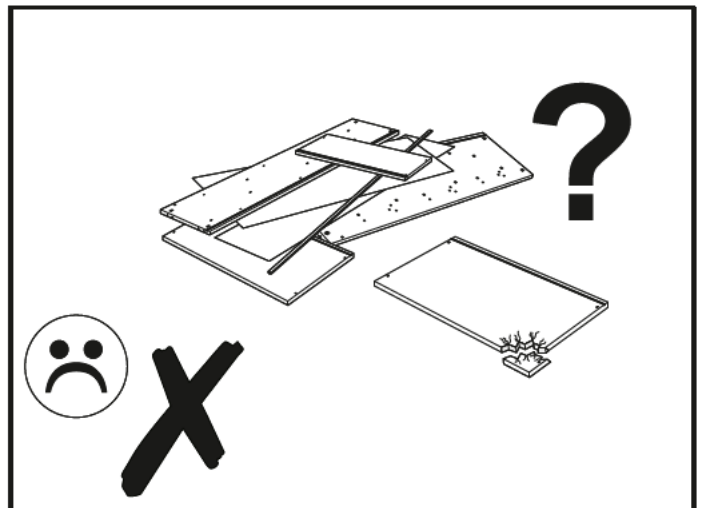
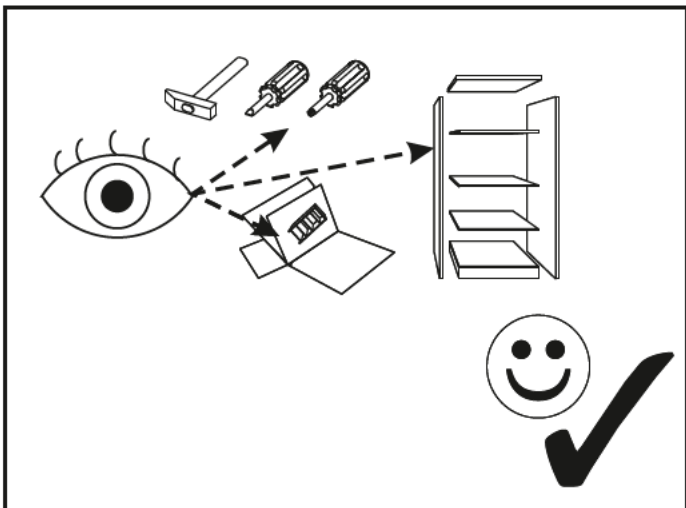
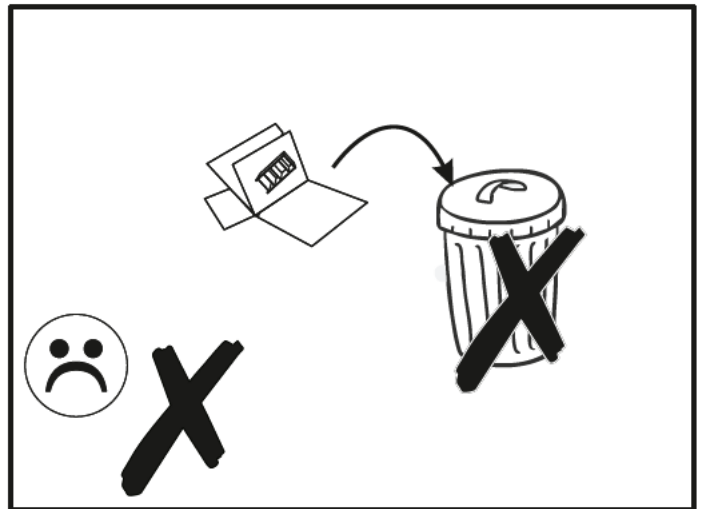
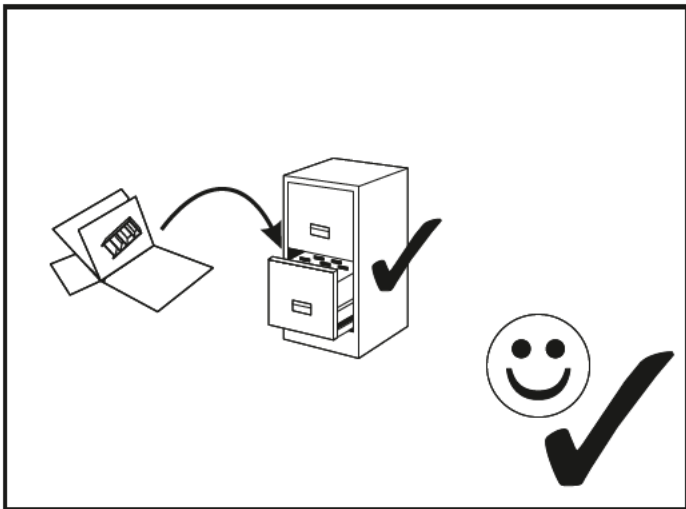
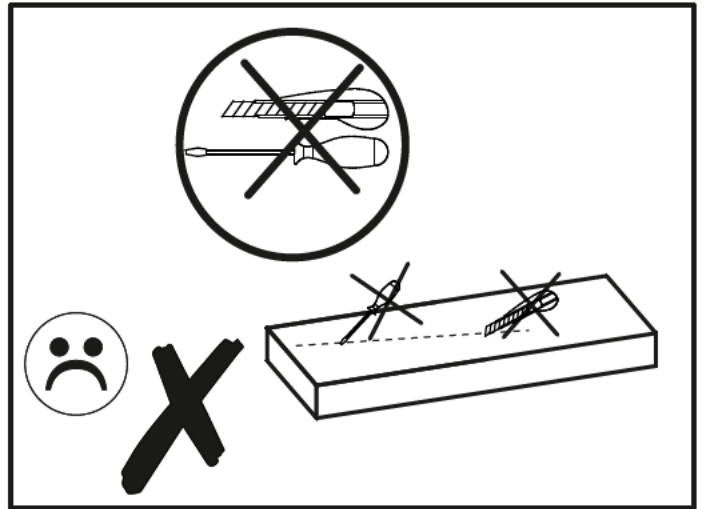
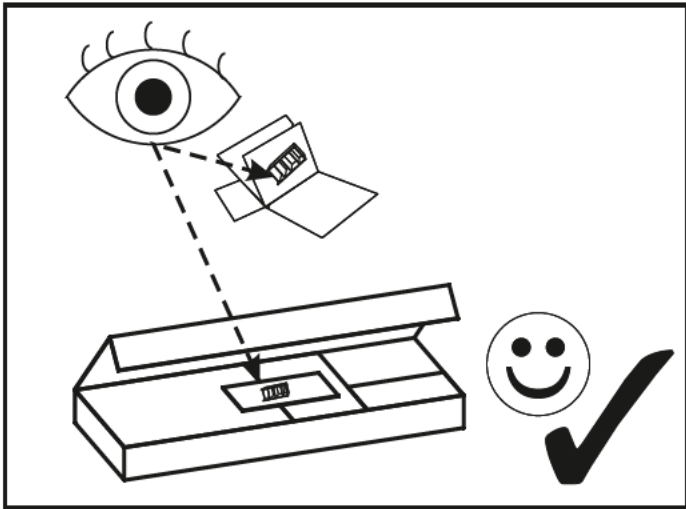




140 MIN





MM

260

250

240

230

220

210

200

190

180

170

160

150

140

130

120

110

100

90

80

70

60

50




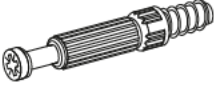



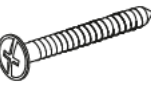

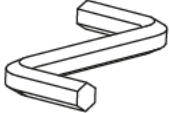
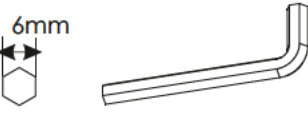
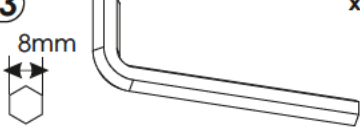



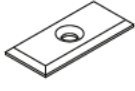


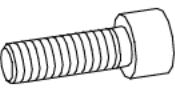


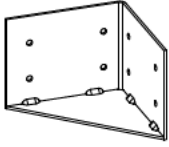
40

30

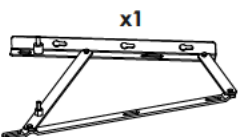
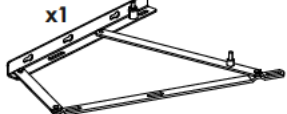
20


10

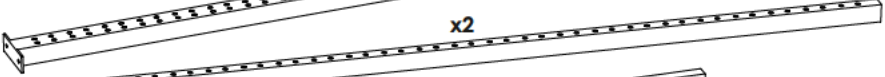
0

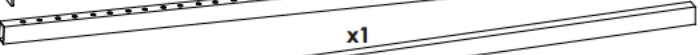
A1 8 x 35 mm x34 	C2 5 x 13 mm x16 	E1 15 x 12 mm x16 
F1 6 x 34 mm x16 	G0 	G2 7 x 60 mm x8 
I0 3 x 13 mm x10 	I17 4 x 50 mm x20 	K9 M6 x 60mm x2 
M 	M2 6mm x1 	M3 8mm x1 
N1 3 X 16 mm x65 	O2 	O2A ø20 x9 
R1 	S1 	S17 
SL1 M8 x 25 mm x6 	SL2 	SL3 
W 		

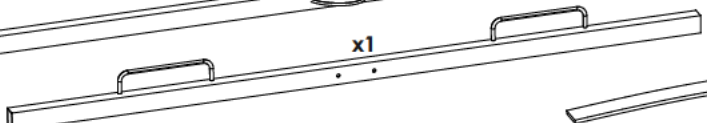
SL

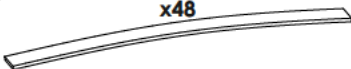
x1  x1 



x1 

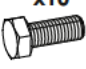
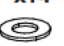
x2 



x1 

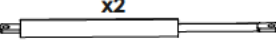
x1 

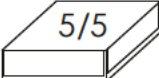
x48 

x4  x8 

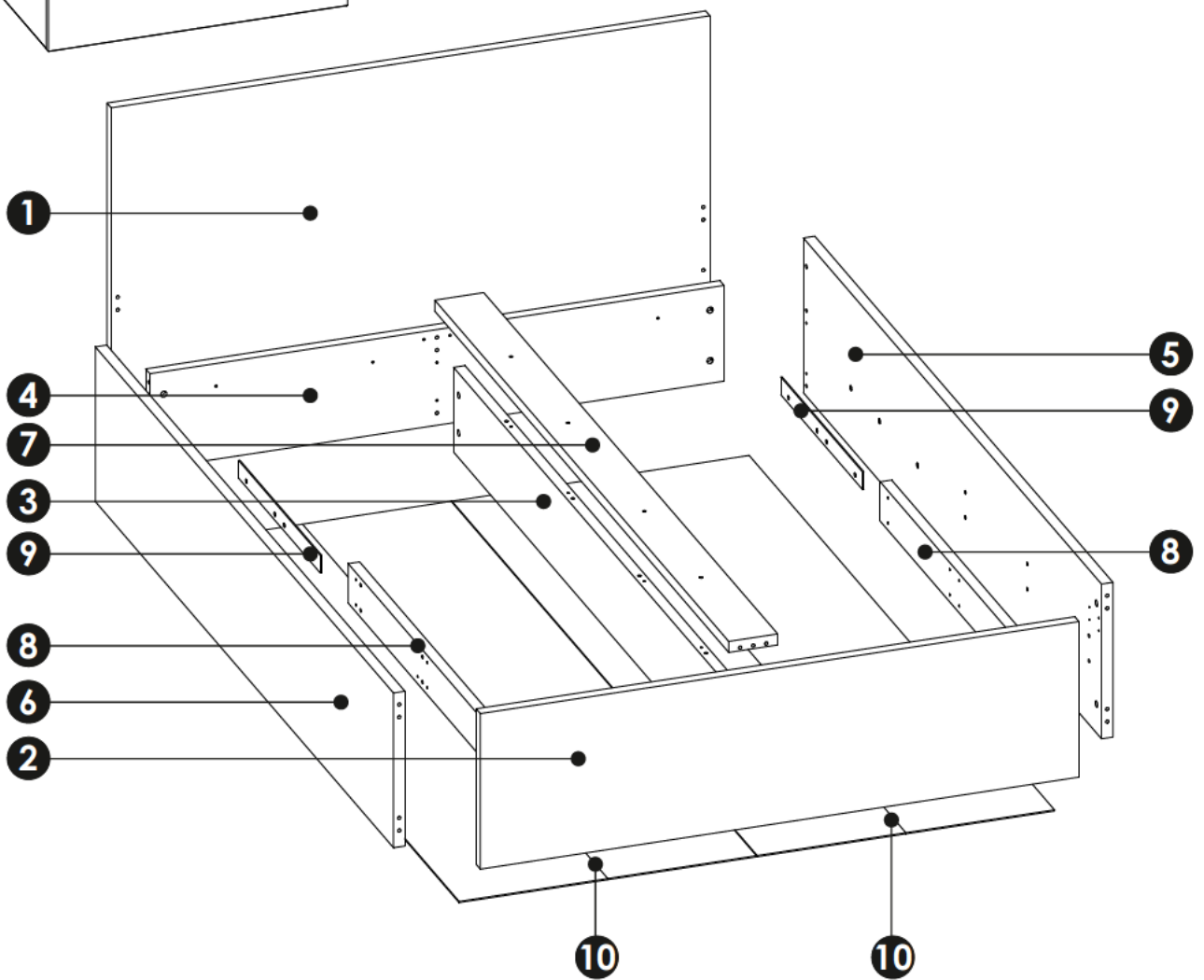
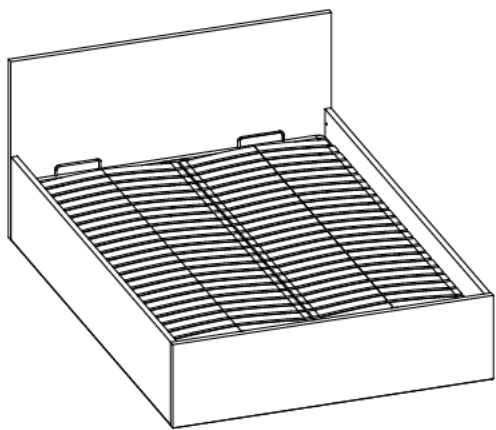
x10  x14 

x4  x96 

x2 

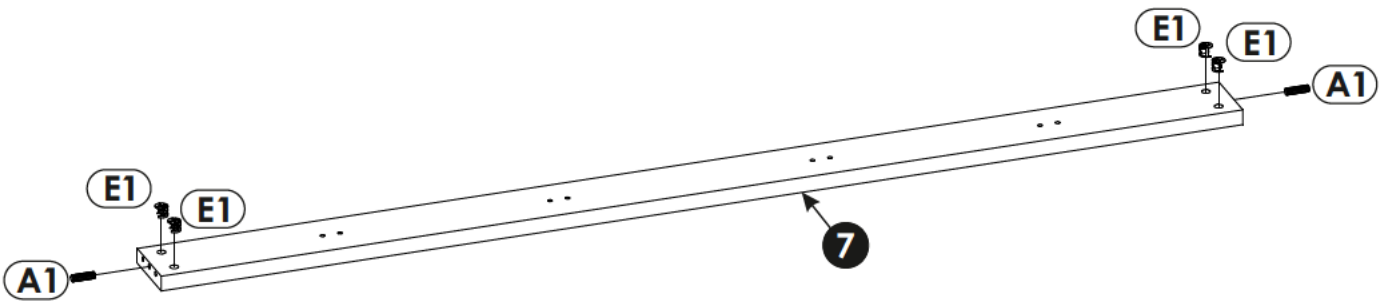
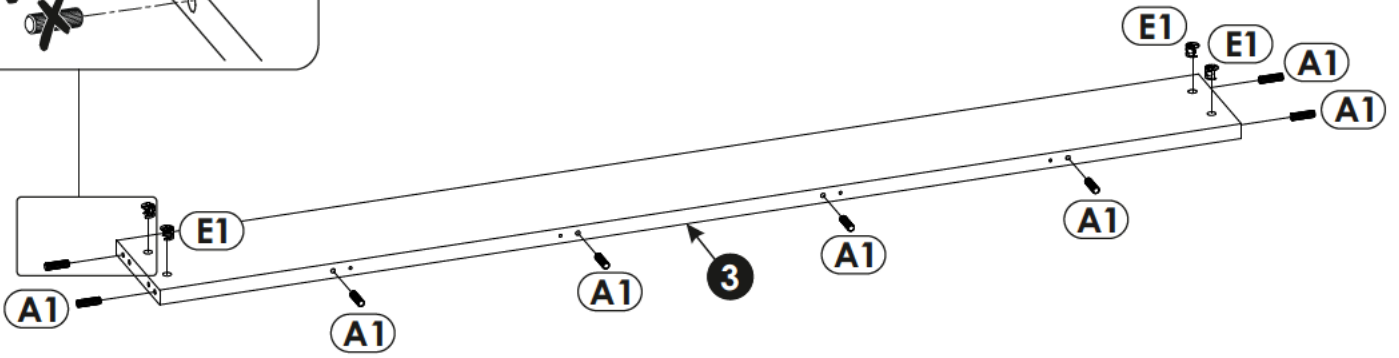
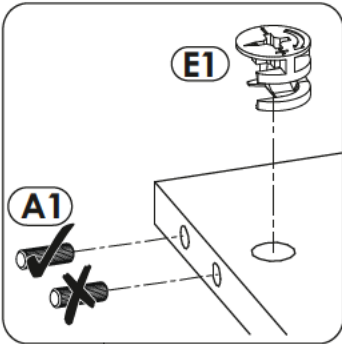
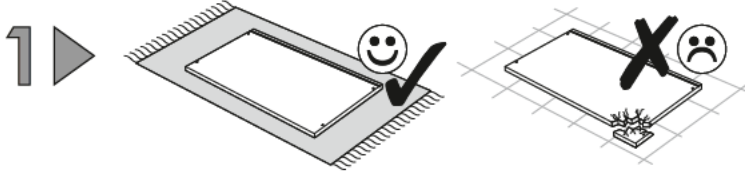
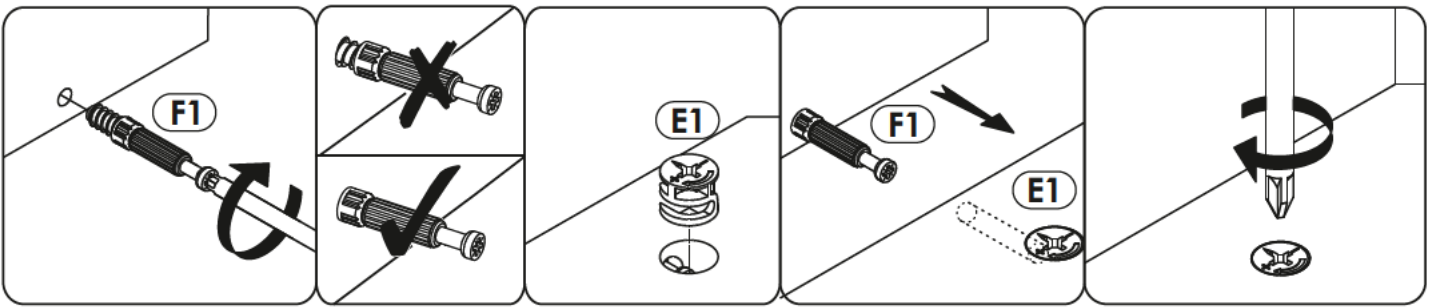
5/5 

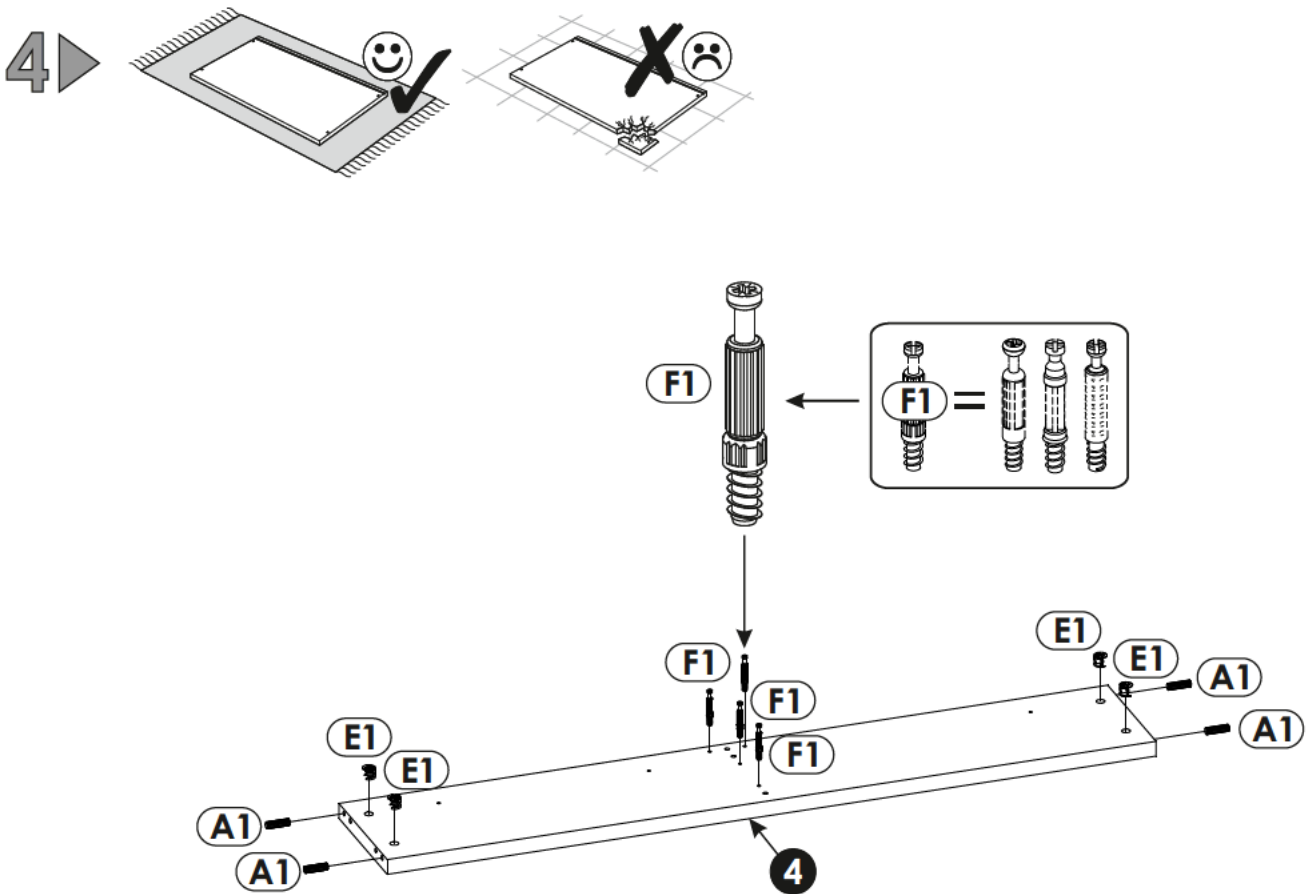
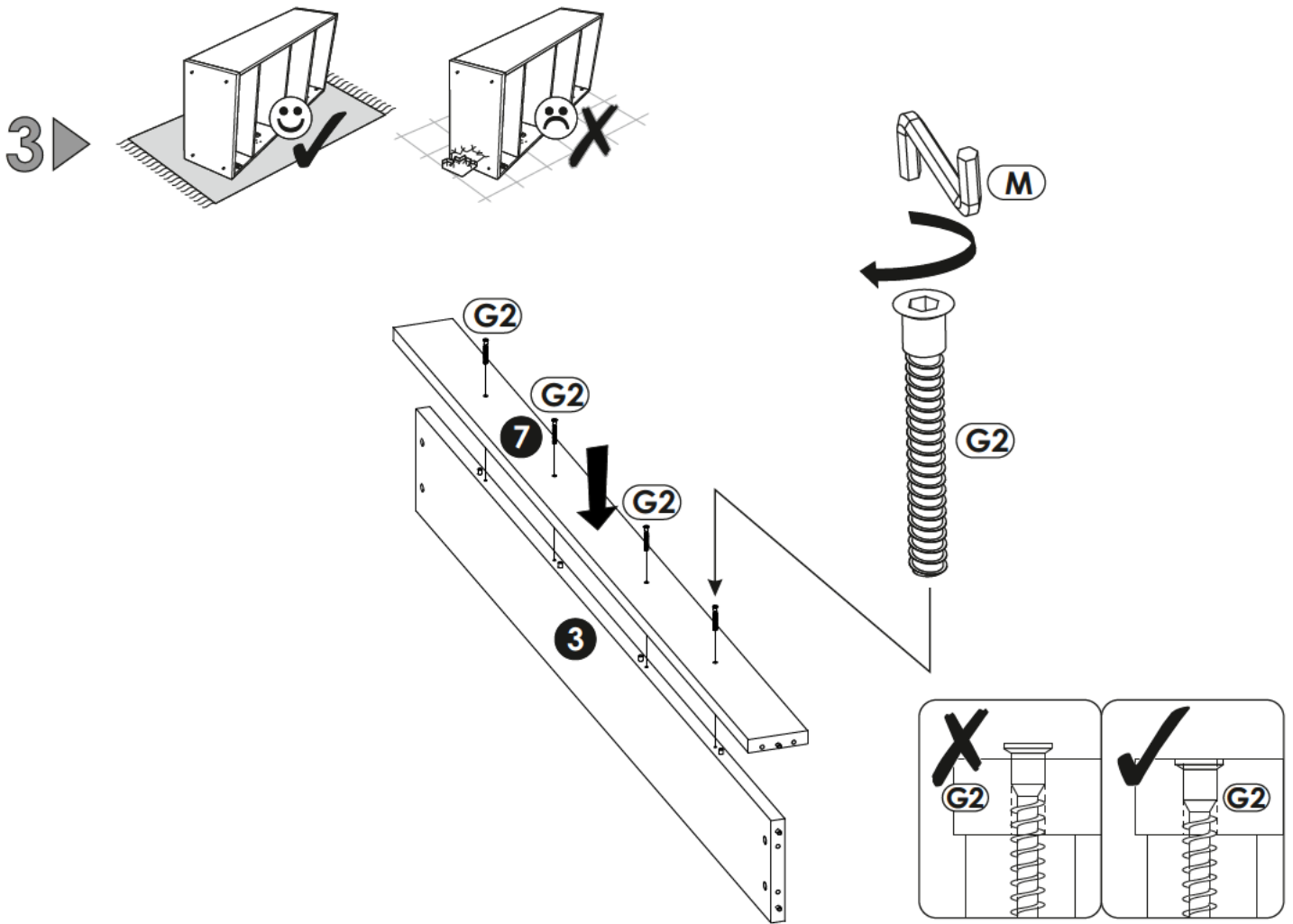


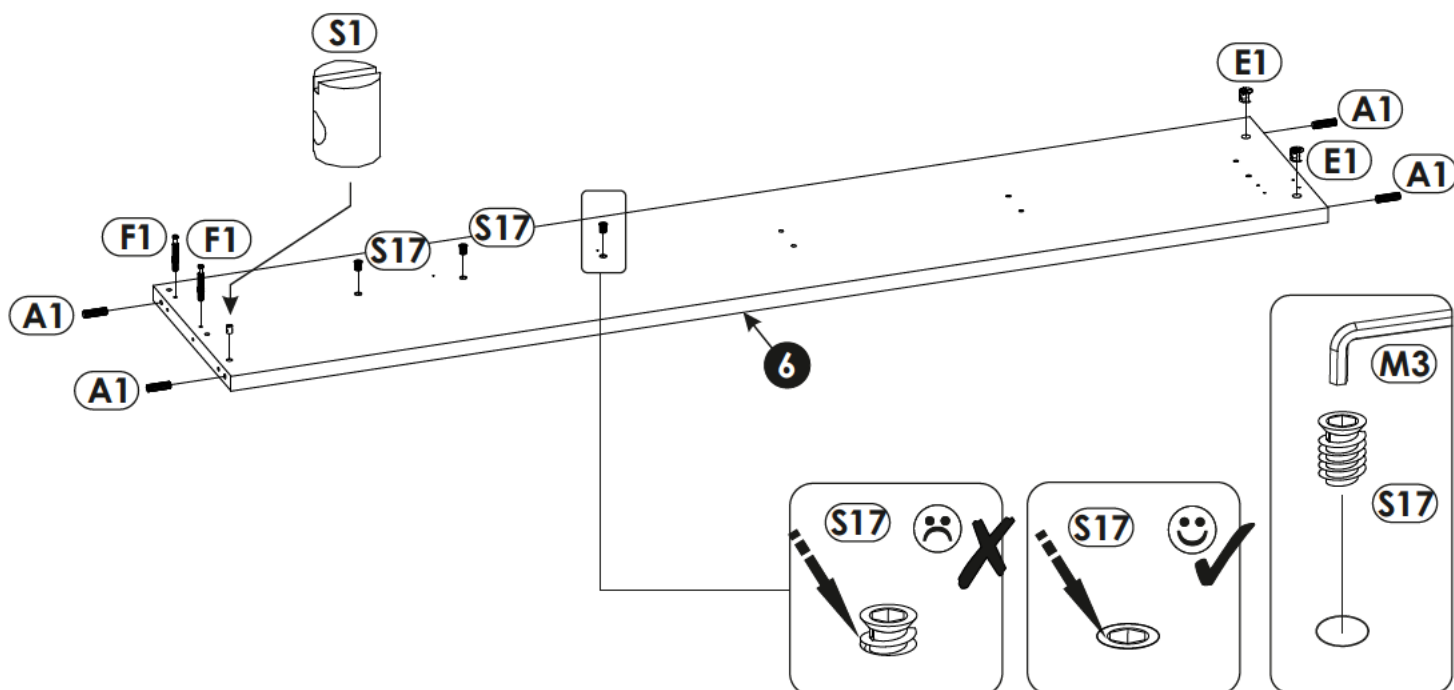
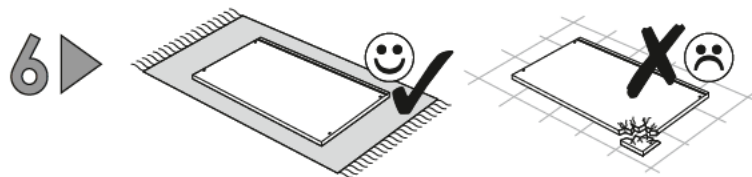
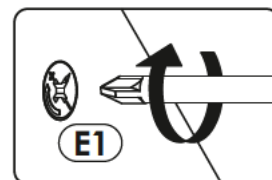
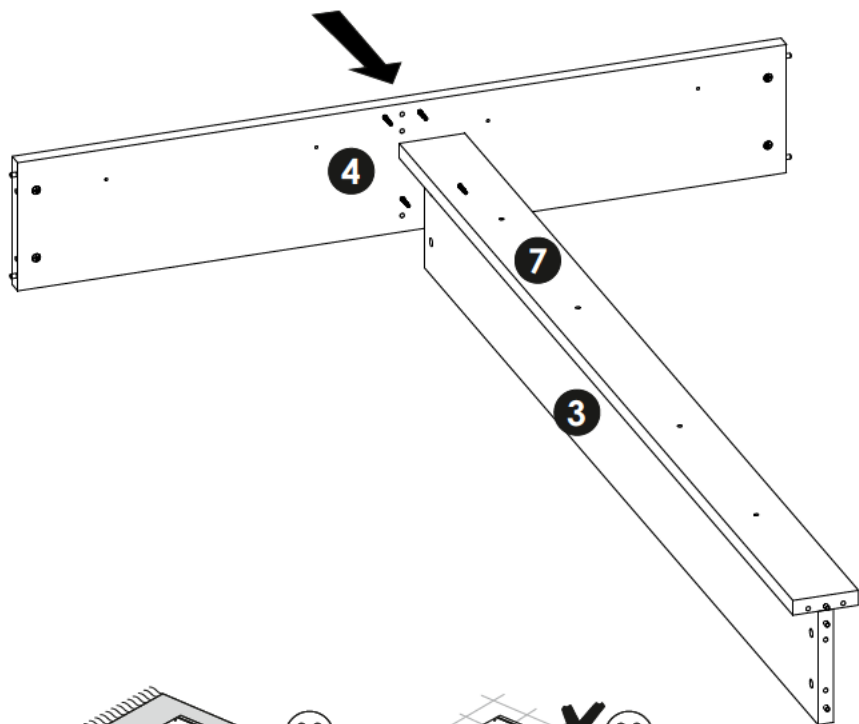
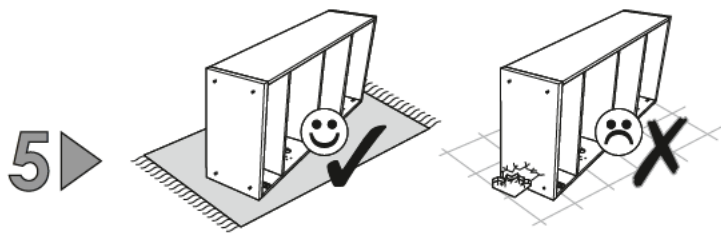


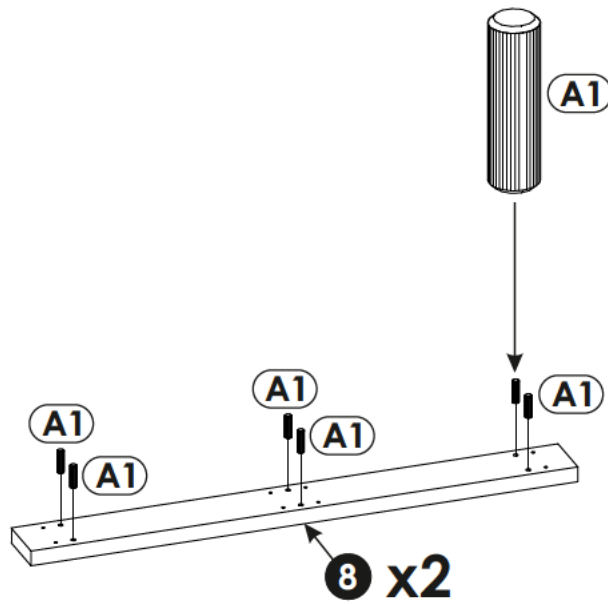
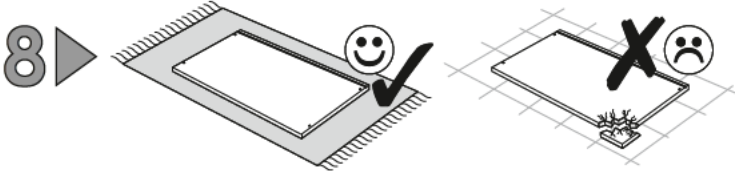
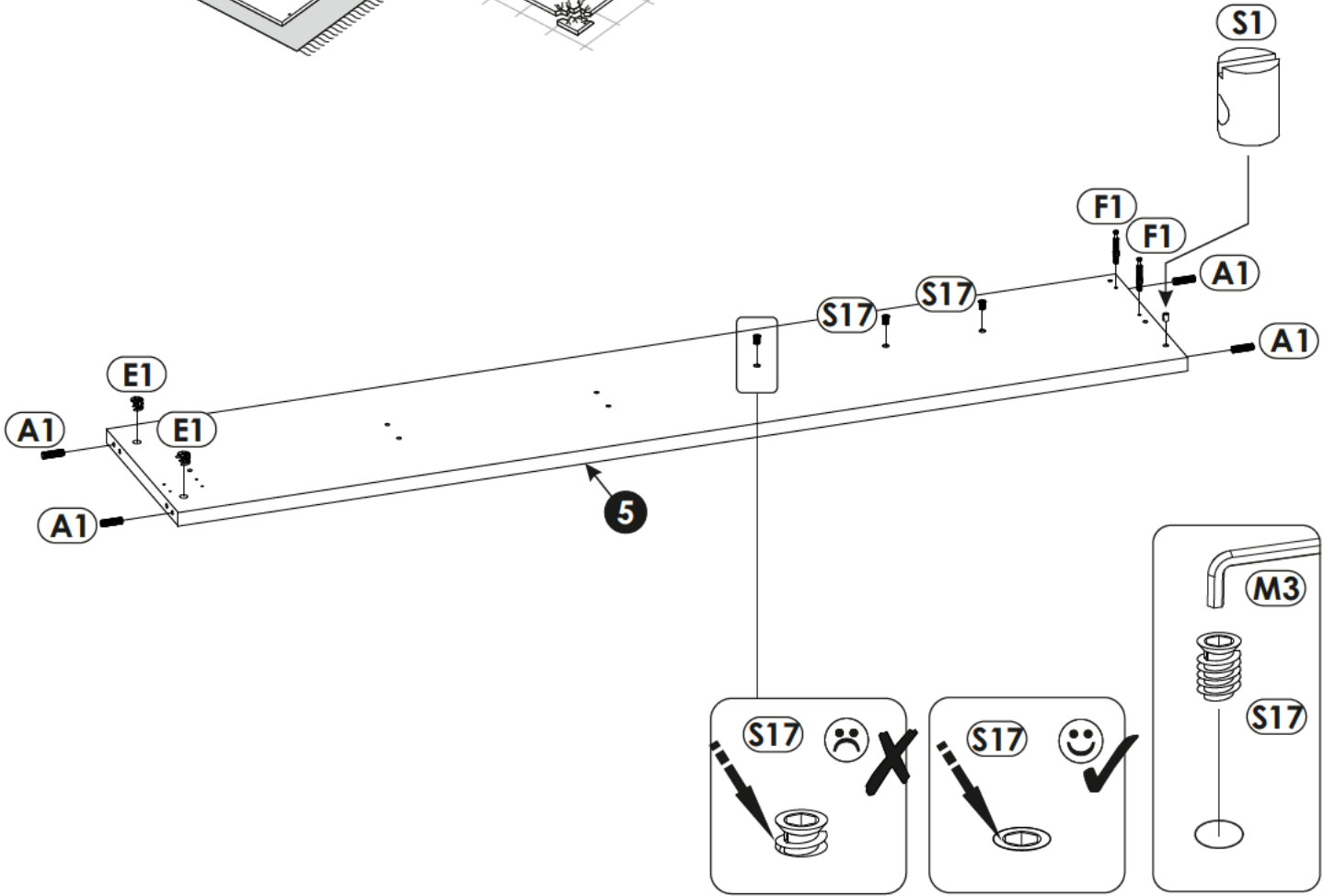
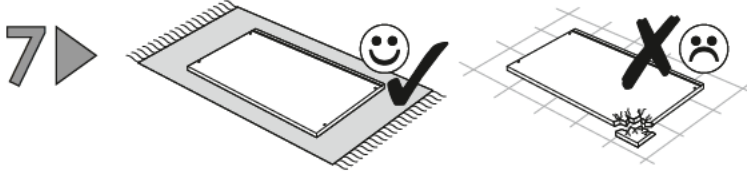
1	1466	845	28	x1	2/5
2	1466	395	28	x1	3/5
3	215	1978	28	x1	1/5
4	1406	243	28	x1	1/5
5	2006	393	28	x1	3/5

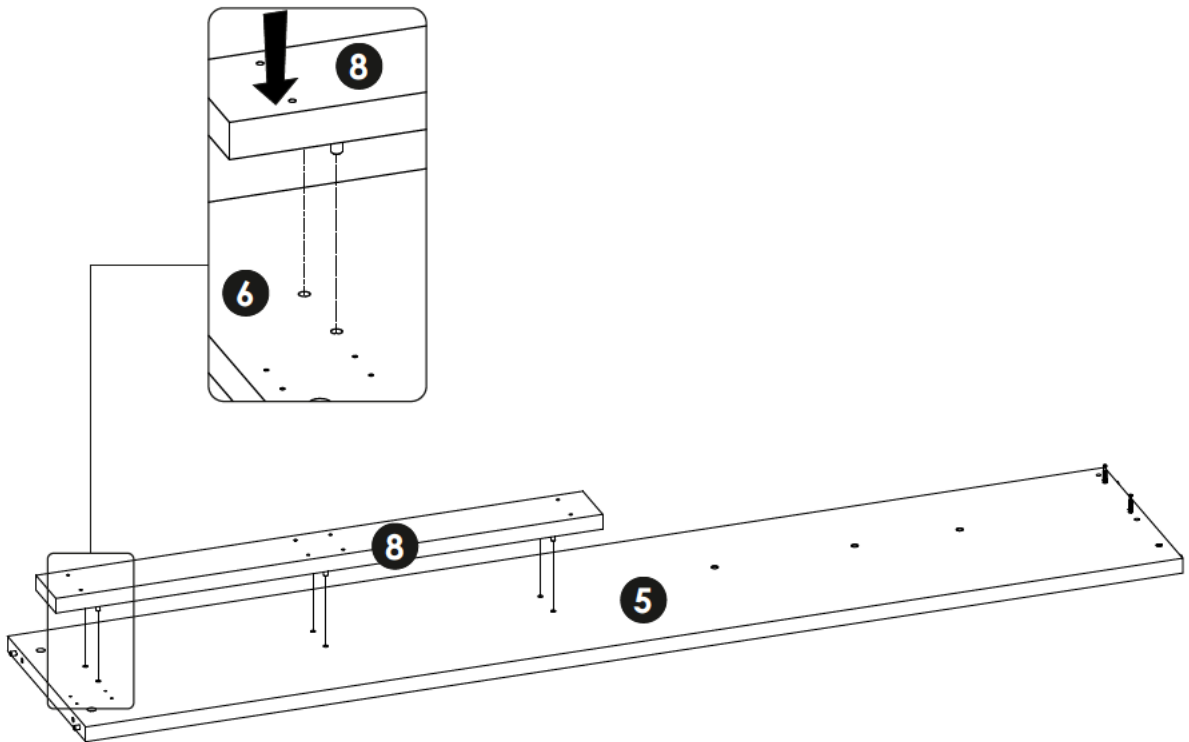
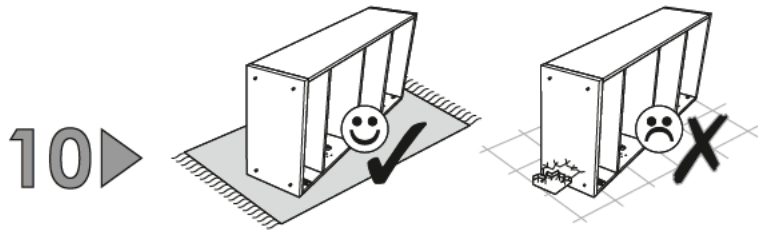
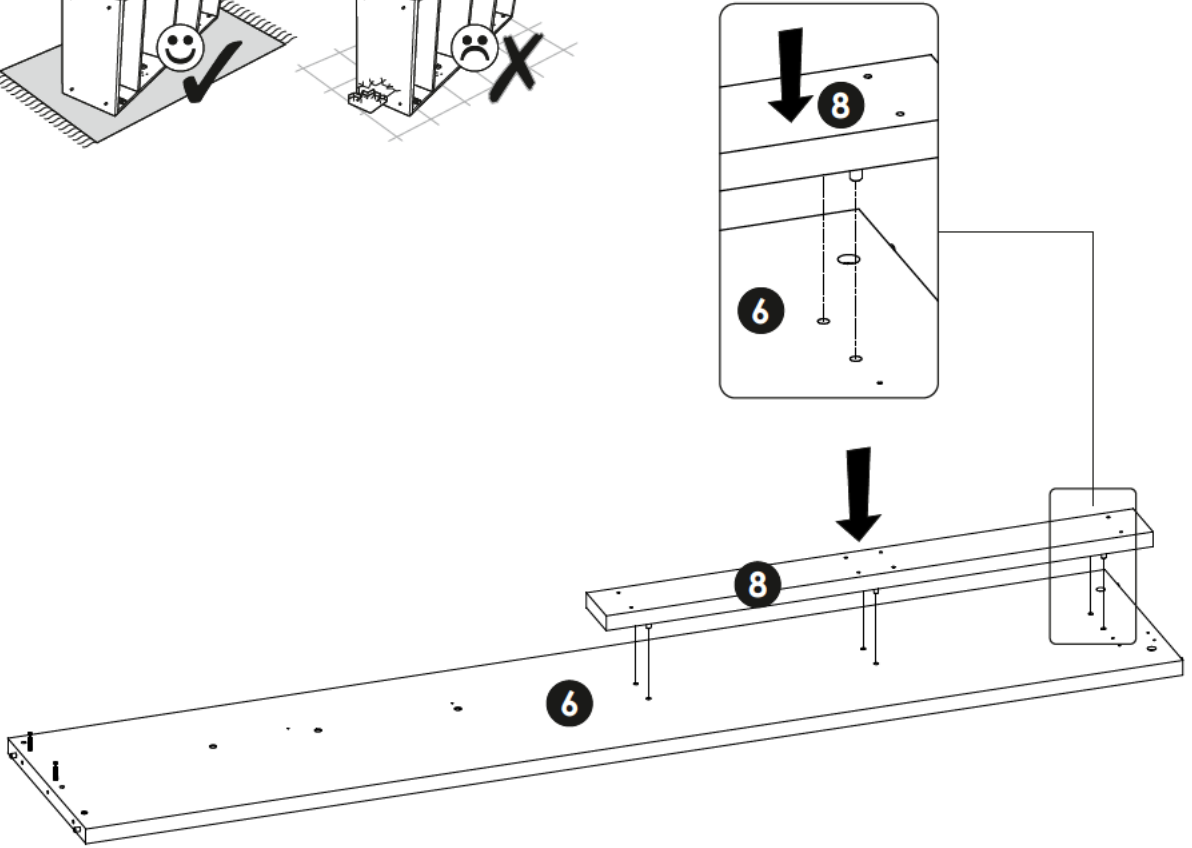
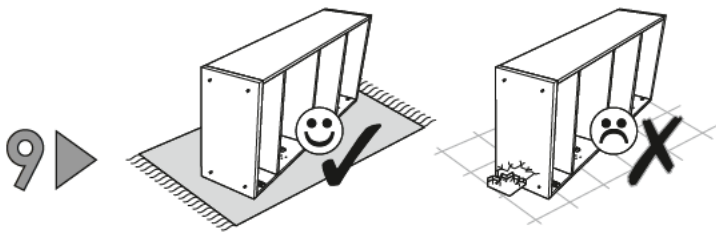
6	2006	393	28	x1	4/5
7	120	1978	28	x1	1/5
8	100	1000	28	x2	1/5
9	550	45	3	x2	1/5
10	2054	728	3	x2	4/5



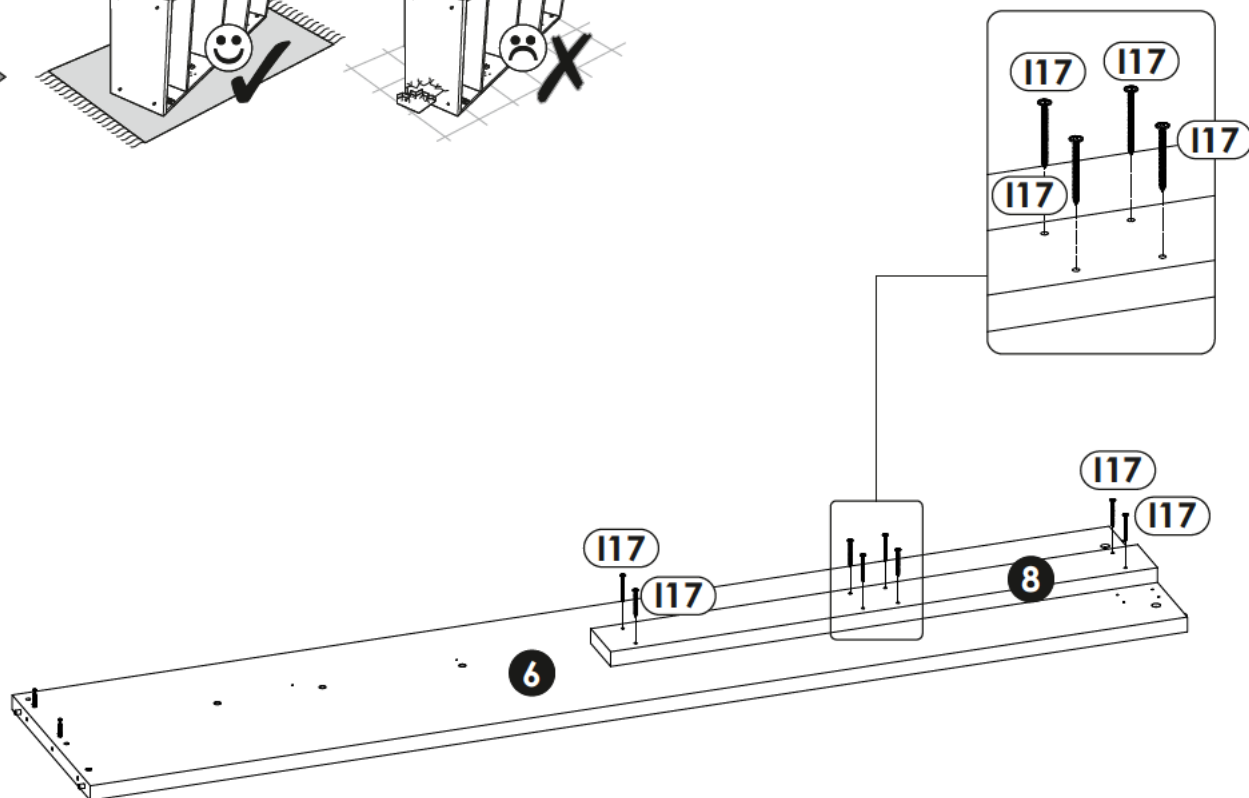
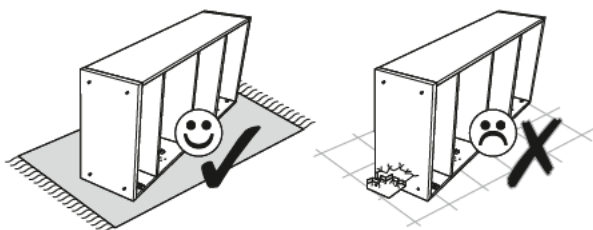




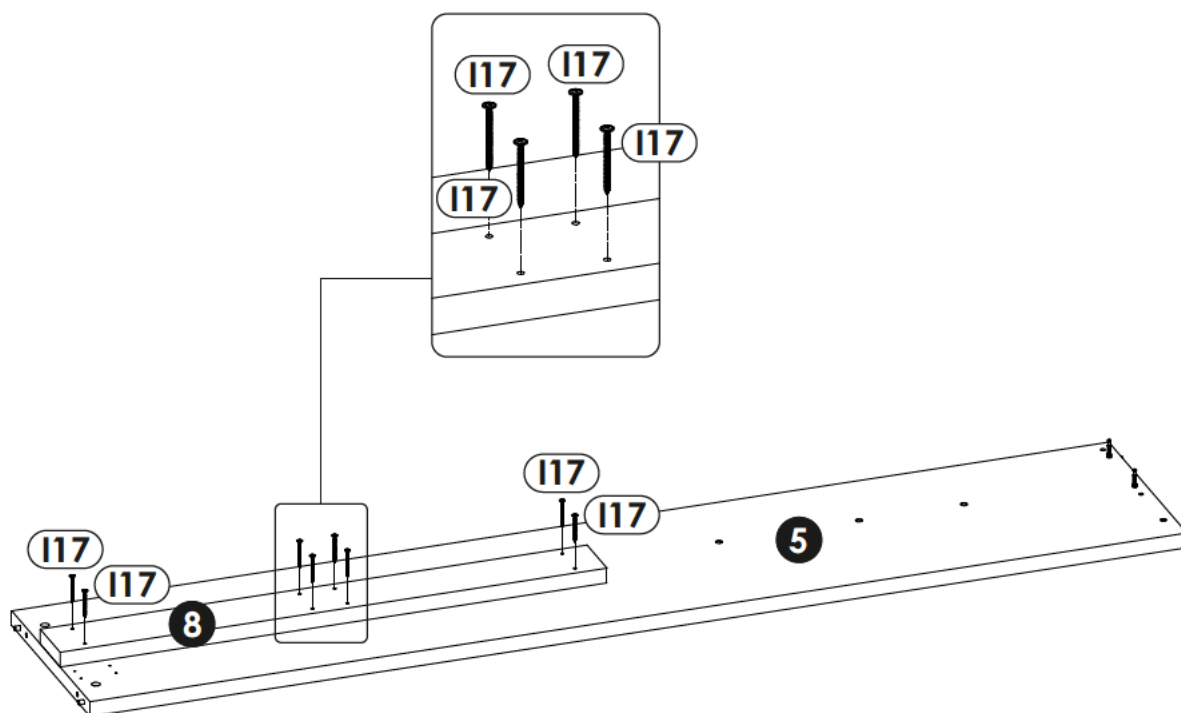
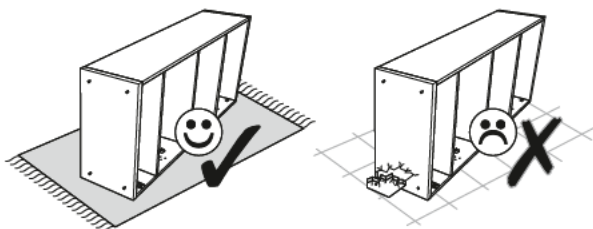


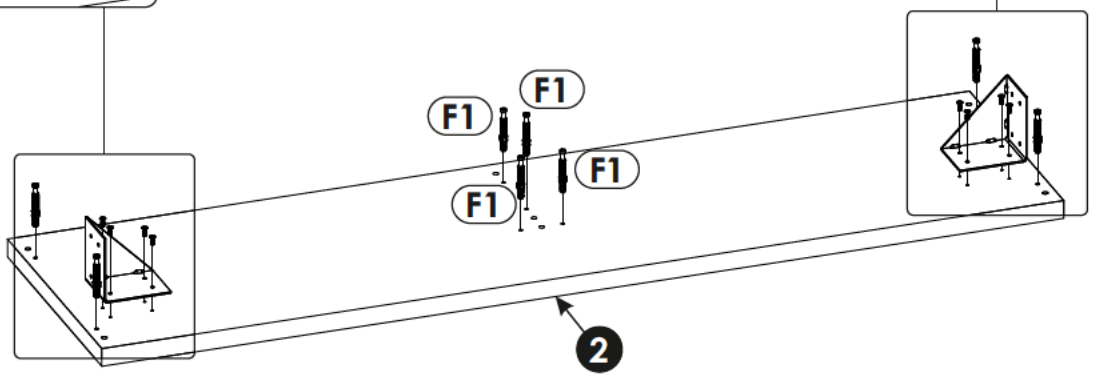
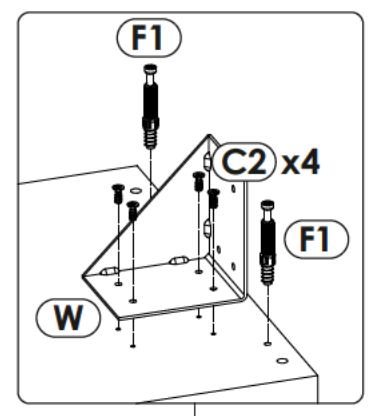
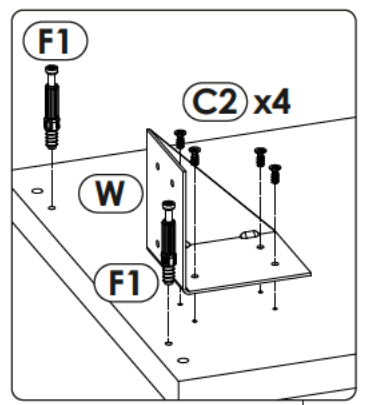
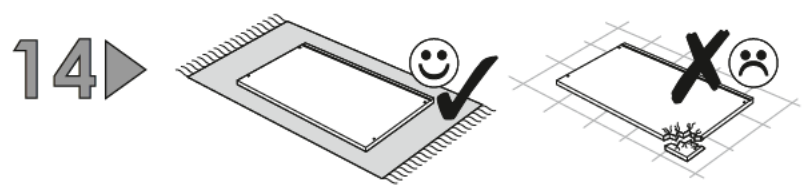
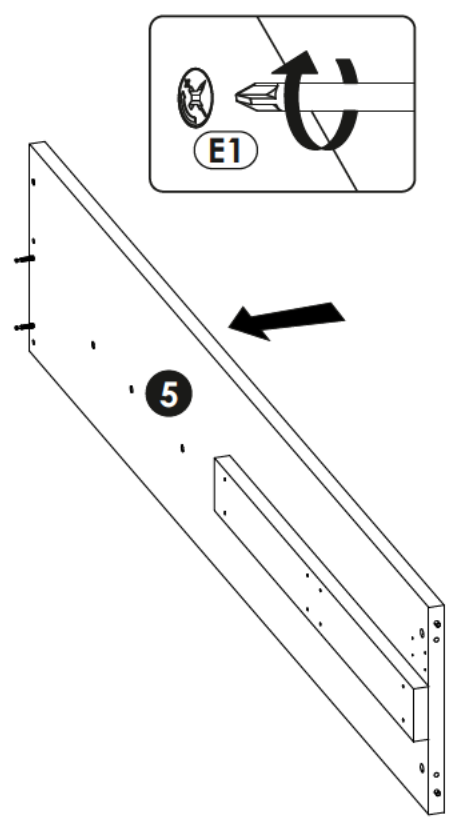
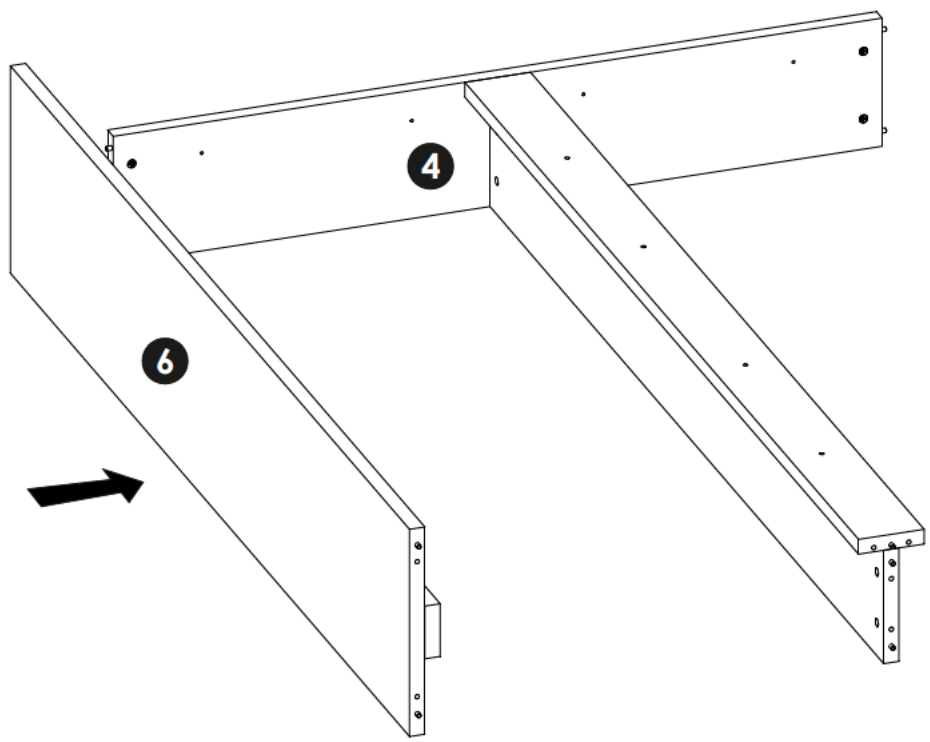
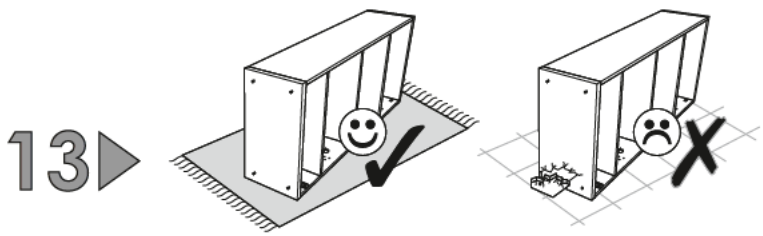


11 ▶

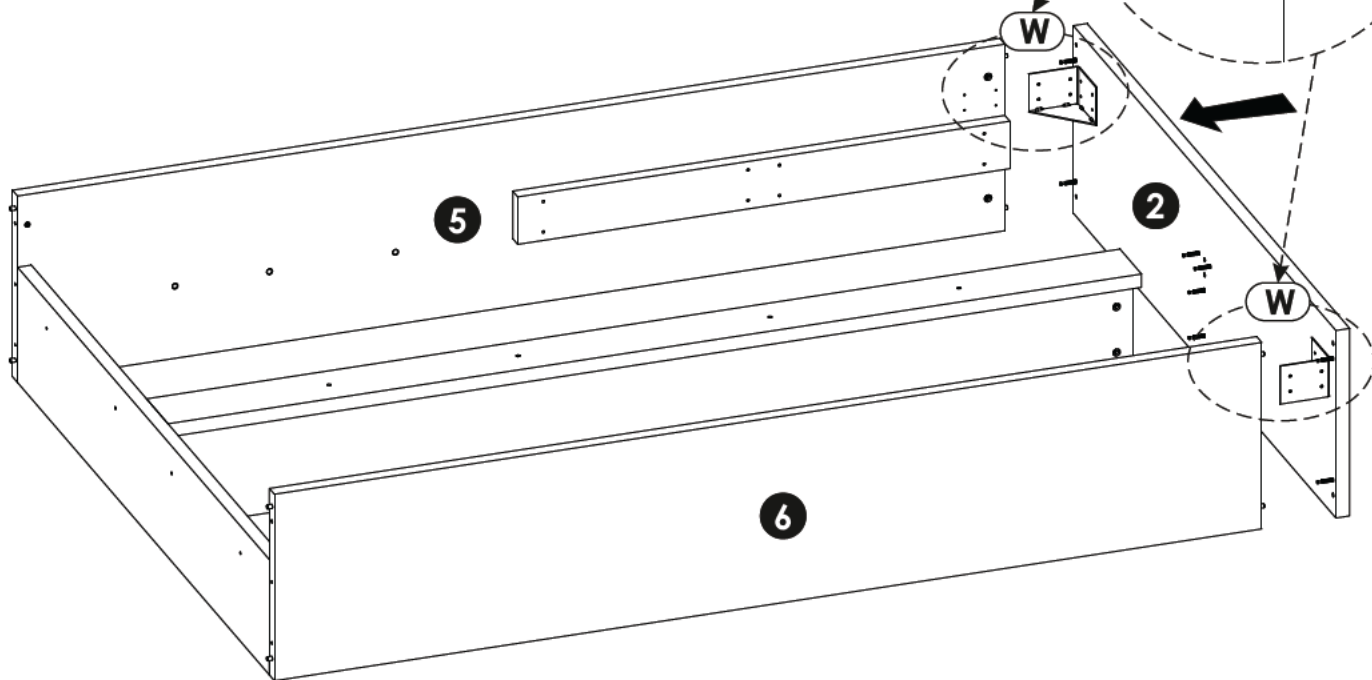
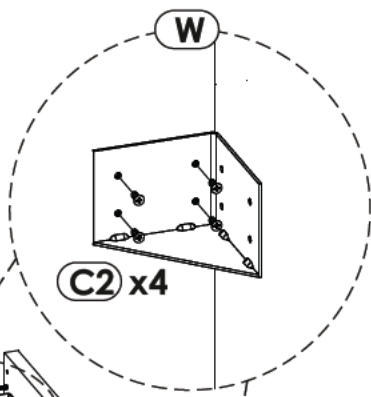
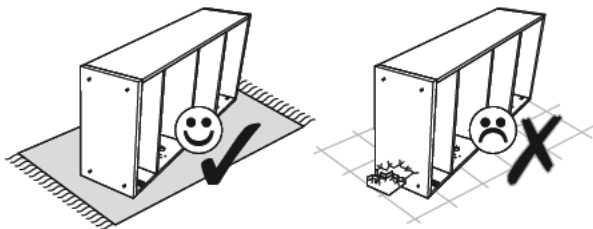


12 ▶

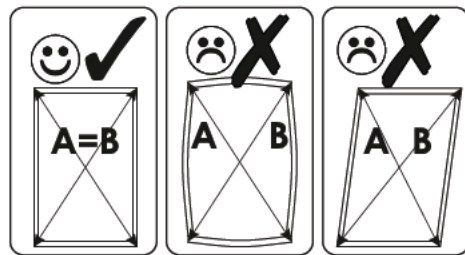
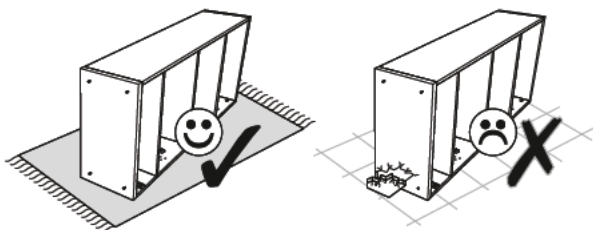




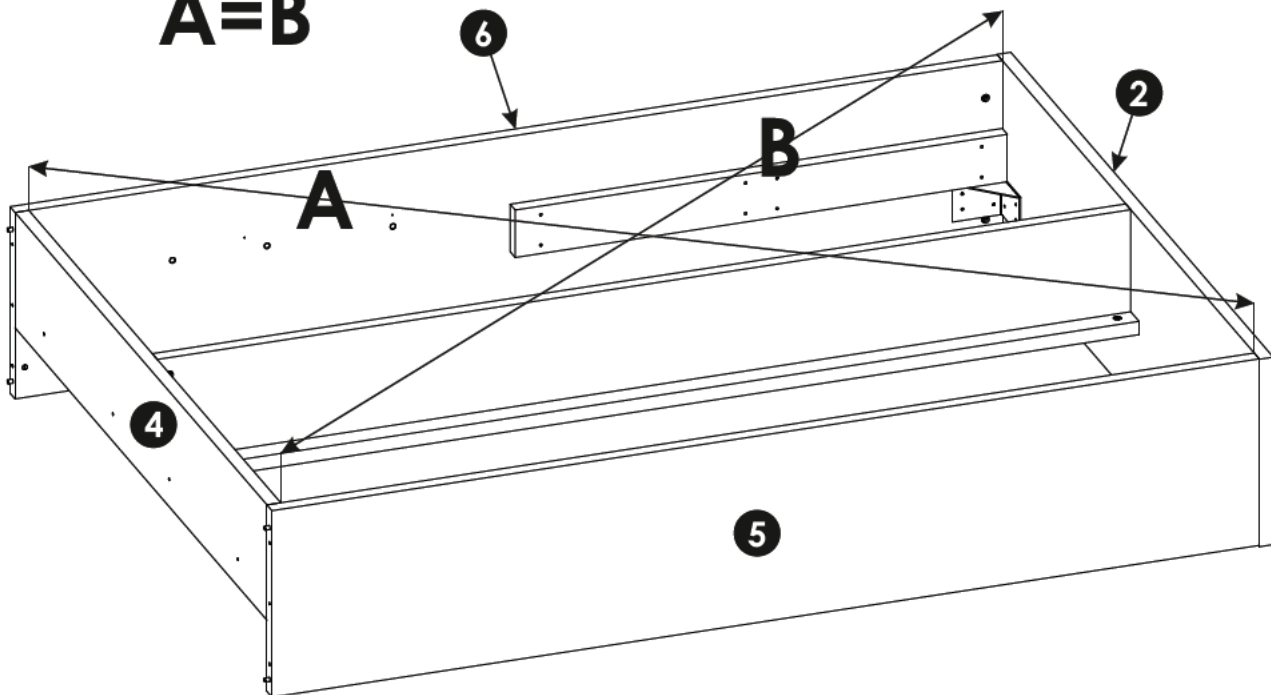
15▶

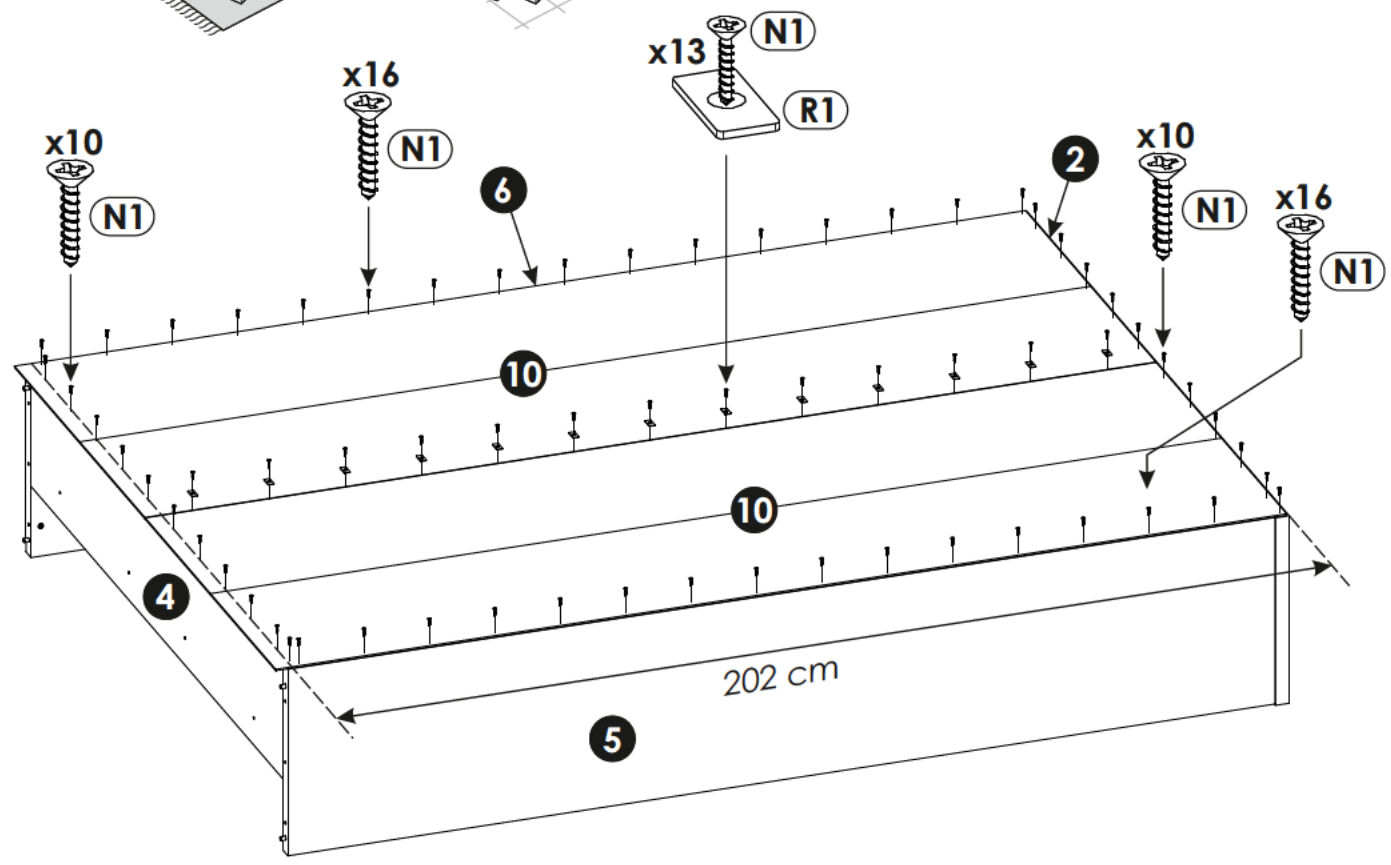
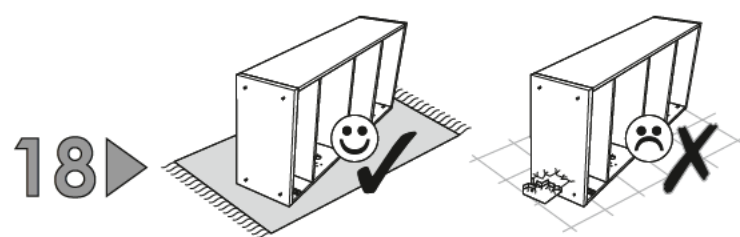
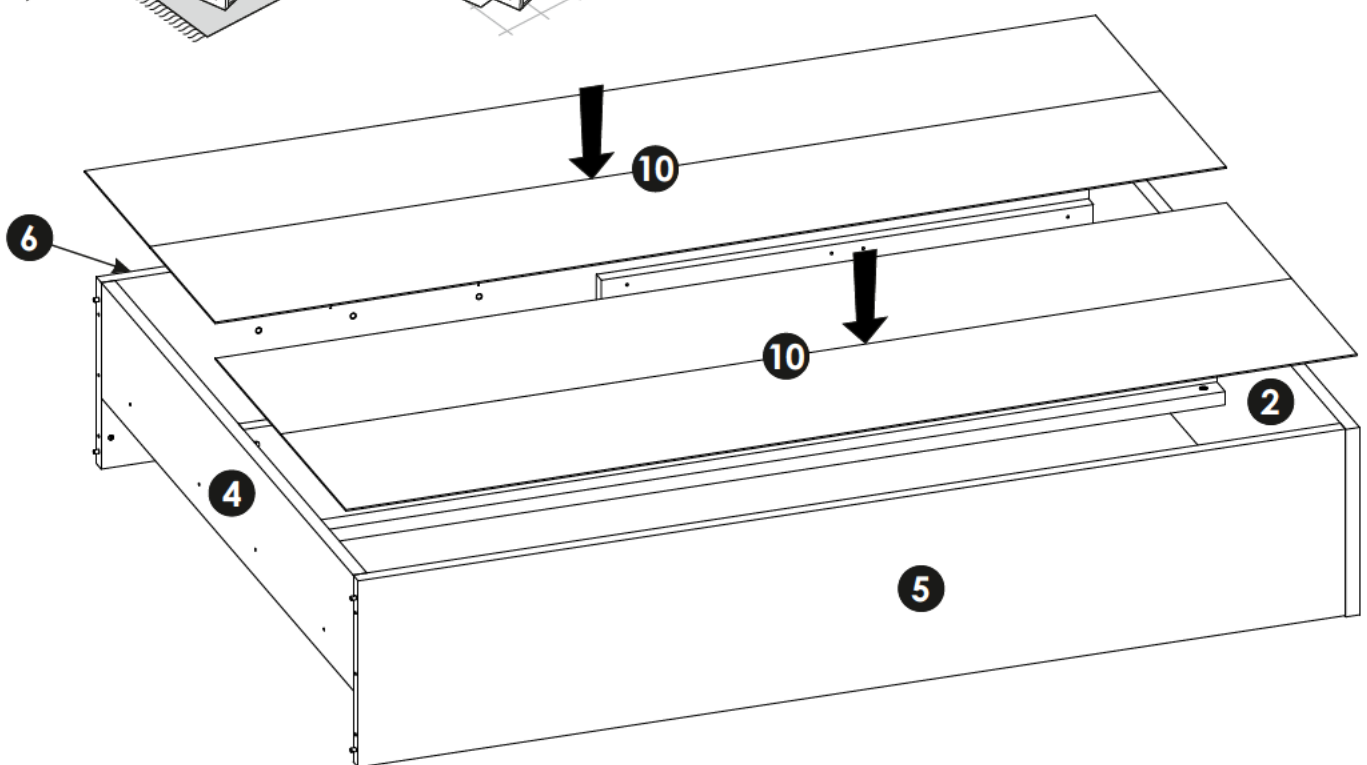
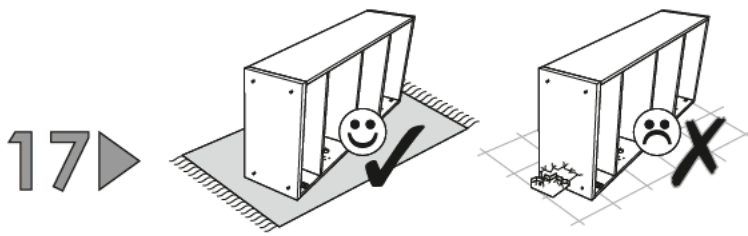


16▶

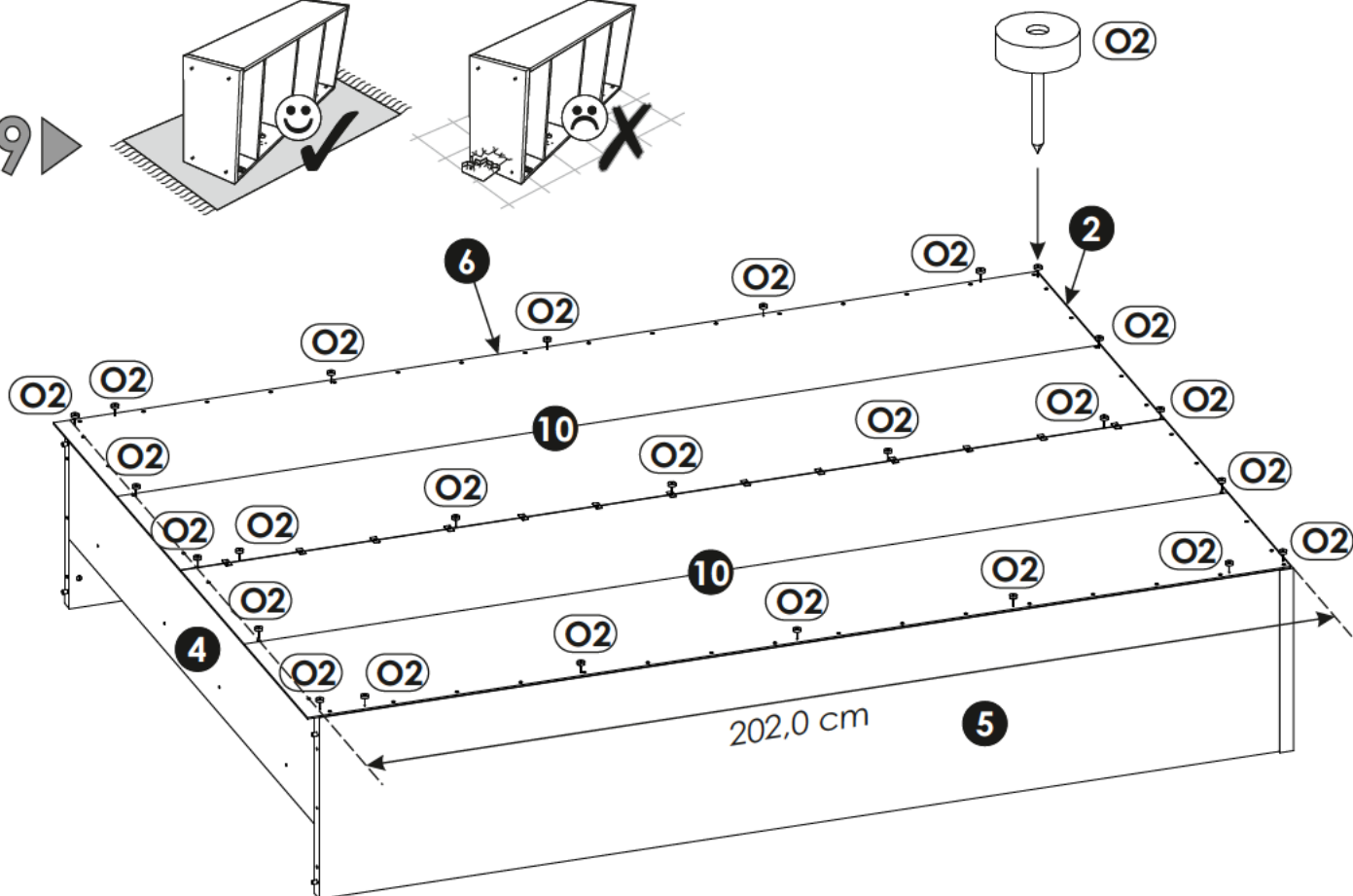
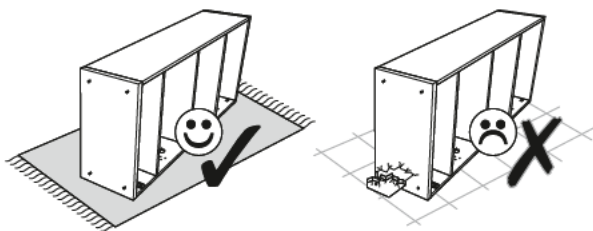


A=B

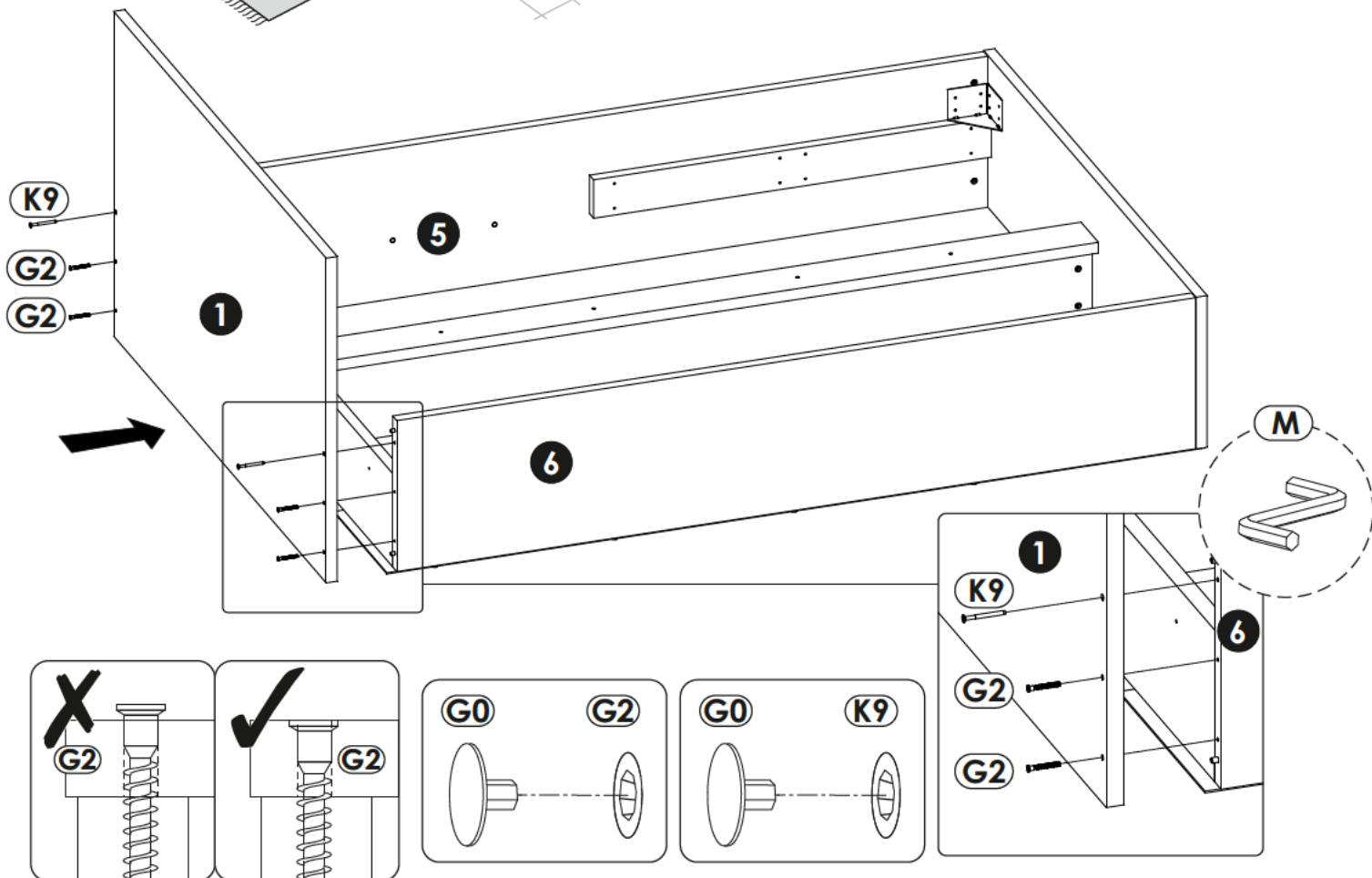
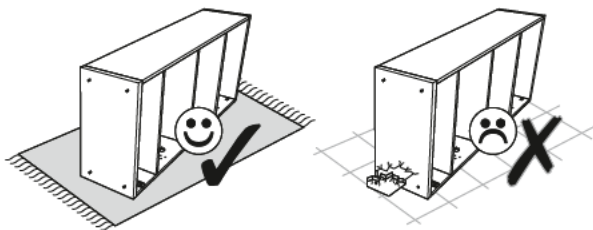




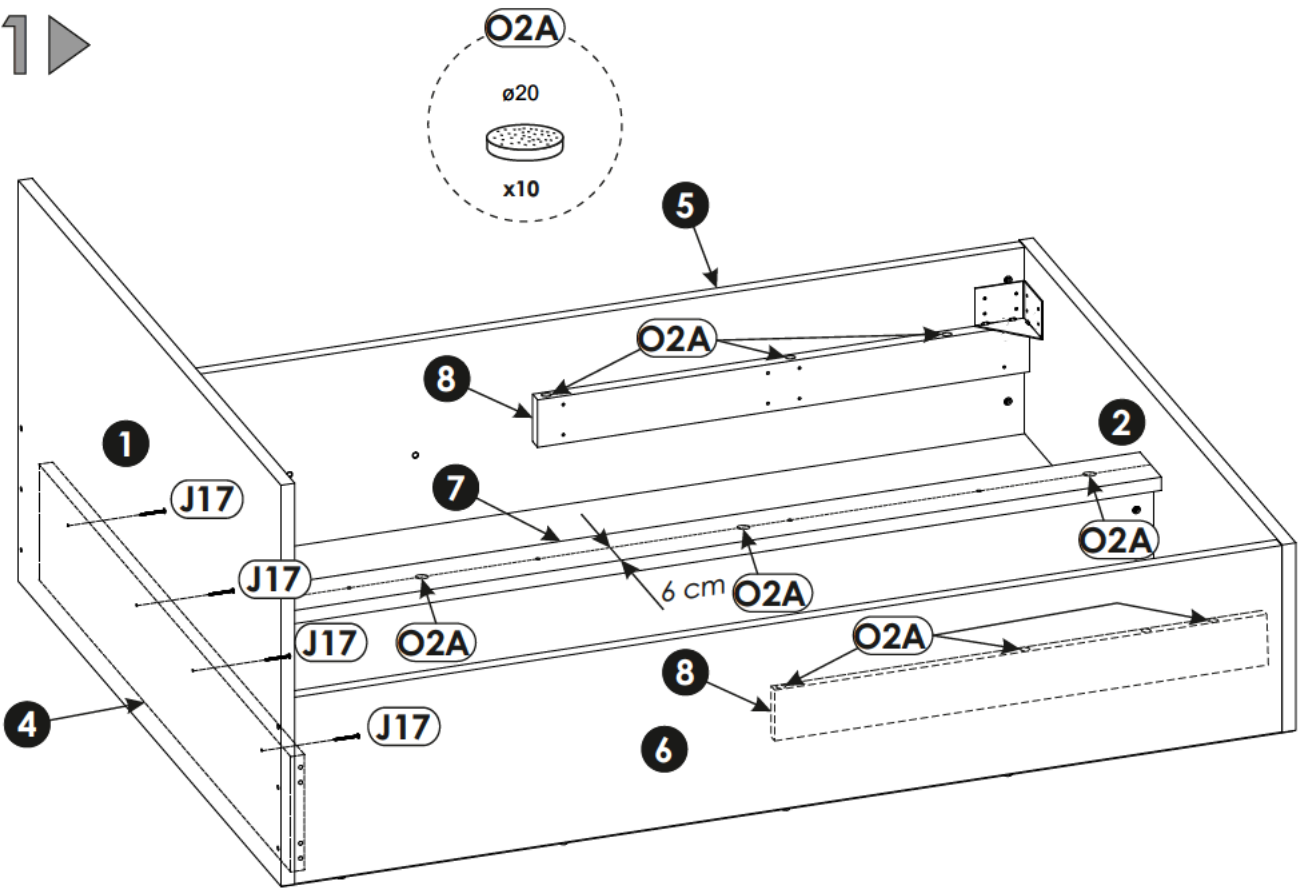
19 ▶



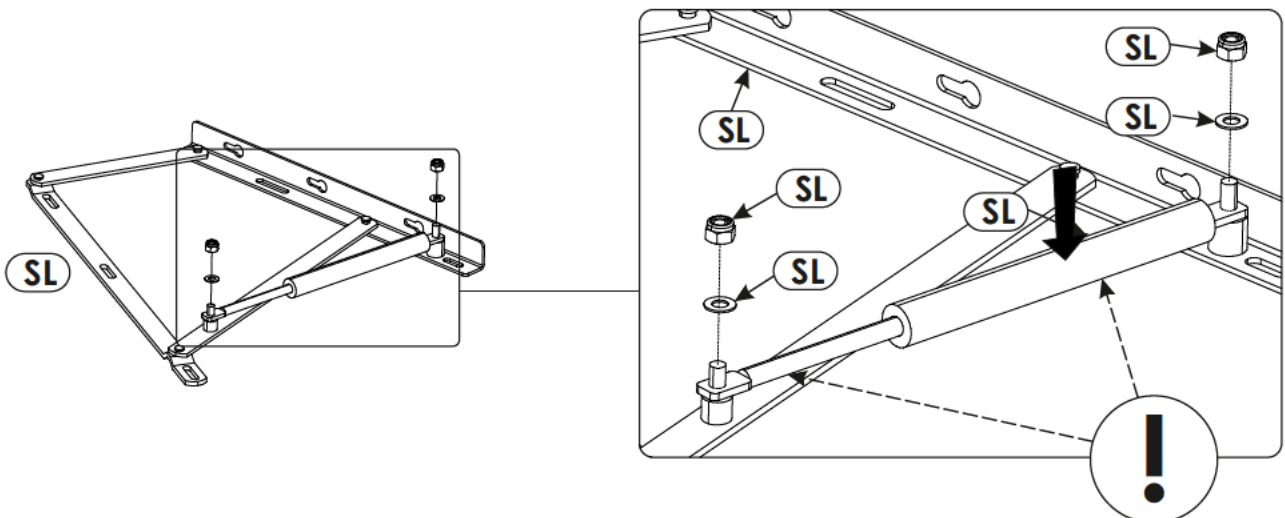
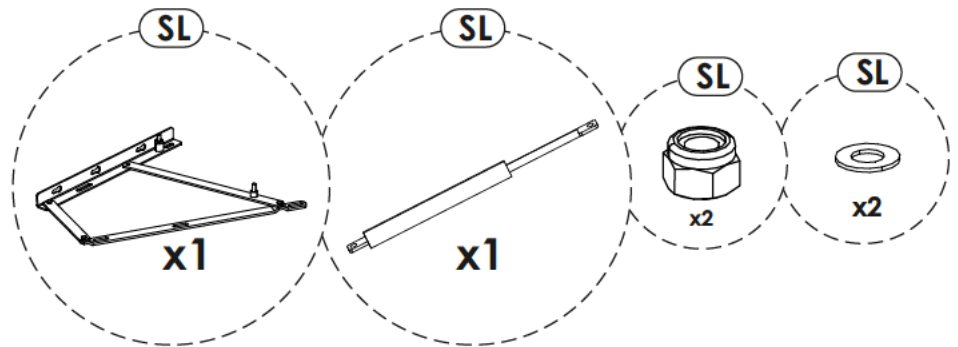
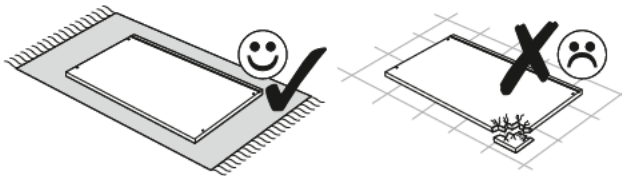
20 ▶

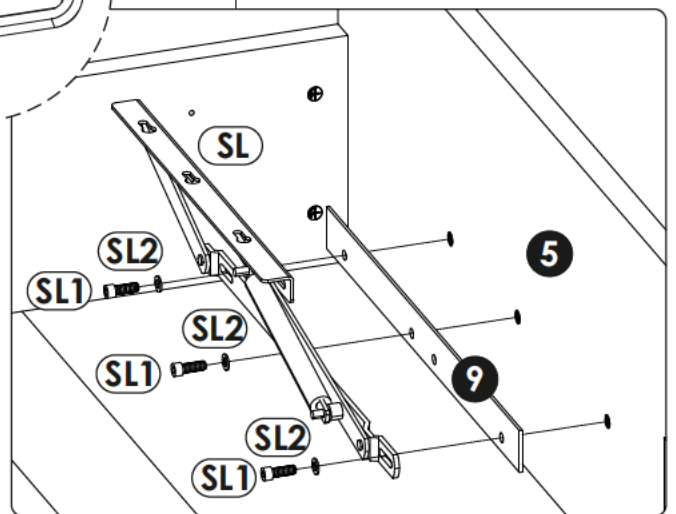
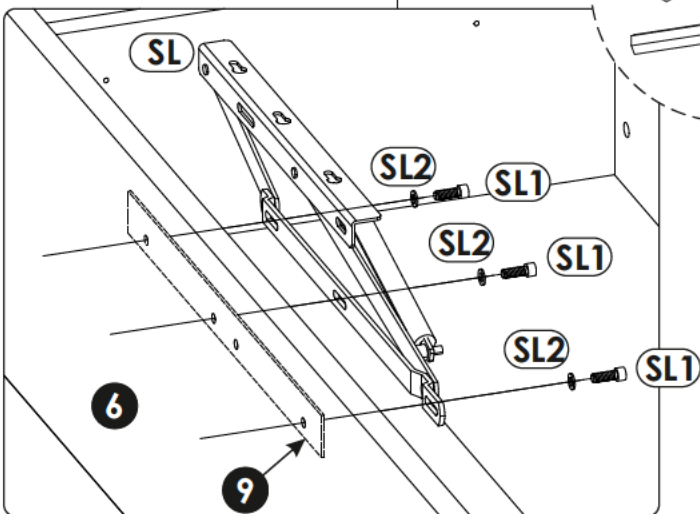
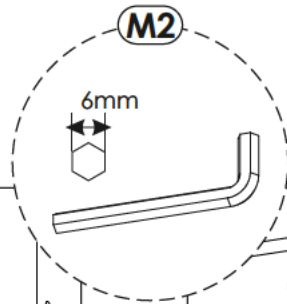
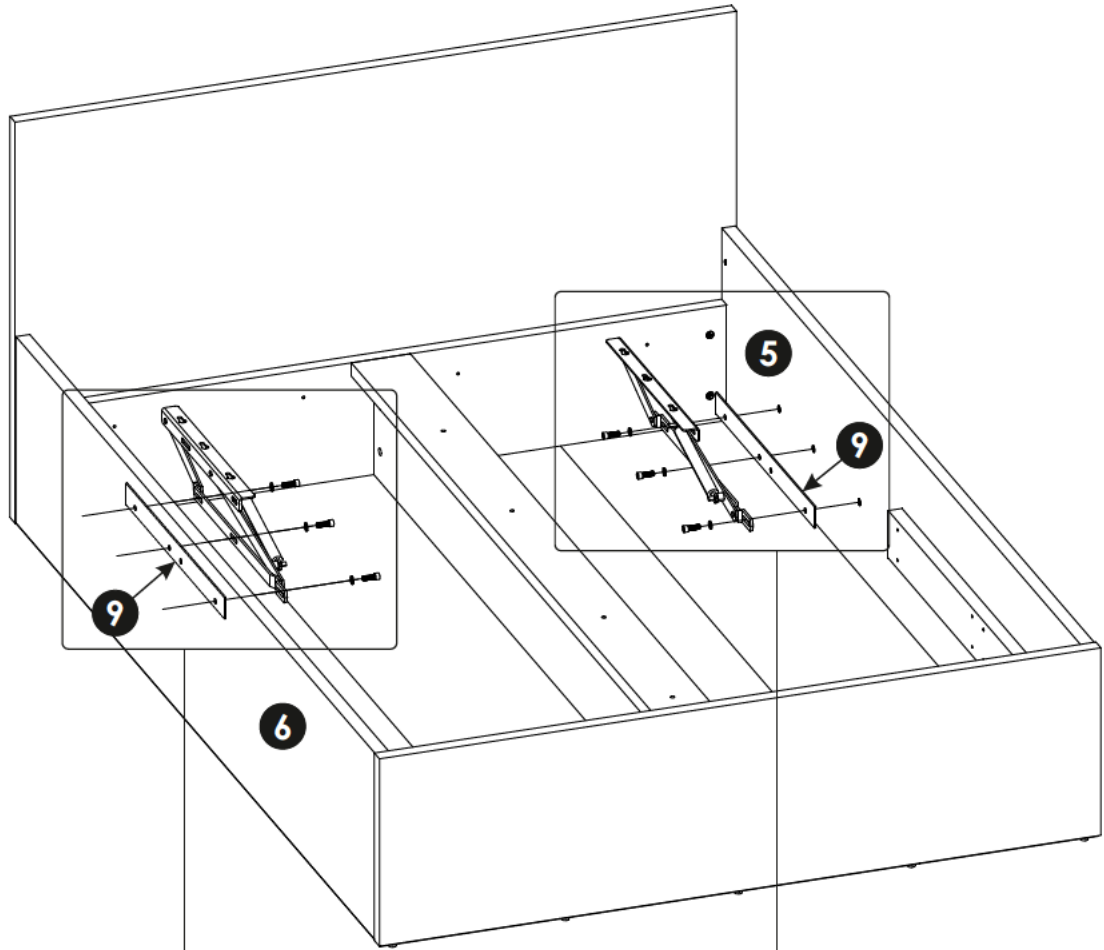


21 ▶

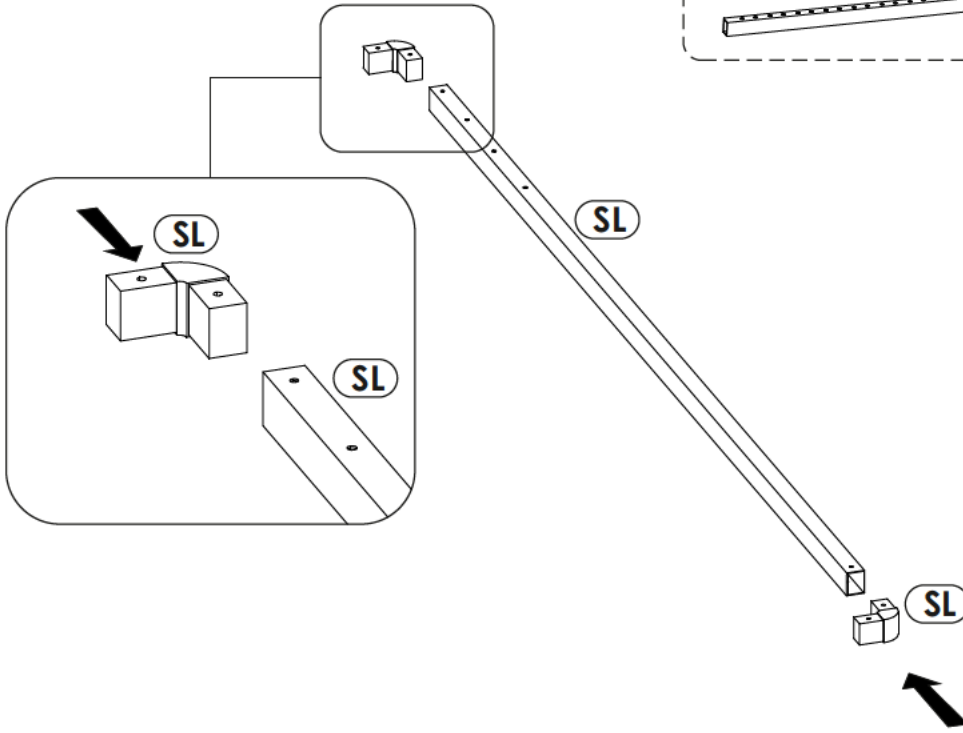
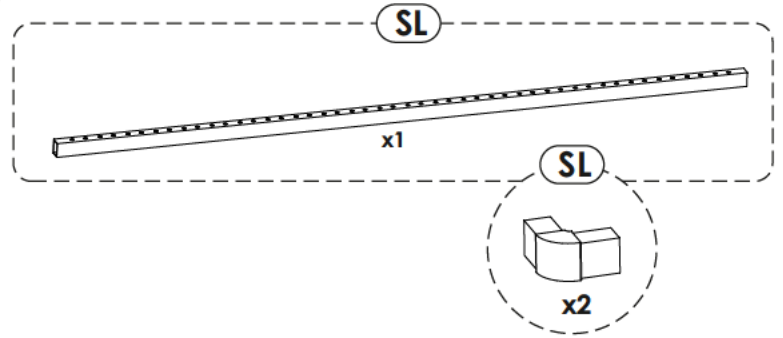
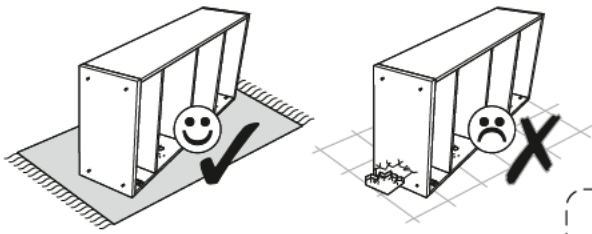


22 ▶

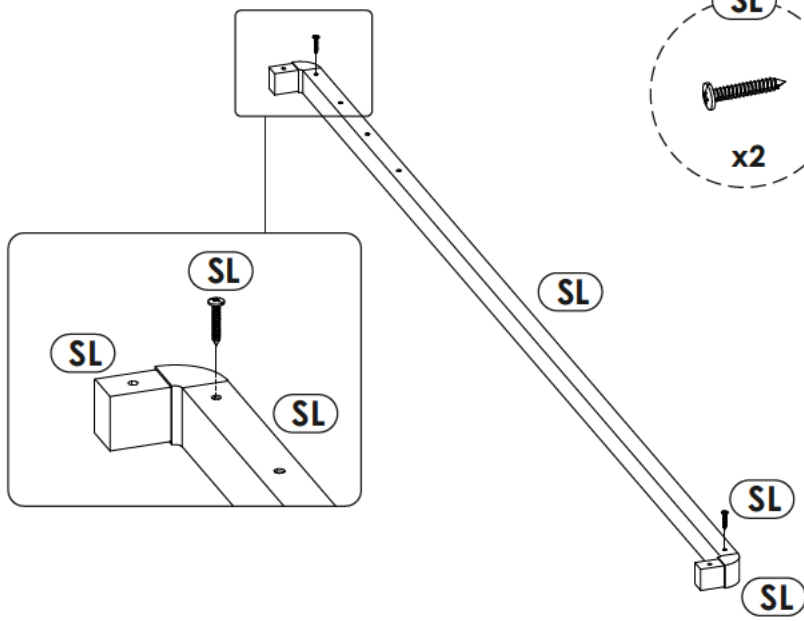
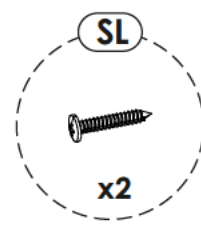
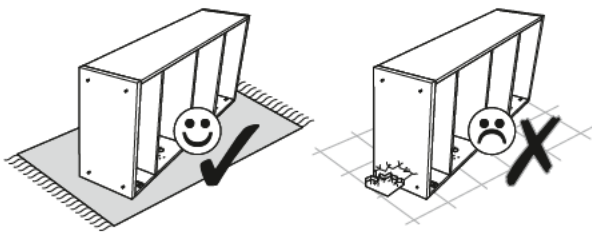




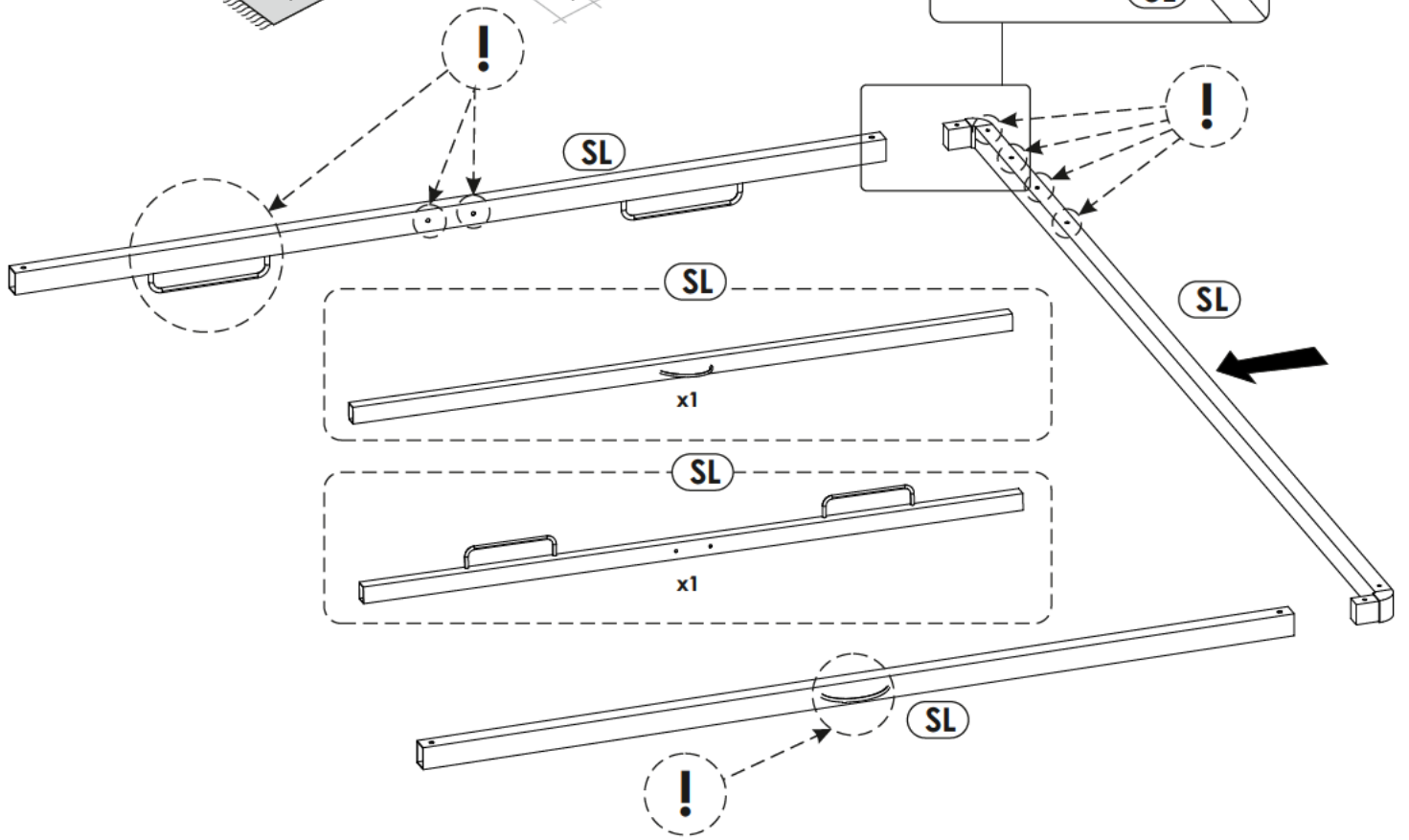
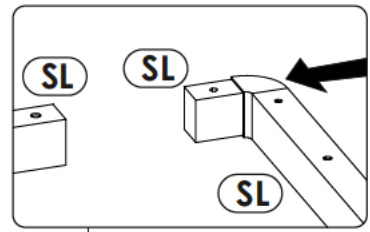
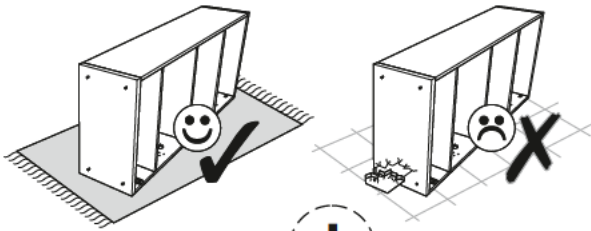
24▶



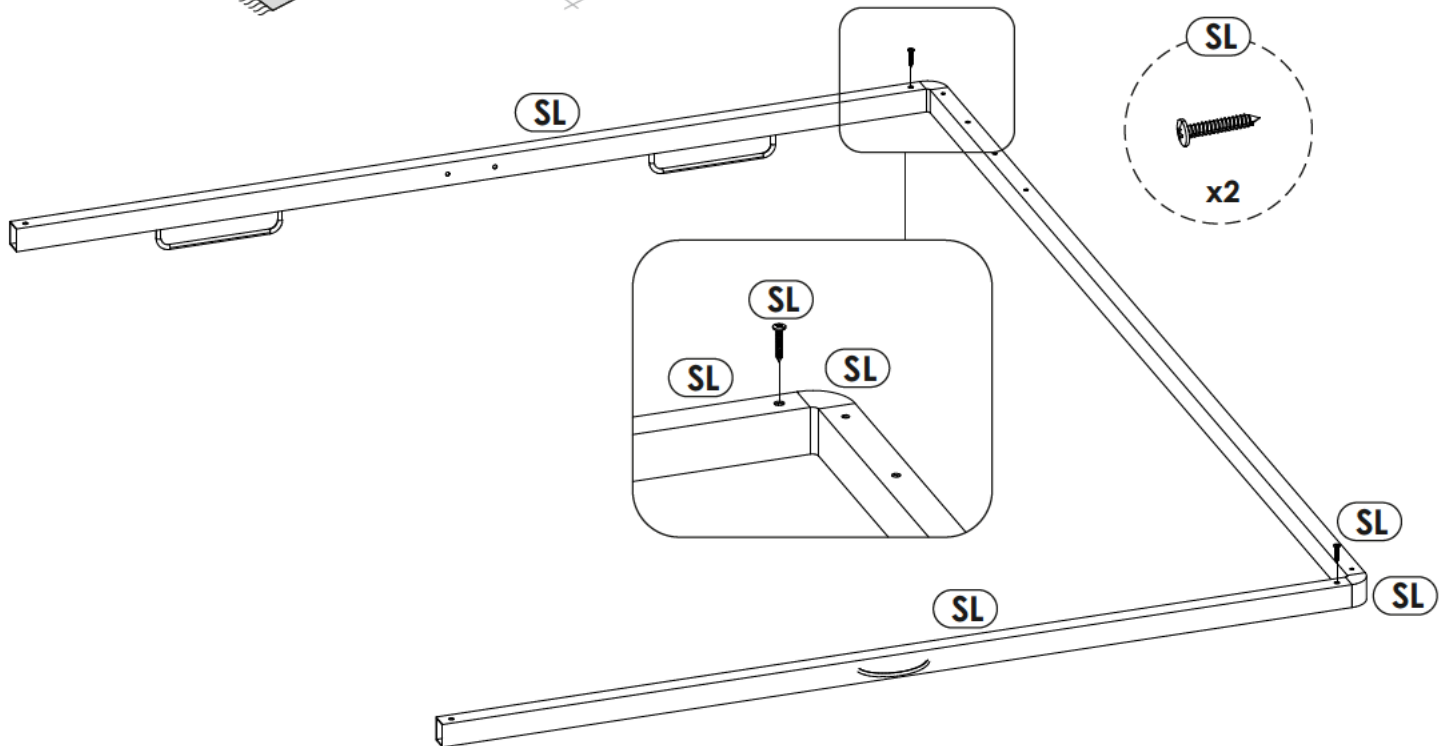
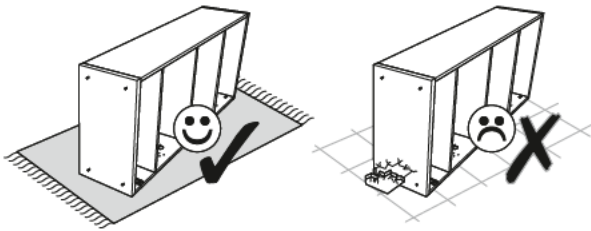
25▶

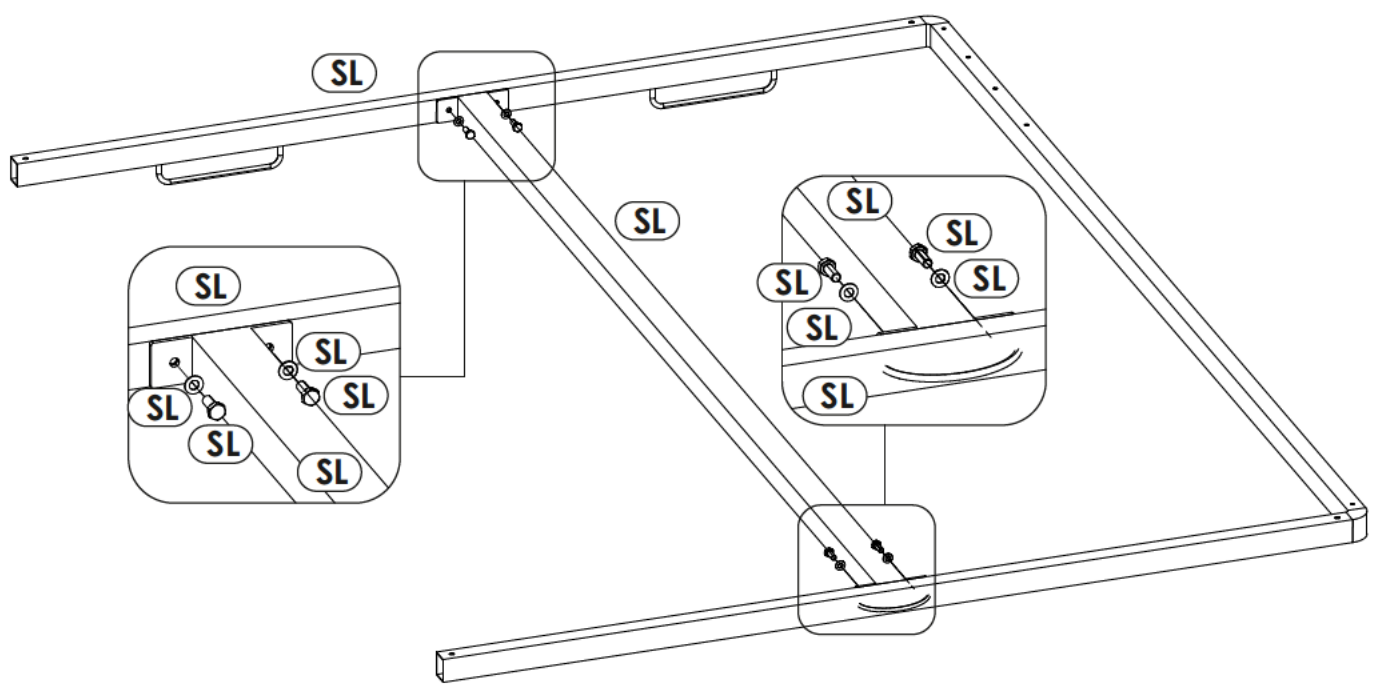
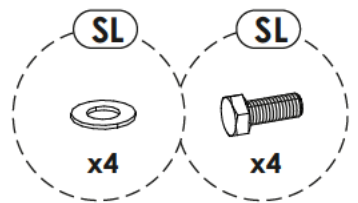
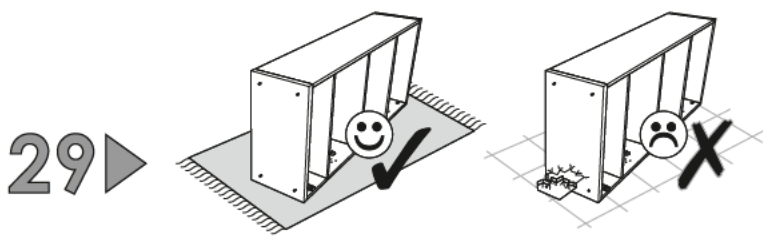
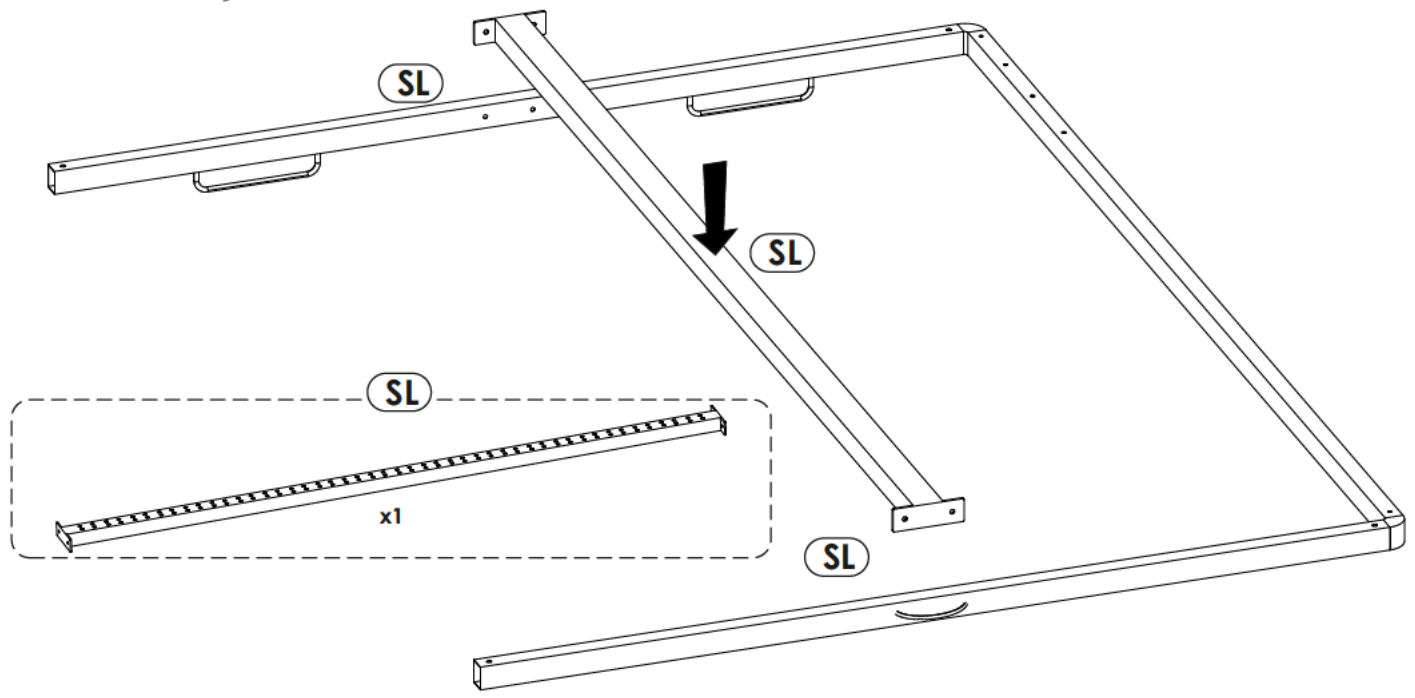
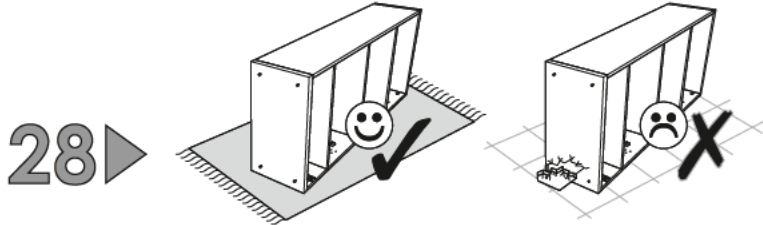


26 ▶

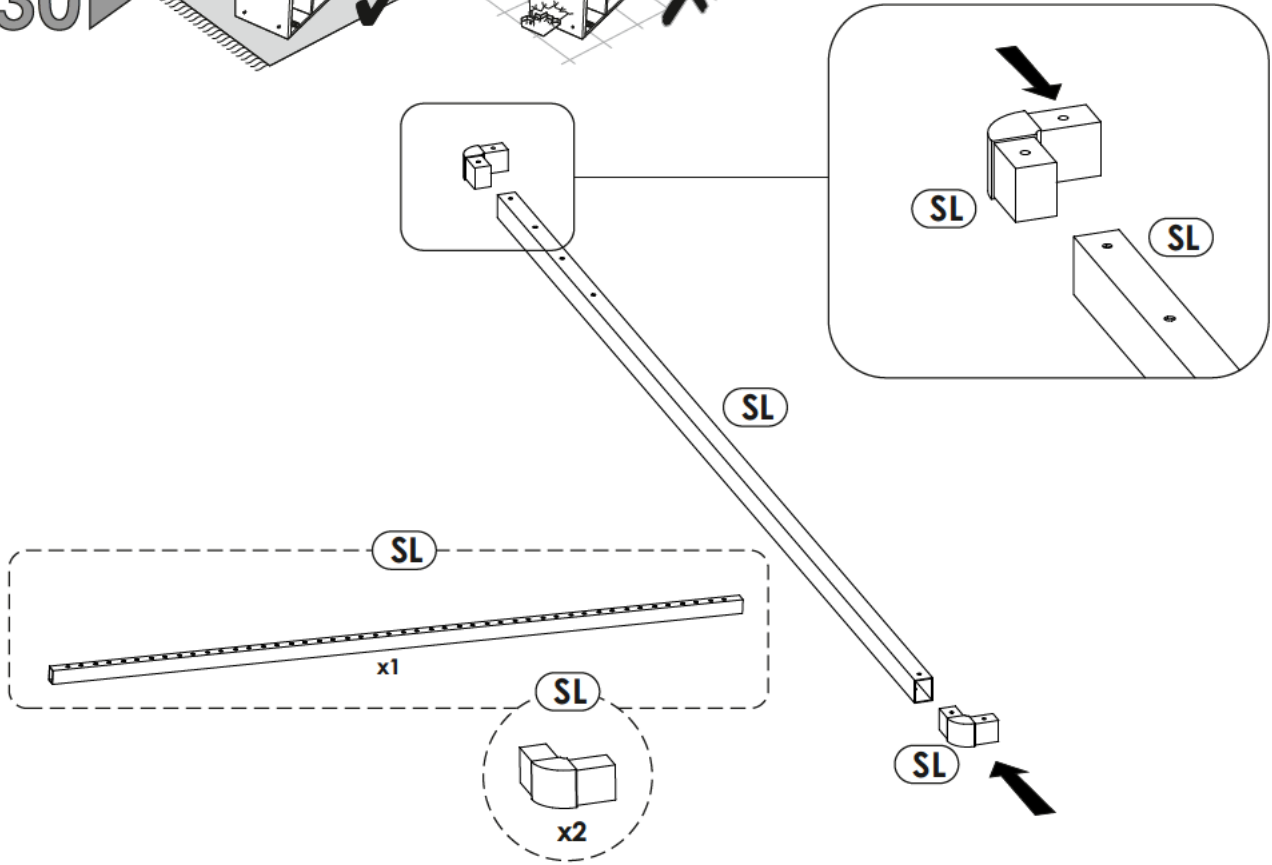
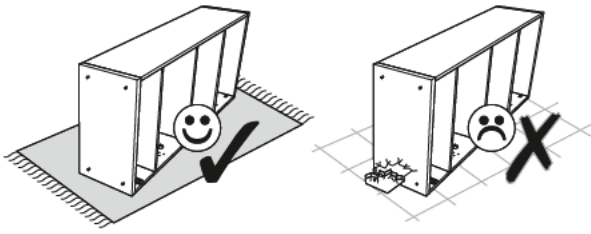


27 ▶

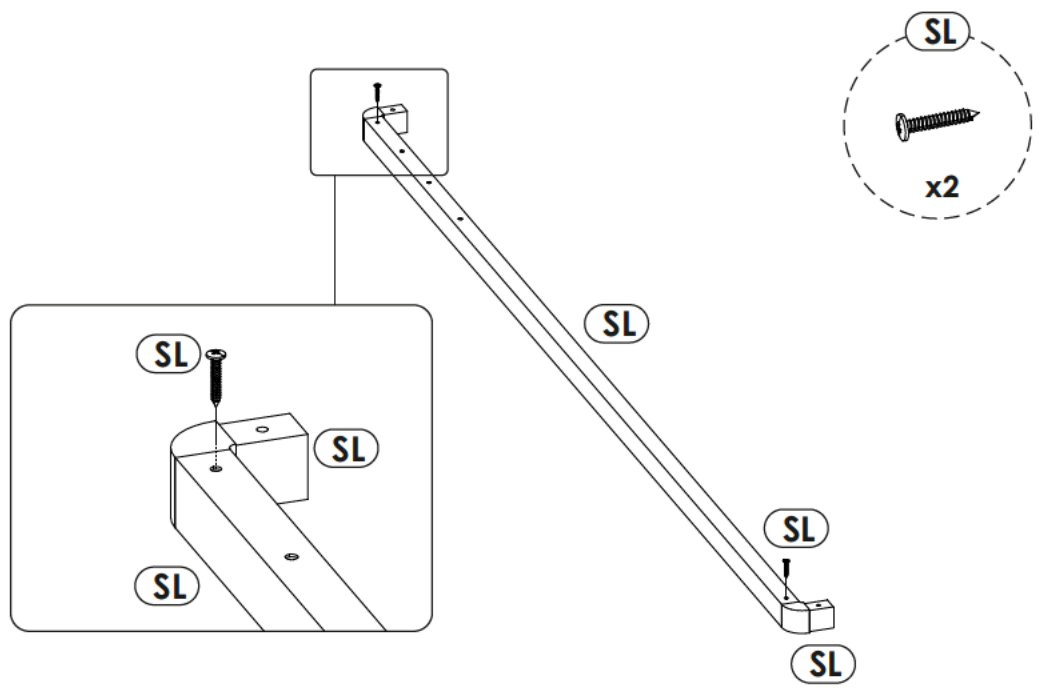
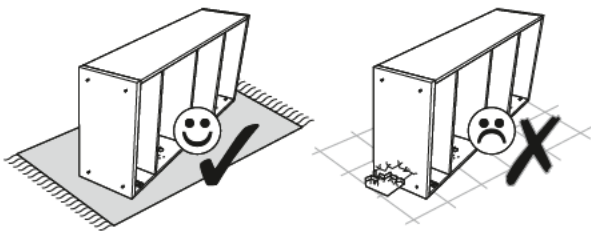




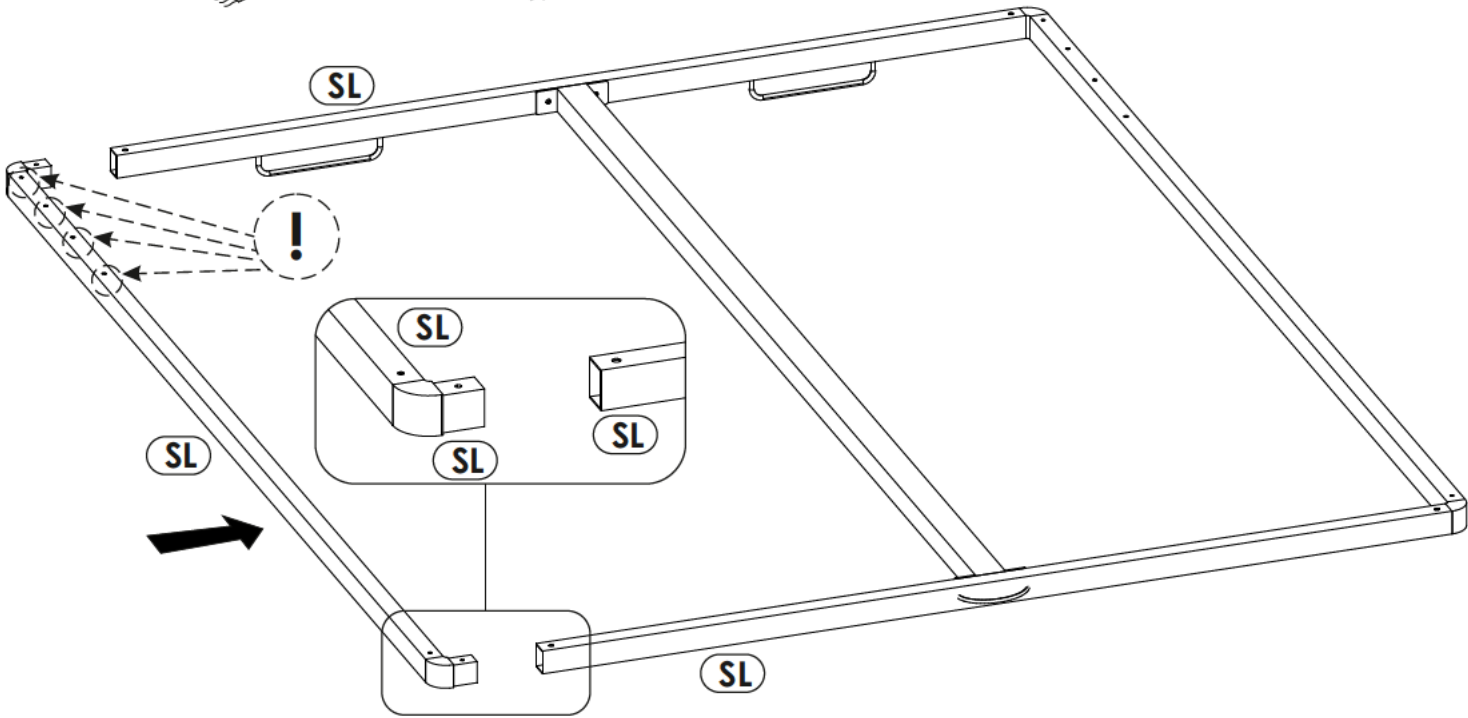
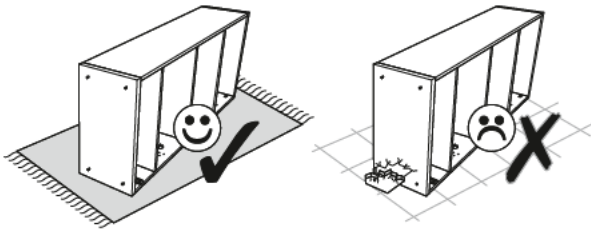
30 ▶



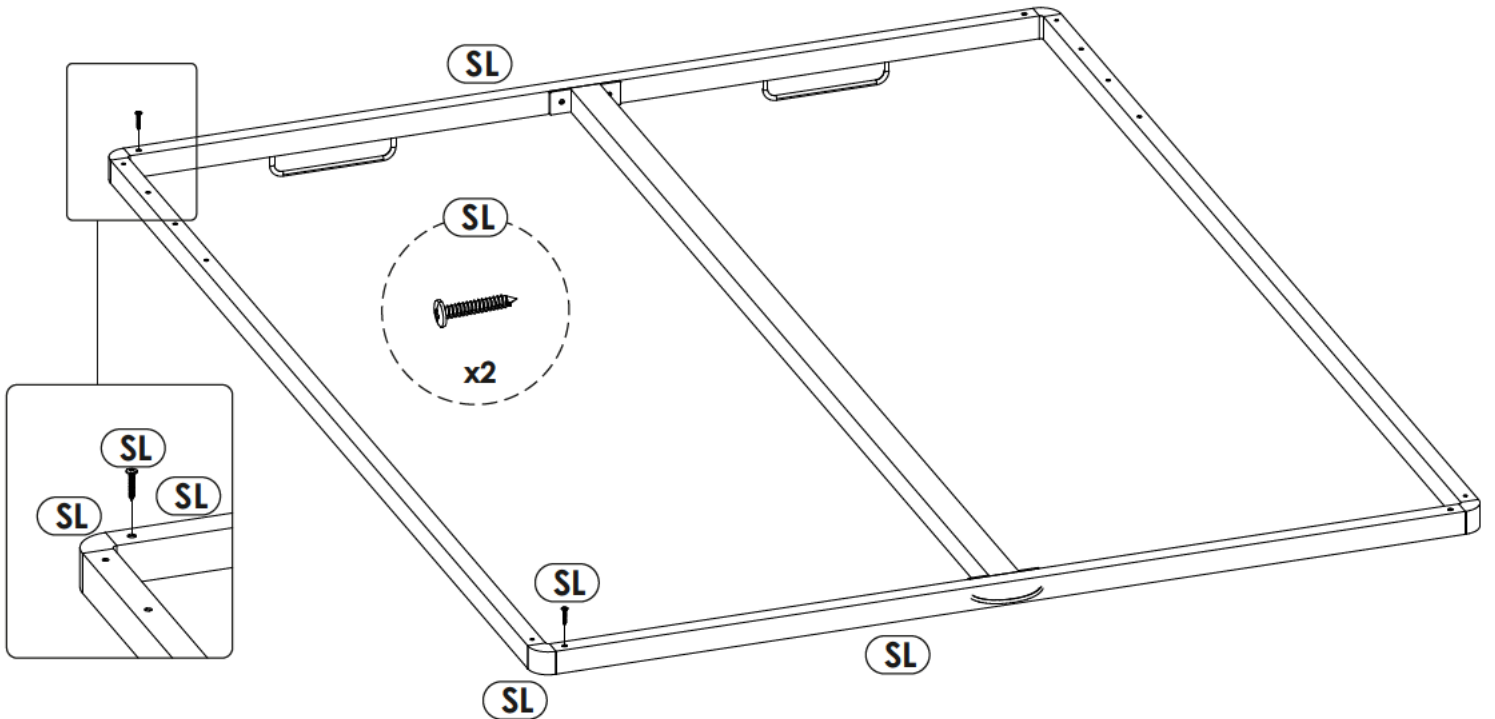
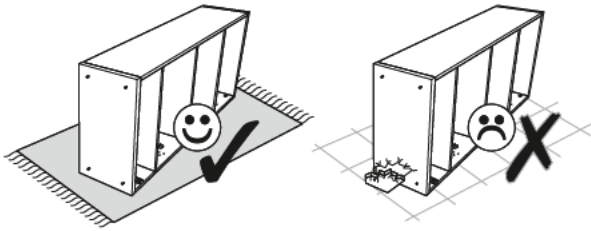
31 ▶



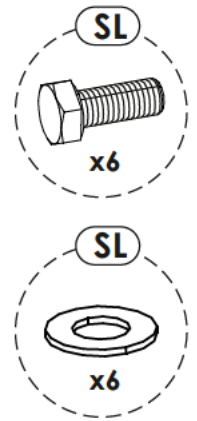
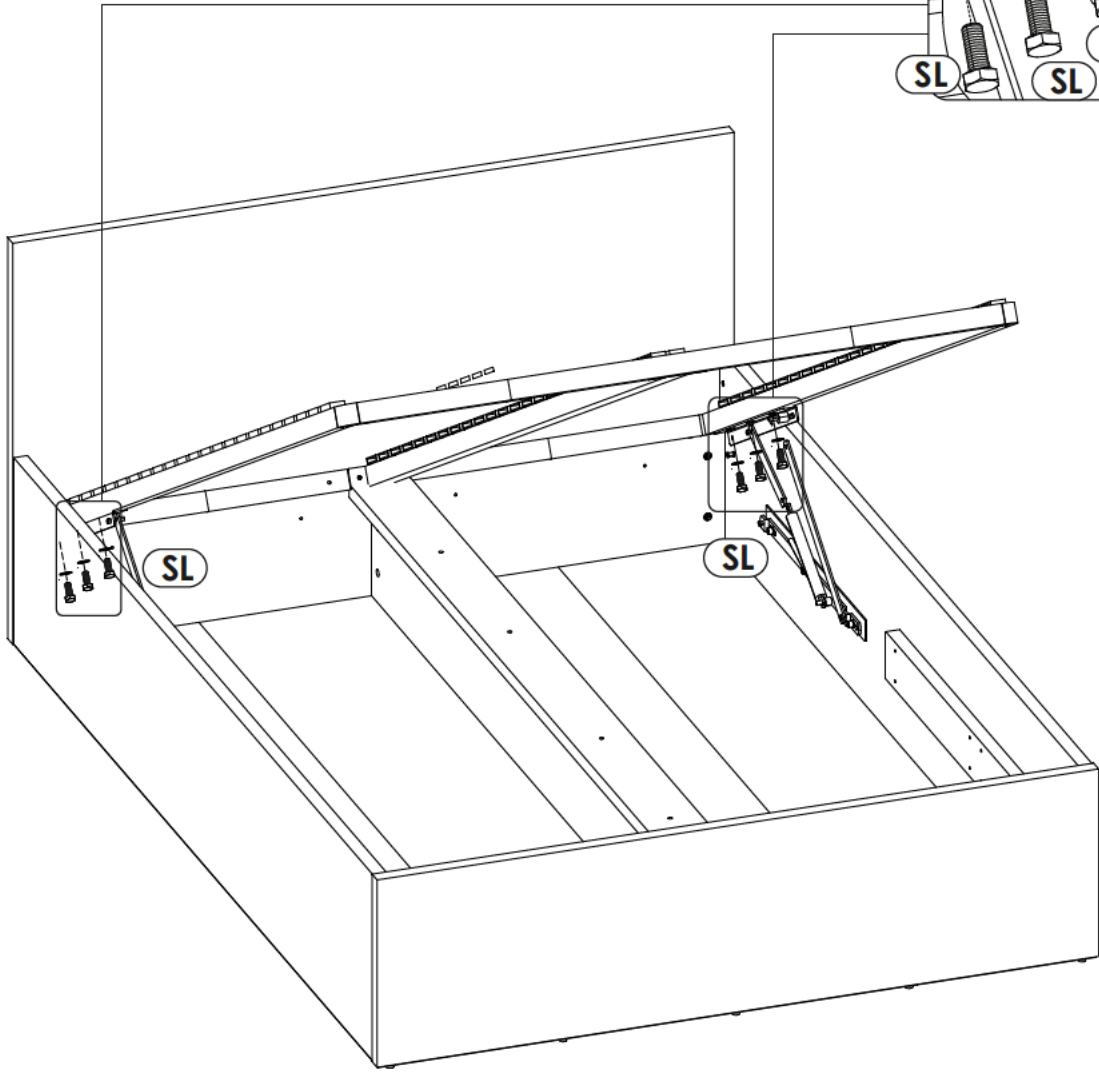
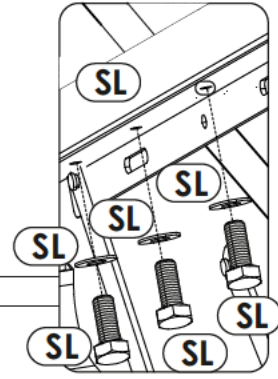
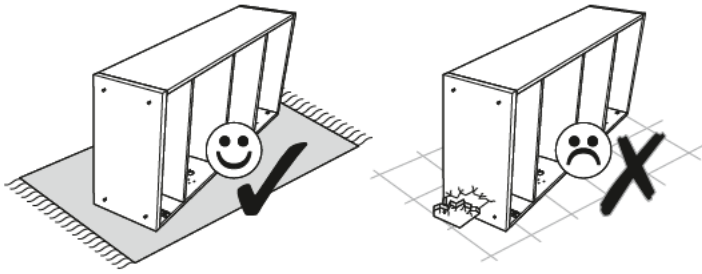
32▶



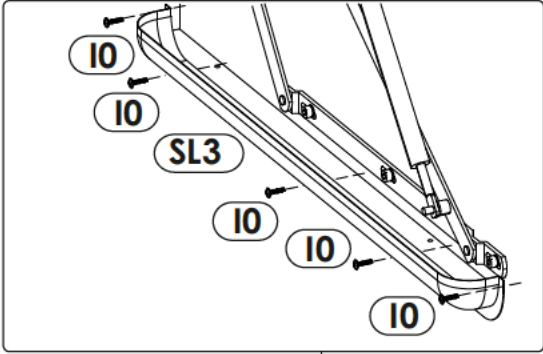
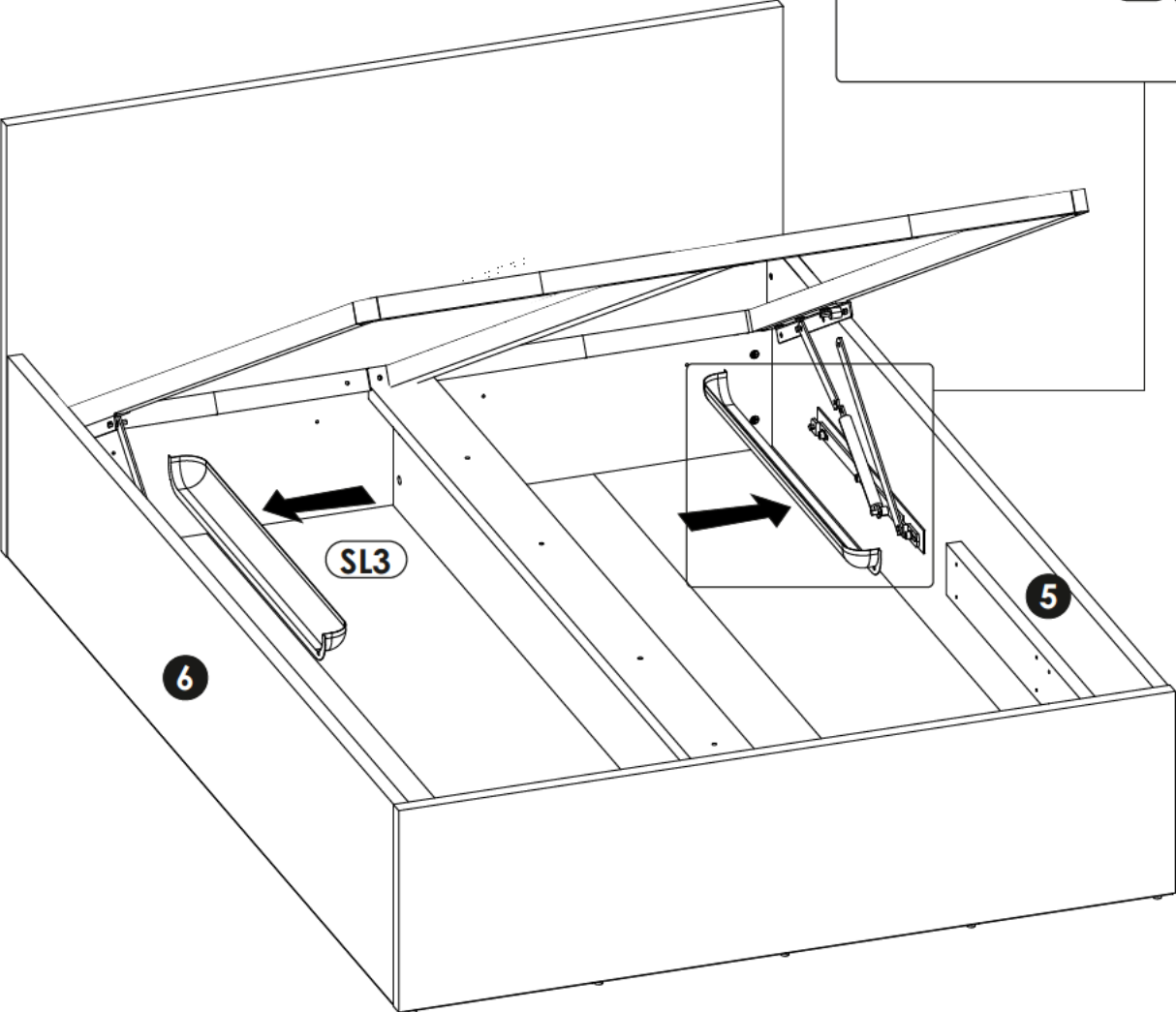
33▶

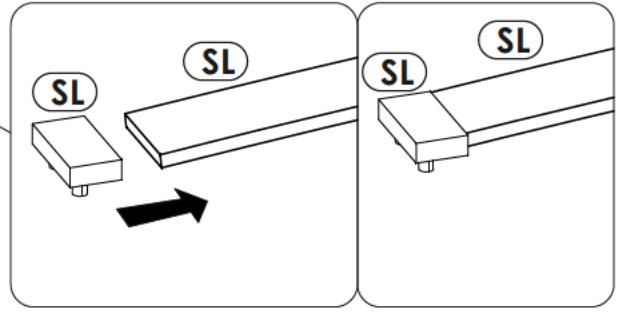
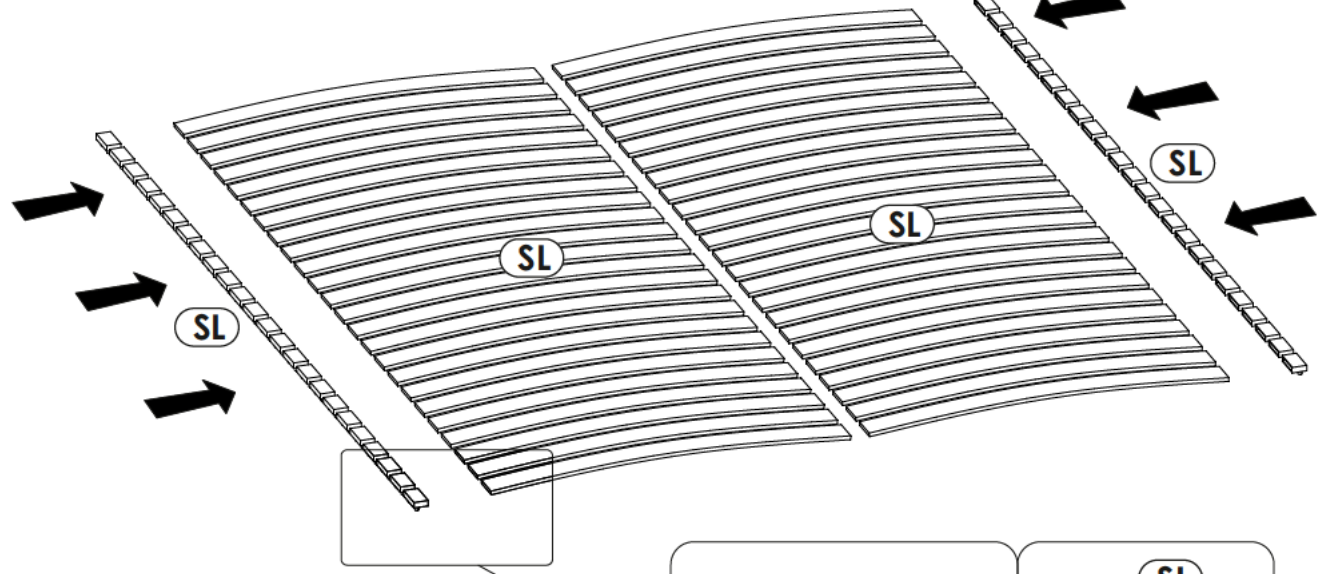
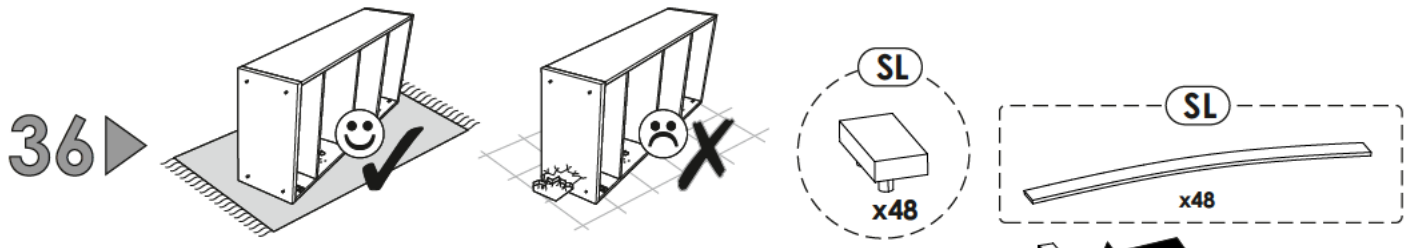


34▶

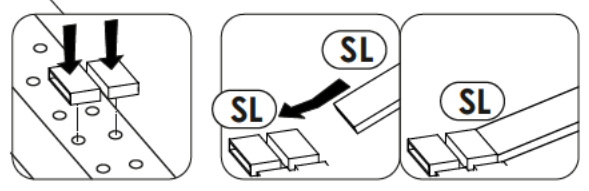
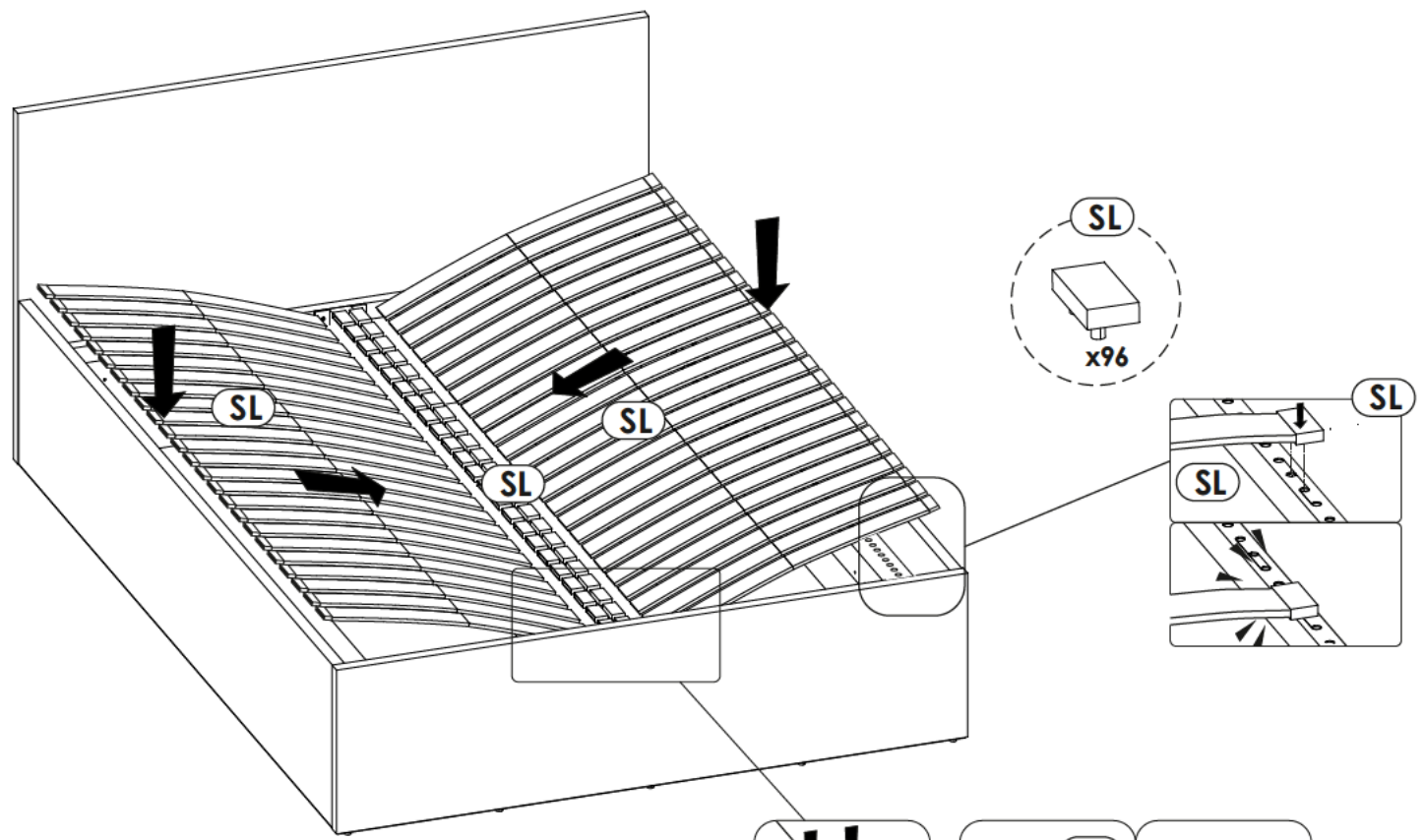


35▶

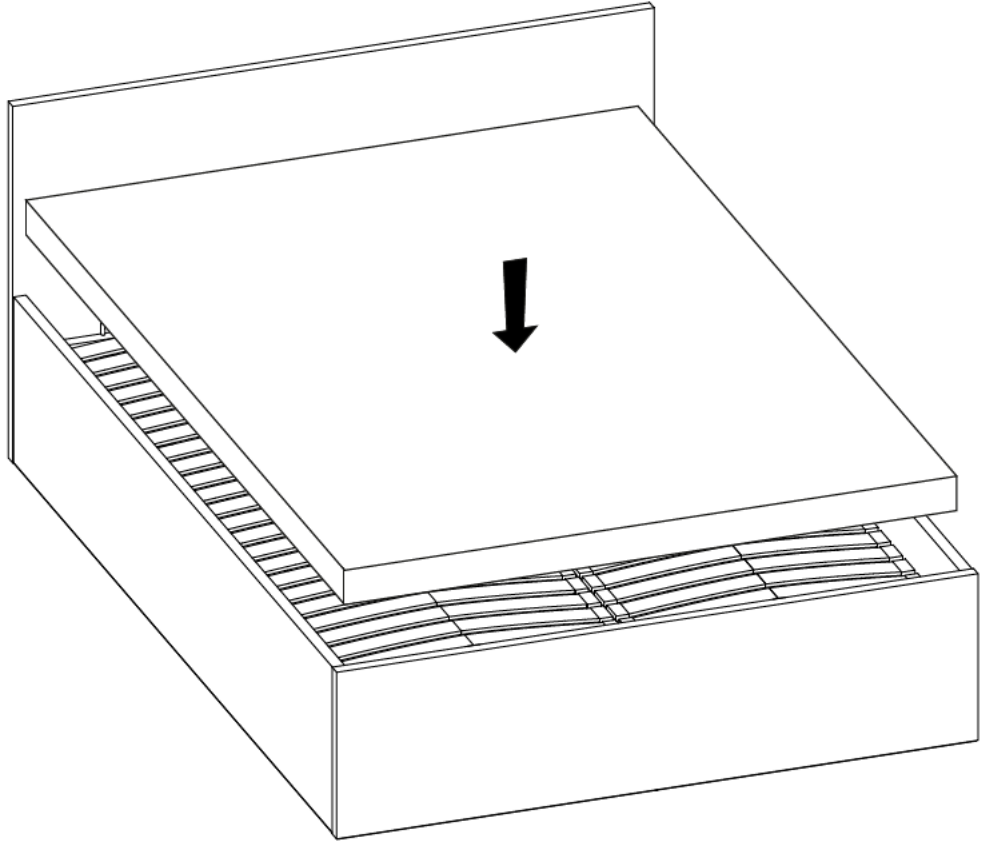




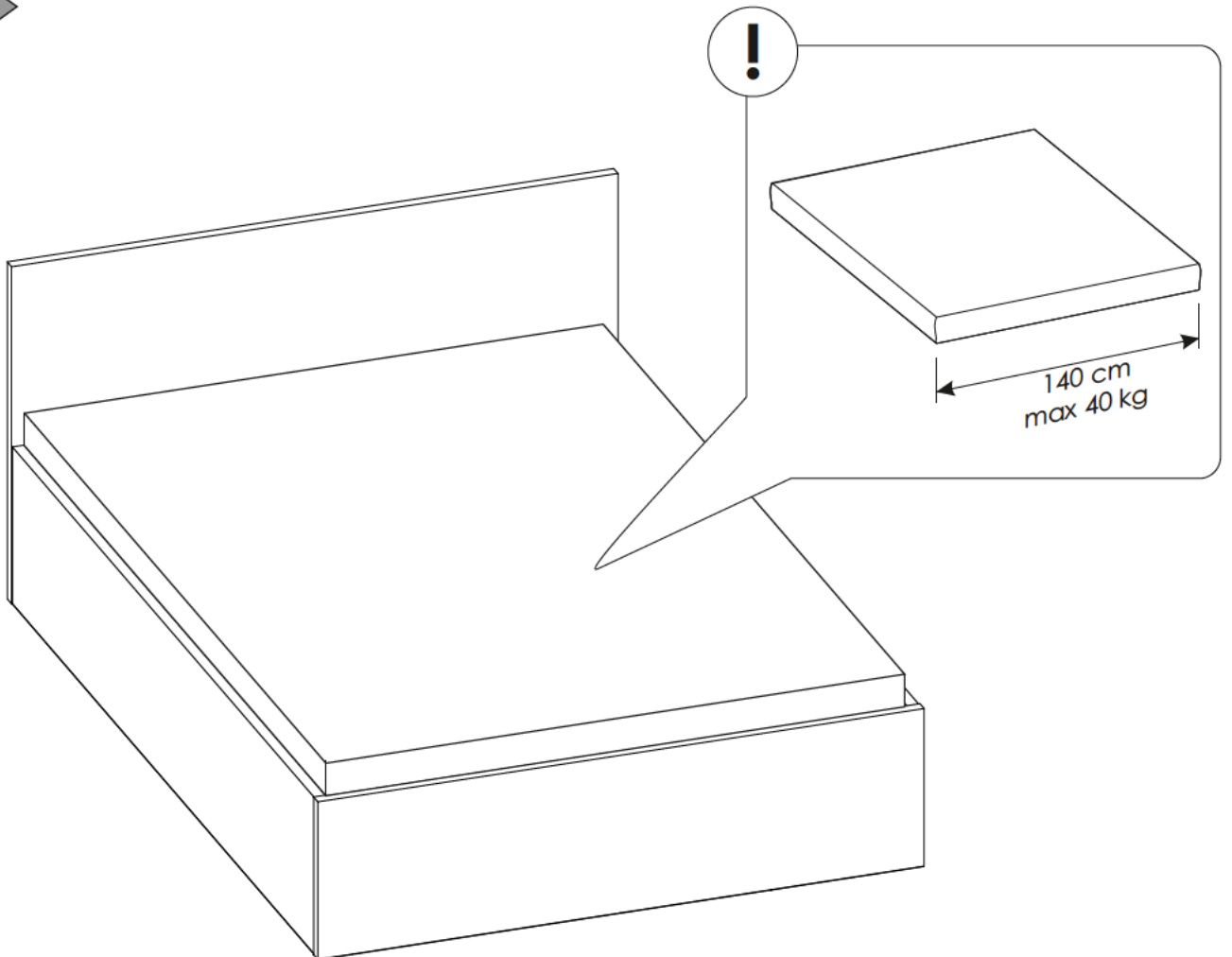
37 ▶

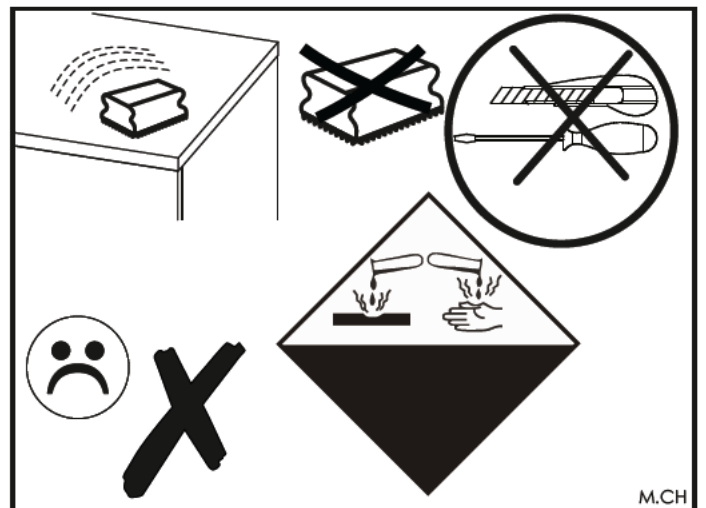
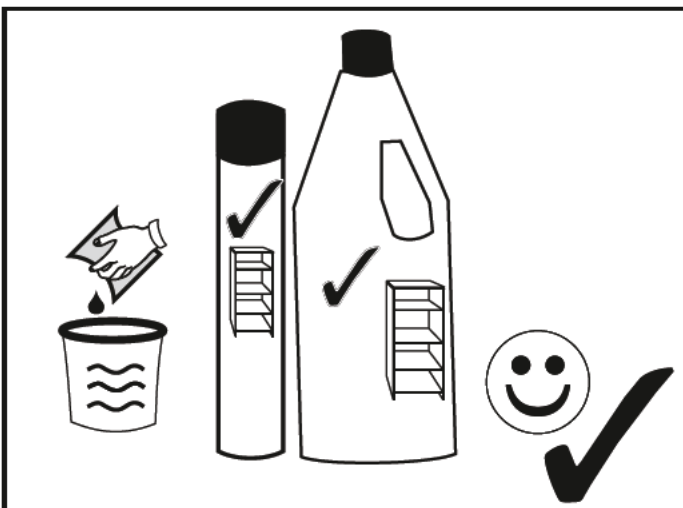
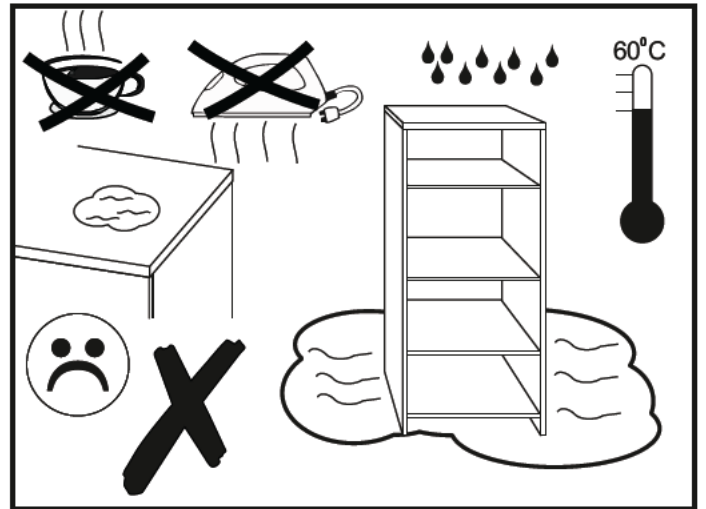
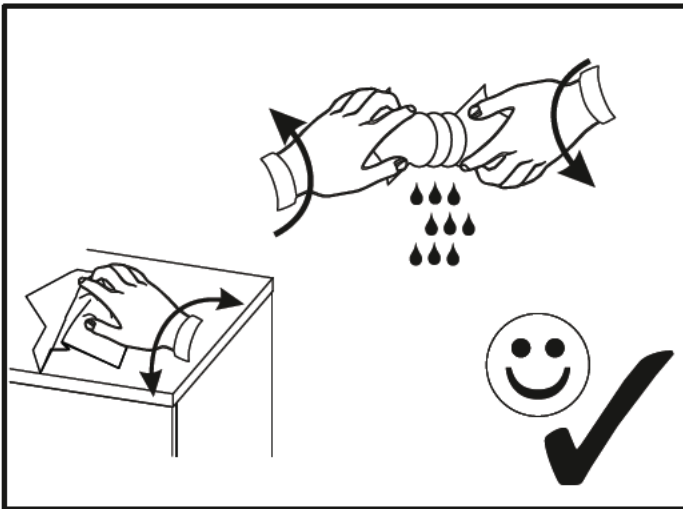
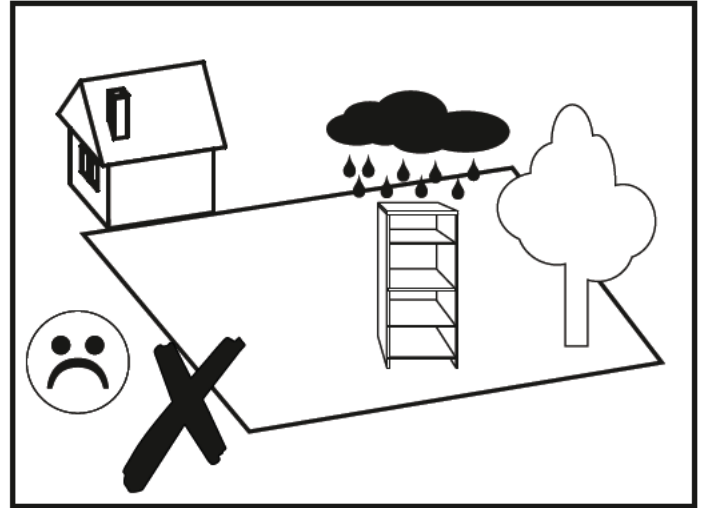
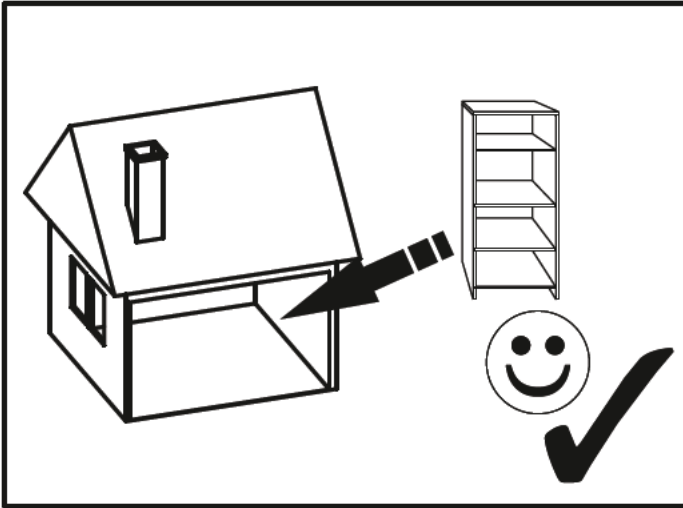


38 ▶



39 ▶





M.CH