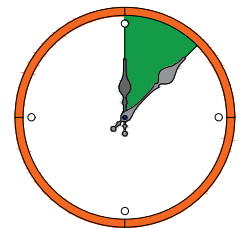
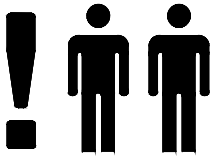
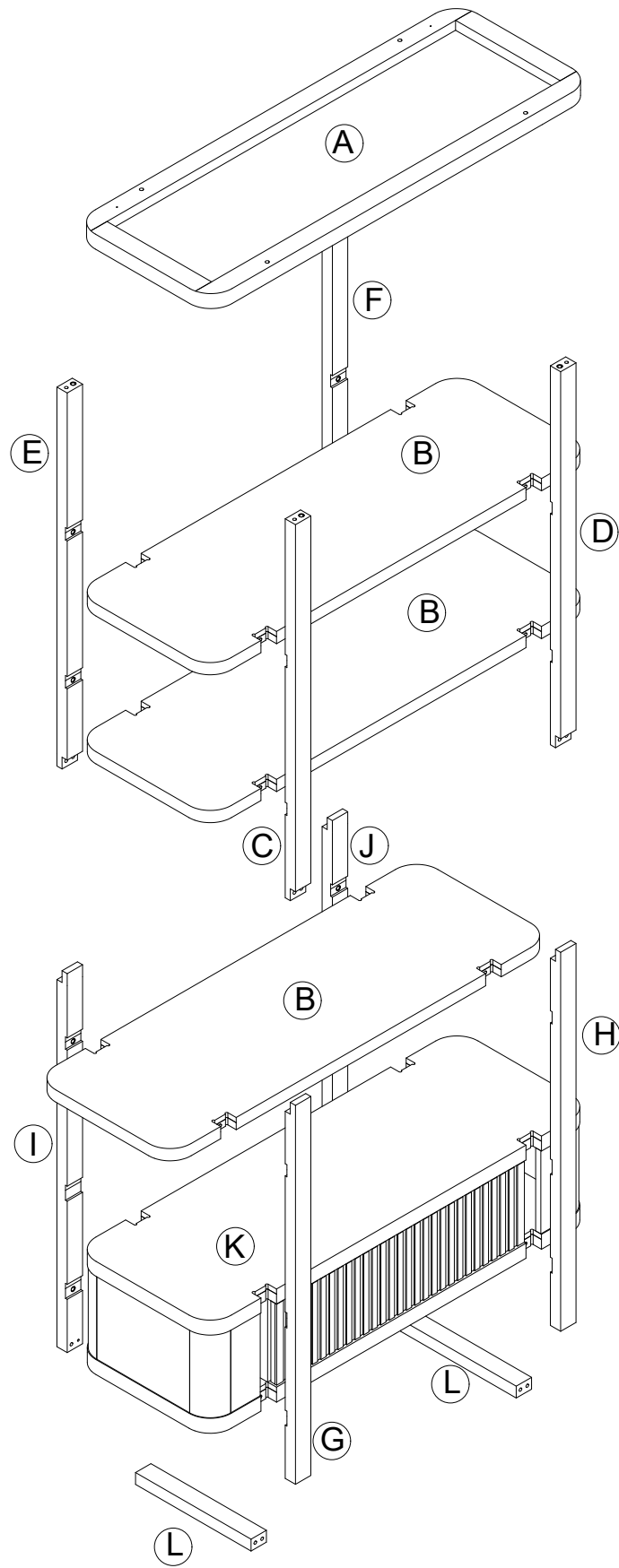


OWNER MANUAL

Thank you for purchasing the Bookcase .

Please read the instructions and warnings carefully before use, to ensure safe and satisfactory operation of this product. We are committed to making great products possible. From our in-house Design Team, to our Buyers, we work together to bring great designs to Our expert Product Technologists work collaboratively with our buyers and suppliers to assure the legality, safety and quality of the product we sell. We are all committed to designing and developing products to the highest industry standards. We hope you are happy with your product and welcome any feedback or comments you may have.

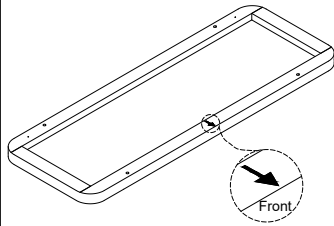
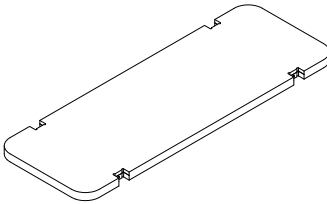








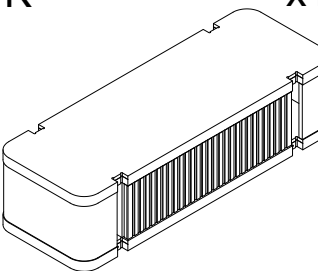
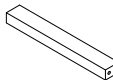
Exploded Diagram




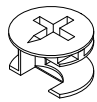






Around 35 min

Be sure to check all packing material carefully for small parts, which may have come loose inside the carton during shipment.

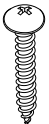
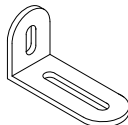
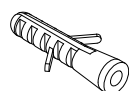
PARTS LIST

<p>A x1</p>  <p>Top panel</p>	<p>B x3</p>  <p>Fixed shelf panel</p>	<p>C x1</p>  <p>Upper left front post</p>	<p>D x1</p>  <p>Upper right front post</p>
<p>E x1</p>  <p>Upper left back post</p>	<p>F x1</p>  <p>Upper right back post</p>	<p>G x1</p>  <p>Below left front post</p>	<p>H x1</p>  <p>Below right front post</p>
<p>I x1</p>  <p>Below left back post</p>	<p>J x1</p>  <p>Below right back post</p>	<p>K x1</p>  <p>Bottom box</p>	<p>L x2</p>  <p>Bottom crossbar</p>

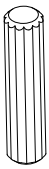
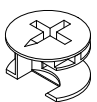

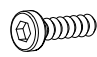
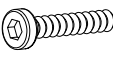
HARDWARE LIST

<p>1 x8</p>  <p>Wood dowel Ø8x30mm</p>	<p>2 x4</p>  <p>Cam lock</p>	<p>3 x4</p>  <p>Cam bolt</p>	<p>4 x8</p>  <p>Bolt Ø1/4x23mm</p>
<p>5 x16</p>  <p>Bolt Ø1/4x38mm</p>	<p>6 x4</p>  <p>Bolt Ø1/4x50mm</p>	<p>7 x1</p>  <p>Wrench 4mm</p>	<p>8 x2</p>  <p>Round head screw Ø3.5x16mm</p>

HARDWARE LIST

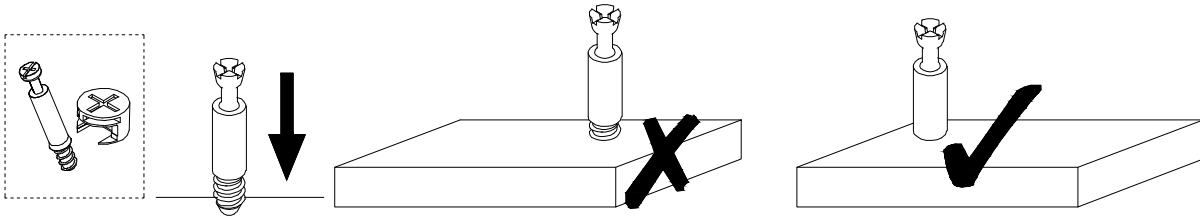
9	x2	10	x2	11	x2
					
Round head screw Ø4x38mm		Anti tipping hardware		Anchor	

SPARE LIST

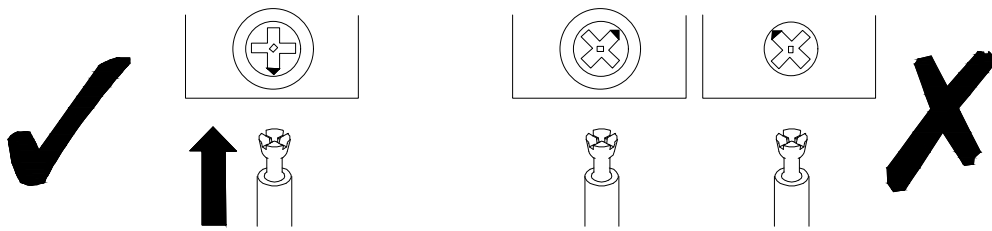
1	x1	2	x1	3	x1	4	x1	
								
Wood dowel Ø8x30mm		Cam lock		Cam bolt		Bolt Ø1/4x23mm		
5	x1							
								
Bolt Ø1/4x38mm								

Before your installation, please make sure that you have all the parts listed on the manual. If you find something missing, stop installing and contact your supplier immediately.

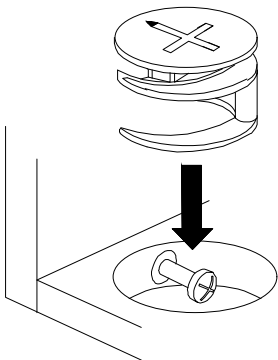
IF HAVE THIS ACCESSORY



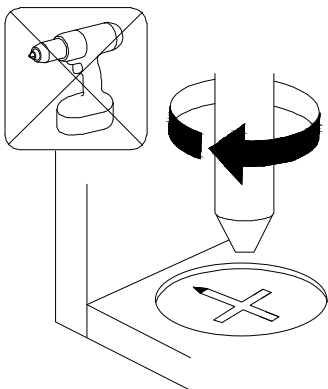
QUICKFIT: Tighten quickfit until shoulder is flush with panel. Do not overtighten or undertighten. ③



CAM LOCK: When fitting cam lock, ensure starting position is correct before you insert connecting quickfit.




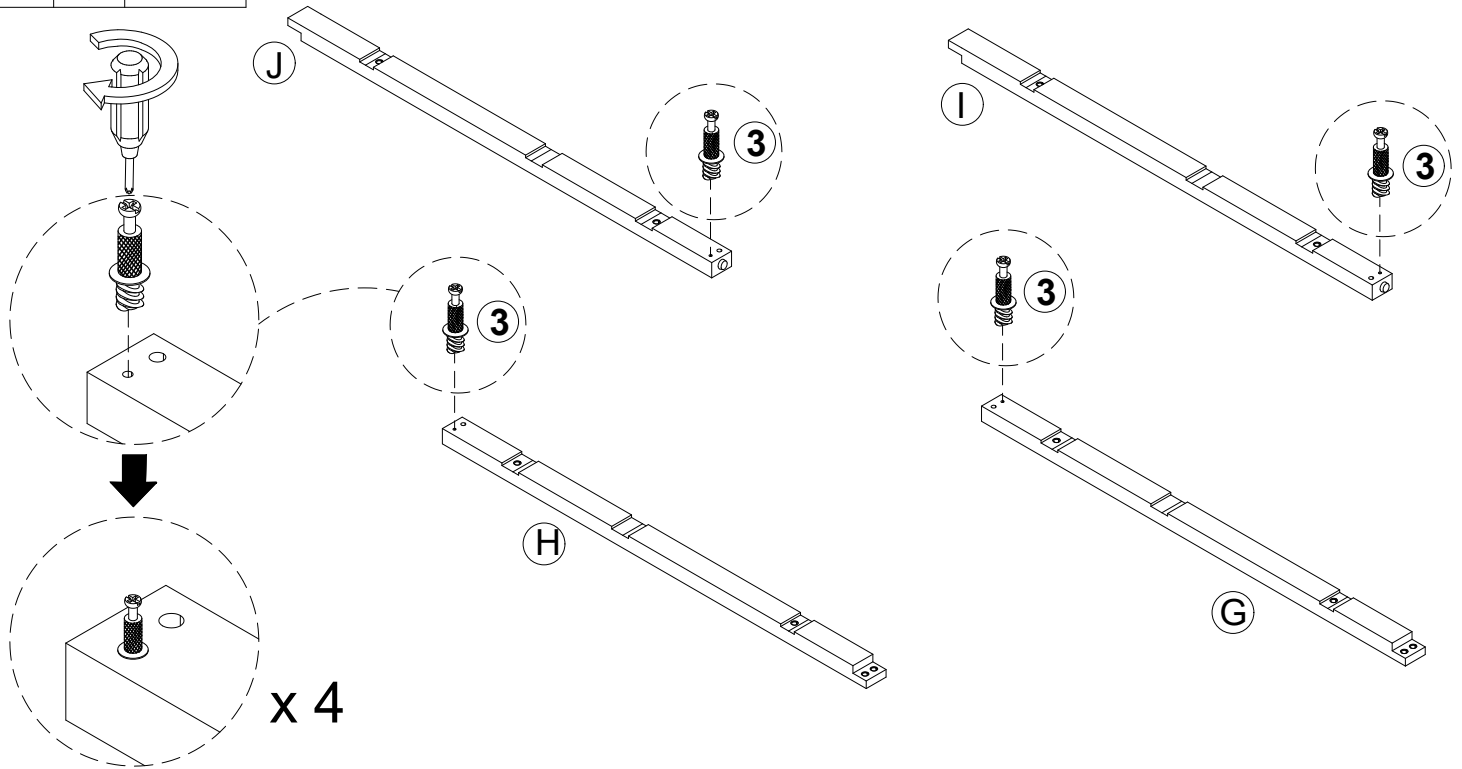
Quickfit head should be in the centre of the cam lock when the two panels are joined.



Turn cam lock clockwise to tighten.



STEP 1

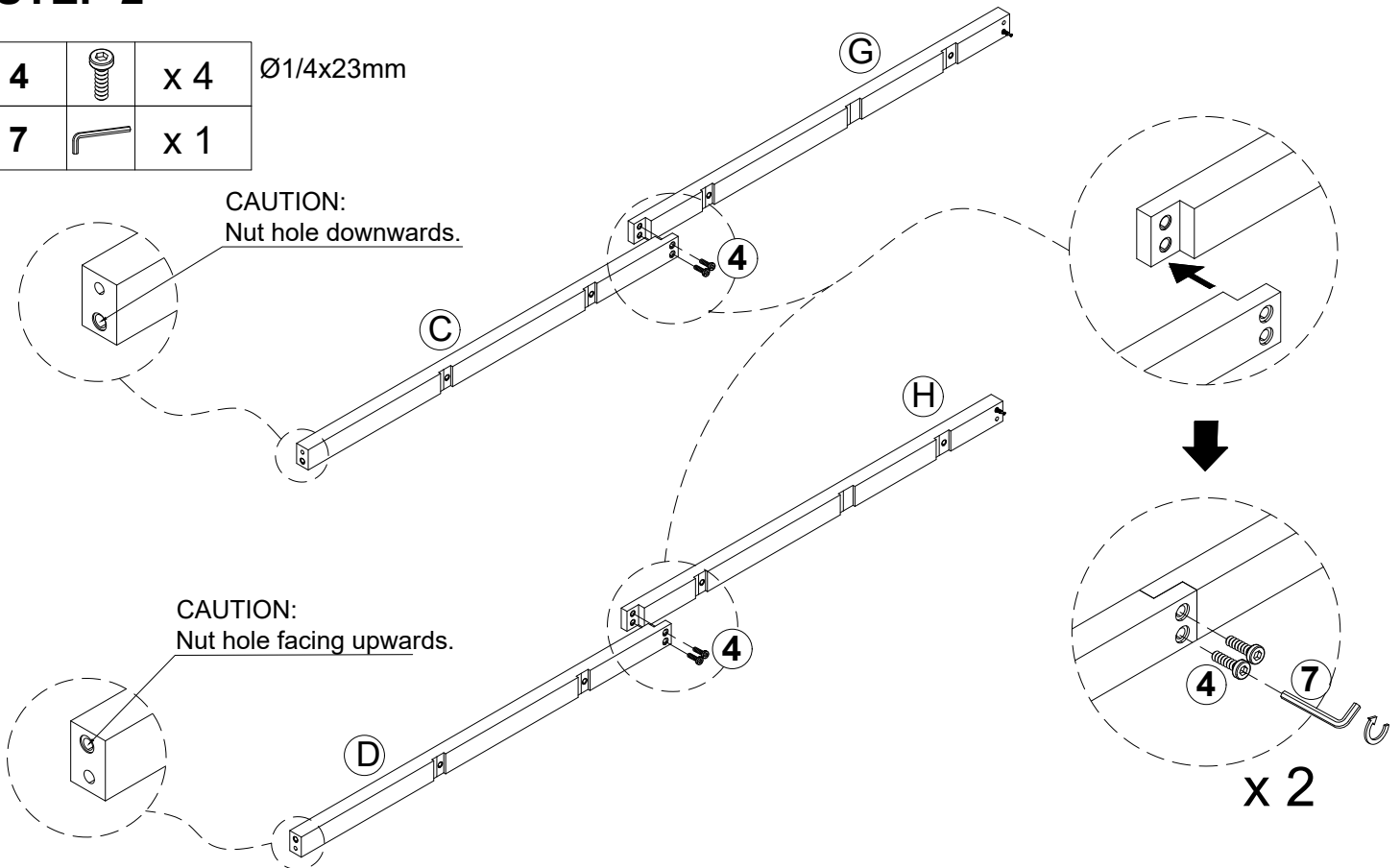
3		x 4
---	---	-----



Insert the cam bolts (3) into the post (G & H & I & J) and tighten it with a screwdriver (not included) as shown.


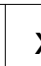
STEP 2

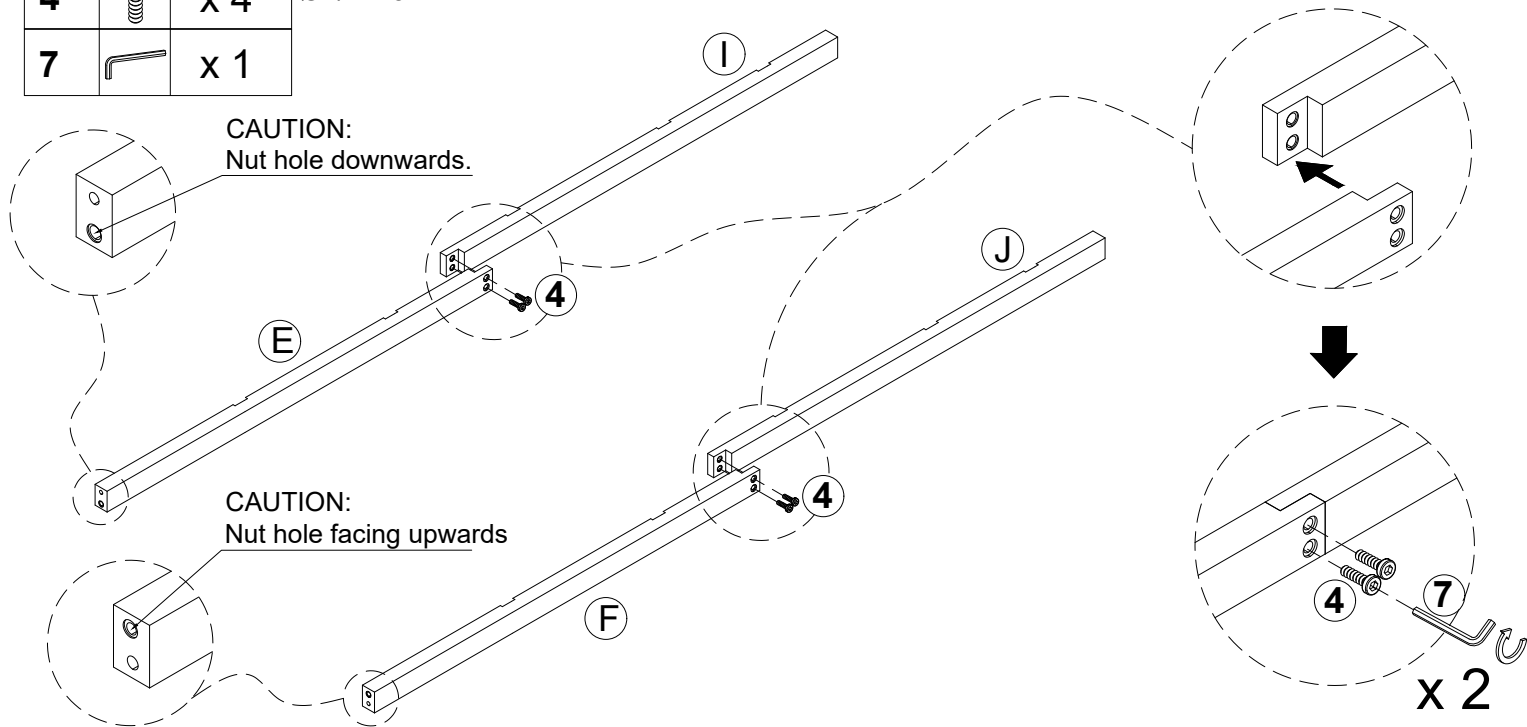
4		x 4	Ø1/4x23mm
7		x 1	



Bolt 4 through post (C&D) to connect with post (G & H), and is then tightened with a wrench as shown.


STEP 3

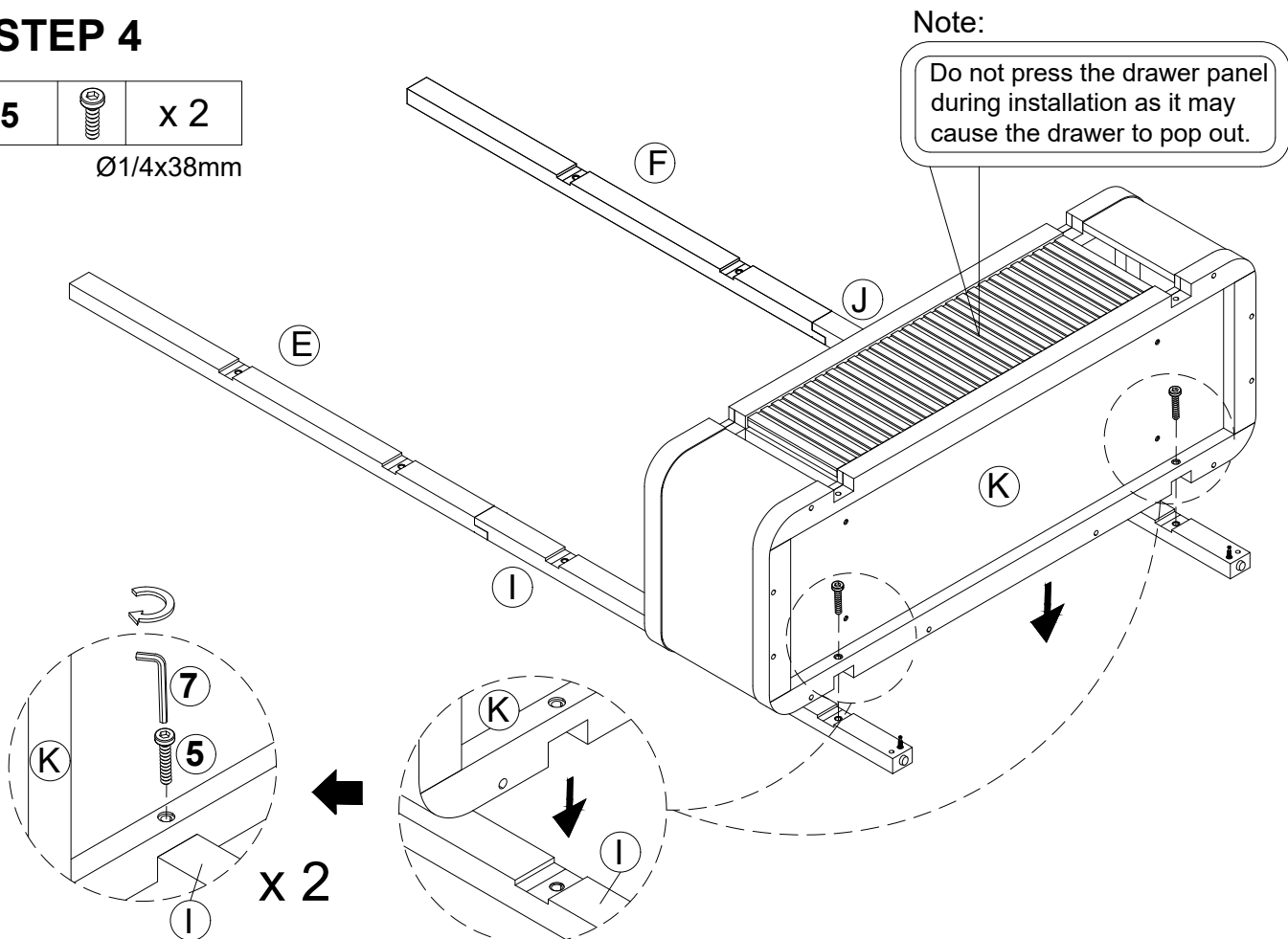
4		x 4	Ø1/4x23mm
7		x 1	



Bolt 4 through post (E&F) to connect with post (I & J), and is then tightened with a wrench as shown.


STEP 4

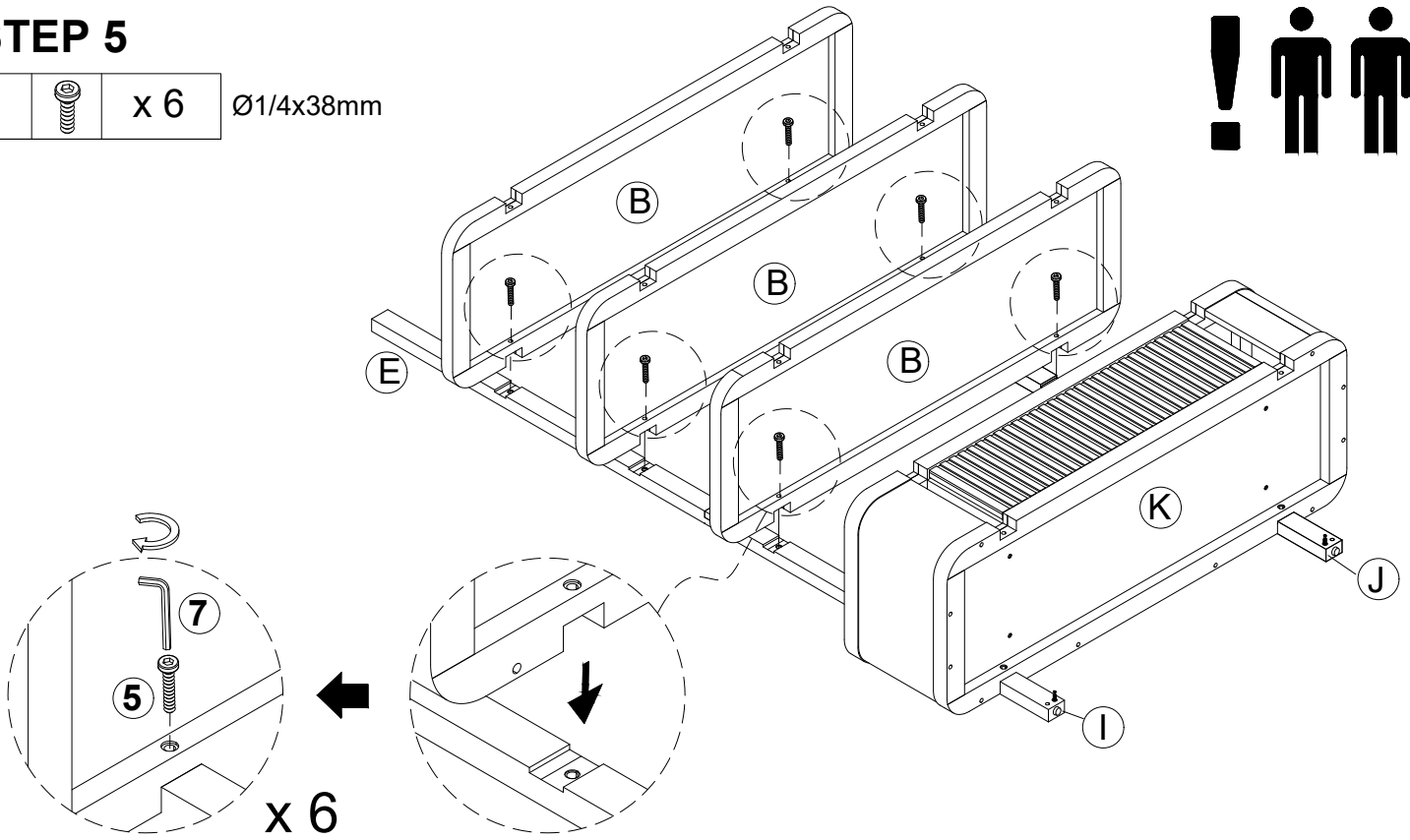
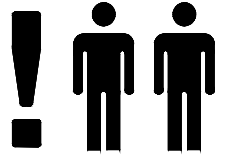
5		x 2	Ø1/4x38mm
---	---	-----	-----------



Insert the notch on the back of the bottom box (K) into the slot of the post (I&J) and align it with the hole. Use bolt (5) to tighten the hole through the bottom box (5) and the post (I&J) with a wrench (7) as shown.



STEP 5

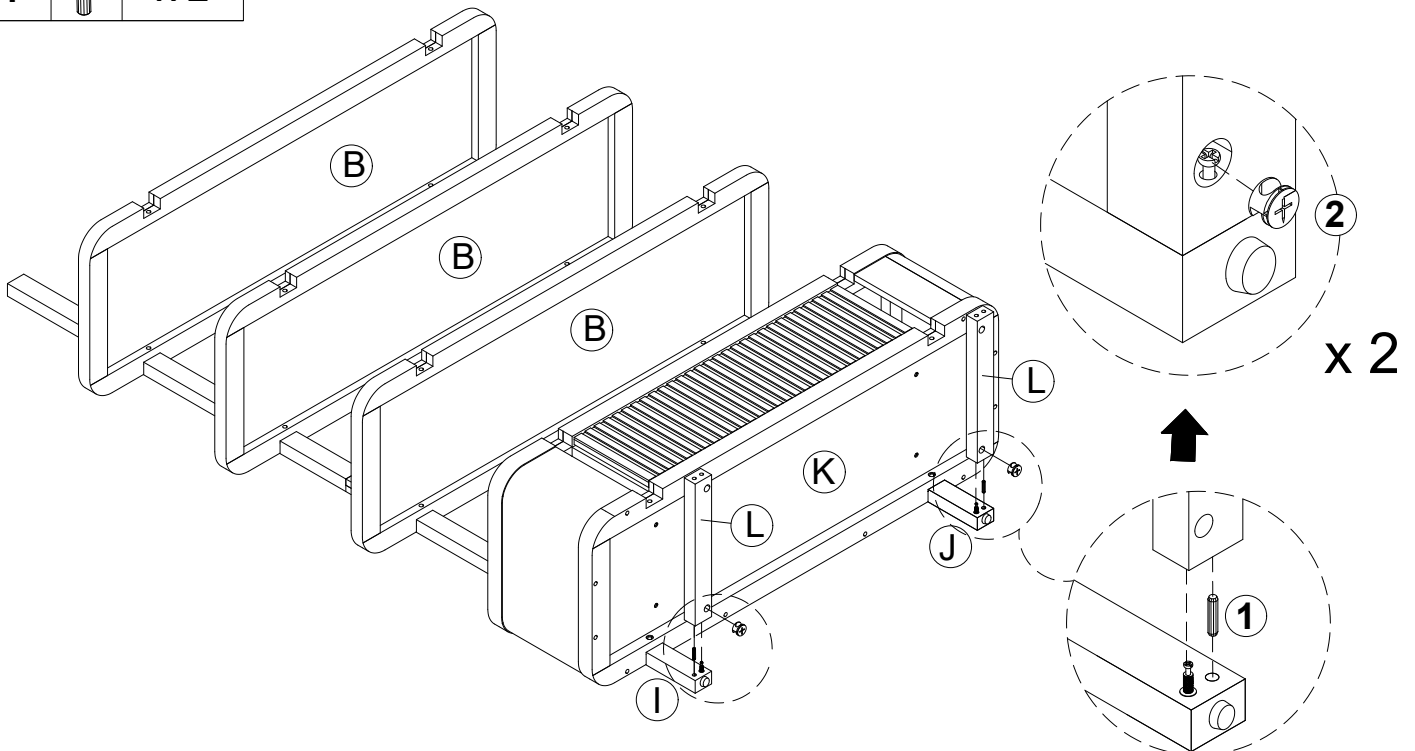
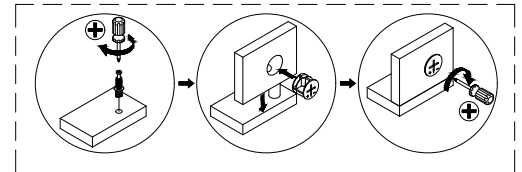
5		x 6	Ø1/4x38mm
---	---	-----	-----------



Insert the notch on shelf (B) into the slots of the post(I&J&E&F) in sequence, and align the holes on the shelf with the holes on the post (I&J&E&F) using bolt (5). Use wrench (7) to tighten as shown .




STEP 6

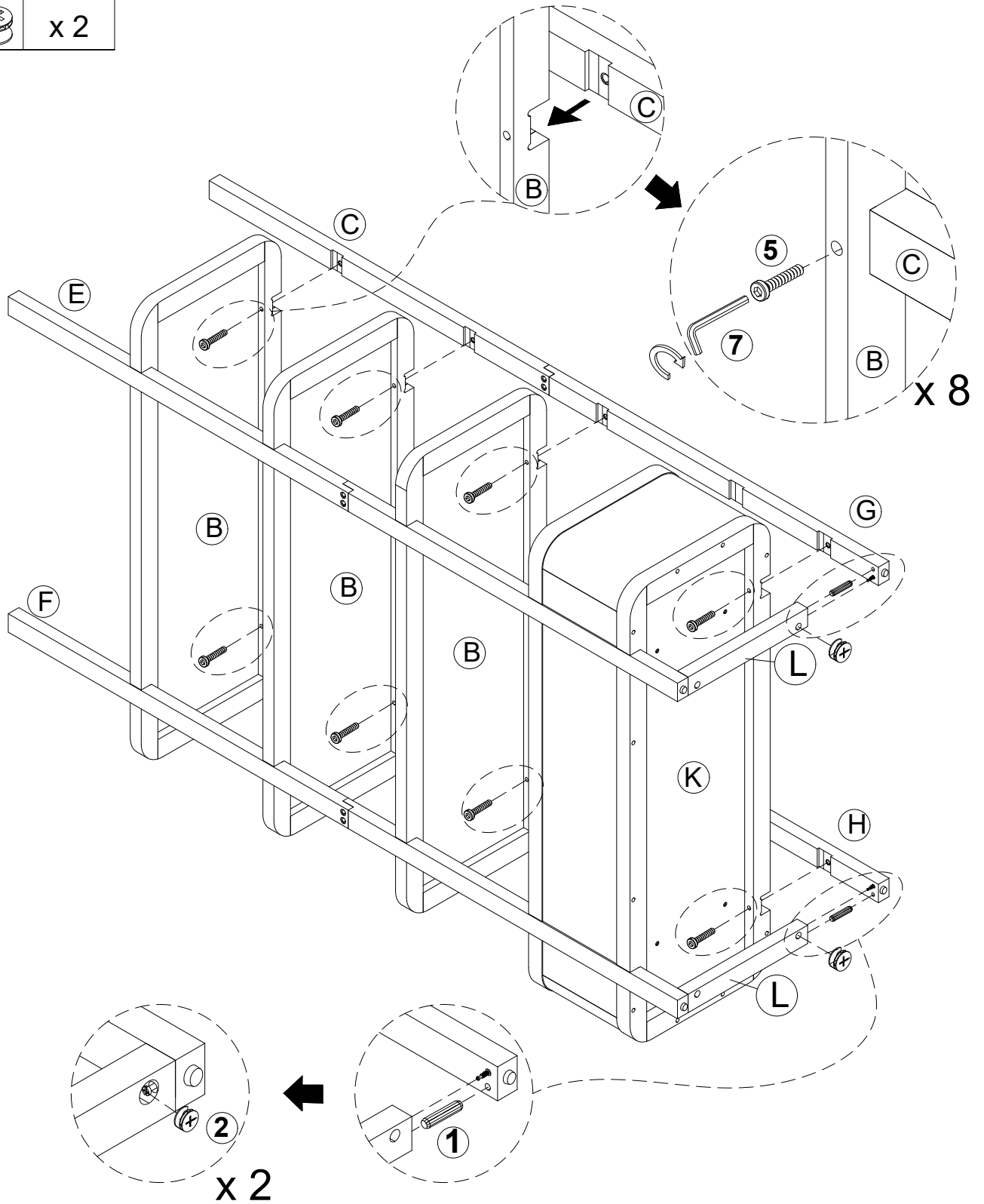
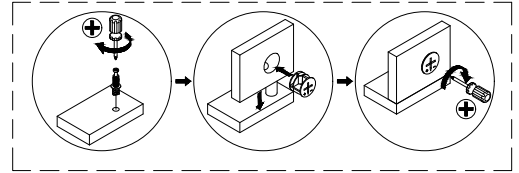
2		x 2
1		x 2



Insert the wood dowel(1) into the hole of the bottom crossbar (L)and connect it to the post(I &J), then insert the cam lock (2) into the hole of the bottom crossbar (L) and tighten it with a screwdriver as shown .






STEP 7

5		x 8	Ø1/4x38mm
1		x 2	
2		x 2	



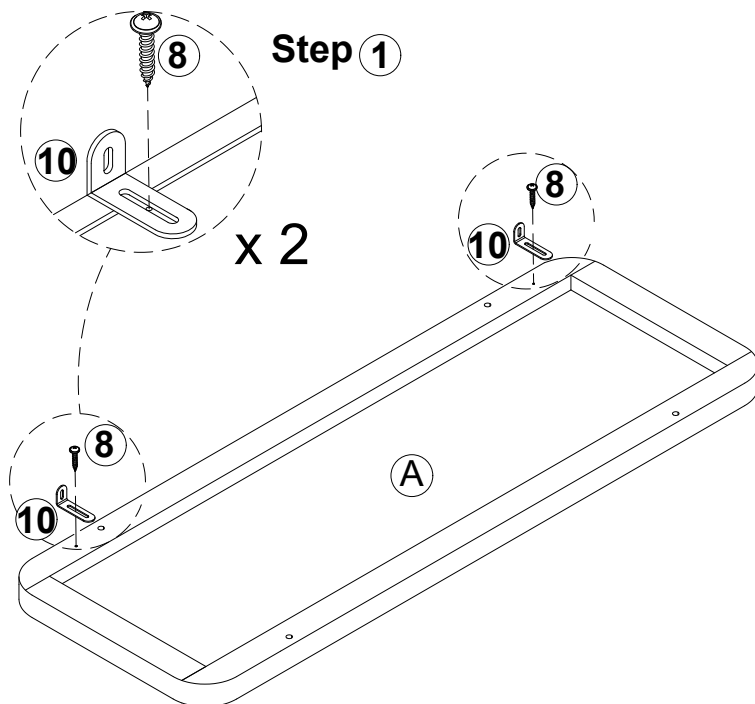
The notch of the post (C&D&G&H) into the notch of bottom box(K) and the fixed shelf panel(B), and the cam-bolts and dowel (1) on the post are inserted into the holes of the bottom crossbar(L). Then lock and tighten with bolts and cam locks as shown.

STEP 8

8		x 2
10		x 2
6		x 4
1		x 4
7		x 1

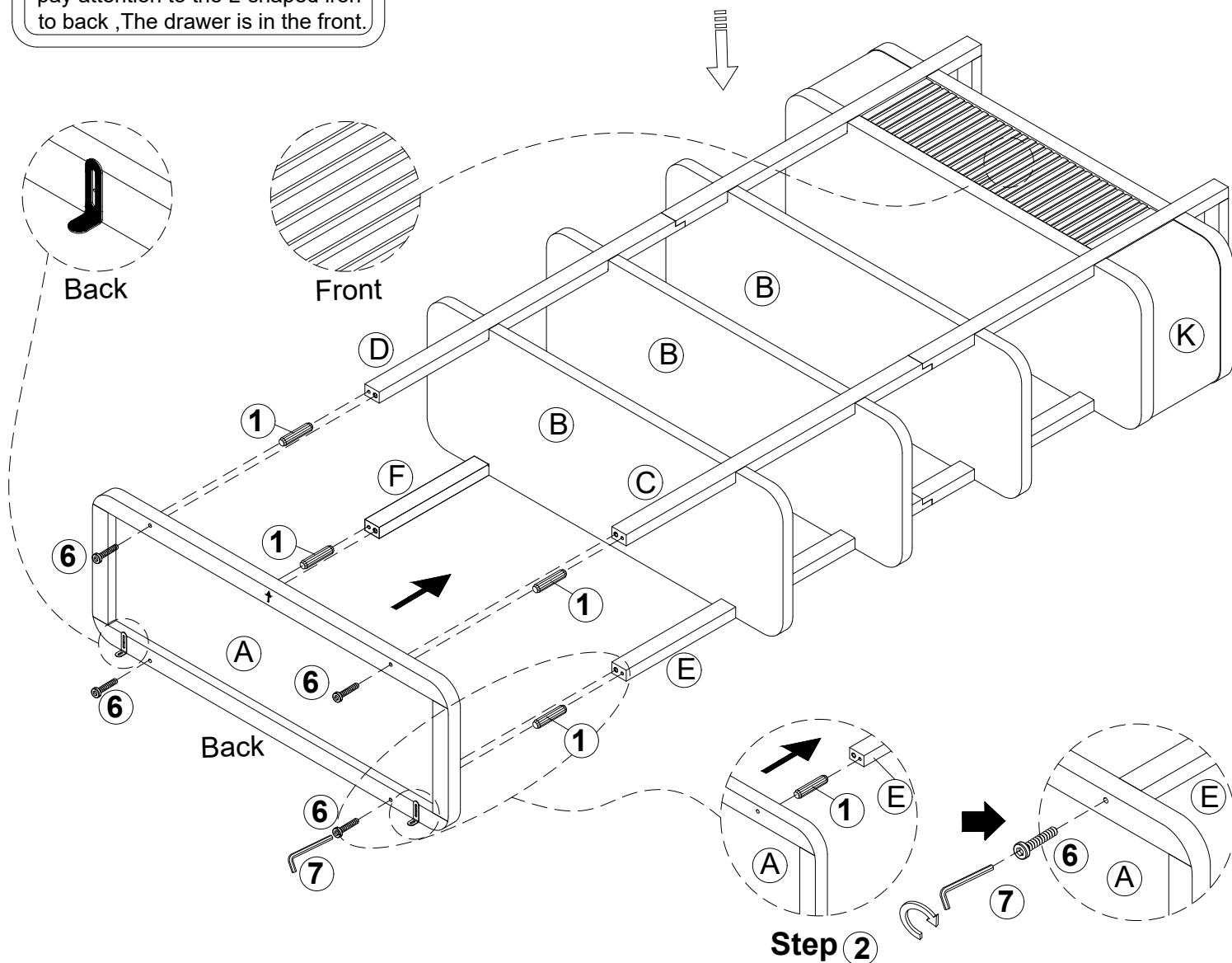
Round Head Screw
Ø3.5x16mm

Ø1/4x50mm



Note:



When assembling the top plate, pay attention to the L-shaped iron to back, The drawer is in the front.



1. Use screw (8) to fix anti tipping hardware (10) onto top panel(A) as shown .

2. Insert the wood dowel(1) into the hole at the top of the post and tighten it with bolt (6) as shown .

STEP 9

9		x 2	Round Head Screw Ø4x38mm
11		x 2	

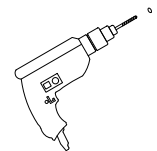
Step ①

WALL



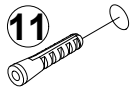
Step ②

WALL



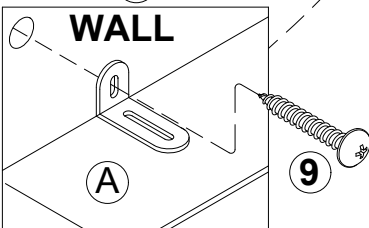
Step ③

WALL



Step ④

WALL

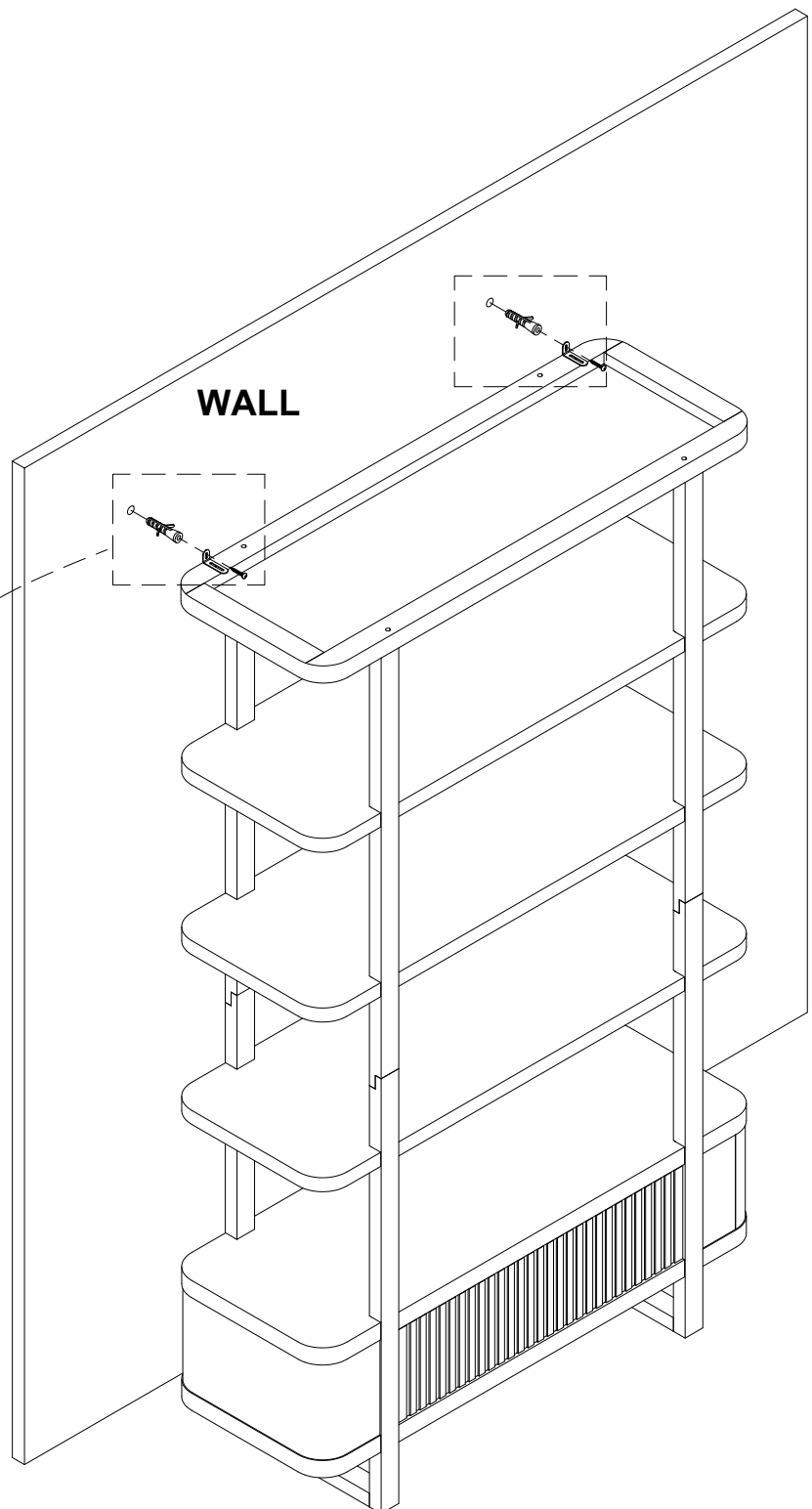


WARNING

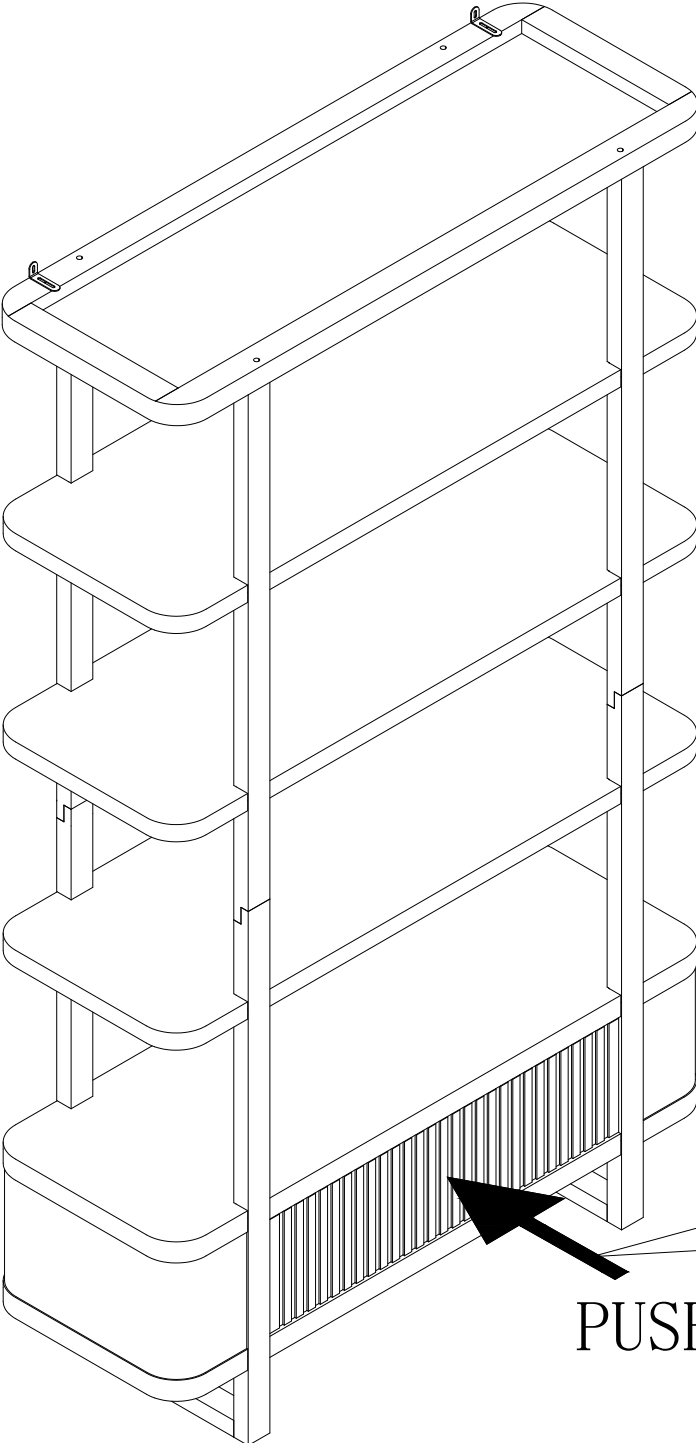
Serious or fatal crushing injuries can occur from furniture tipover. To prevent tipover:

To prevent tipover:

- * Install tipover restraint provided
 - * place heaviest items in the lowest drawers
 - * Unless specifically designed to accommodate, do not set TV or other heavy objects on the top of this product
 - * Never allow children to climb or hang on drawers, door, or shelves.
- Use of tipover restraints may only reduce, but not eliminate the risk of tipover**



STEP 10

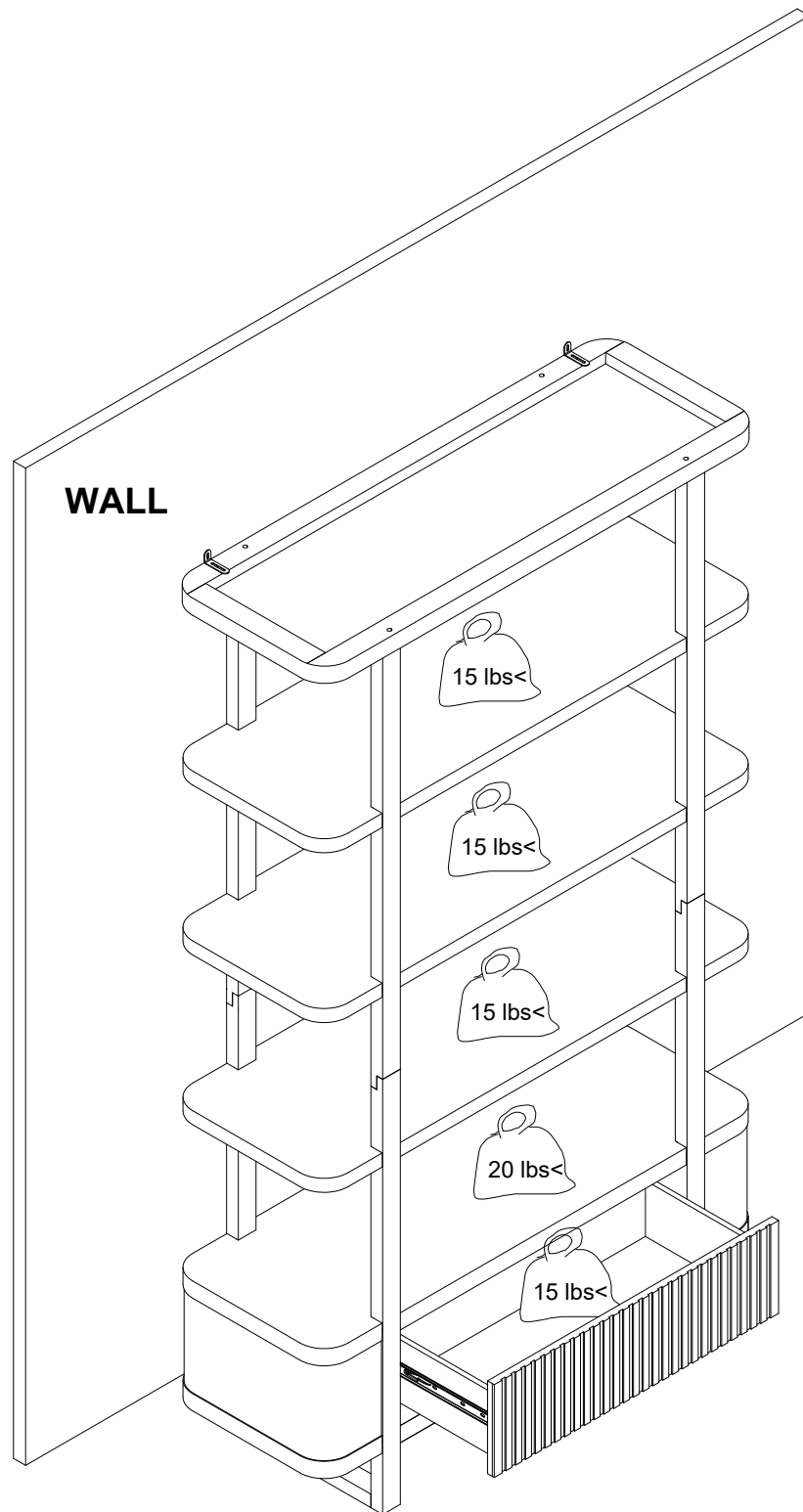


Note:

Gently push the middle position of the drawer to open it.

PUSH

STEP 11



MAINTENANCE AND WARNING

- Keep furniture away from heat.
- Do not clean furniture with harsh cleansers or polish. Do not use detergents, Solvents, abrasives, spray packs or leather cleaner. Use non-color mild soap with warm water clean spills(Mix 1:10 soap to water)
- Do not place furniture under direct sunlight, material will possibly fade over time.
- Do not use on site dry Cleaning machine.
- Children should not climb or jump on the furniture.
- Do not write on furniture without a padded barrier to protect the surface.
- Not for commercial use, For residential use only.
- The maximum load is 80 LBS

WARRANTY

We strive to offer high-quality products, and we also try our best to satisfy each and every customer that orders from us with product or service as needed. We provide 30 days warranty starting from the time you receive the item. Each customer must provide a record of their order such as the order number, or item receipt for any items that are out of the warranty period you may also still receive replacement parts by purchasing them with our company if they are available. Are you having difficulty with assembly? Missing parts? Please send email with your order No.

For return, please check the return policy with the retailer or market place you bought from. Appreciate your purchasing from us. Pop up your life by our furniture piece!