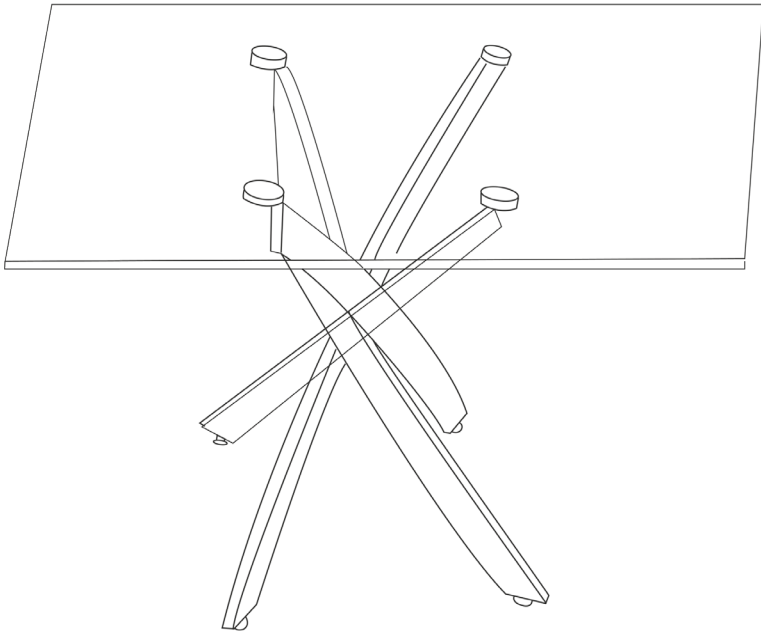


ASSEMBLY GUIDE



Important - Please read these instructions fully before starting assembly



**SAFETY AND
CARE ADVICE**



NO POWER TOOLS

SAFETY AND CARE ADVICE

- Check you have all the components and tools listed.
- Remove all fittings from the plastic bags and separate them into their groups.
- We do not recommend the use of power drills/drivers for inserting screws, as this could damage the unit. Only use hand screwdrivers and Allen keys.
- Keep children and animals away from the work area, small parts could cause choking if swallowed.
- Make sure you have enough space to layout the parts before starting.
- Assemble the item as close to its final position (in the same room) as possible.
- Do not overtighten the nuts to avoid causing damage to the threads.
- Only clean using a damp cloth and mild detergent, do not use bleach or abrasive cleaners.
- From time to time check that there are no loose screws on this unit
- This product should not be discarded with household waste. Take to your local authority waste disposal centre

IMPORTANT INFORMATION



45 MINUTE
BUILD



GLASS



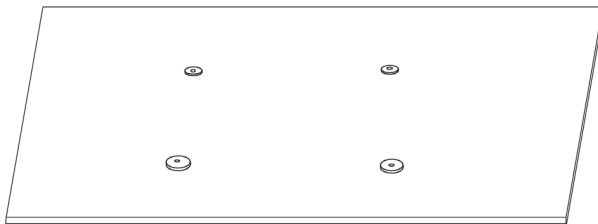
TWO
PERSON



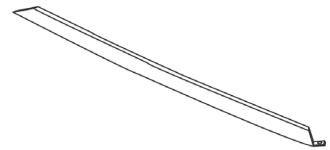
MAXIMUM
CAPACITY 100Kg



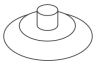





PLEASE CHECK CAREFULLY AND MAKE SURE YOU HAVE ALL FITTINGS AND TOOLS LISTED BELOW BEFORE YOU START.

1 x 1 TableTop



2 x 4 TableLegs

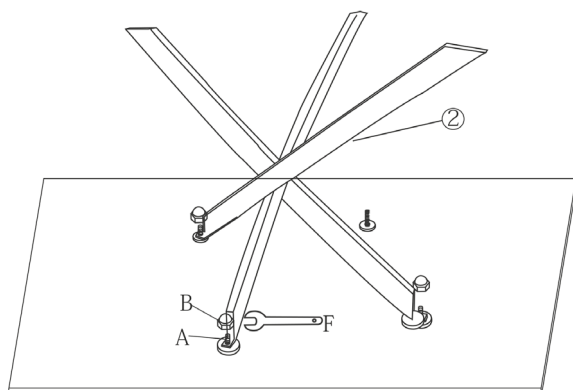
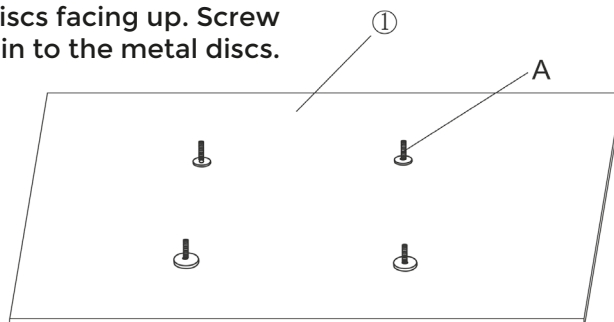


<p>(A)  Rod 8x15mm x4</p>	<p>(B)  Nuts M8 x4</p>	<p>(C)  TableFeet x4</p>
<p>(D)  Washers \varnothing 8x18mm x4</p>	<p>(E)  Screws 8x12mm x4</p>	<p>(F)  Wrench M8 x1</p>
<p>(G)  Allenkey M5 x1</p>	<p>(H)  ConnectingPiece x1</p>	

NOTE: The quantities above are the correct amount to complete the assembly.
In some cases more fittings may be supplied than are required.

STEP 1

Use a clear, flat, soft surface to avoid bumps or scratches. Place the table top on the floor with the metal discs facing up. Screw 4 x rods [A] in to the metal discs.

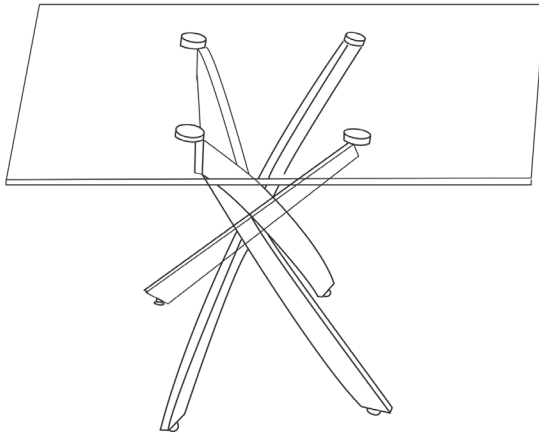
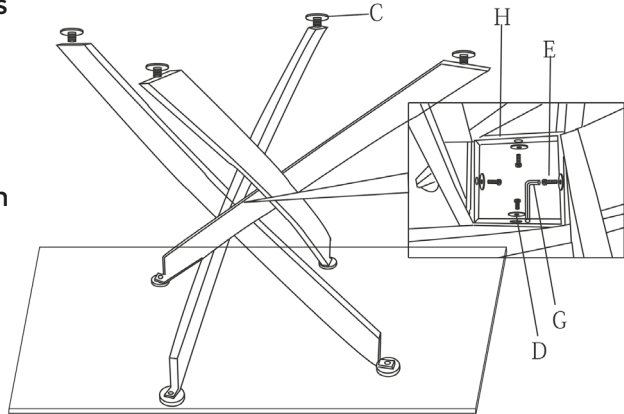


STEP 2

Place the table legs over the rods on to the metal discs. Use 4 x nuts [B] to secure table legs to table top. Repeat for all 4 table legs. **ATTENTION:** Be careful not to fully tighten fixings yet.

STEP 3

Add feet [C] to bottoms of table legs. Connect all four legs together in the middle using the connecting piece [H], washers [D] screws [E]. Tighten with Allen key [G]. Once connecting piece [H] is secured, you can then tighten all the table legs to the table top with wrench [F].



STEP 4

ATTENTION: With help arefully, and with help, turn your completed table over so it's now the correct way up. Ensure stability.