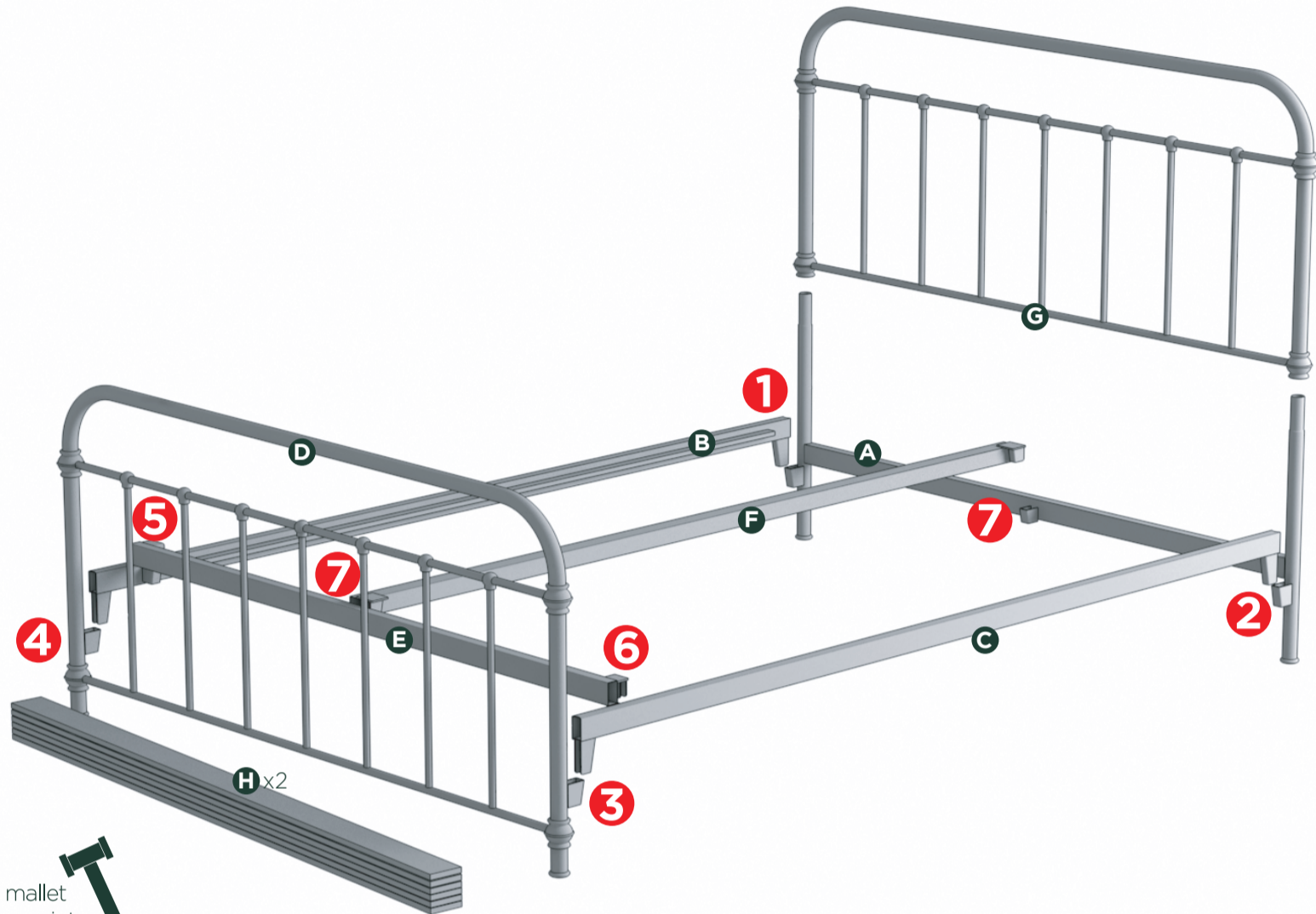


# Easy as 1-2-3 Assembly Instruction

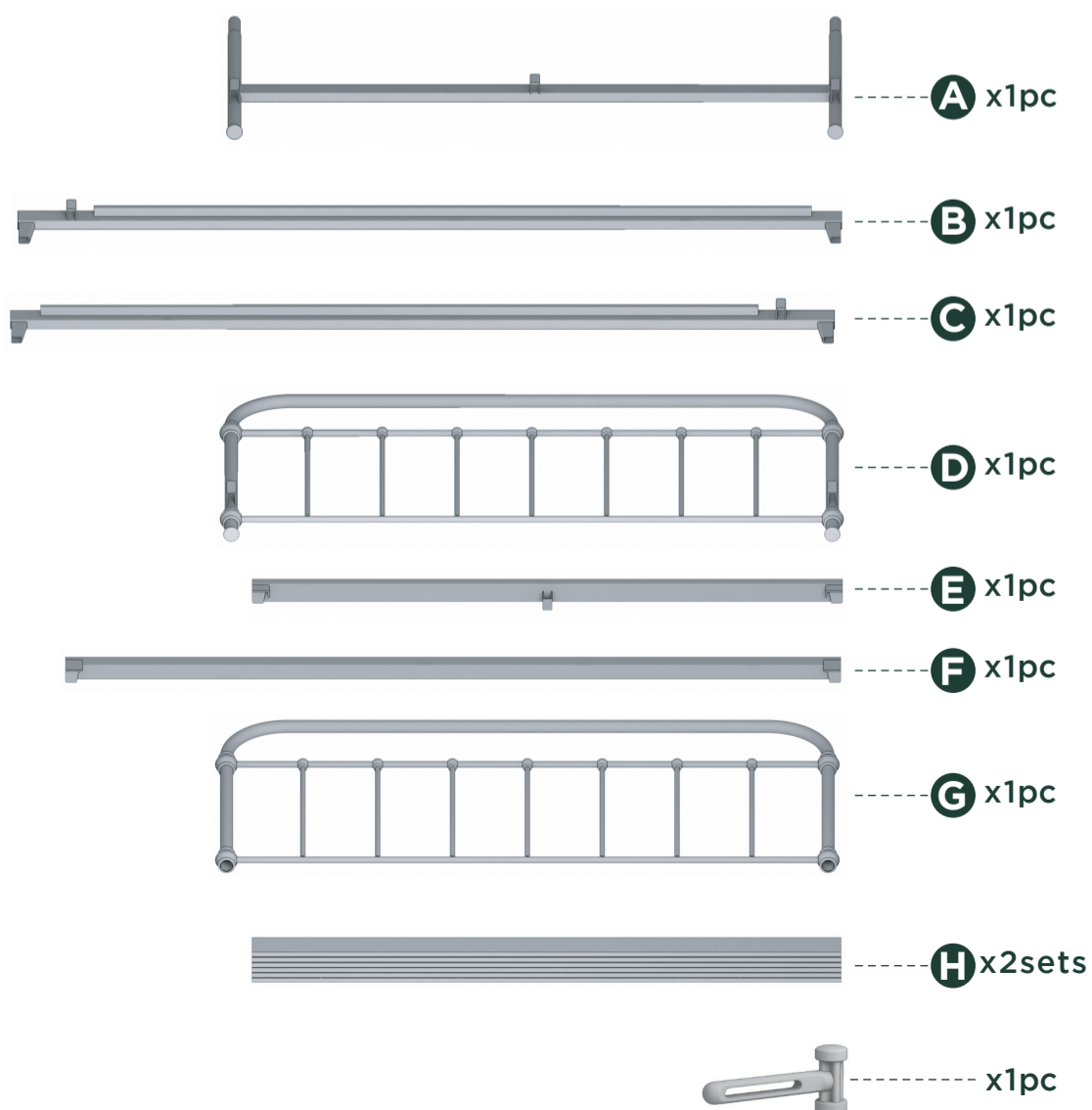
Numbers must Match for Secure Assembly

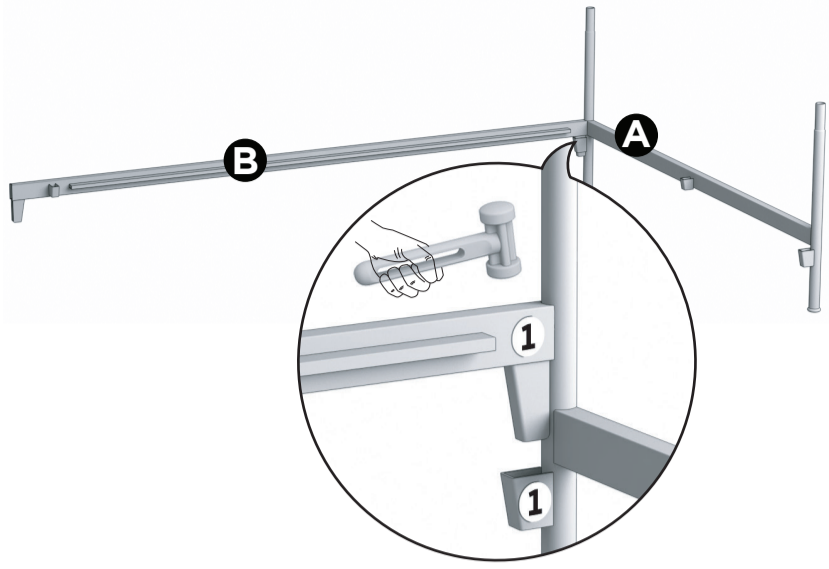
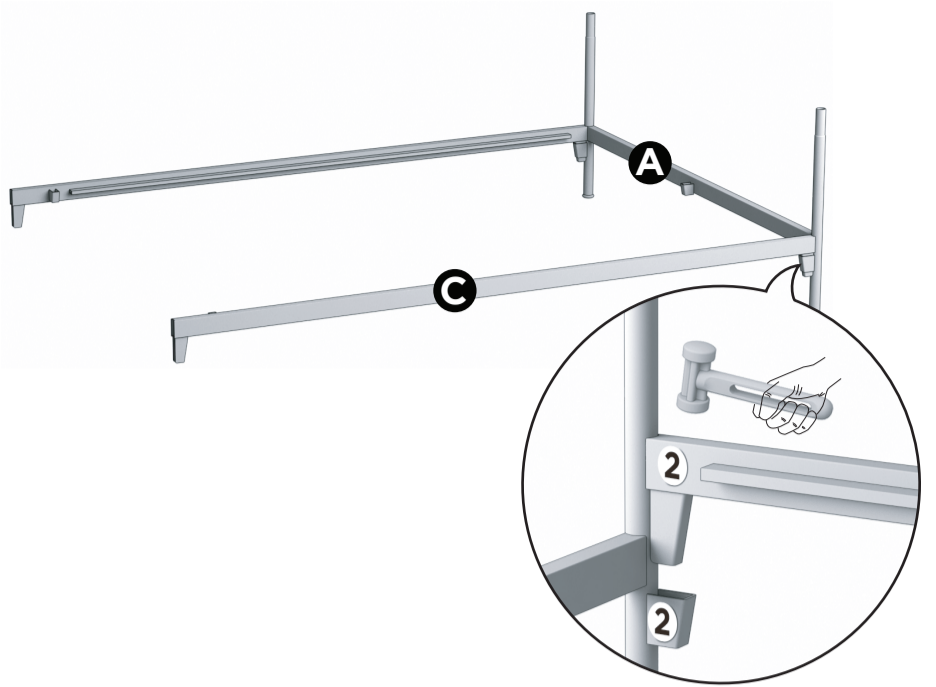
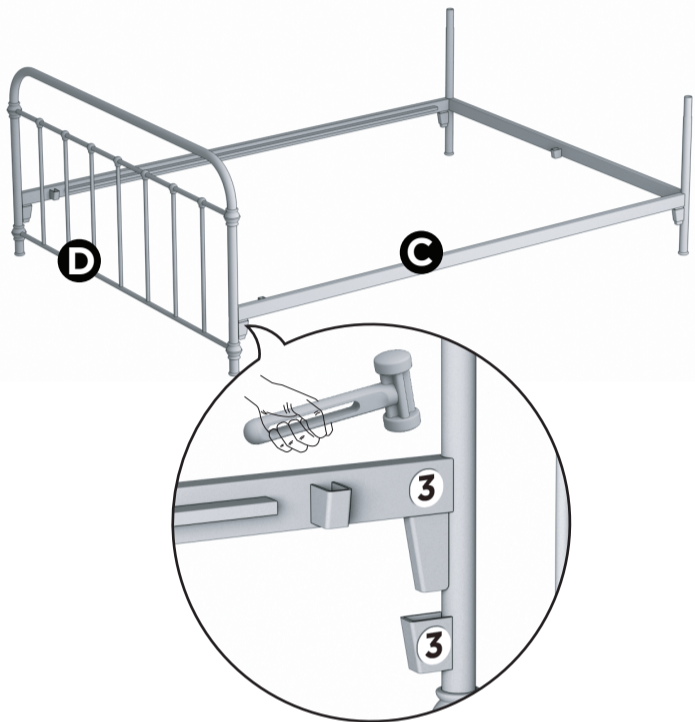
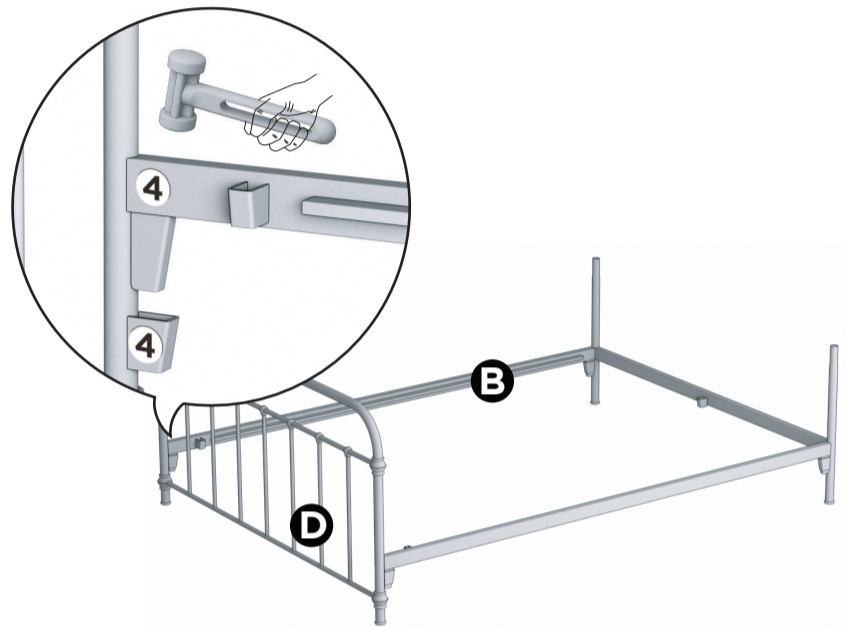
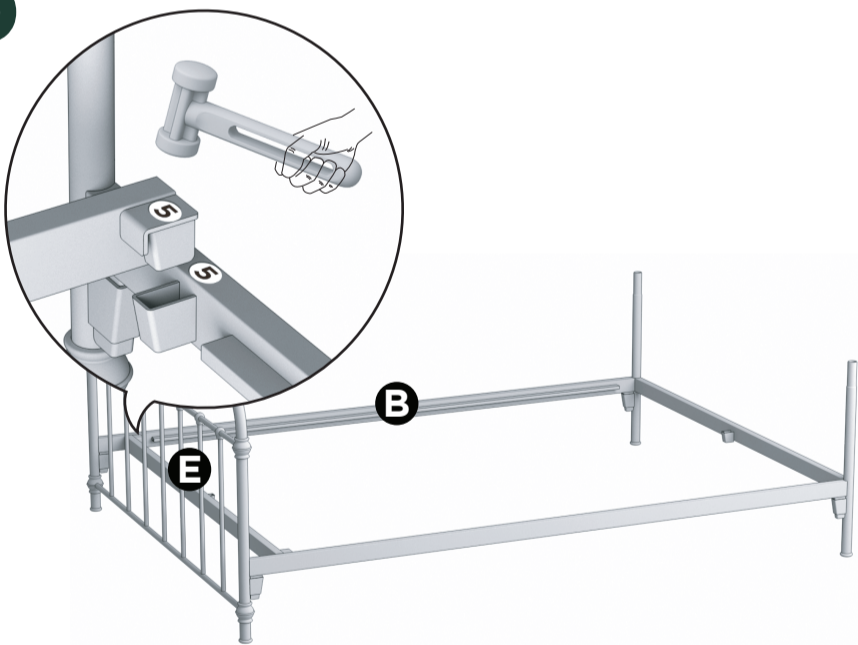
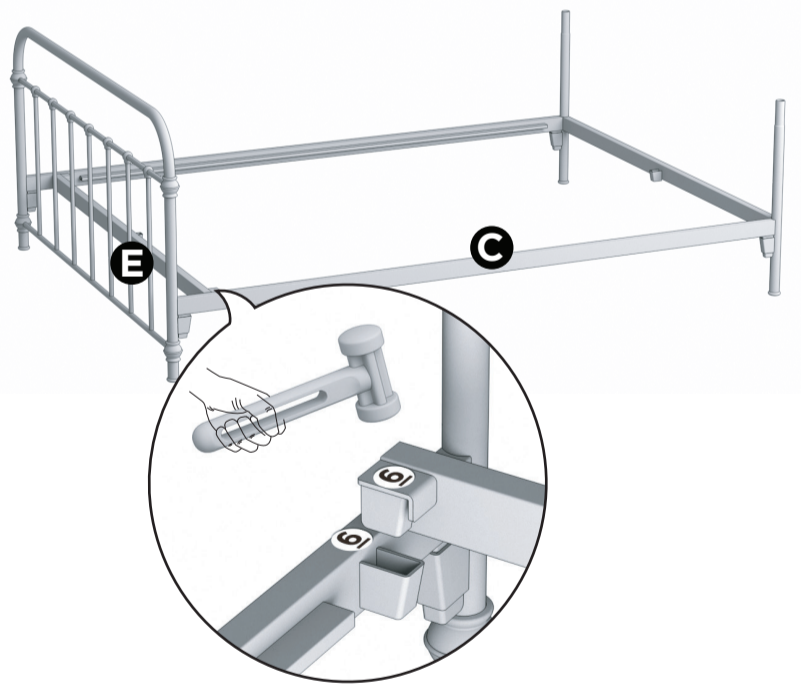
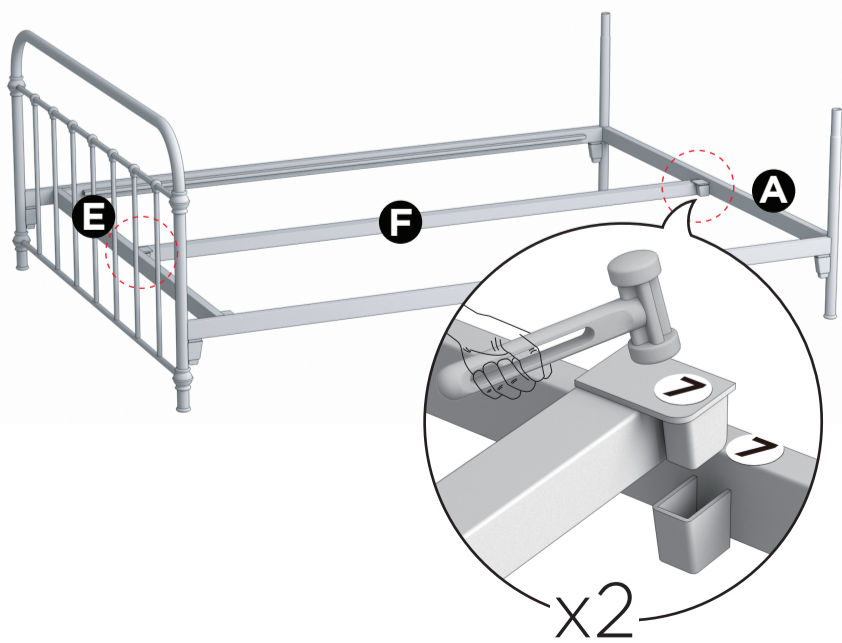
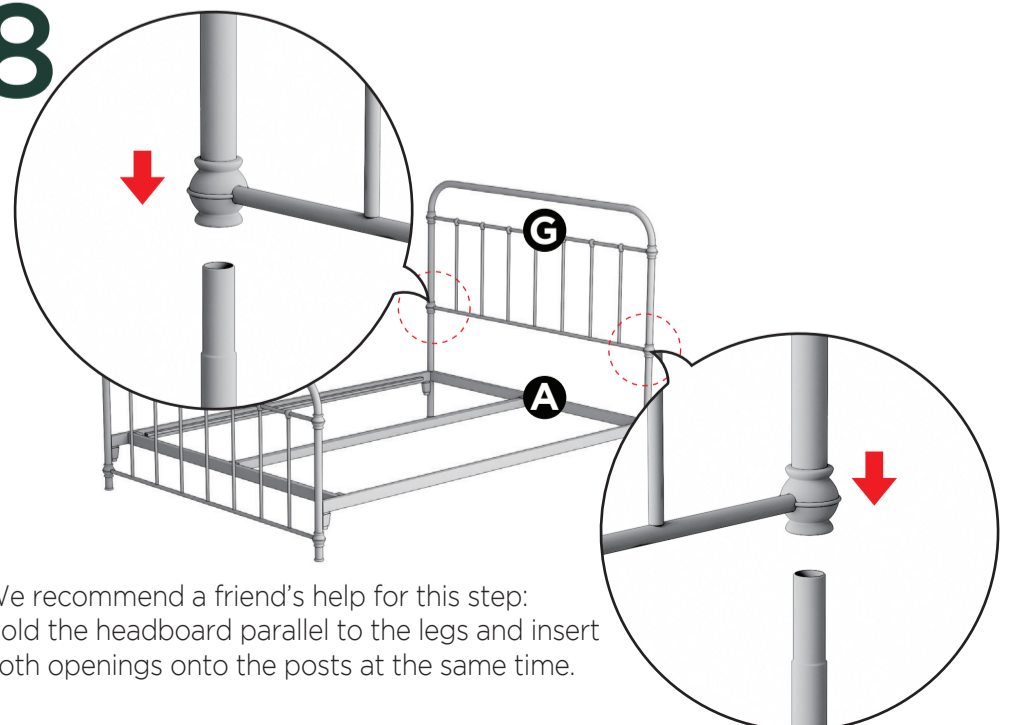


\*Please use the rubber mallet to secure all connection points.



## Components



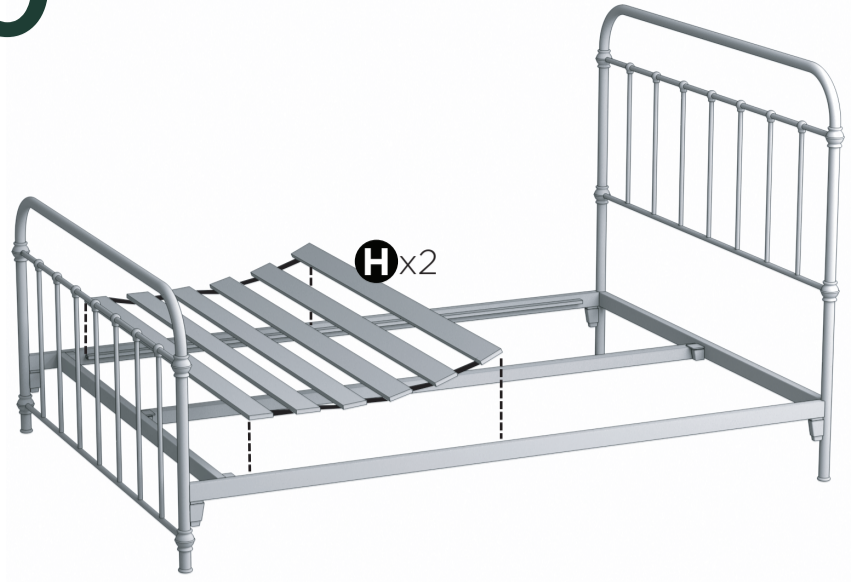
**1****2****3****4****5****6****7****8**

We recommend a friend's help for this step:  
Hold the headboard parallel to the legs and insert  
both openings onto the posts at the same time.

9



10



11

