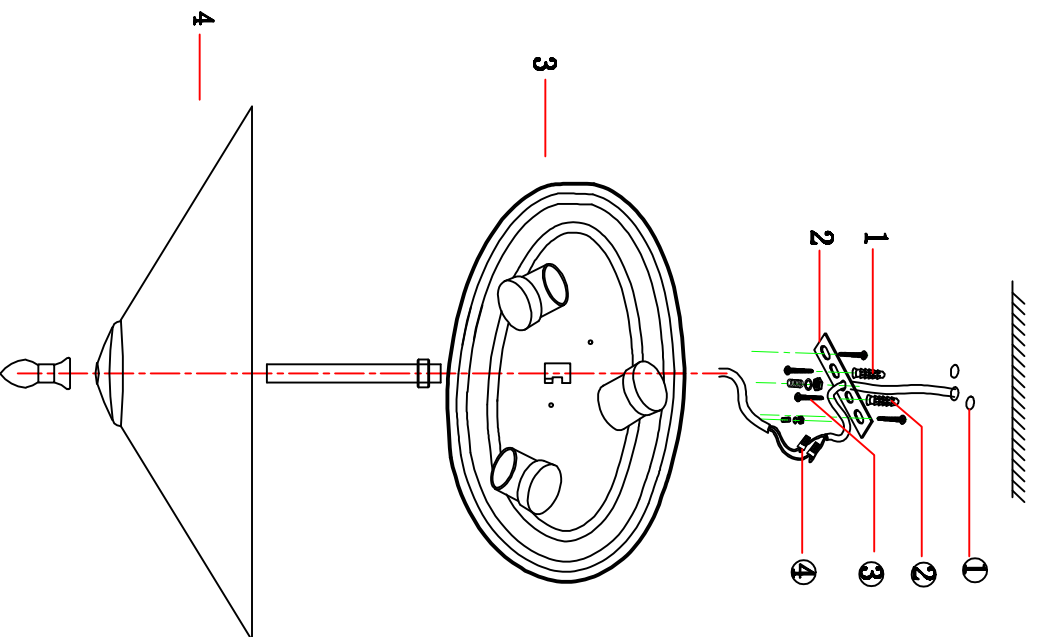


INSTALLATION



- Installation:**
- ① Drill a hole in the ceiling.
 - ② Insert the expansion bolt in the ceiling.
 - ③ Mount the crisibar by screws.
 - ④ Connect the cable.
 - ⑤ Mount the bracket.
 - ⑥ Put the lamp shade and light source.
- Cautions:**
- ❖ Should be installed by professional person
 - ❖ During the cleaning and installation remember to cut the power off
 - ❖ Keep the lamps away from corrosive chemical and air such as acid and alkali.
 - ❖ Do not wash it with water, but wipe it clean with a soft cloth.

Accessory List

| No | Part Name | Photo | QTY |
|----|---------------|-------|-----|
| 1 | Screw | | 1 |
| 2 | hanging board | | 1 |
| 3 | Light Source | | 1 |
| 4 | The lampshade | | 1 |

Ceiling Lamp
100-240V
50Hz/60Hz
MAX: 60W

