

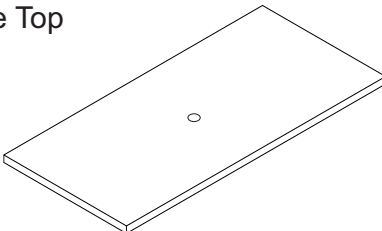
## Assembly Instructions

Please assemble on soft surface after removing contents as not to scratch or damage stone surface.  
Enjoy!

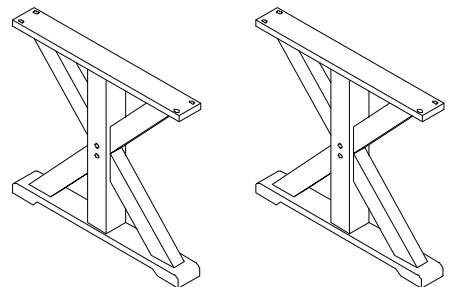
Item	Description	Q'ty
A	Bolt 8x90	04
B	Bolt 8x50	08
C	Washer	08
D	Allen Key	02
E	Deco Cap	04

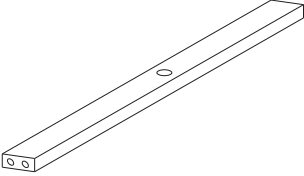
**Table Top**



**Table Base**



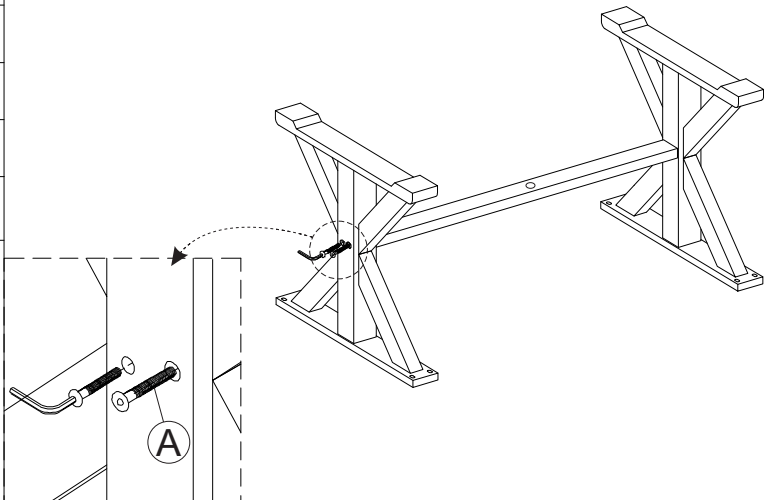
**Crossbar**



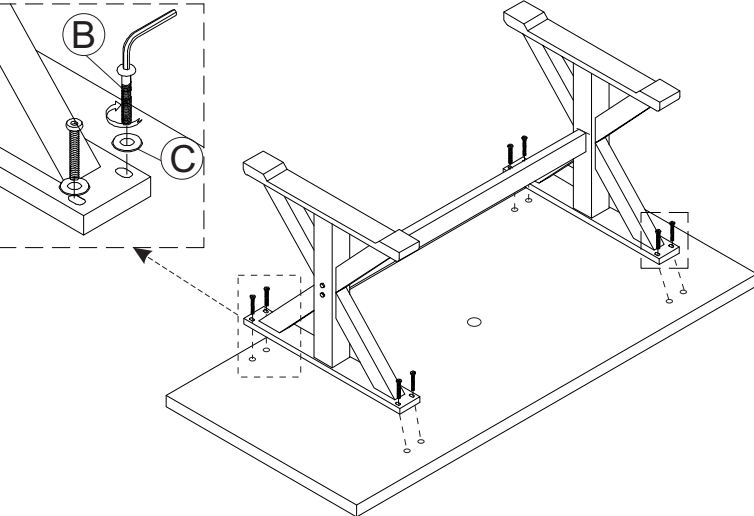
**STEP 1**

- Assemble two table base leg with crossbar.
- Attach (4) "A" Bolt .



**STEP 2**

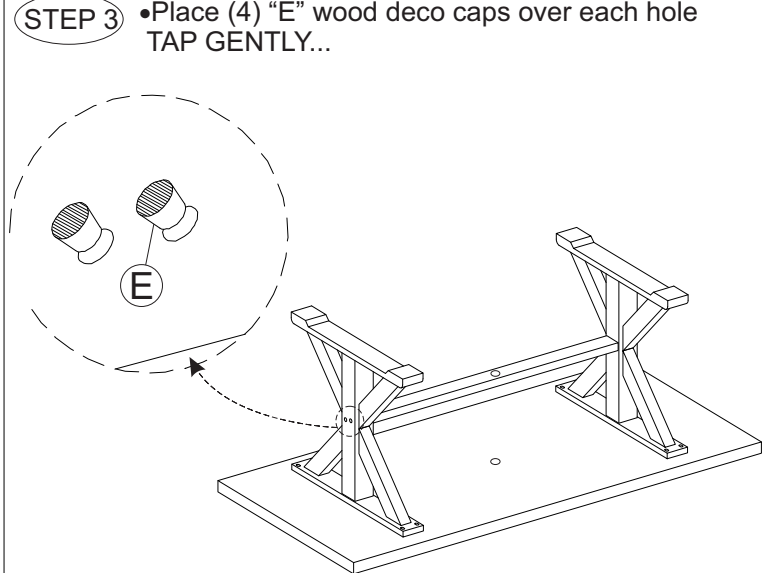
- Place table top on a soft surface as shown.
- Fasten (8) "B" Bolts and (8) "C" washers to table top underside and frame.



**STEP 3**

- Place (4) "E" wood deco caps over each hole
- TAP GENTLY...



**STEP 4**

- With 2 people carefully stand table upright.

