

# Attention!

Some steps may not be displayed intuitively on the paper manual, so we filmed the installation video.

Dear Customer,

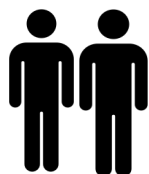
Thank you for purchasing this TV stand. If you find that the product is damaged or accessories are missing after receiving it, please contact us through our after-sales email. Our customer support team will provide you with a professional solution within 24 hours.

Three tips need to be pay attention before installation.

1. This installation takes approximately 90-120 minutes. **Please invite a companion to help you complete the installation.** Do not throw away the packaging materials before assembly is completed, because small parts may come loose in the carton during transportation. If parts are missing, please contact us.
2. This installation will require **both a screwdriver and a screw gun.** The installation tools are not included in the package. It is recommended that you use the same tools according to the steps in the installation video.
3. When you use the screw gun, please use **a reasonable speed** to avoid applying excessive pressure to the panel and causing damage.

If you encounter any product problems, please feel free to let us know, we value your suggestions and feedback very much.

Sincerely

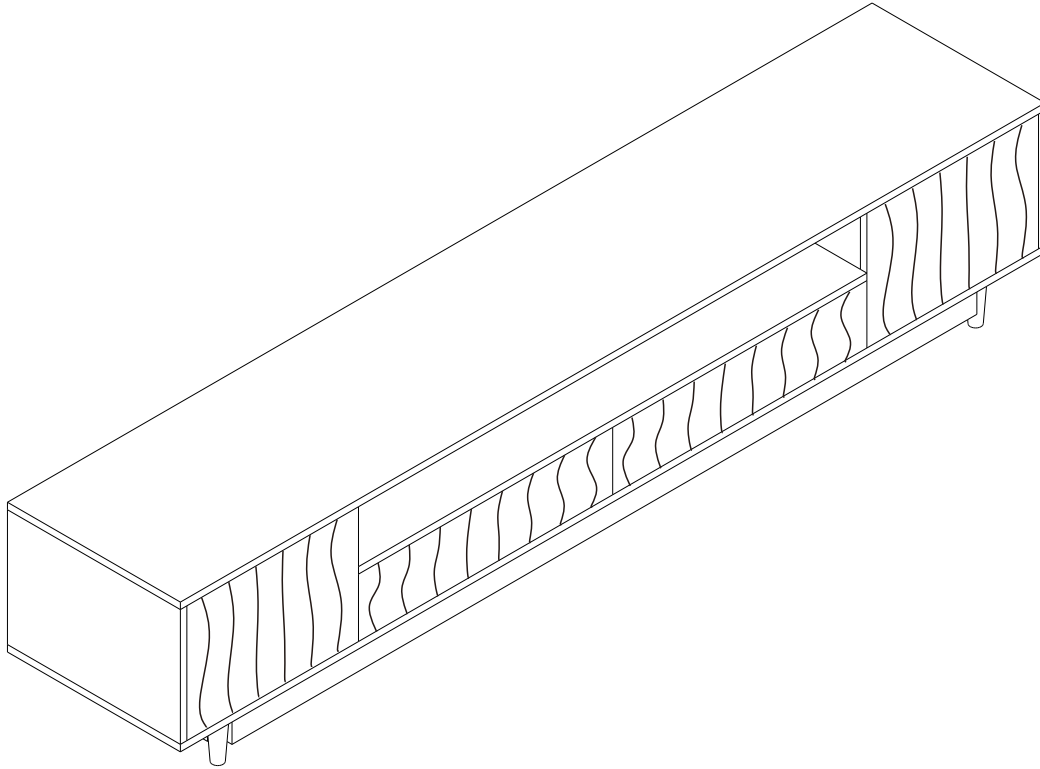


1. Requires 2 peoples.

2. A cordless screwdriver or screw gun makes installation quick.

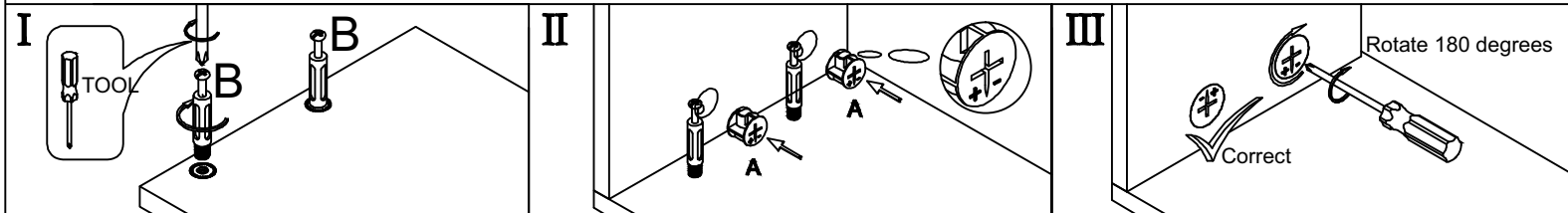
# TV Cabinet

## Installation Instructions



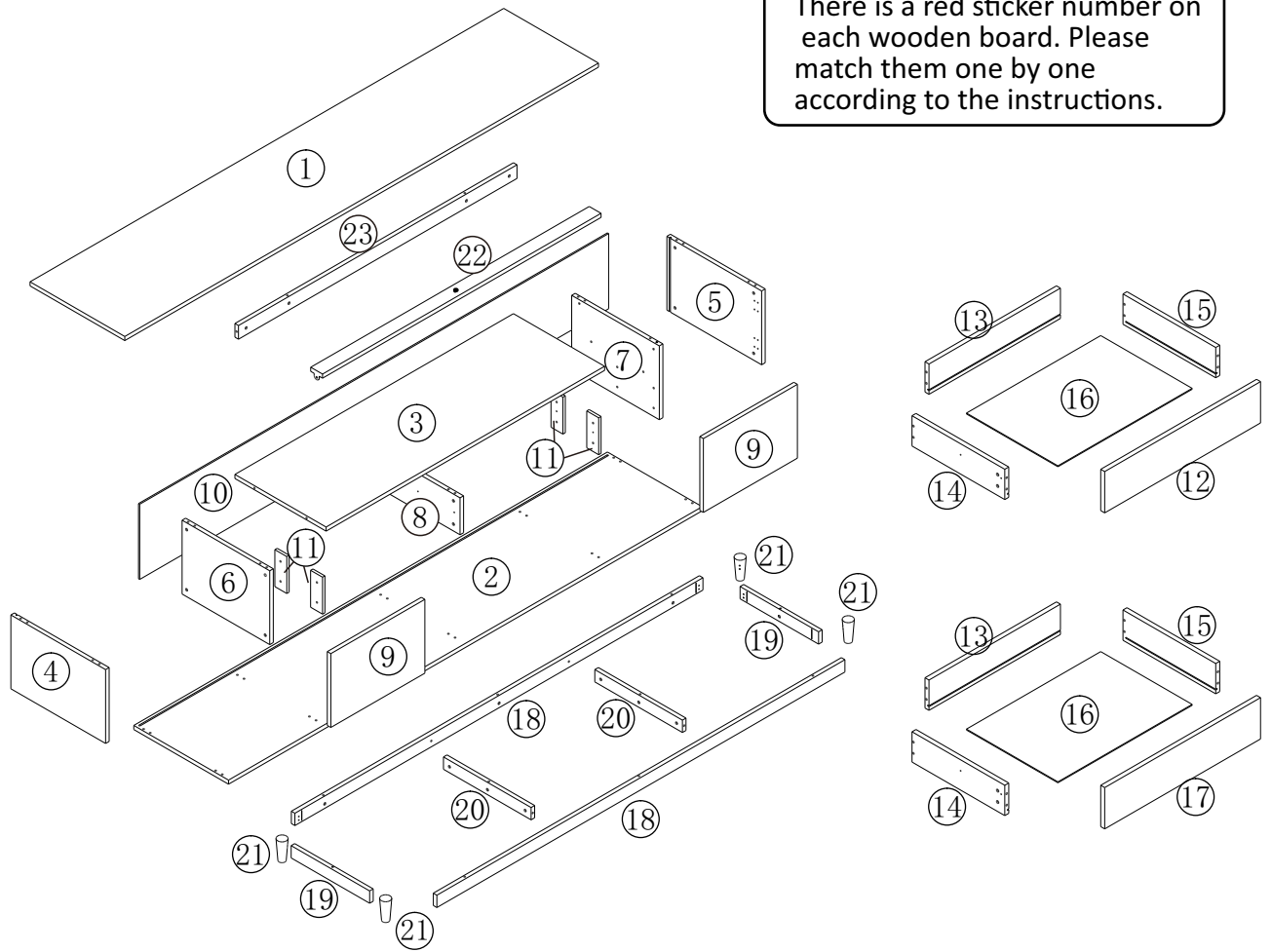
The letter in the top-left corner indicates the parts bag number, with the adjacent number showing the included quantity. Bottom text specifies product dimensions. Before installation, please verify all parts. For missing/damaged items, contact us immediately - we'll promptly supply replacements.

### Disassembly and installation of accessories

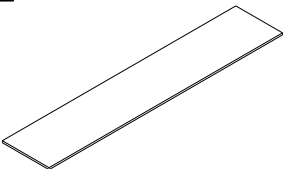
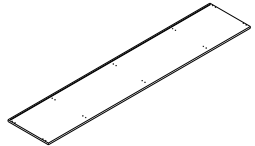
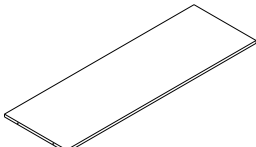
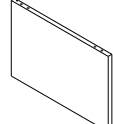
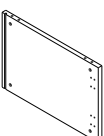
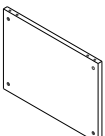
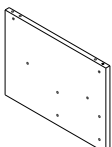
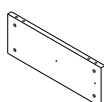
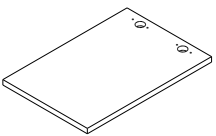
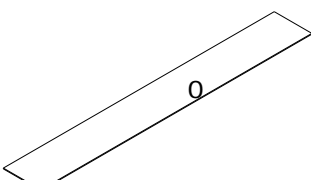
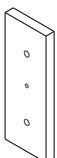
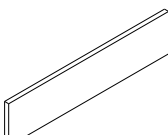


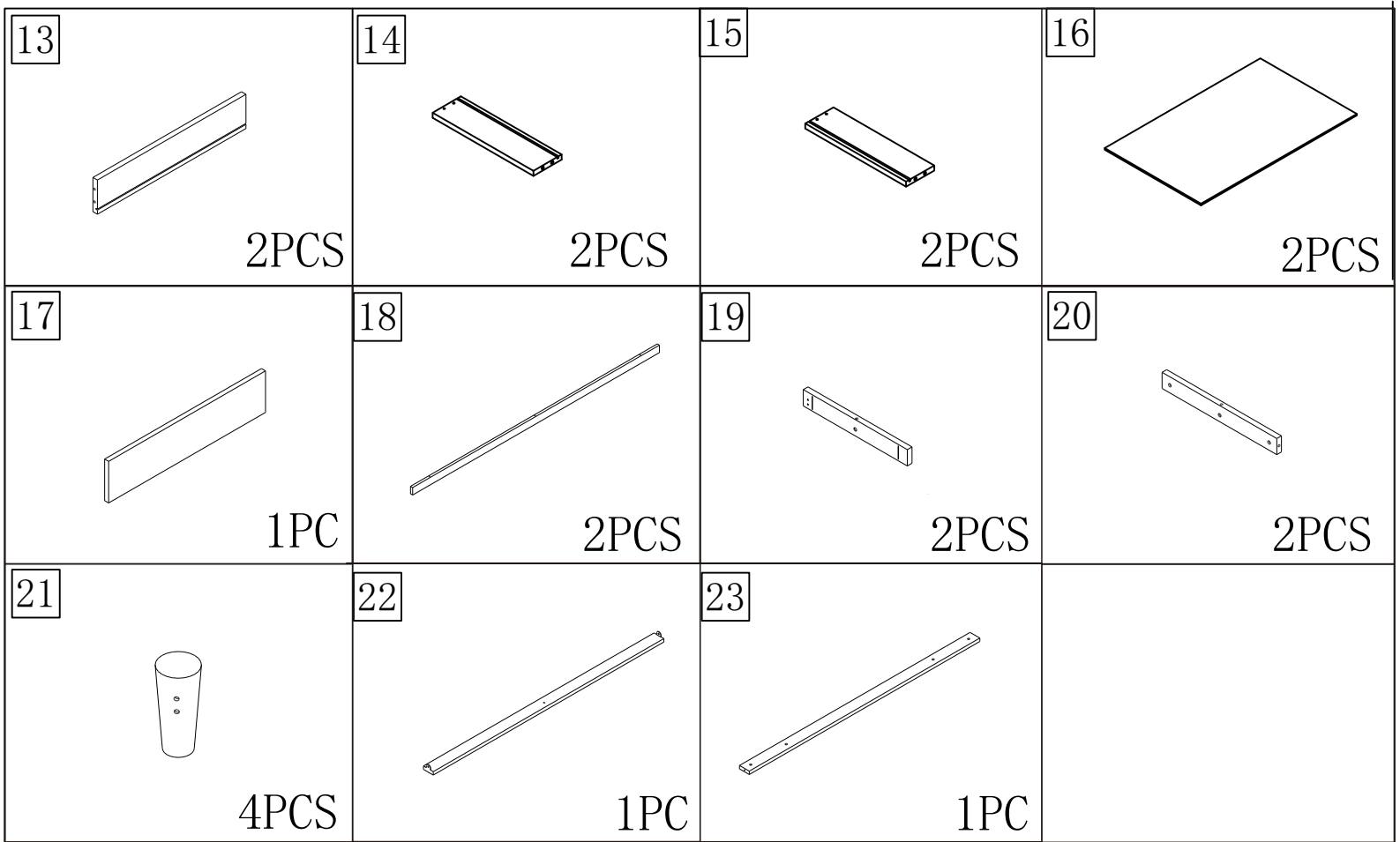
<b>A</b> 50PCS	<b>B</b> 50PCS	<b>C</b> 8PCS	<b>D</b> 8PCS	<b>E</b> 20PCS	<b>F</b> 8PCS	<b>G</b> 4PCS
∅6*28mm	∅15*10mm	∅6*25mm	∅6*20mm	∅8*30mm	∅3.5*35mm	
<b>H</b> 70PCS	<b>I</b> 1PC	<b>J</b> 4PCS	<b>K</b> 4PCS	<b>M</b> 1PC		
∅3.5*14mm	∅3.5*25mm		10"			

There is a red sticker number on each wooden board. Please match them one by one according to the instructions.

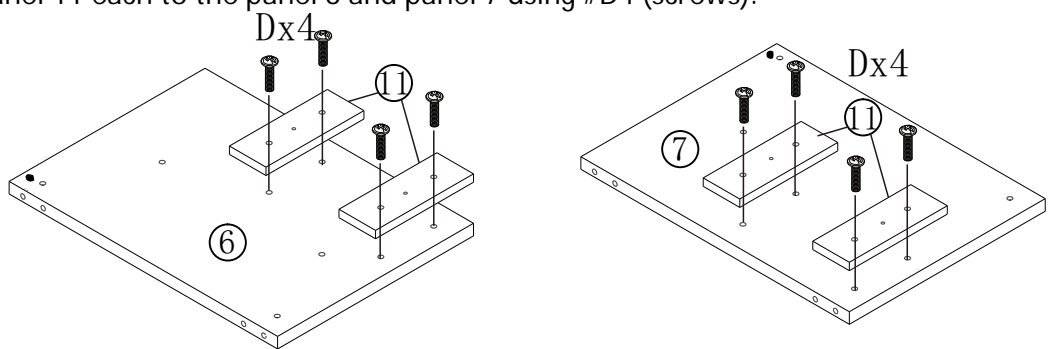


The number in the top-left corner indicates the panel code, while the bottom-right shows the quantity. Should you encounter any missing or damaged panels, please contact us immediately. We will prioritize resolving your issue promptly.

<p><b>1</b></p>  <p>1PC</p>	<p><b>2</b></p>  <p>1PC</p>	<p><b>3</b></p>  <p>1PC</p>	<p><b>4</b></p>  <p>1PC</p>
<p><b>5</b></p>  <p>1PC</p>	<p><b>6</b></p>  <p>1PC</p>	<p><b>7</b></p>  <p>1PC</p>	<p><b>8</b></p>  <p>1PC</p>
<p><b>9</b></p>  <p>2PCS</p>	<p><b>10</b></p>  <p>1PC</p>	<p><b>11</b></p>  <p>4PCS</p>	<p><b>12</b></p>  <p>1PC</p>



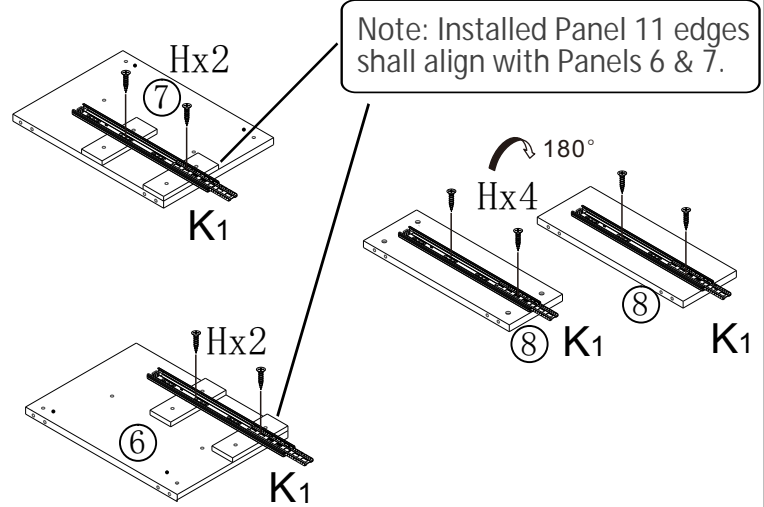
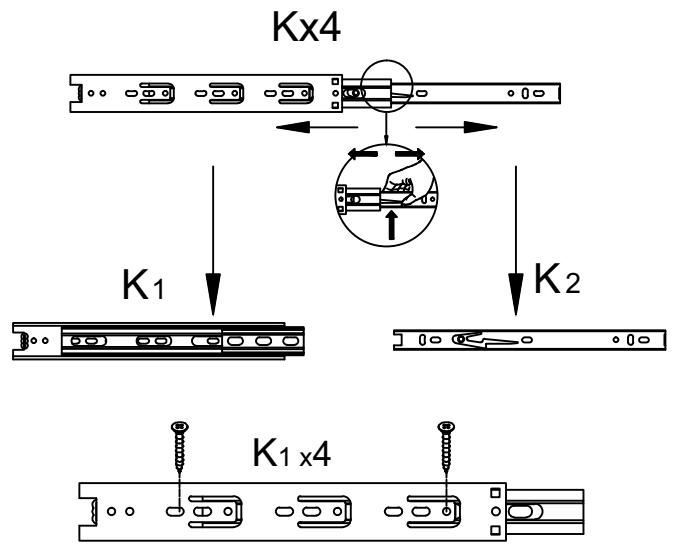
1 Attach four panel 11 each to the panel 6 and panel 7 using #D4 (screws).



D	8PCS
Φ	6*20mm

2 Pre-separate both the #K (standard slides) into their two components- #K1 (outer rails) and inner rails #K2 (inner rails)- for easier drawer installation.

Tip: Bend and hold the rubber strip aside while pulling out the inner rail to separate the outer rail.

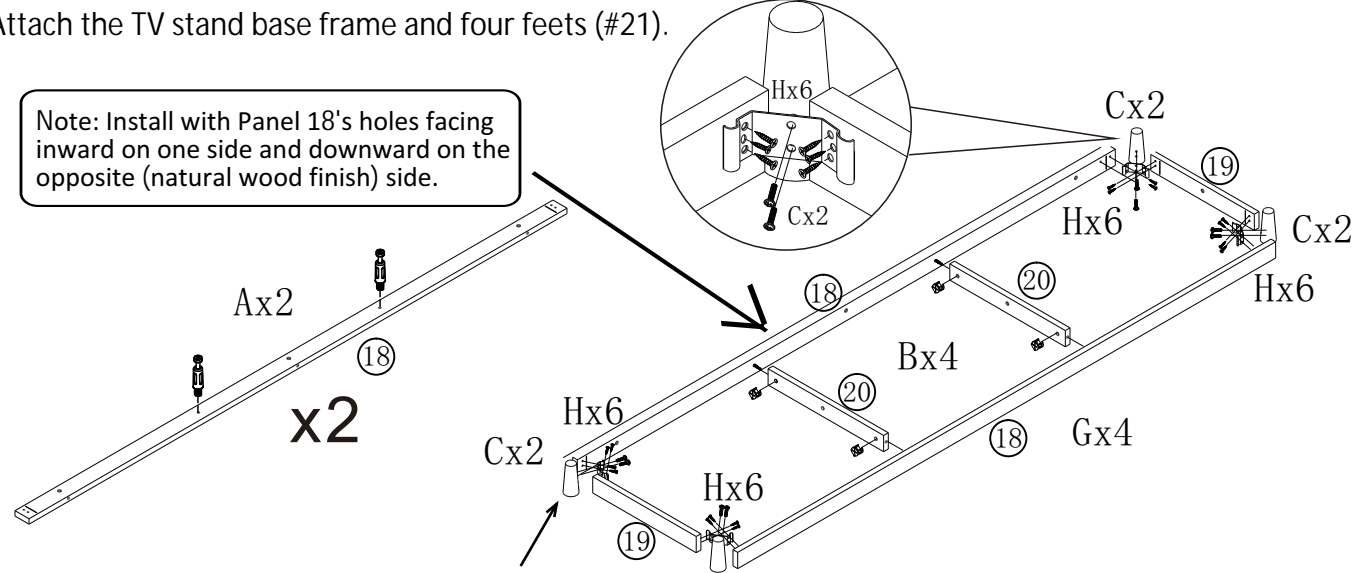


As shown: Secure four K1 units to Panels 6, 7, and 8 using #H (screws).

K	4PCS	H	8PCS	K1	4PCS
10"		Φ3.5*14mm		10"	

**3** Attach the TV stand base frame and four feet (#21).

Note: Install with Panel 18's holes facing inward on one side and downward on the opposite (natural wood finish) side.

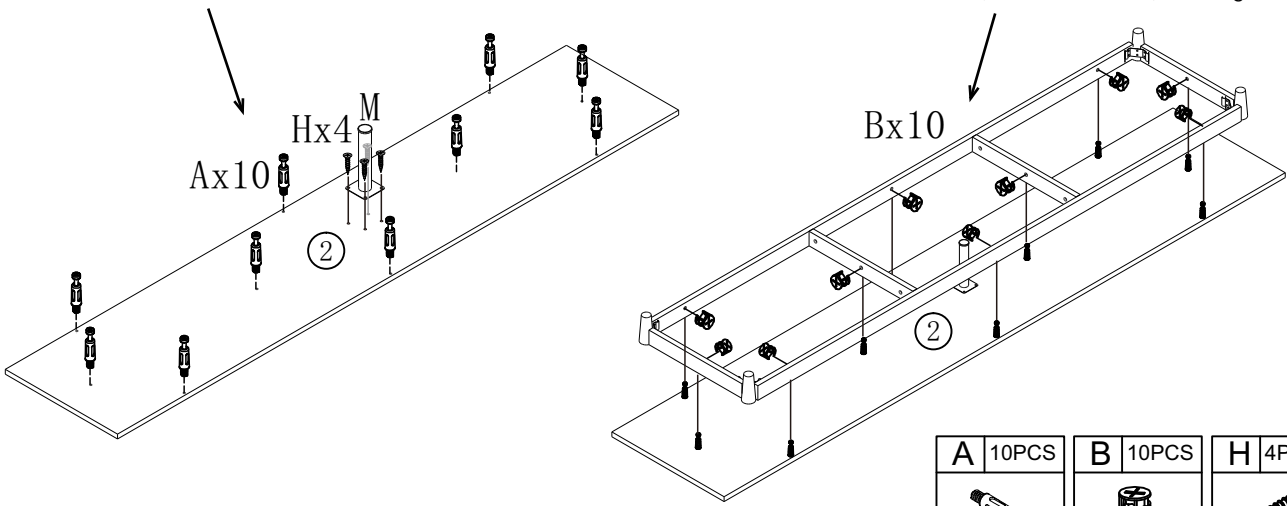


Assembly Tip: Initially install all four #21 feet loosely to allow for later adjustment before final tightening.

Cx2	A 4PCS	B 4PCS	C 8PCS	H 24PCS	G 4PCS
Ø6*28mm	Ø15*10mm	Ø6*25mm	Ø3.5*14mm		

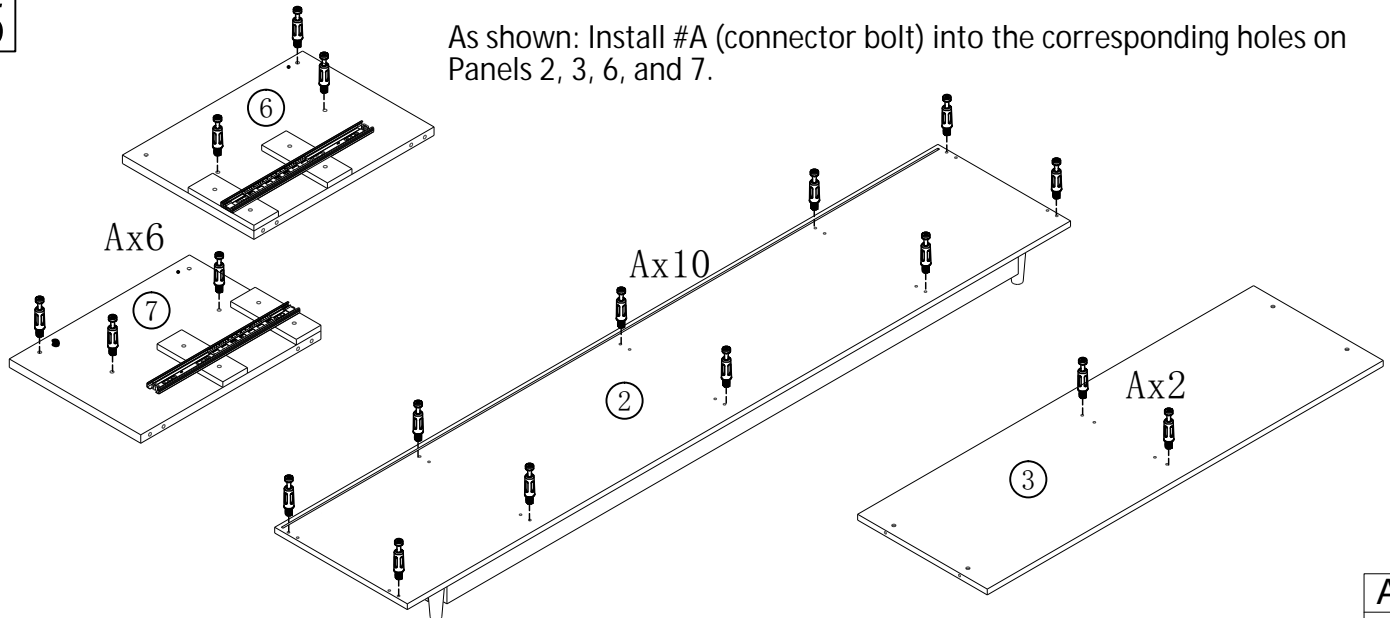
**4** Insert #H (screws) into #M matching hole and fasten to Panel 2, then install #A (connector bolt) to its marked position on Panel 2 as shown.

Align TV stand base frame with Panel 2, connect and secure with #B (eccentric locks) and tighten.



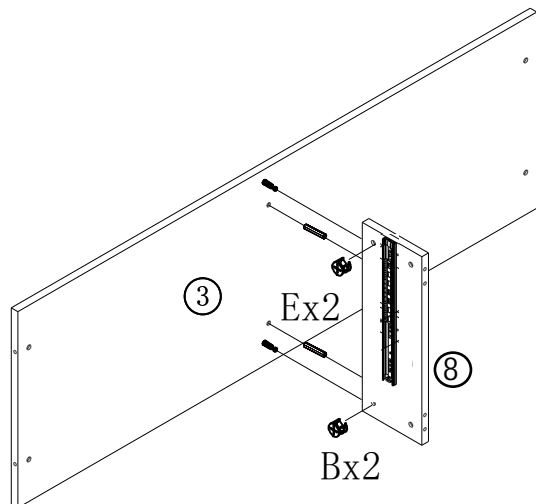
A 10PCS	B 10PCS	H 4PCS	M 1PCS
Ø6*28mm	Ø15*10mm	Ø3.5*14mm	



**5** As shown: Install #A (connector bolt) into the corresponding holes on Panels 2, 3, 6, and 7.



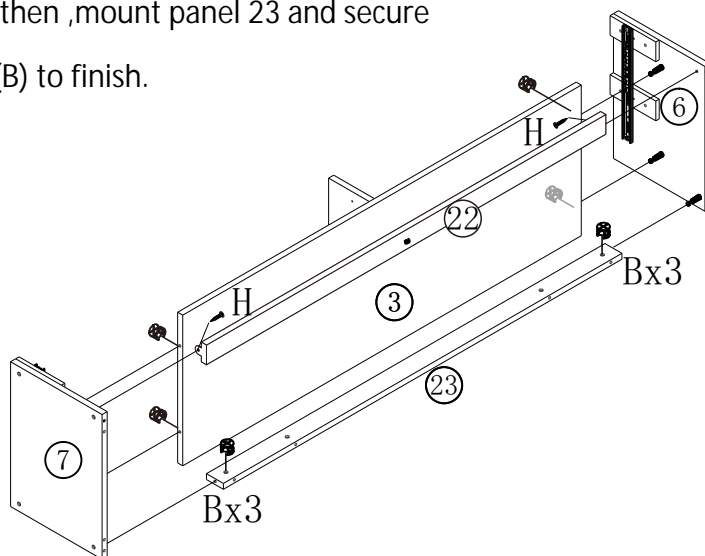
A 18PCS
Ø6*28mm



**6** Insert #E (wood dowel pins) into Panel 3, connect Panel 3 to Panel 8, then secure with #B (eccentric locks) and tighten.



<b>B</b>	2PCS	<b>E</b>	2PCS
			
∅15*10mm		∅8*30mm	

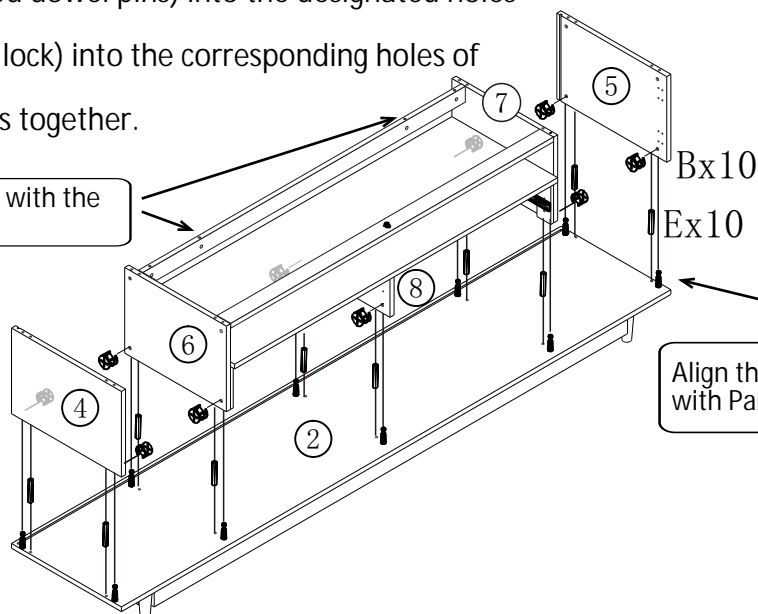
**7** Assembly Steps:  
 1) Install Panels #3, #6, #7, Loosely attach #B (eccentric locks).  
 2) Add #22 with #H (screws), then ,mount panel 23 and secure with #B (eccentric locks).  
 3) Tighten all Eccentric Locks (B) to finish.





<b>B</b>	6PCS	<b>H</b>	2PCS
			
∅15*10mm		∅3.5*14mm	

**8** Assembly Steps:  
 1) As shown, insert #E (wood dowel pins) into the designated holes of Panel 2.  
 2) Install #B (eccentric cam lock) into the corresponding holes of Panels 4,5, 6, 7,and 8.  
 3) Assemble all components together.

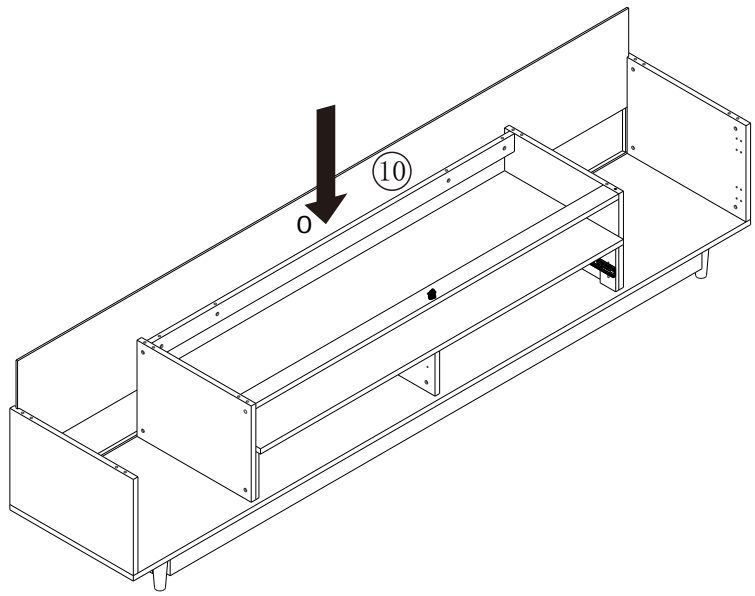
Note: Install this section with the holes facing upward.



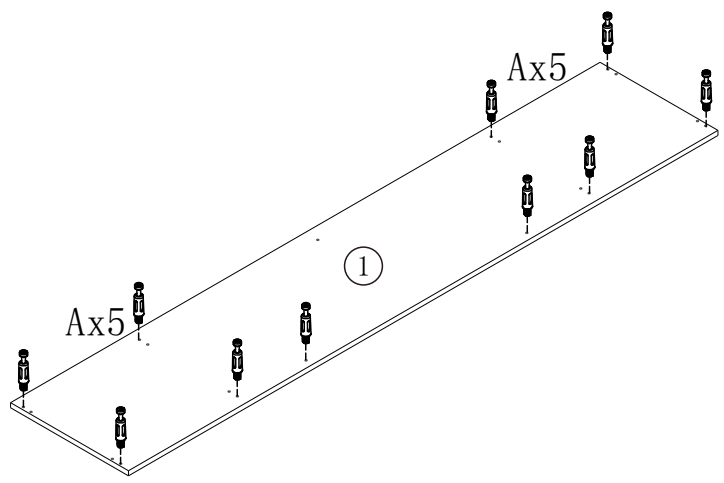
Align the edges of Panel 4 and Panel 5 with Panel 2 during assembly.

<b>B</b>	10PCS	<b>E</b>	10PCS
			
∅15*10mm		∅8*30mm	

**9** Install Panel No. 10 (TV cabinet back panel)

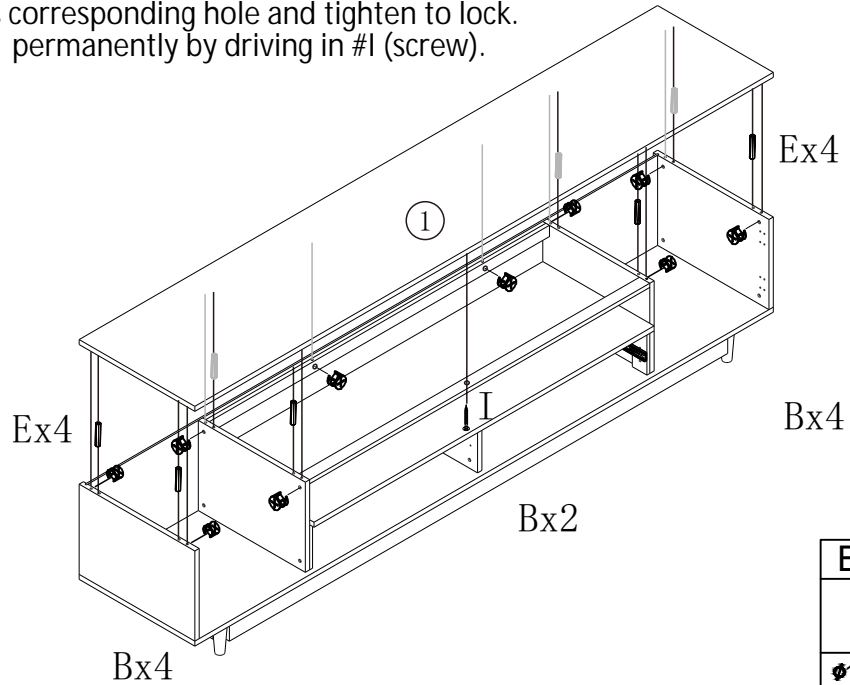


**10** Install #A (connector bolt) onto Panel No. 1.



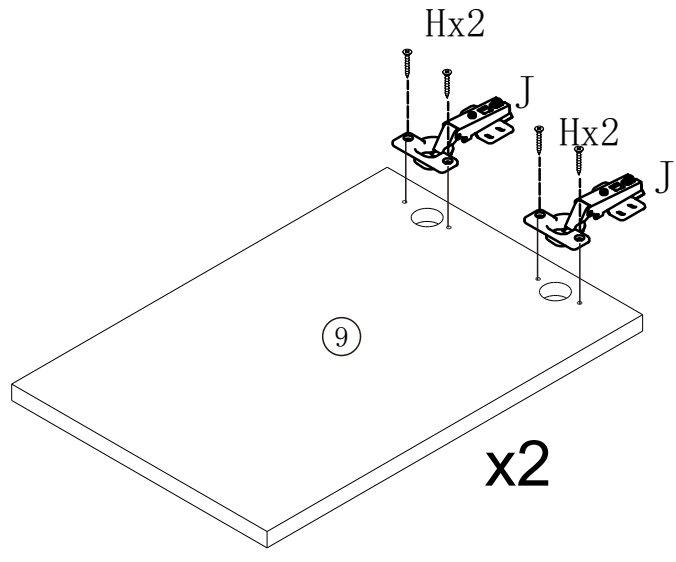
<b>A</b>	10PCS
Φ6*28mm	



**11** 1) Insert #E (wood dowel pins) into the pre-drilled holes and place Panel 1 over the dowels. Twist #B (eccentric cam lock) into its corresponding hole and tighten to lock.  
2) Secure Panel 1 permanently by driving in #I (screw).



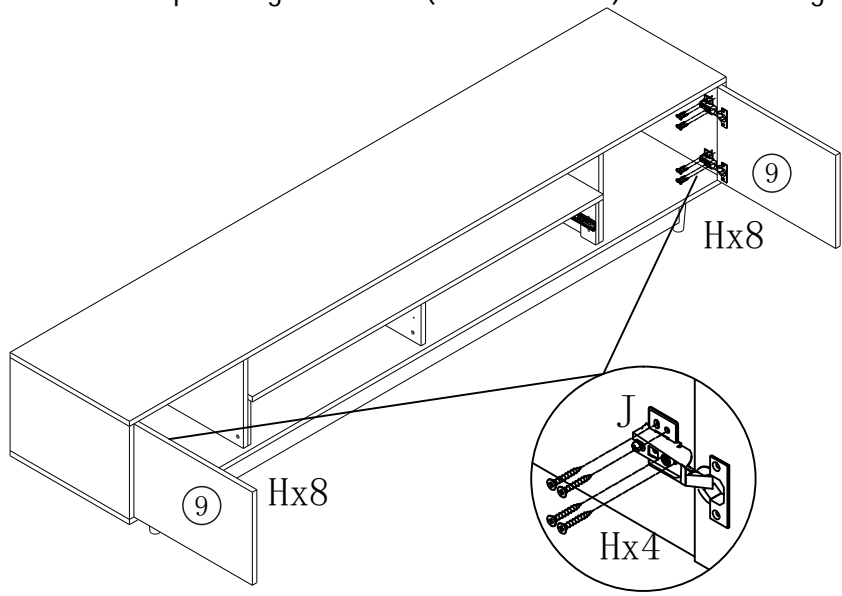
<b>B</b>	10PCS	<b>E</b>	8PCS	<b>I</b>	1PCS
Φ15*10mm		Φ8*30mm		Φ3.5*25mm	


**12** Use #H (screws) to attach #J (door hinge) to both Panel 9 pieces.



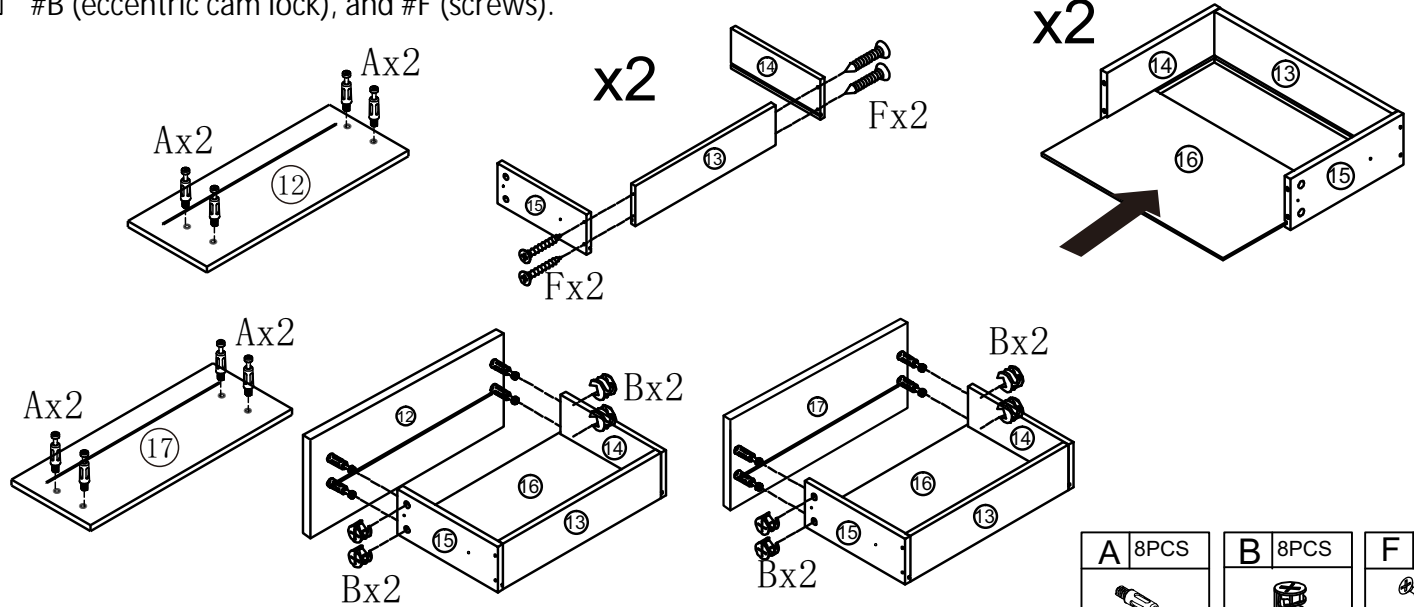
<b>H</b>	8PCS	<b>J</b>	4PCS
			
$\phi 3.5 \times 14 \text{mm}$			




**13** Use #H (screws) to install both pre-hinged Panel 9 (cabinet doors) into their designated positions.



<b>H</b>	16PCS
	
$\phi 3.5 \times 14 \text{mm}$	

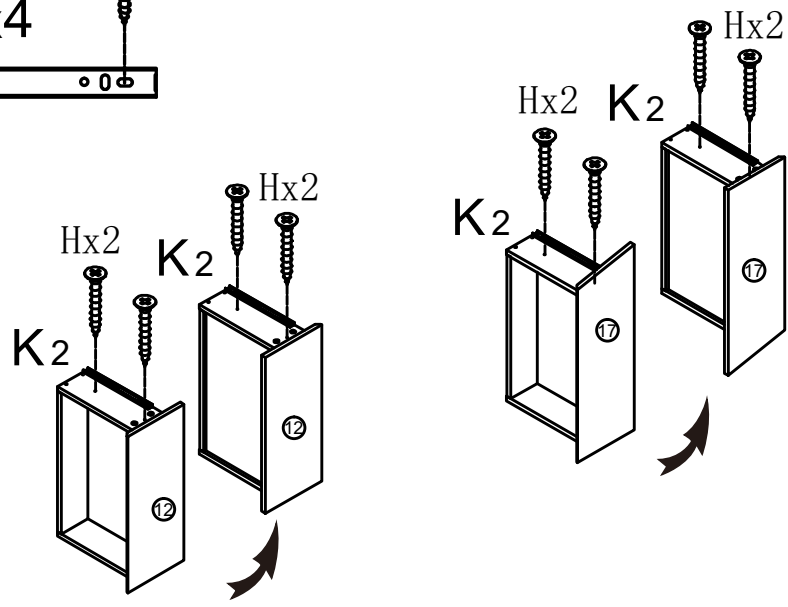
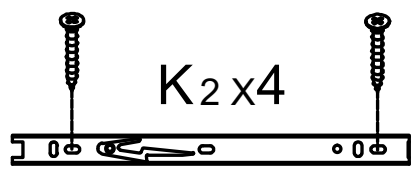
**14** As shown in the diagram, assemble both drawers using #A (connector bolt), #B (eccentric cam lock), and #F (screws).





<b>A</b>	8PCS	<b>B</b>	8PCS	<b>F</b>	8PCS
					
$\phi 6 \times 28 \text{mm}$		$\phi 15 \times 10 \text{mm}$		$\phi 3.5 \times 35 \text{mm}$	

15

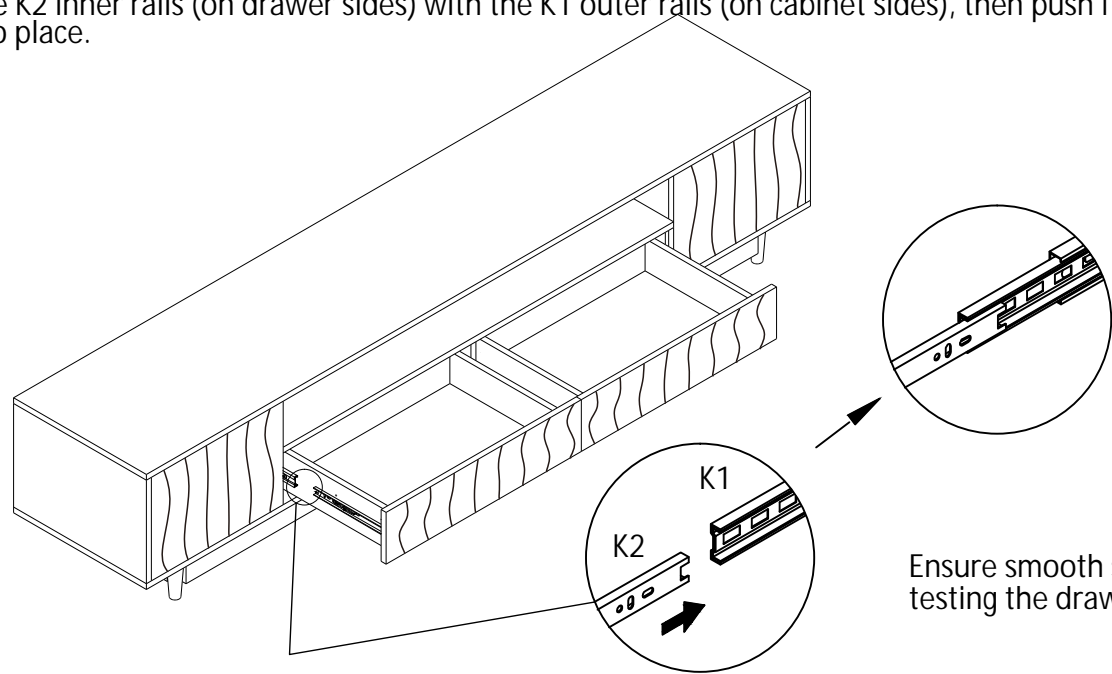
Use #H (screws) to attach K2 (inner rail) to both sides of each drawer. (Required for both drawers.)



H	8PCS	K2	4PCS
			
Ø3.5*14mm		10"	

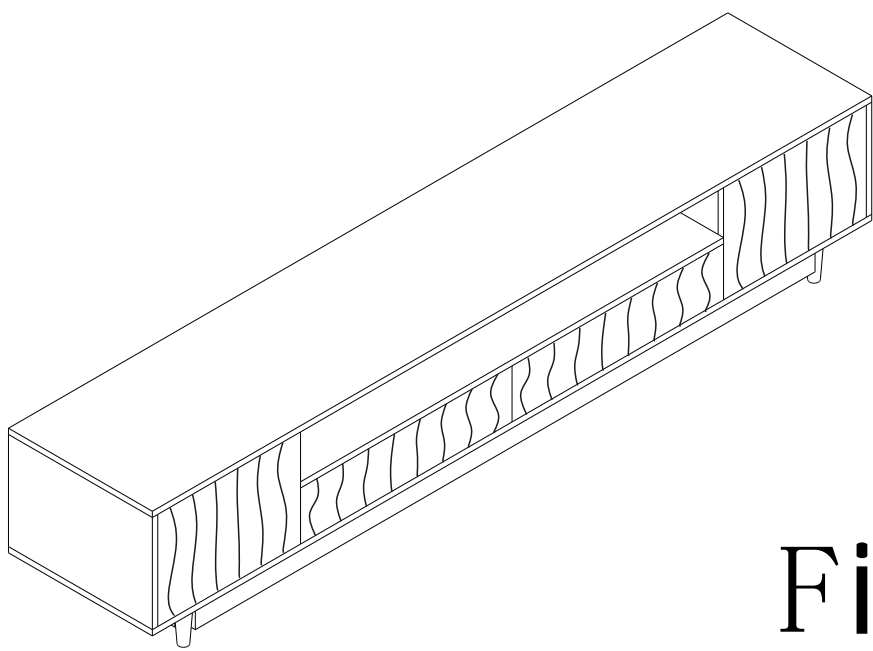
16

Align the K2 inner rails (on drawer sides) with the K1 outer rails (on cabinet sides), then push firmly until they click into place.



Ensure smooth sliding motion by testing the drawer extension.

17



Fi ni sh