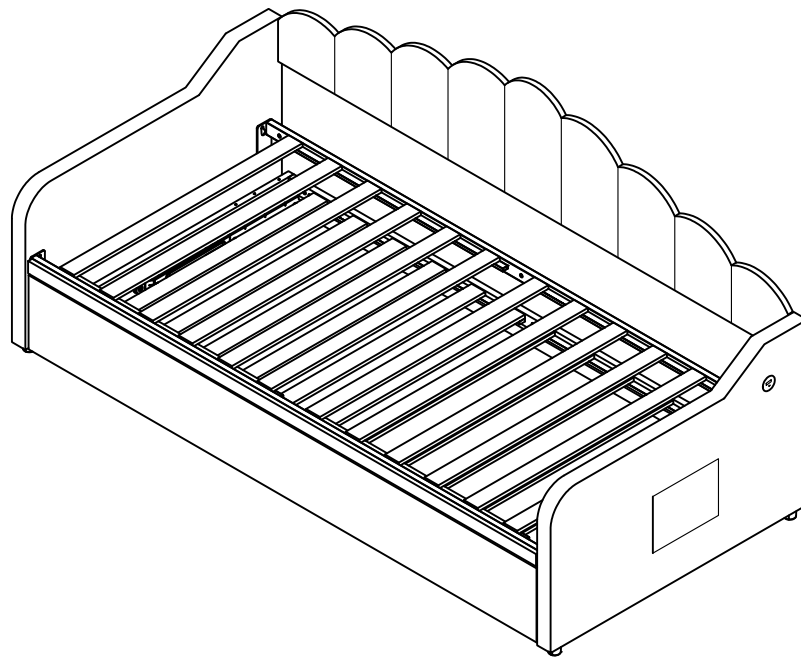


Assembly Instruction

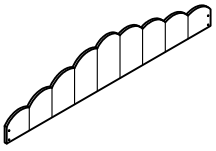
N652P396338 N652P396339



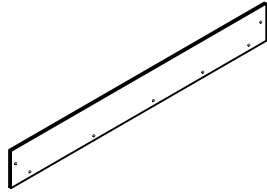
TIPS

- 1.This product is divided into 2 parcels for delivery. They may not arrive at the same time. Please wait patiently.
- 2.Please read the instructions fully before assembly. These instructions include important information which could ensure correct assembly. We have been working on providing high quality products for you. However, in the rare instance that your product is defective,missing parts or there are some issues, please don't hesitate to contact our customer service to submit parts requirements, assembly suggestion,or warranty claims, and we will give the best solution as soon as possible. If necessary, we need you to provide some more clear pictures of the issue.
- 3.Insert the screws in holes and tighten the screws, but not too tight, 70%~80% is ok, finally tighten all the screws. If some issues happened that some screws can not target to the hole or some parts are difficult to install, please adjust the tightness of the screws.
- 4.2 people are recommended to finish.

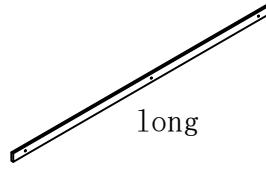
SKU: N652P396338



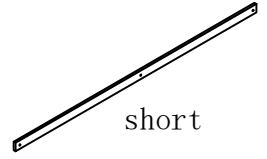
3
X1



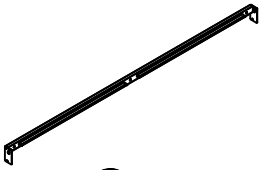
5
X1



6
X1



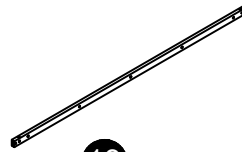
7
X1



9
X2

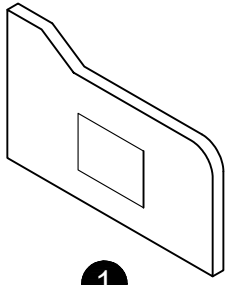


10
X2

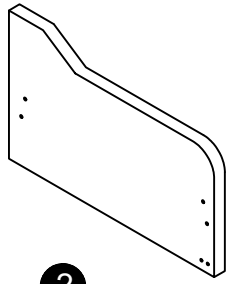


13
X2

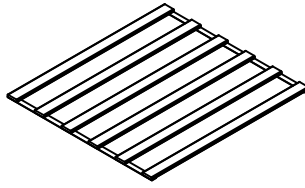
SKU: N652P396339



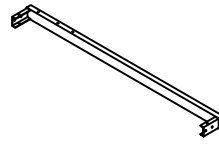
1
X1



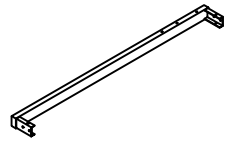
2
X1



8
X4



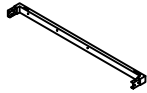
11
X1



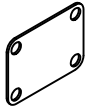
12
X1



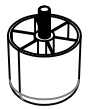
14
X1



15
X1



16
X2



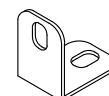
18
X4



19
X2



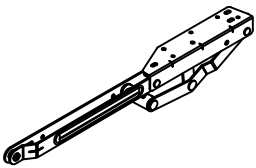
20
X2



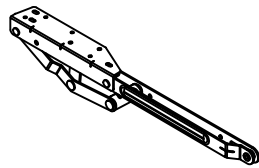
21
X2



22
X4



23
X1



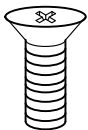
24
X1



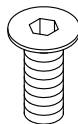
25
X4



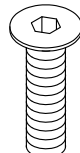
26
X2



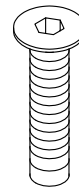
A
M6*20
X32+4



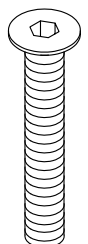
B
M8*15
X4+1



C
M8*20
X16+2



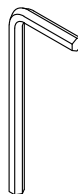
D
M8*35
X11+1



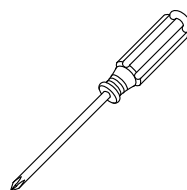
E
M8*60
X8+1



F
M4*10
X4+1



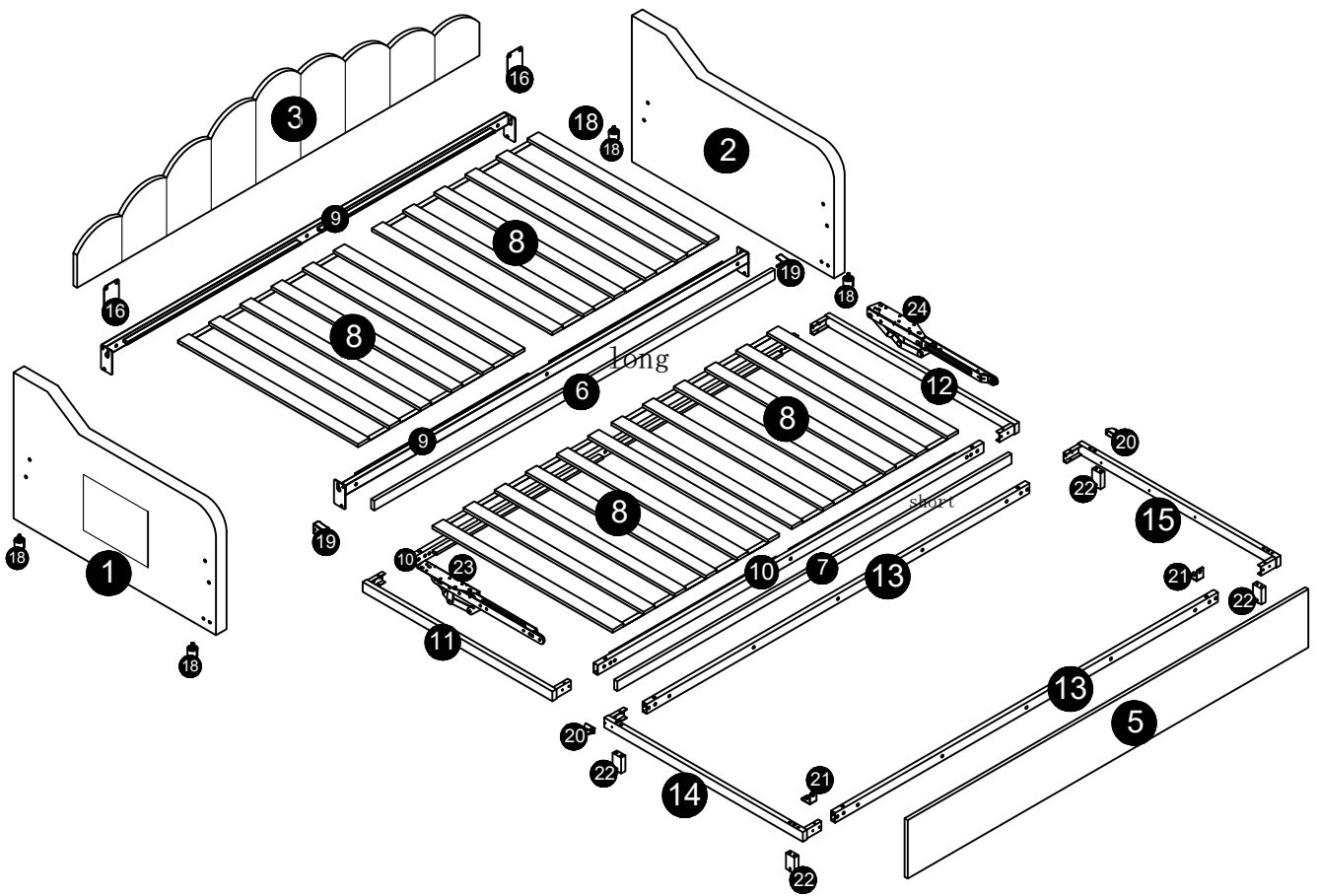
I
M5
X1



J
X1

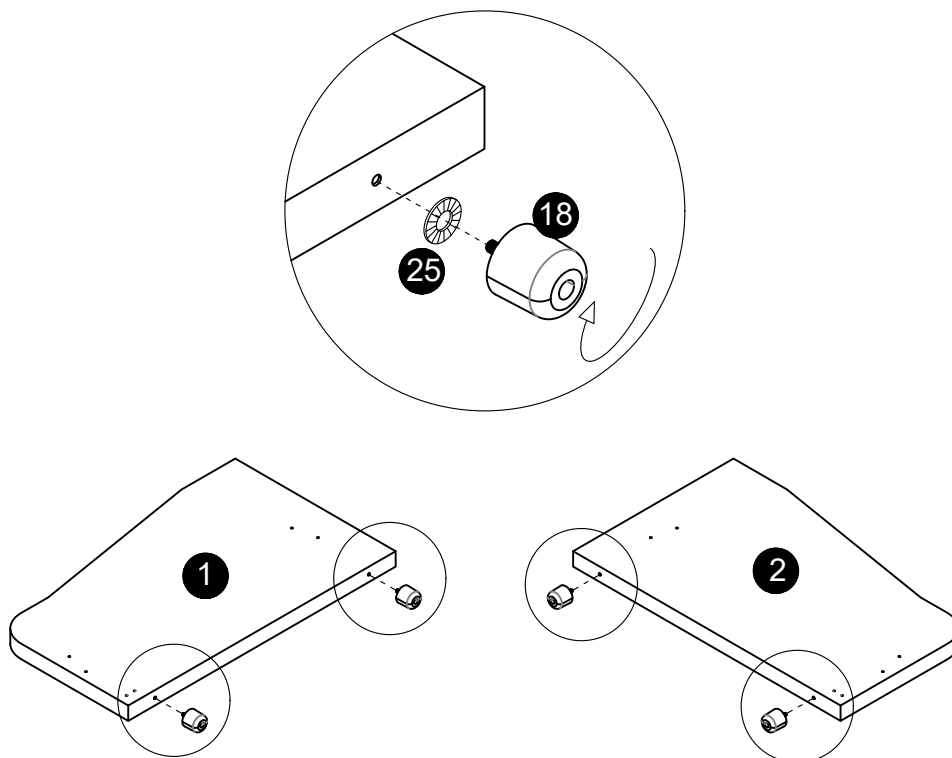
Assembly Instruction

OVERVIEW

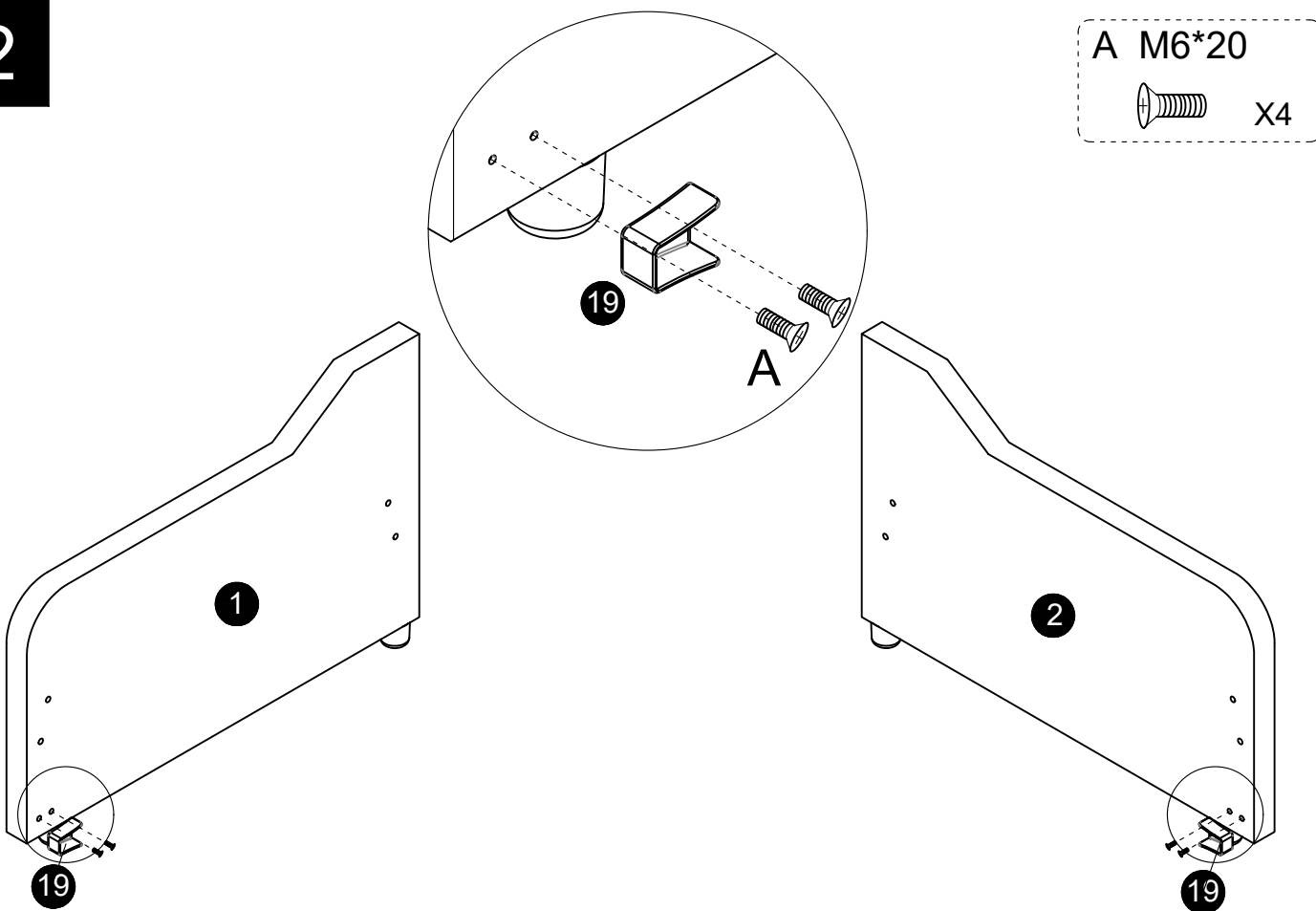


Assembly Instruction

1



2

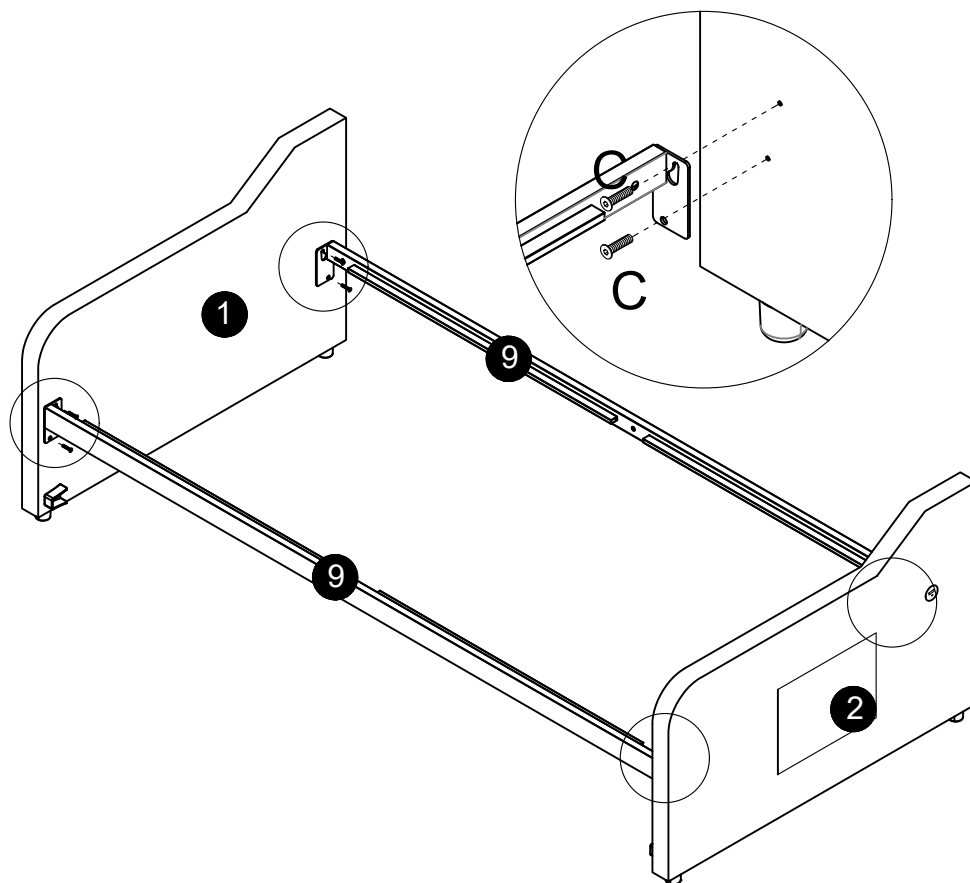


Assembly Instruction

3

C M8*20

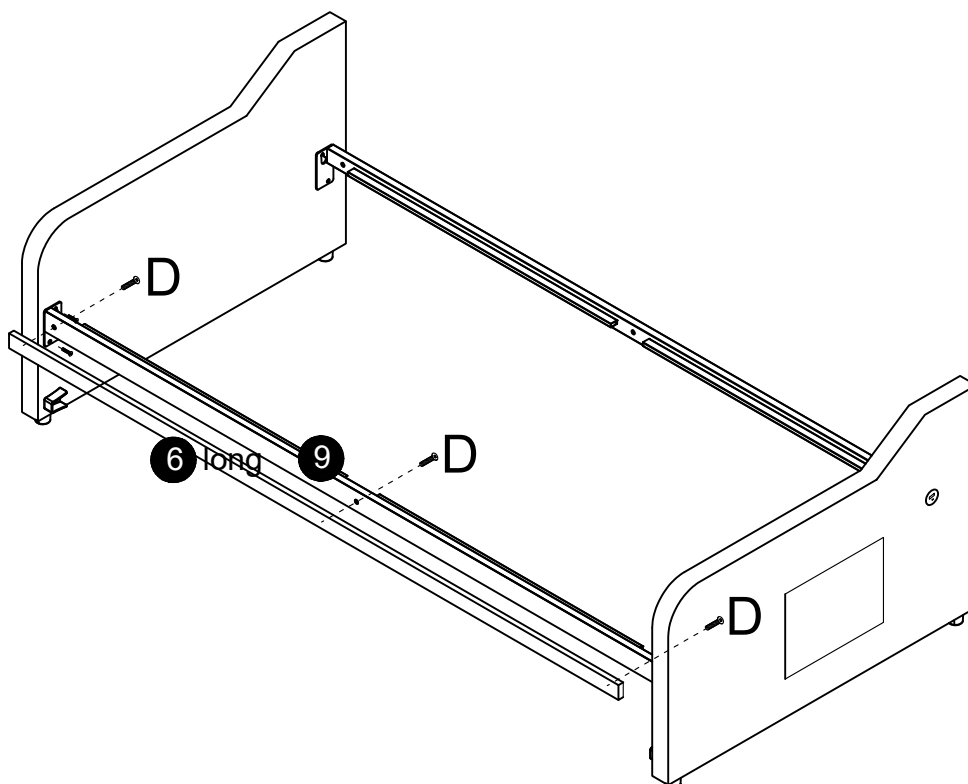
 X8



4

D M8*35

 X3

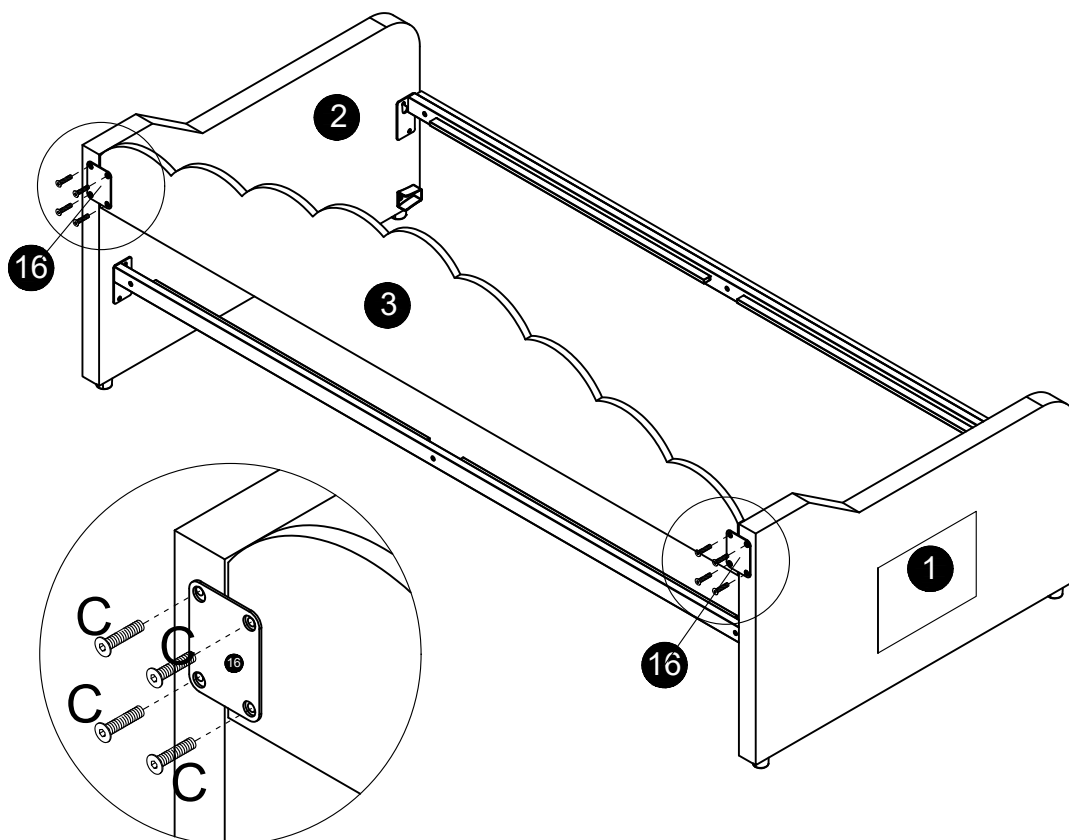


Assembly Instruction

5

C M8*20

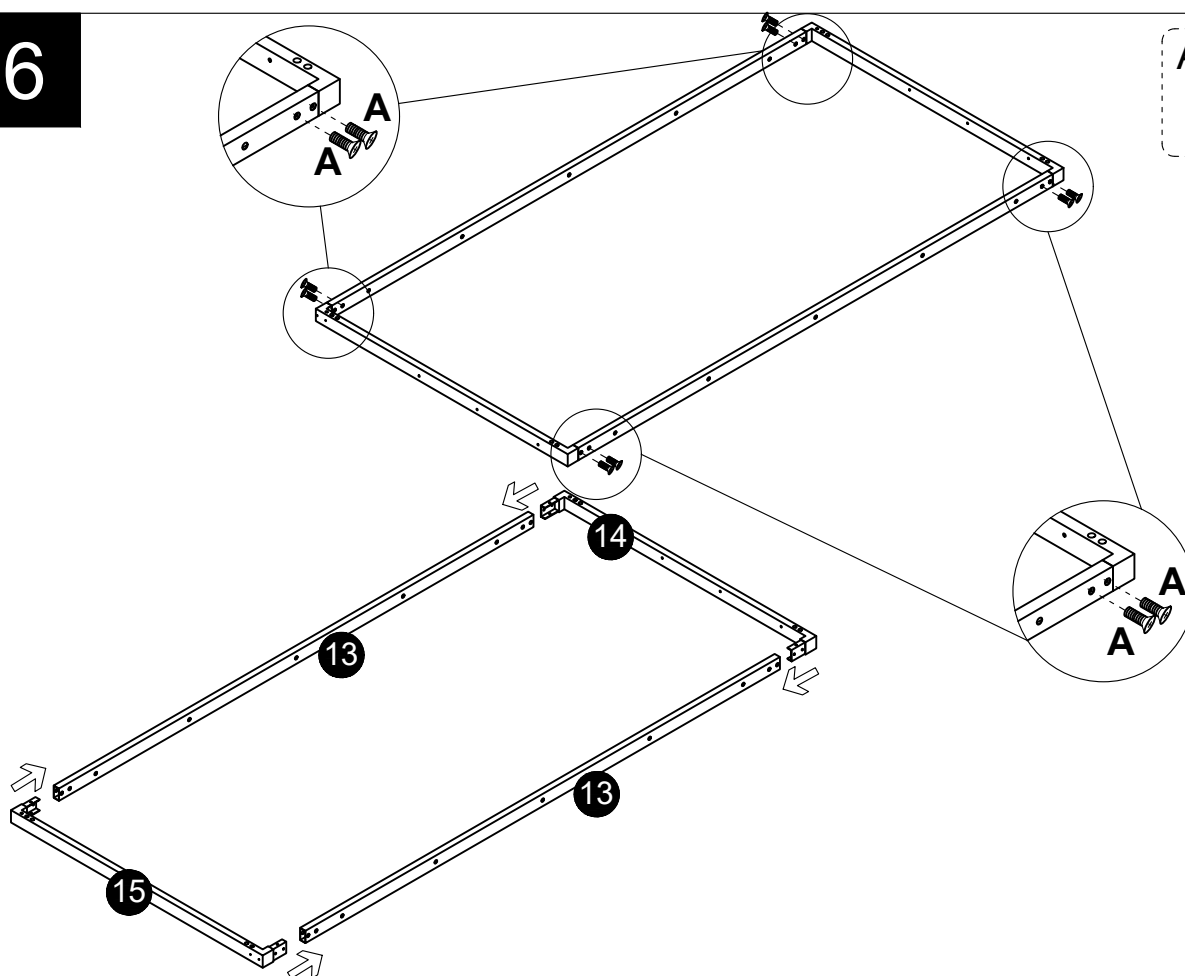
 X8



6

A M6*20

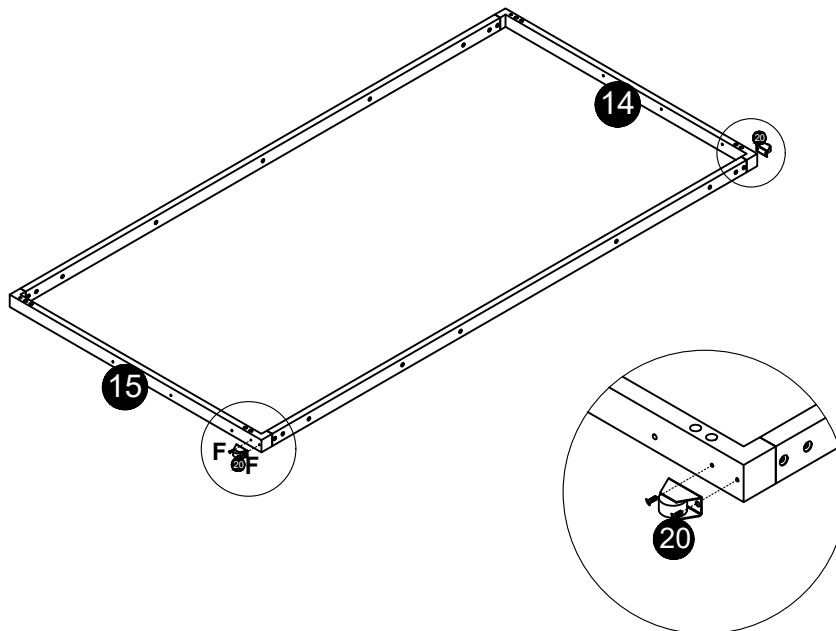
 X8



Assembly Instruction

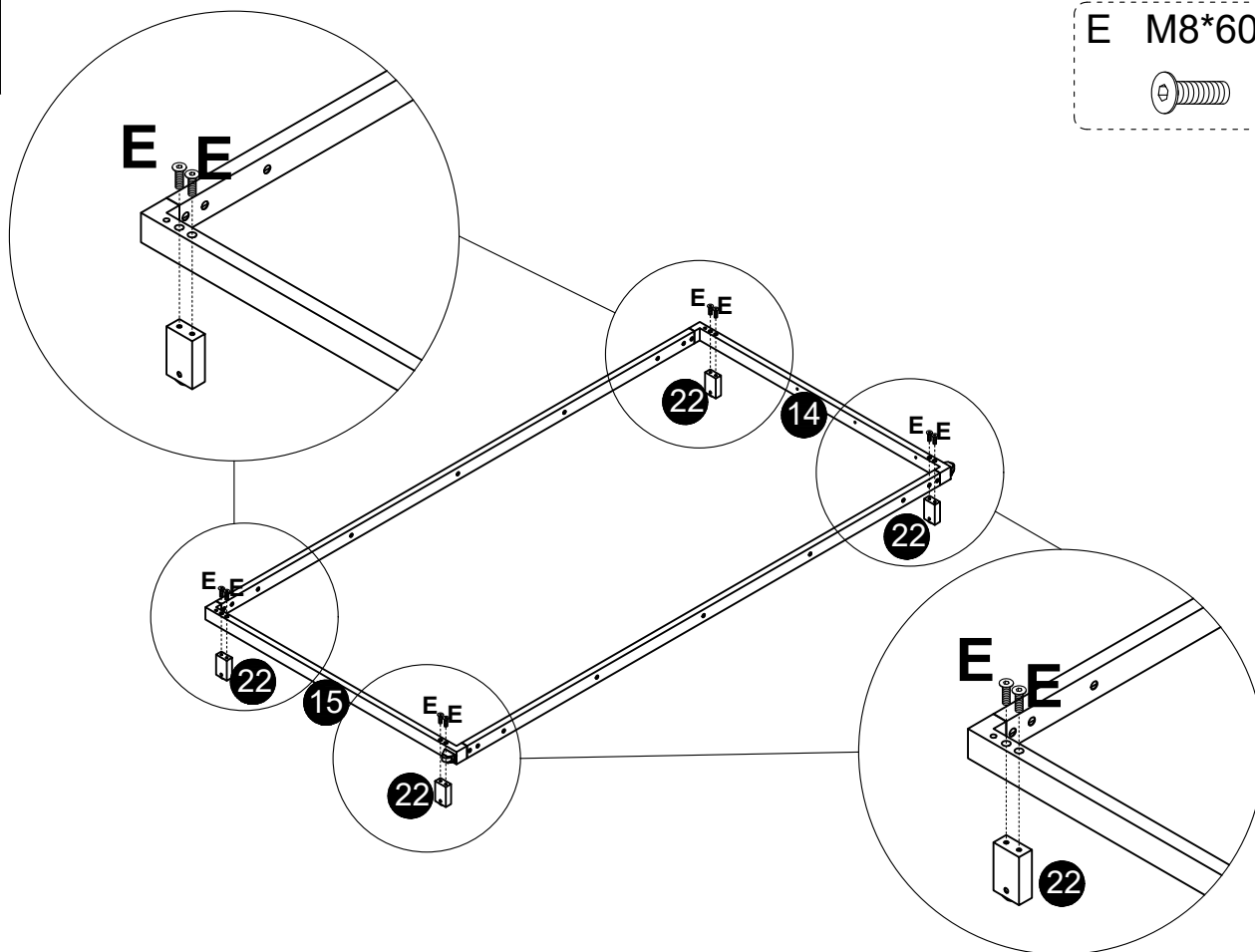
7

F M4*10



8

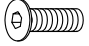
E M8*60

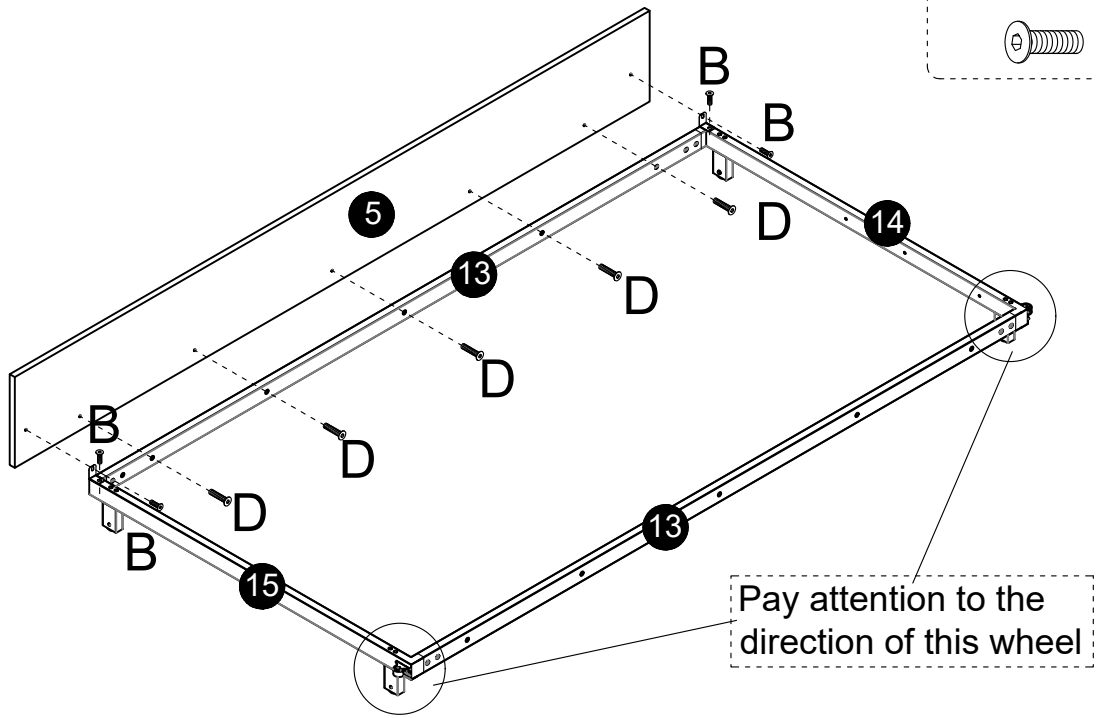


Assembly Instruction

9

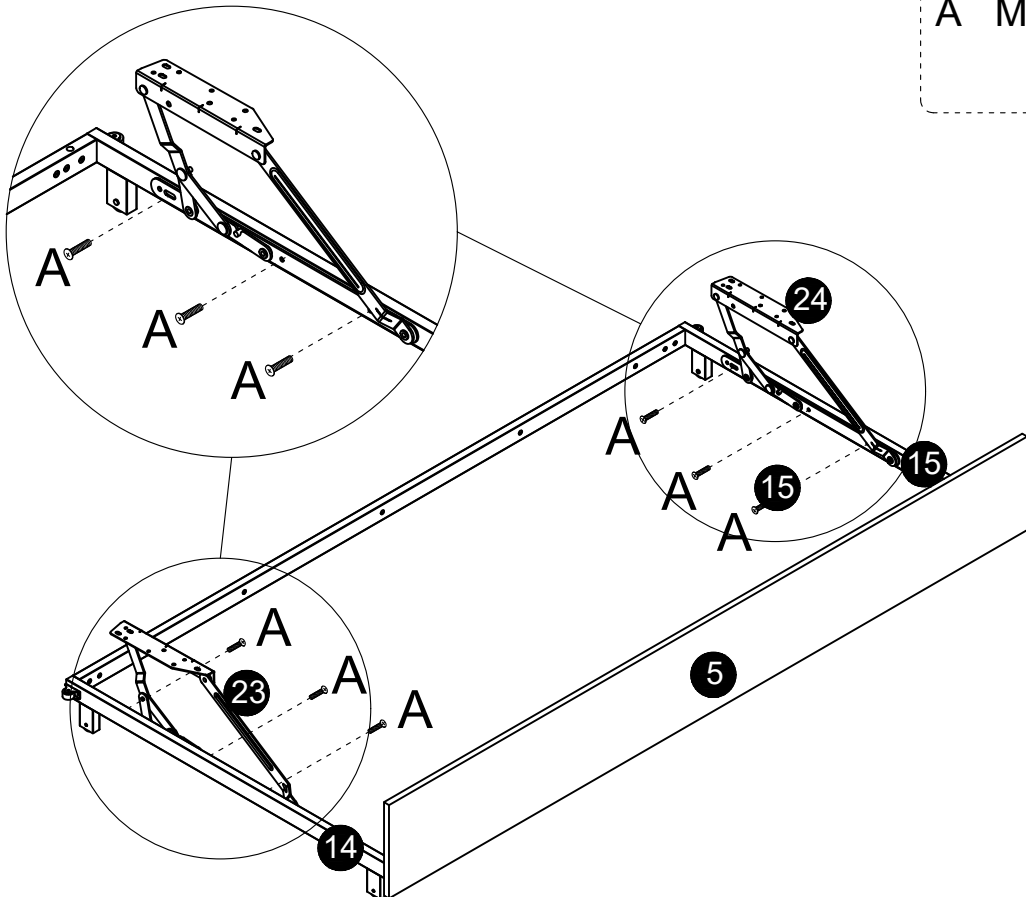
D M8*35
 X5

B M8*15
 X4



10

A M6*20
 X6



Assembly Instruction

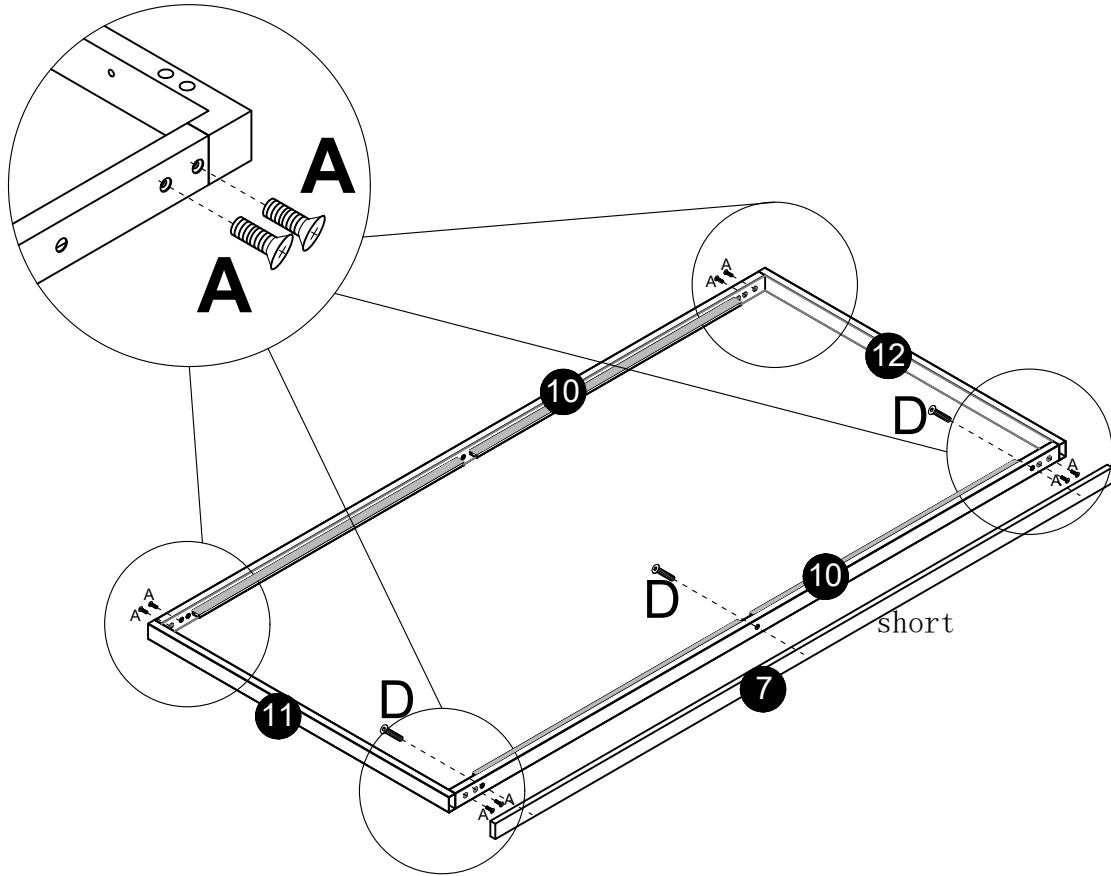
11

A M6*20

X8

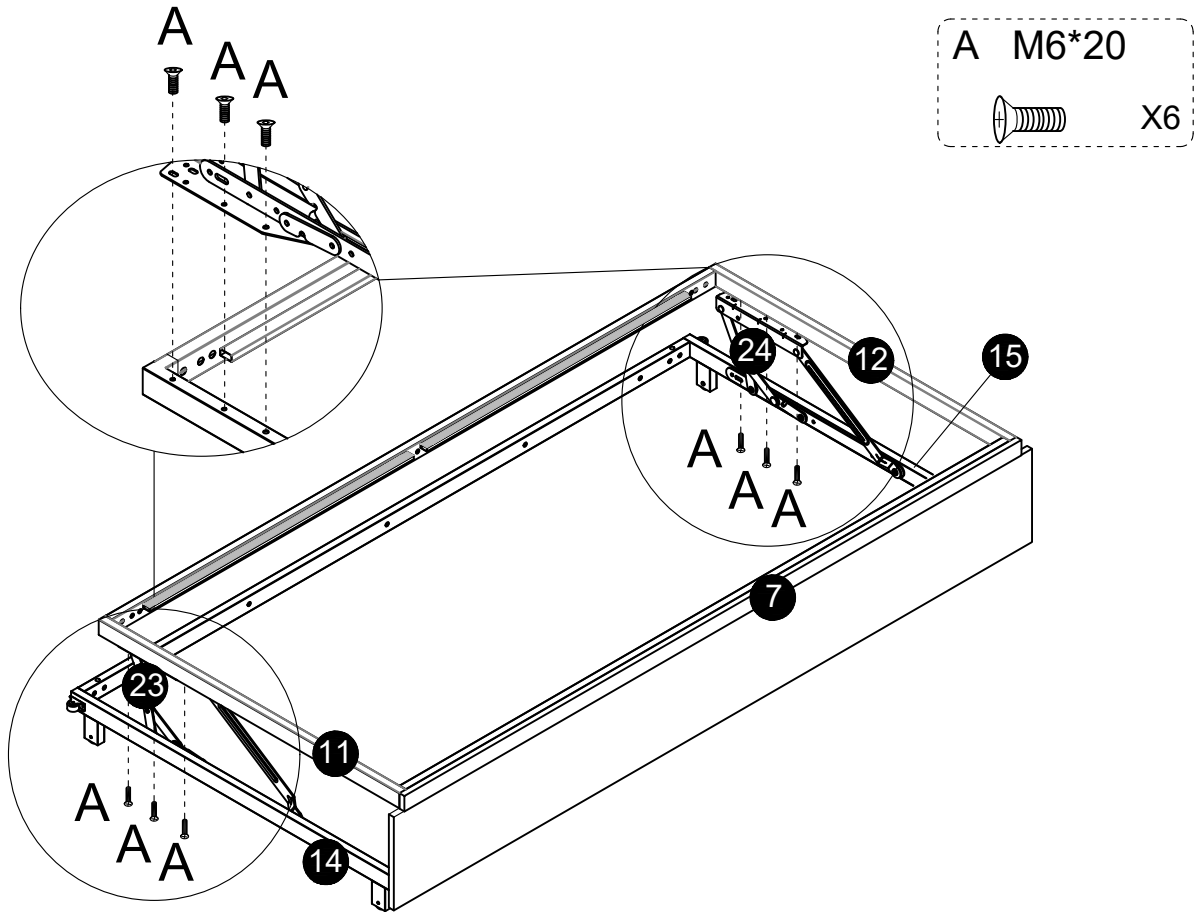
D M8*35

X3

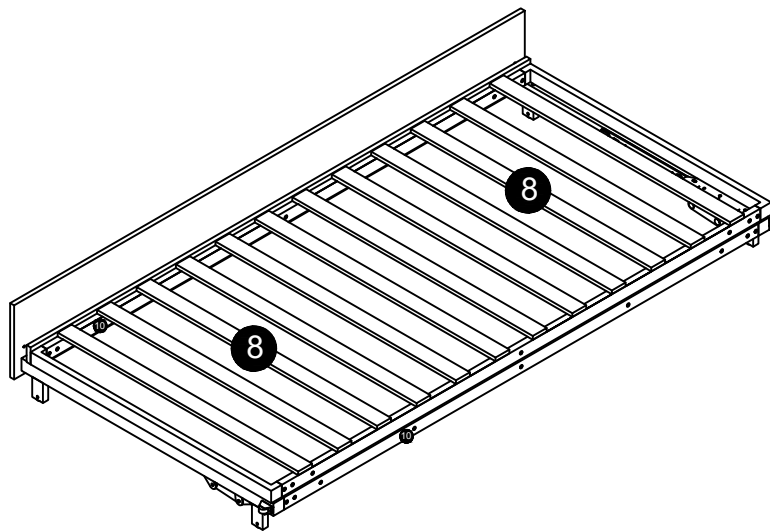


Assembly Instruction

12



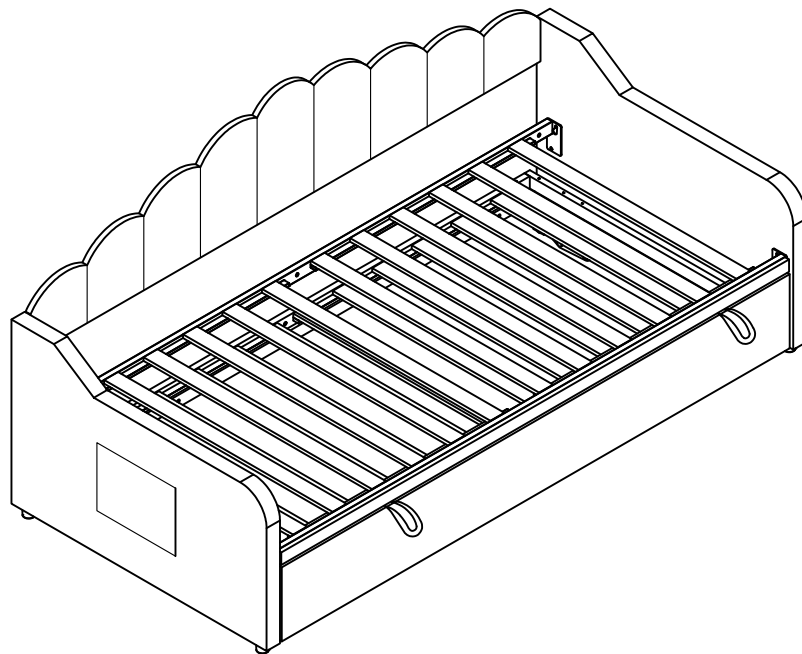
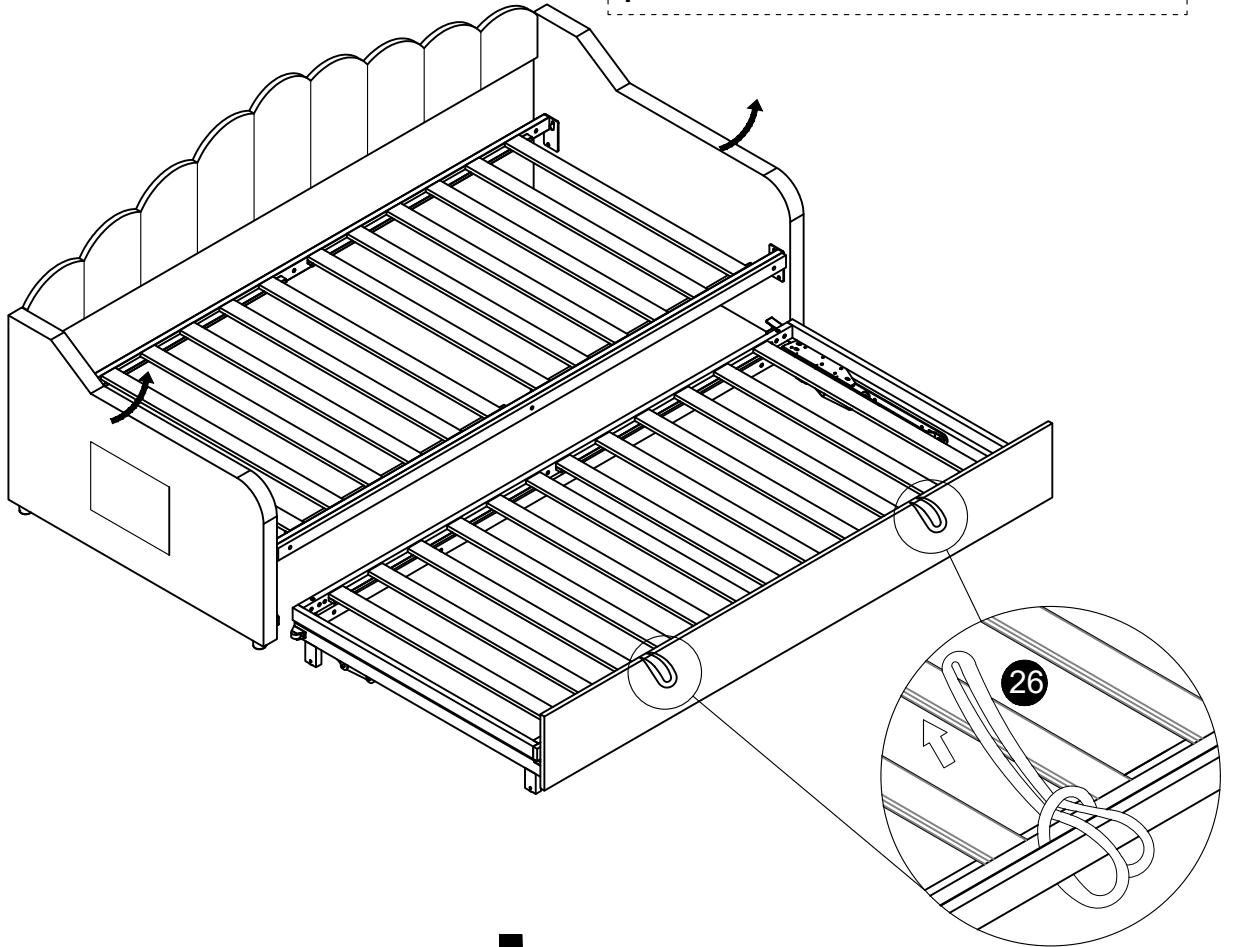
13



Assembly Instruction

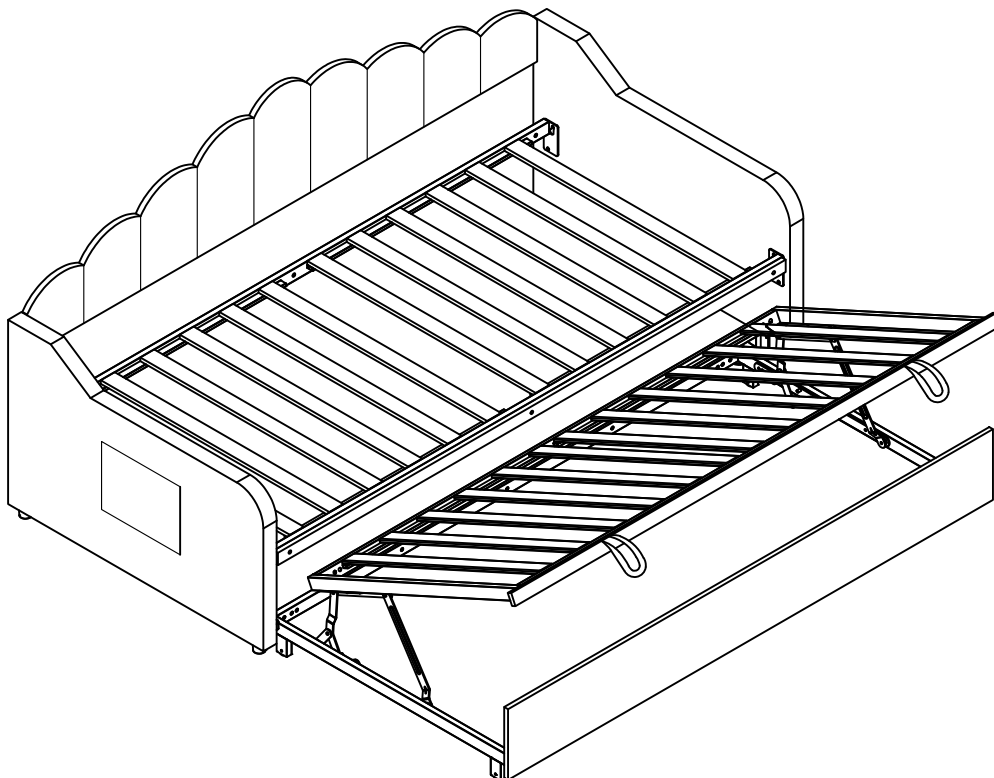
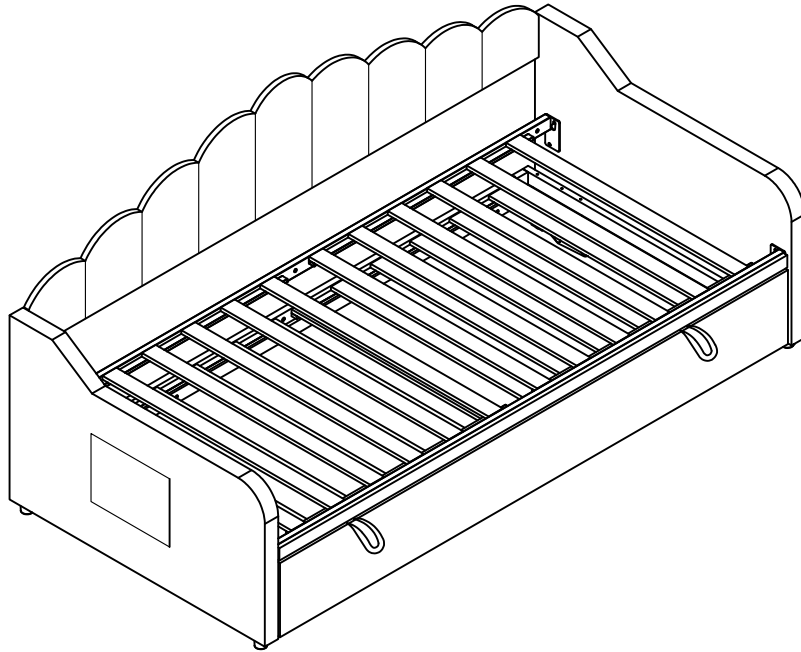
14

Lift the big bed up a bit, then push the small bed in.



Assembly Instruction

15



Registration No. : WTN25N04079438
Reference No. : WTN25N04079438E
Applicant : Guangdong Zhangong Electric Technology Co., LTD
Address : 701, Building 29, Zhifuyuan Industrial Zone, Xingtan Town, Shunde District, Foshan City, Guangdong Province
Manufacturer : Same as applicant
Address : Same as applicant
Product : Furniture socket
Model No. : ZG-USB-O01A, other details see attachment
Technical data : 250 Vac, 50 / 60 Hz, other details see attachment



Test Standards:

EN 55032:2015+A1:2020
EN 55035:2017+A11:2020
EN IEC 61000-3-2:2019+A1:2021+A2:2024
EN 61000-3-3:2013+A1:2019+A2:2021

The above product has been tested by us with the listed standards and found in compliance with the European Electromagnetic Compatibility Directive 2014/30/EU. It is possible to use CE marking to demonstrate the compliance with this EMC Directive.

EN 55032: Electromagnetic compatibility of multimedia equipment - Emission Requirements
EN 55035: Electromagnetic compatibility of multimedia equipment - Immunity requirements
EN IEC 61000-3-2: Electromagnetic compatibility (EMC) - Part 3-2: Limits - Limits for harmonic current emissions (equipment input current ≤ 16 A per phase)
EN 61000-3-3: Electromagnetic compatibility (EMC) -Part 3-3: Limits -Limitation of voltage changes, voltage fluctuations and flicker in public low-voltage supply systems, for equipment with rated current ≤ 16 A per phase and not subject to conditional connection

The referred test report(s) show that the product complies with standard(s) recognized as giving presumption of compliance with the essential requirements in the above mentioned EU Directive. Other relevant Directives have to be observed.

After preparation of the necessary technical documentation as well as the EU Declaration of Conformity, the CE marking as shown below can be affixed on the equipment under the sole responsibility of the manufacturer.



The statement is based on a single evaluation of the sample of above mentioned product. It does not imply an assessment of the whole production.

Waltek Testing Group (Ningbo) Co., Ltd.

Hotline: 400-840-2288 E-mail: nb@waltek.com.cn

Http://www.waltek.com.cn

Ver.10.24, WALTEK is registered trademark. Utilisation and application requires prior approval.



Attachment

Model list



Reference No: WTN25N04079438E

No.	Model	Rated Input	Rated Output Voltage	Max Output Current	Max Power
1.	ZG-USB-O01A	250 Vac, 50 / 60 Hz	5 Vdc	2.1 A	10 W
2.	ZG-USB-Y01A	250 Vac, 50 / 60 Hz	5 Vdc	2.1 A	10 W
3.	ZG-USB-O02A	250 Vac, 50 / 60 Hz	5 Vdc	2.1 A	10 W
4.	ZG-USB-Y02A	250 Vac, 50 / 60 Hz	5 Vdc	2.1 A	10 W
5.	ZG-USB-O01B	250 Vac, 50 / 60 Hz	5 Vdc	2.1 A	10 W
6.	ZG-USB-Y01B	250 Vac, 50 / 60 Hz	5 Vdc	2.1 A	10 W
7.	ZG-USB-O02B	250 Vac, 50 / 60 Hz	5 Vdc	2.1 A	10 W
8.	ZG-USB-Y02B	250 Vac, 50 / 60 Hz	5 Vdc	2.1 A	10 W

