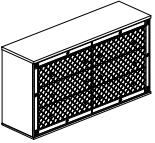




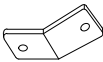


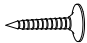
ASSEMBLY INSTRUCTION INSTRUCCIONES

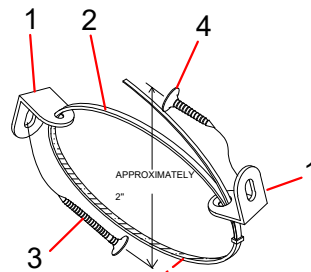
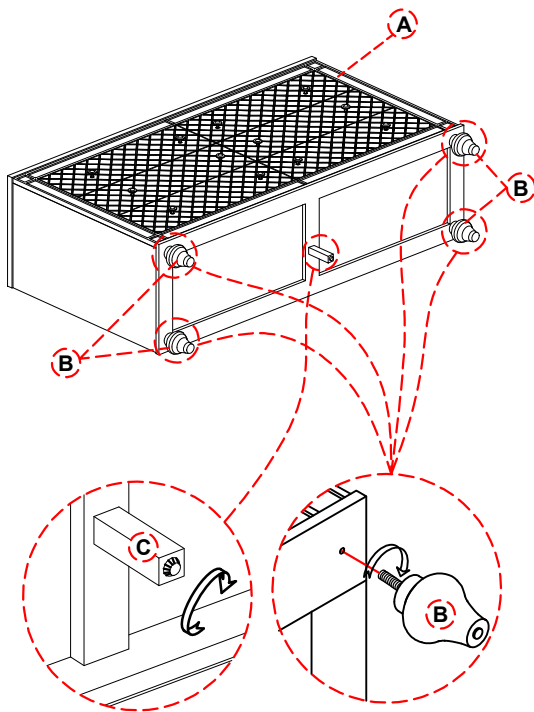
DRESSER TOCADOR

PARTS LIST LISTA DE PARTES

ANTI-TIPPING HARDWARE LIST LISTA DE HARDWARE ANTI-TIPPING

A	DRESSER / TOCADOR		1PC / PIEZA
B	LEGS / PIERNA		4PCS / PIEZAS
C	SUPPORT LEG / SOPORTE		1PC / PIEZA

1	BRACKET		2PCS / PIEZAS
2	TIE WRAP		1PC / PIEZA
3	LONG SCREW #8x2" L		1PC / PIEZA
4	SHORT SCREW #8x5/8" L		1PC / PIEZA



Anti-tipping kit is located inside
the top right hand drawer

