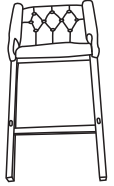

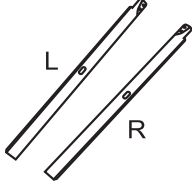
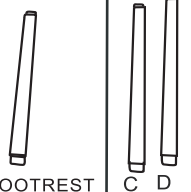

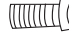





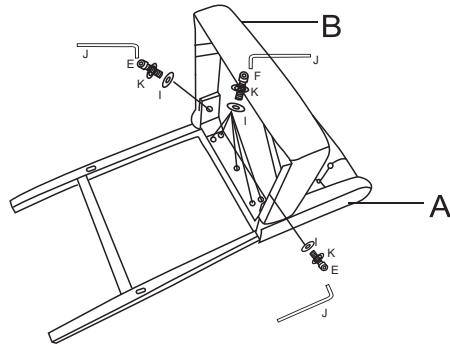


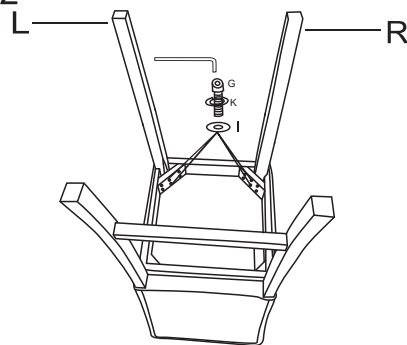
Ax1	Bx1	Cx2	Dx3	Ex2	Fx5	Gx4	Hx6	Ix11	Jx1	Kx11
BACK	SEAT	FRONT LEGS	SIDE STRETCHERS-CD FOOTREST	SCREWS	SCREWS	SCREWS	TAPPING SCREWS	WASHER	SPANNER	SPRING WASHER
										
			FOOTREST C D	M8X40mm	M8X50mm	M8X60mm	M4.5x45mm			

STEP1



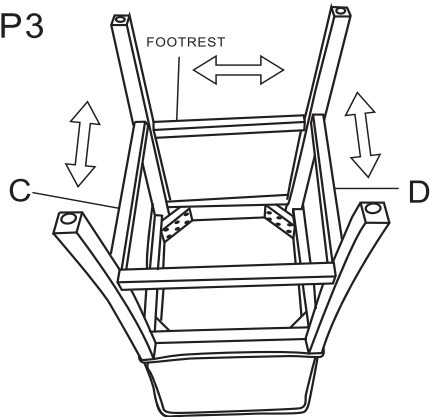
Loosely install the center bolt first, then loosely install both sides

STEP2



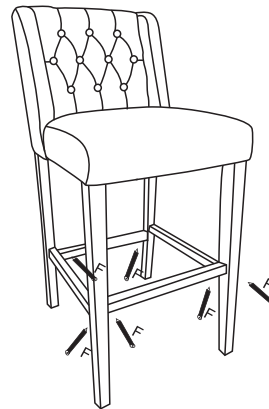
Firm pressure is required to push legs into the leg pockets

STEP3



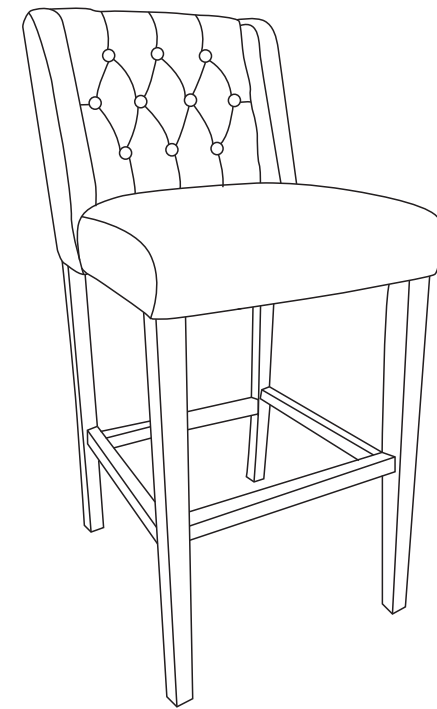
Note: Side stretchers are directional

STEP4



Tighten all bolts properly on even ground

ASSEMBLY INSTRUCTION



CLEANING OF PU/LEATHER COVER - WIPE CLEAN WITH A SOFT CLOTH MOISTENED WITH WATER AND NEUTRAL DETERGENT. DO NOT USE BLEACH, CHEMICAL OR BIOLOGICAL CLEANERS.