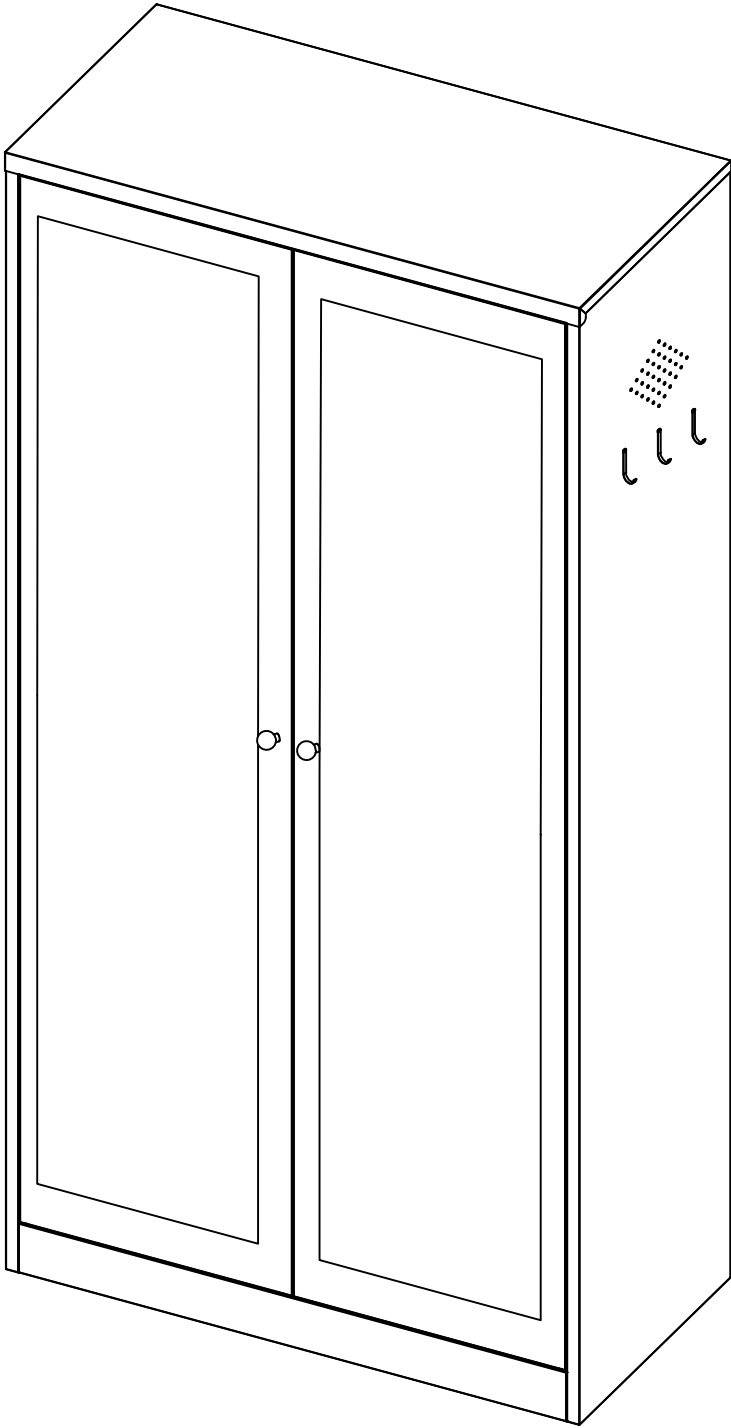
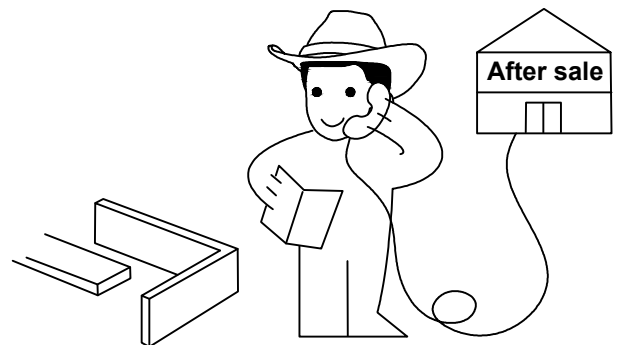
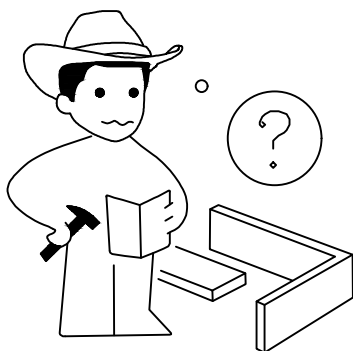
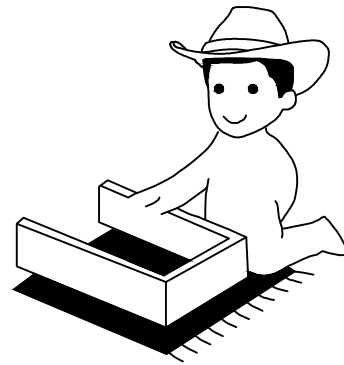
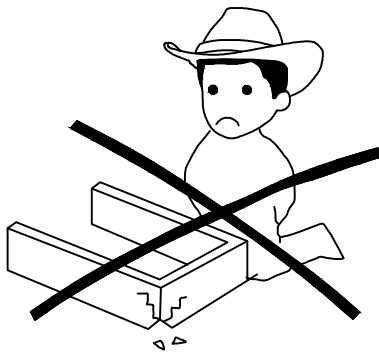
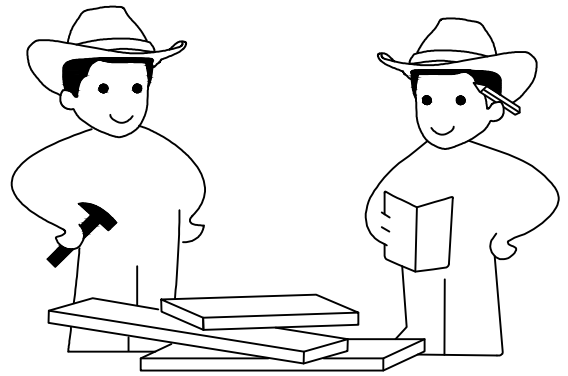
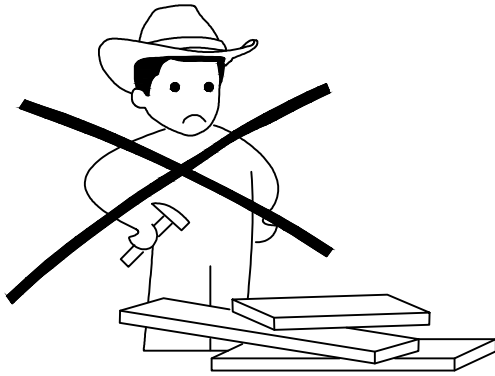
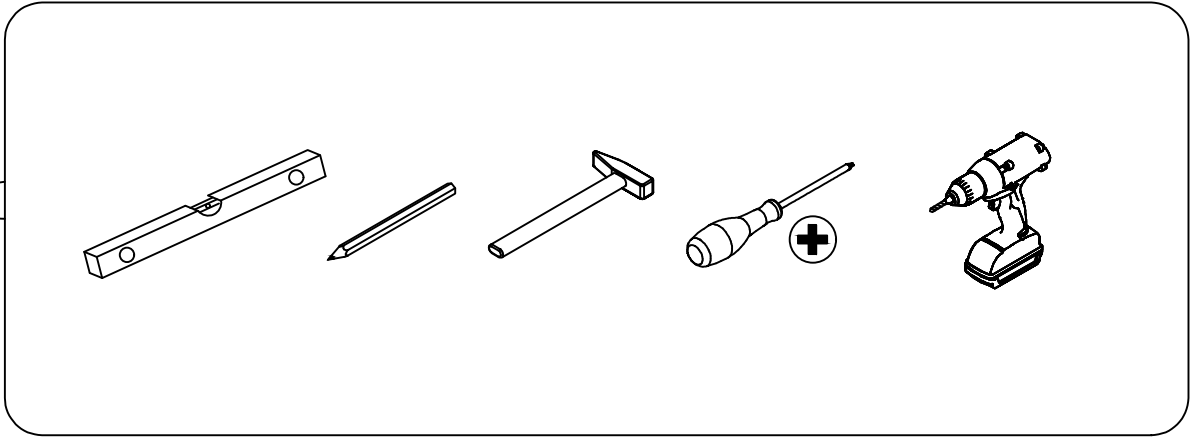
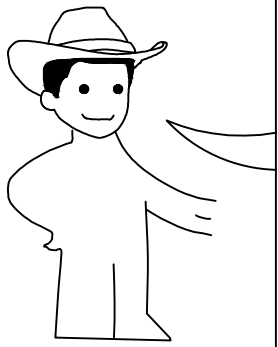


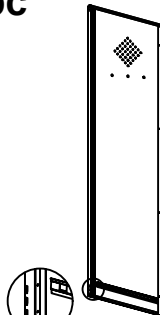
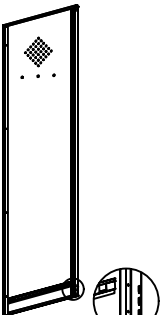
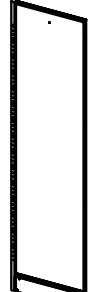
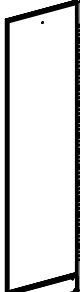
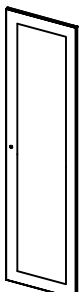
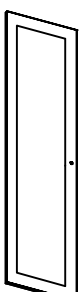
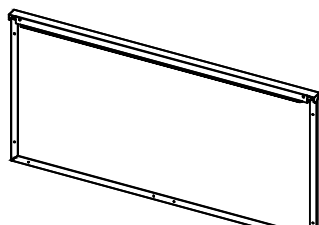
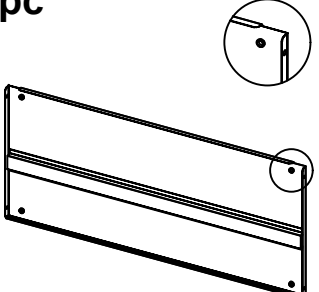
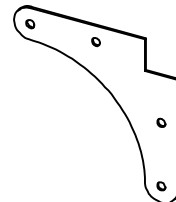
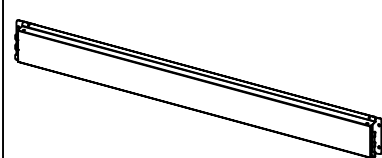
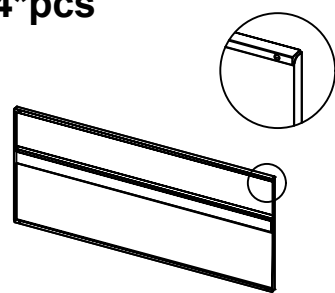

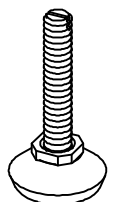


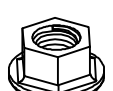


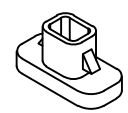
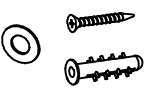
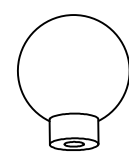
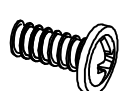



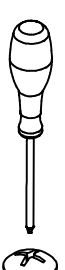


Assembly Instructions

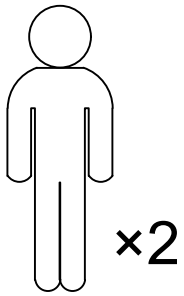
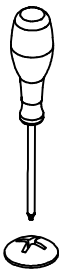
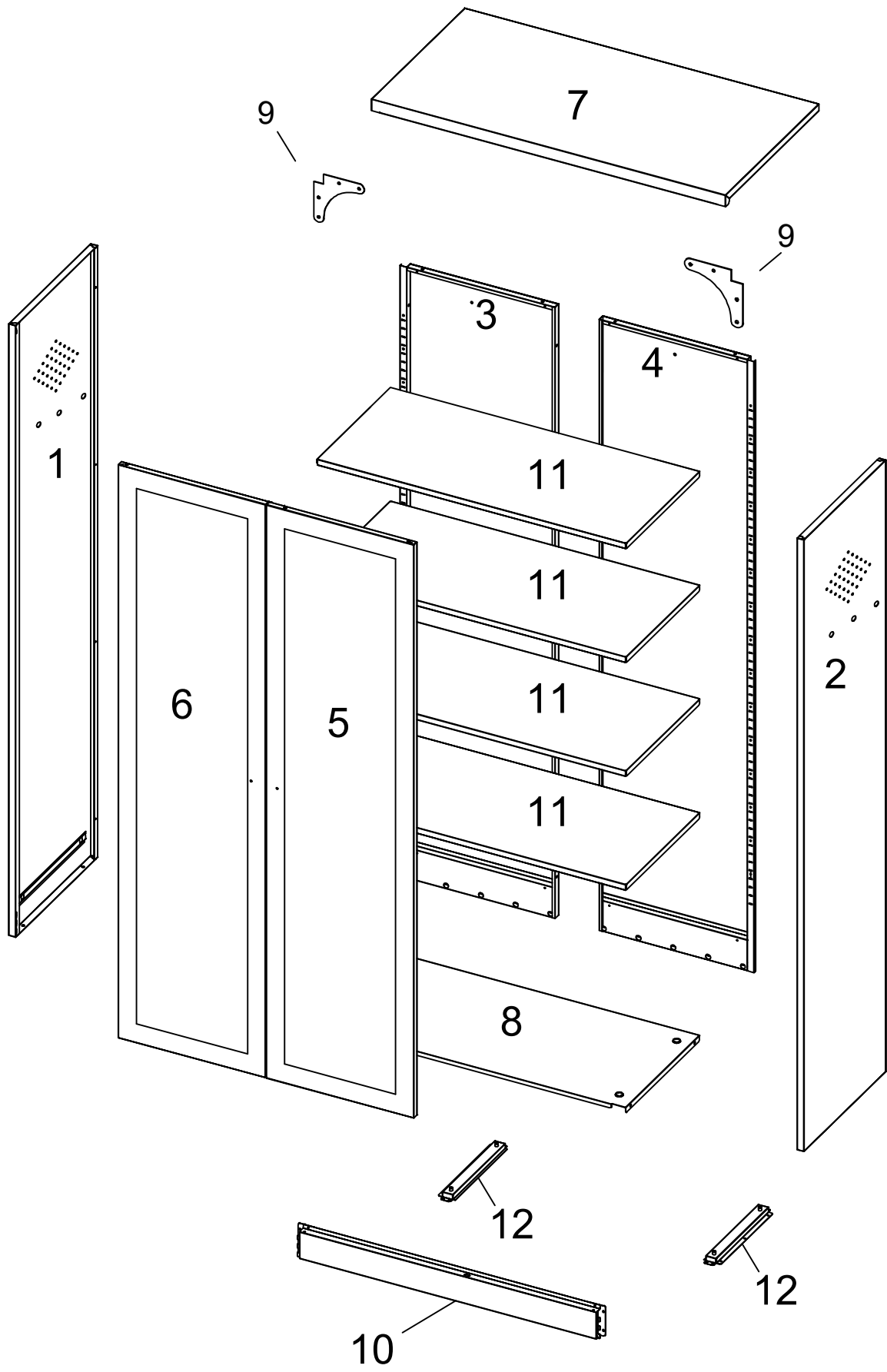


Installation video

Version 1.0

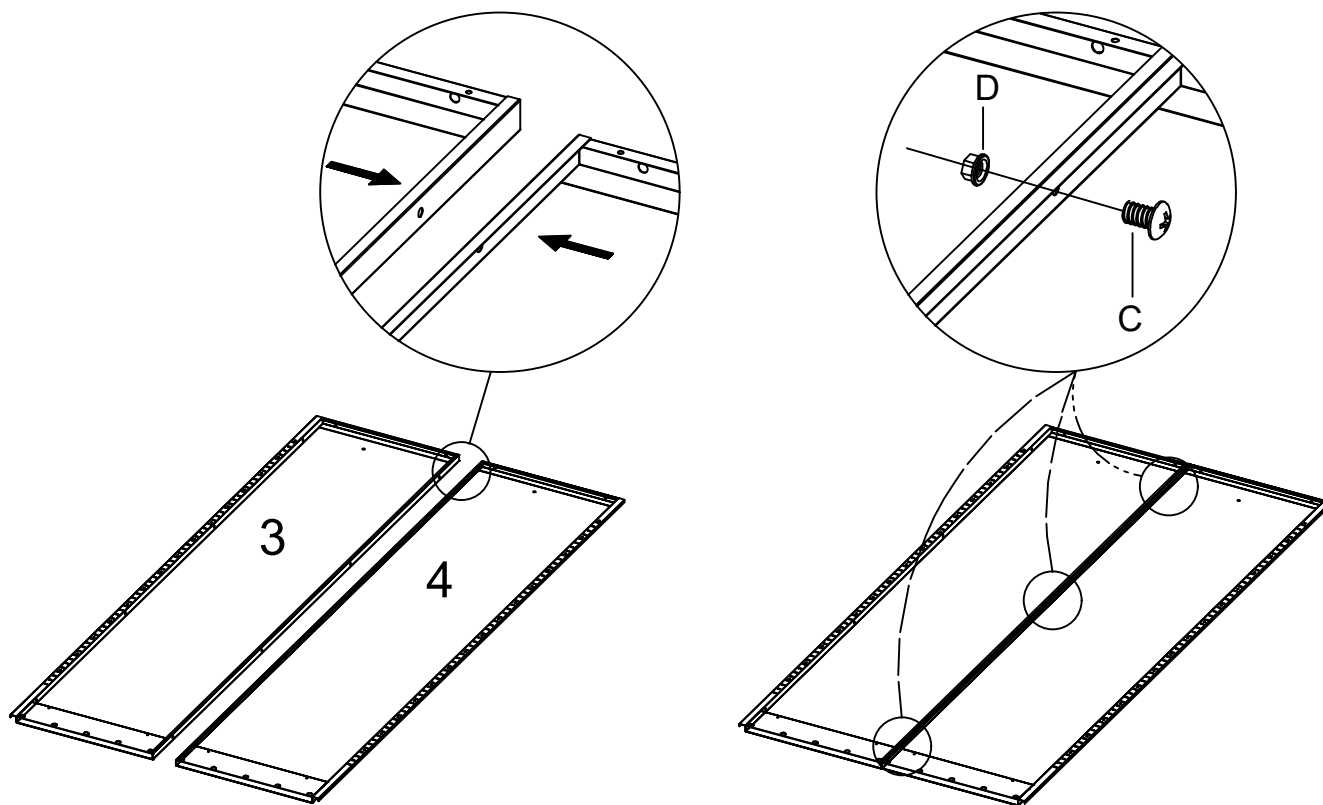


<p>1x 1*pc</p> 	<p>2x 1*pc</p> 	<p>3x 1*pc</p> 	<p>4x 1*pc</p> 				
<p>5x 1*pc</p> 	<p>6x 1*pc</p> 	<p>7x 1*pc</p> 	<p>8x 1*pc</p> 				
<p>9x 2*pcs</p> 	<p>10x 1*pc</p> 	<p>11x 4*pcs</p> 	<p>12x 2*pcs</p> 				
<p>Ax 4*pcs</p> 	<p>Bx 44*pcs</p> 	<p>Cx 3*pcs</p> 	<p>Dx 3*pcs</p> 	<p>Ex 16*pcs</p> 	<p>Fx 2*pcs</p> 	<p>Gx 4*pcs</p> 	<p>Hx 2*pcs</p> 
<p>Ix 2*pcs</p> 	<p>Jx 2*pcs</p> 	<p>kx 2*pcs</p> <p>Standby Application</p> 	<p>Mx 6*pcs</p> 	<p>Nx 4*pcs</p> 	<p>Ox 1*pc</p> 	<p>Px 1*pc</p> 	<p>Qx 1*pc</p> 



1

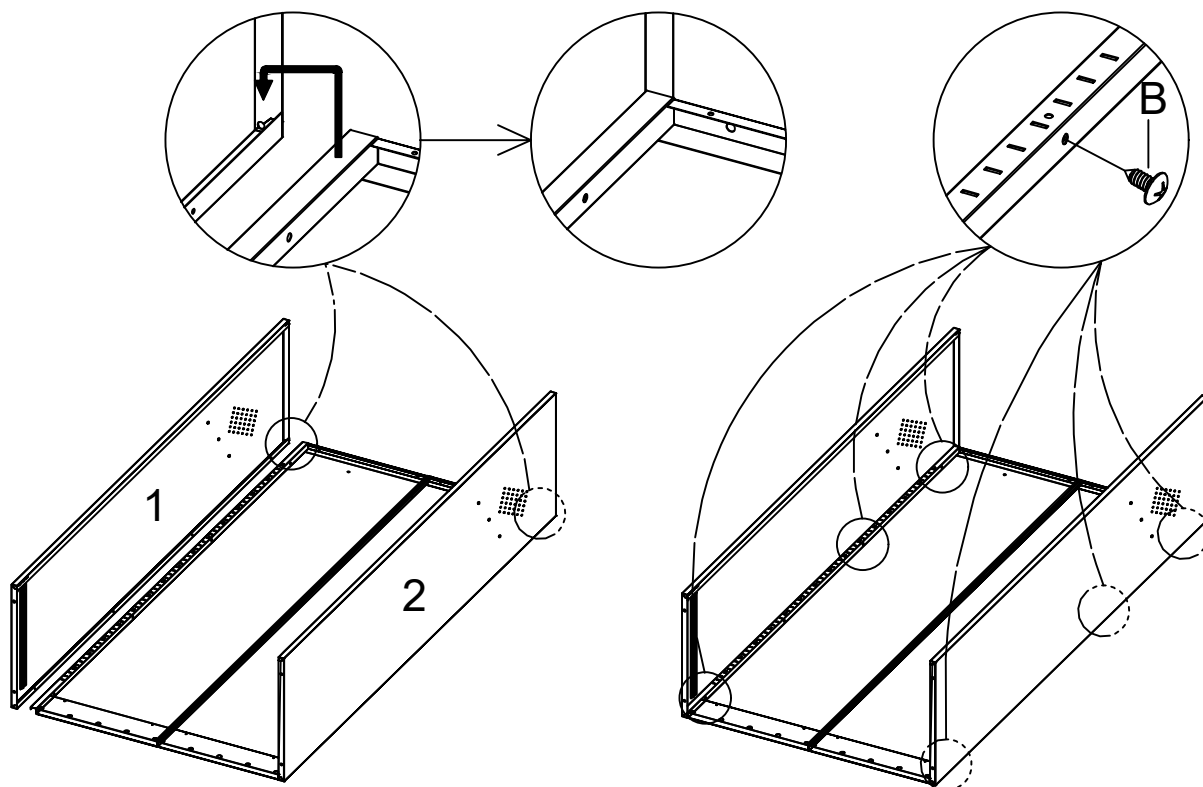
Put the two rear walls together and put three bolts and nuts to hold them in place.




Cx3  Dx3 

2

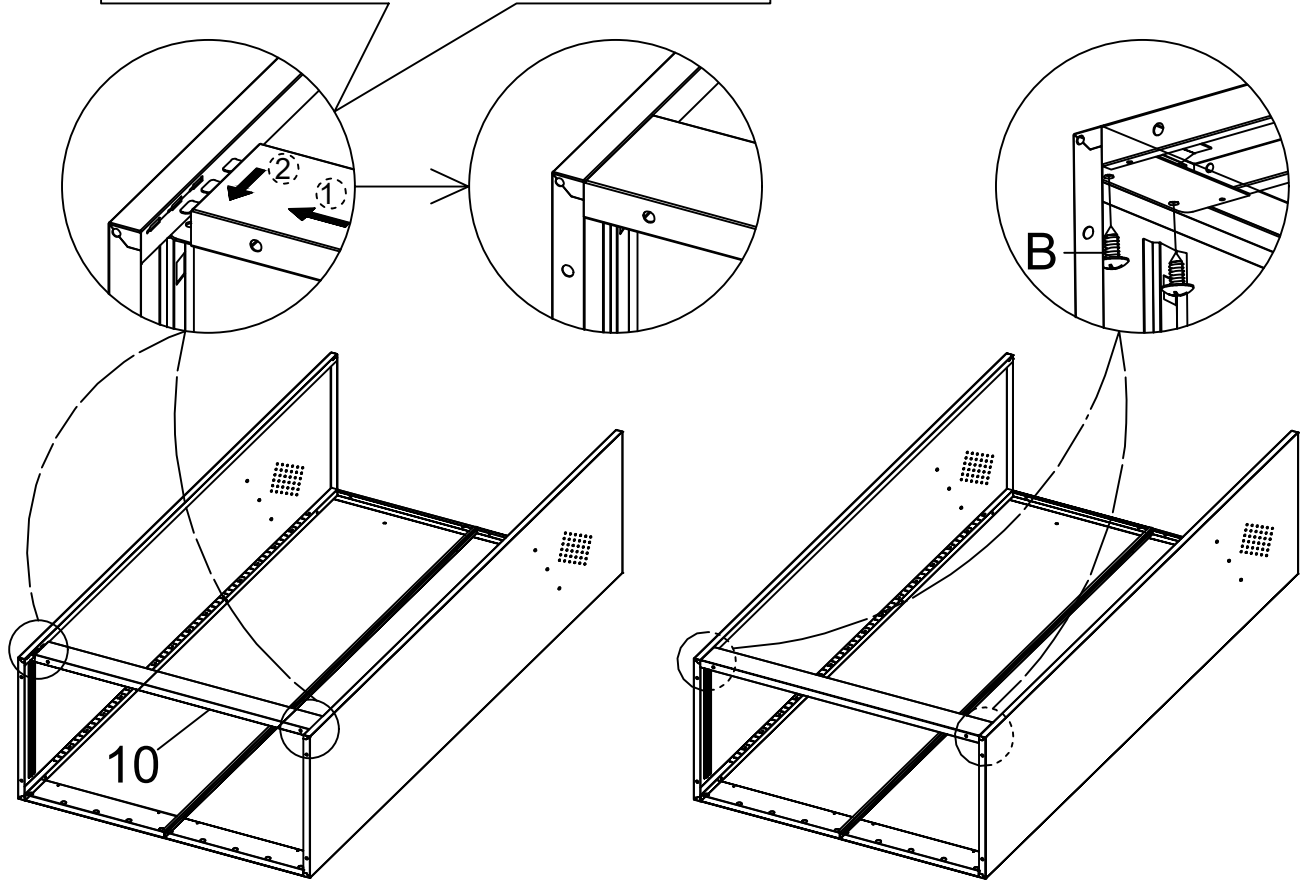
Simply overlap each sidewall in the channel of the rear wall and put three screws on each side to hold them in place.



Bx6 

3

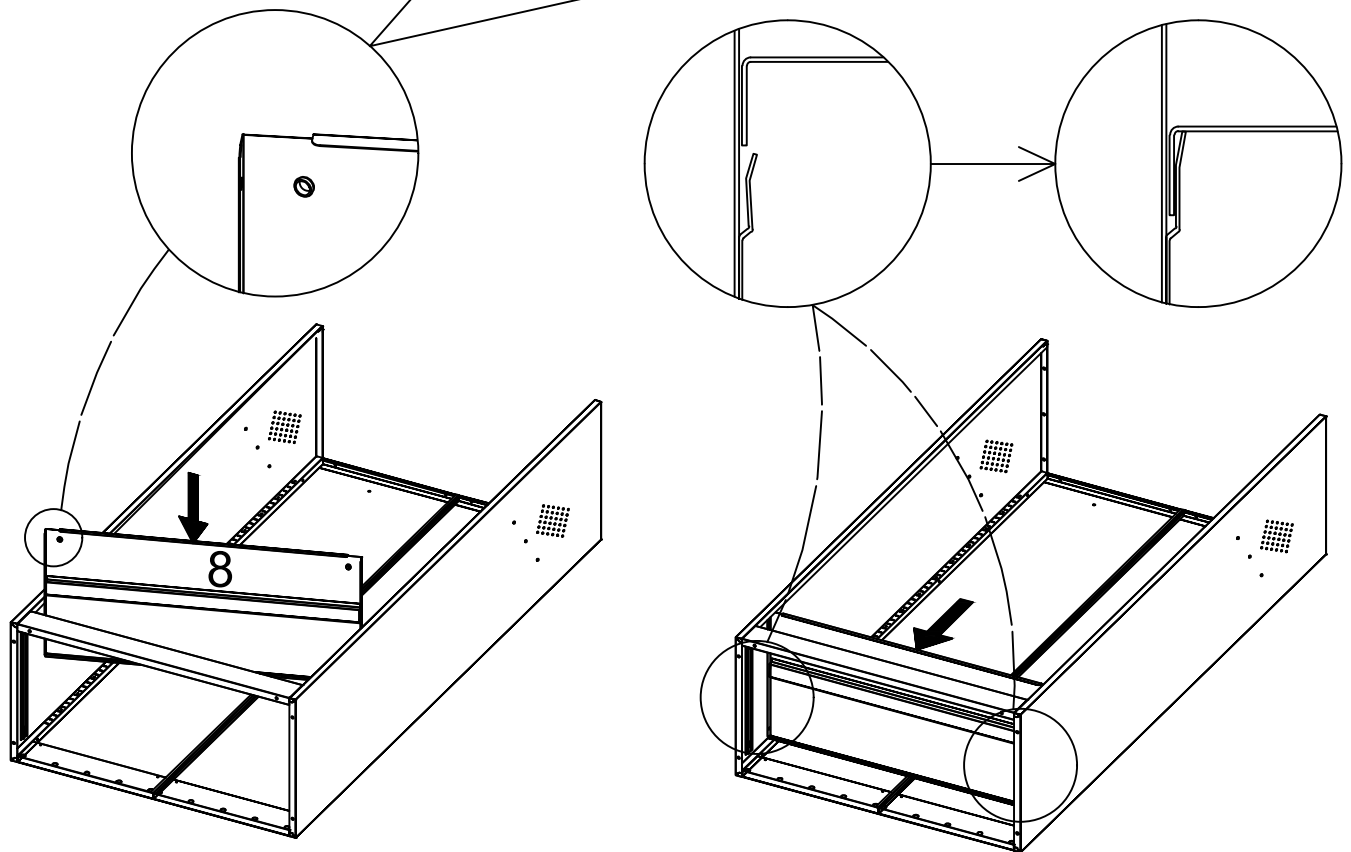
Snap the three buckles on either side of Part 10 into the three holes in both side panels and then push it down so that it snaps into the bottom of the cabinet.



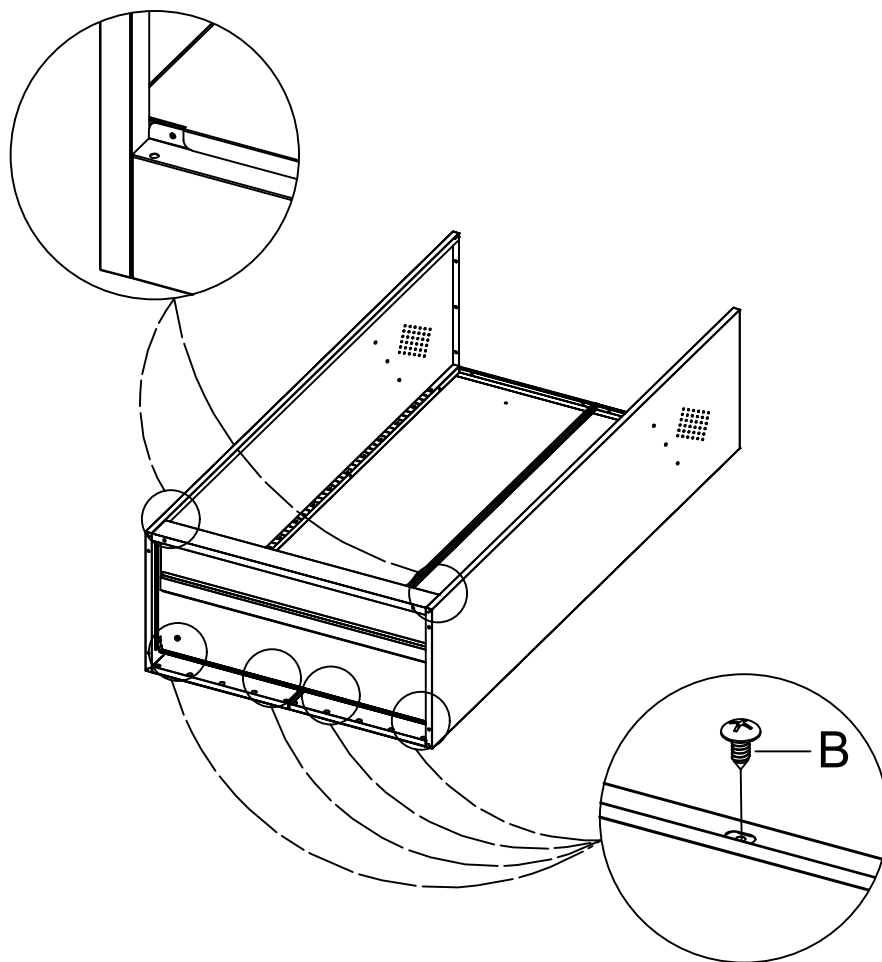
B×4 


4

When placing Part 8, place the notched side facing forward.

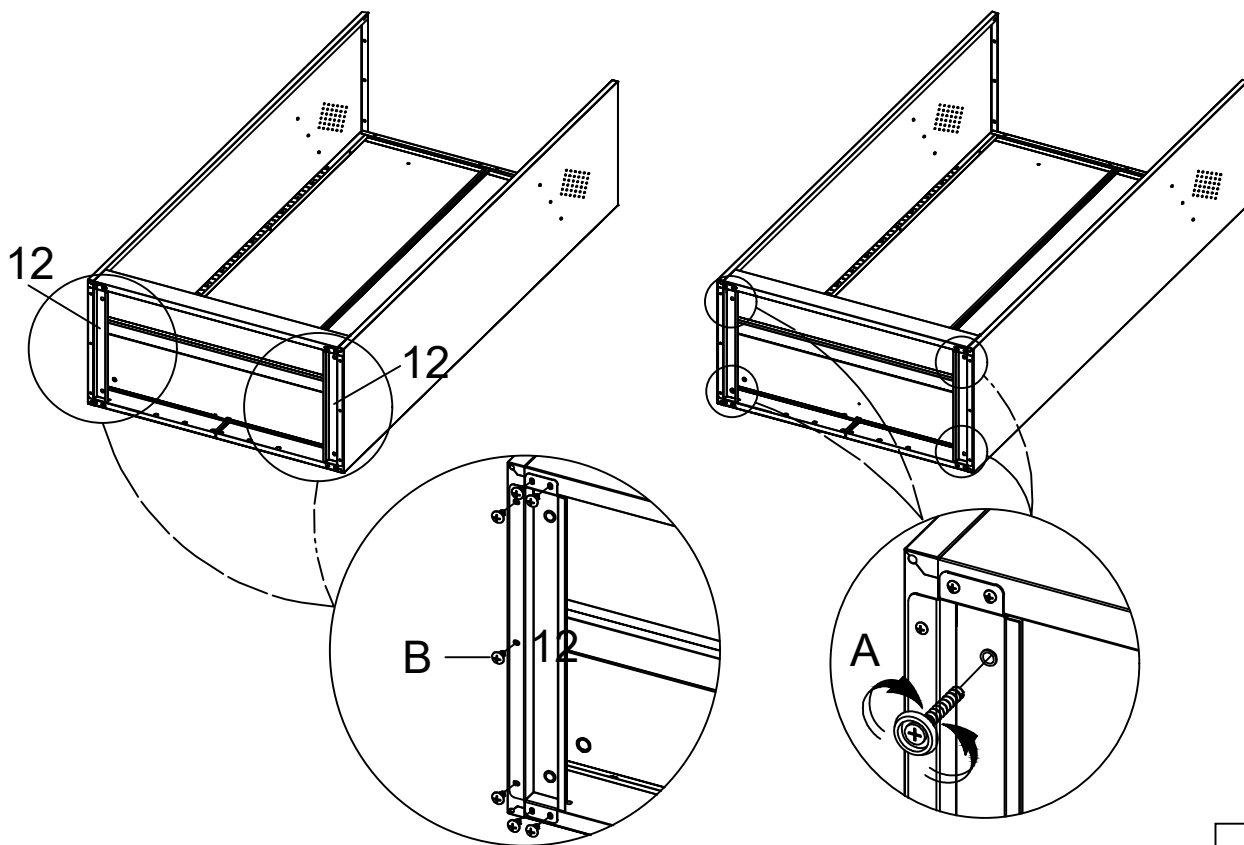



5



B×4 

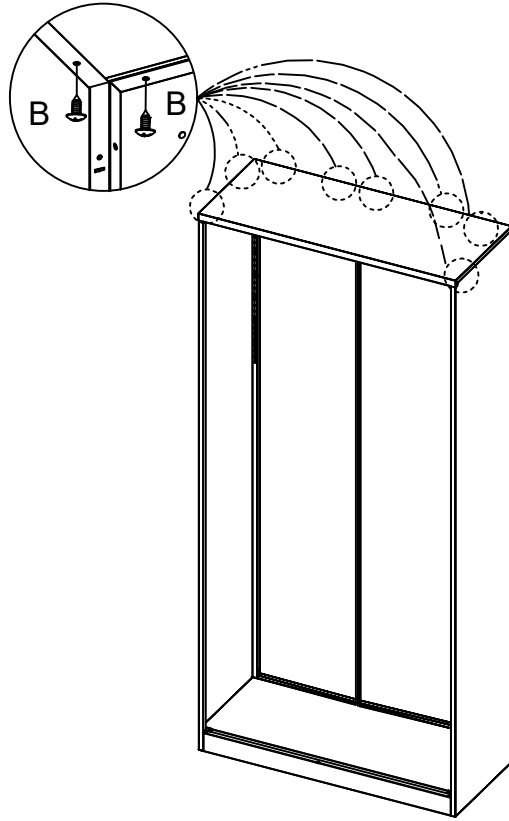
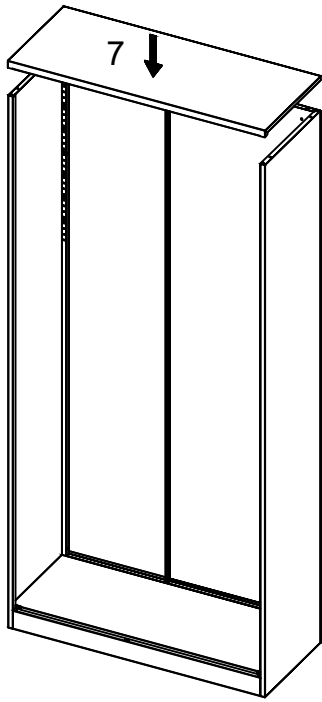
6



A×4 

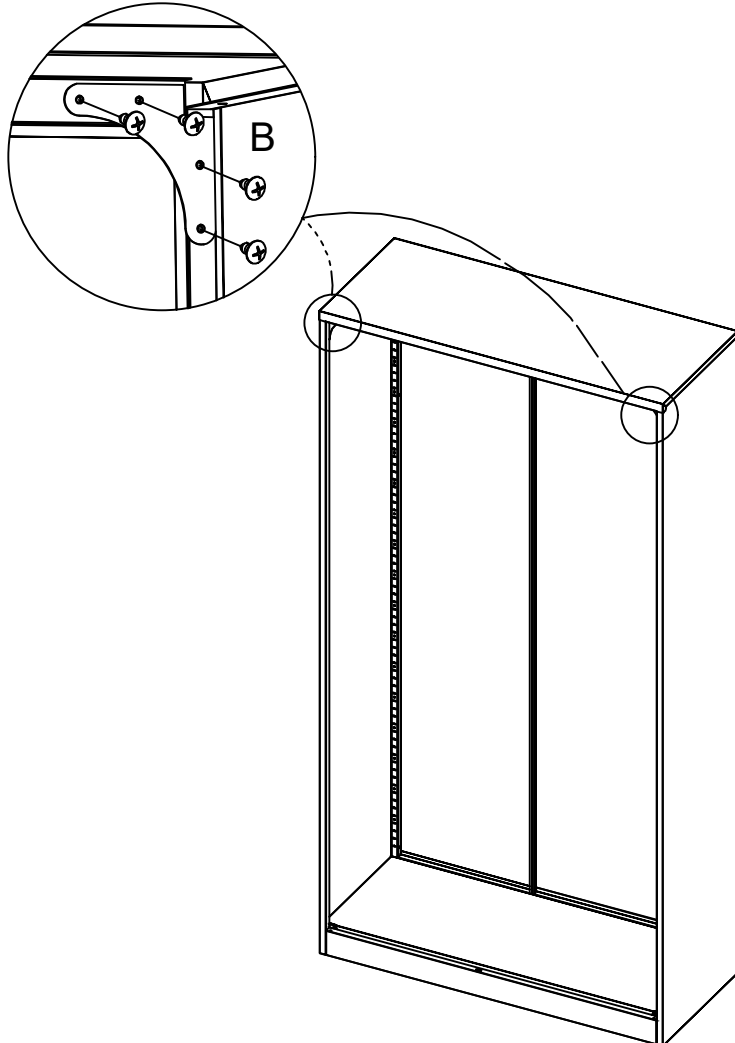
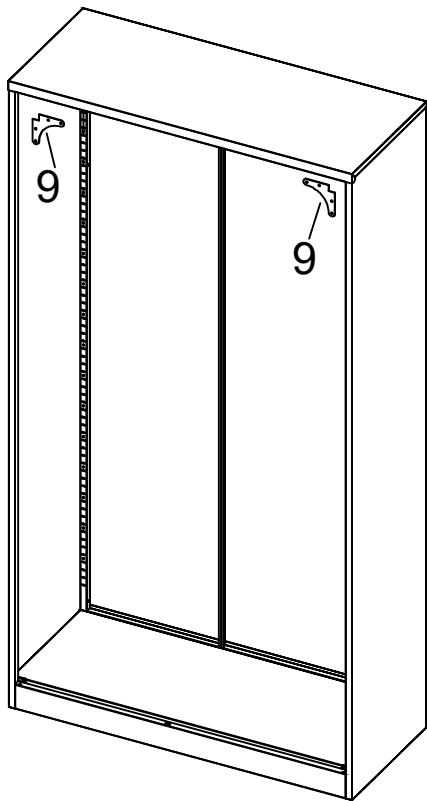
B×14 


7



B×8 

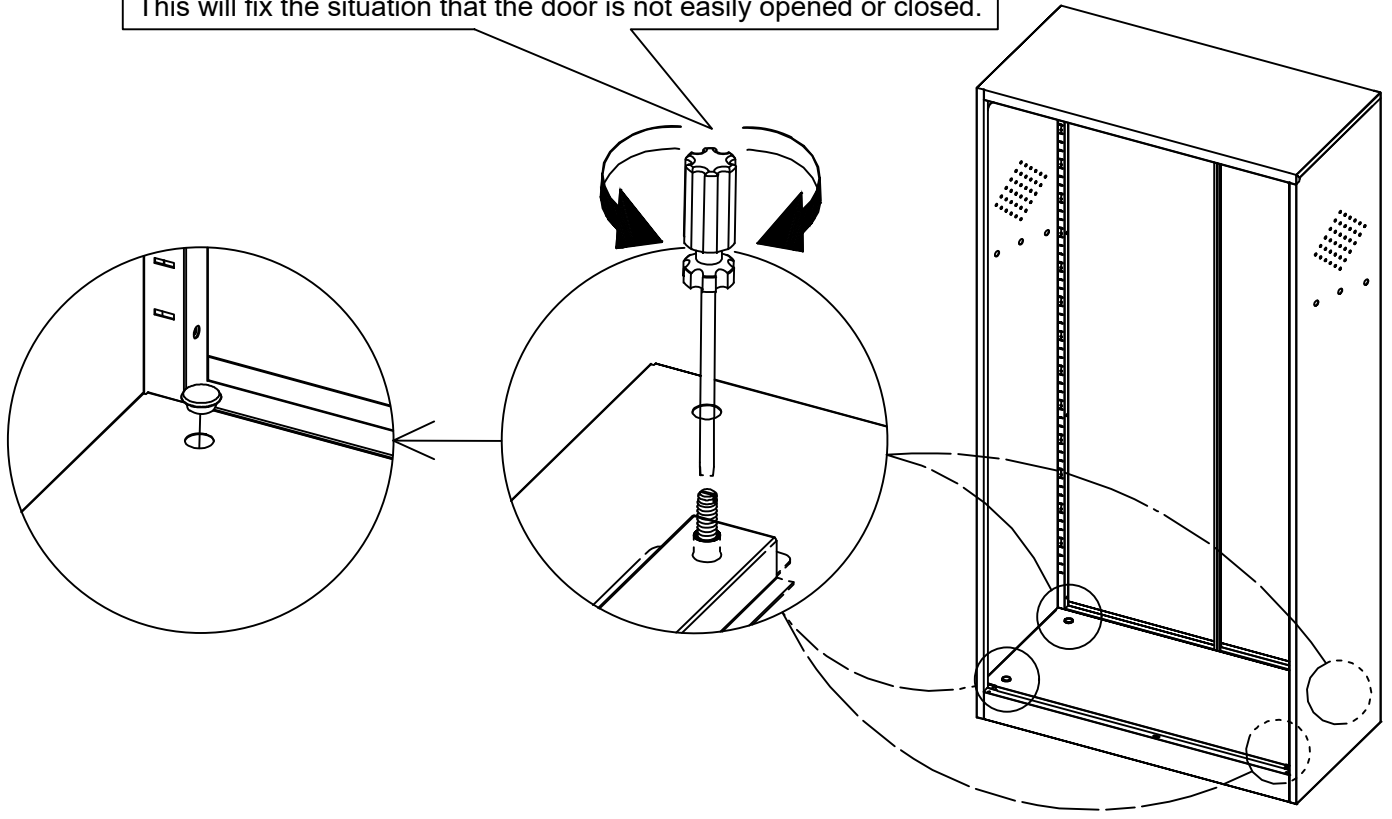
8



B×8 

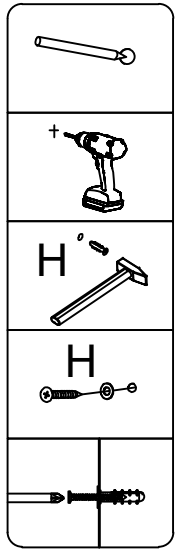
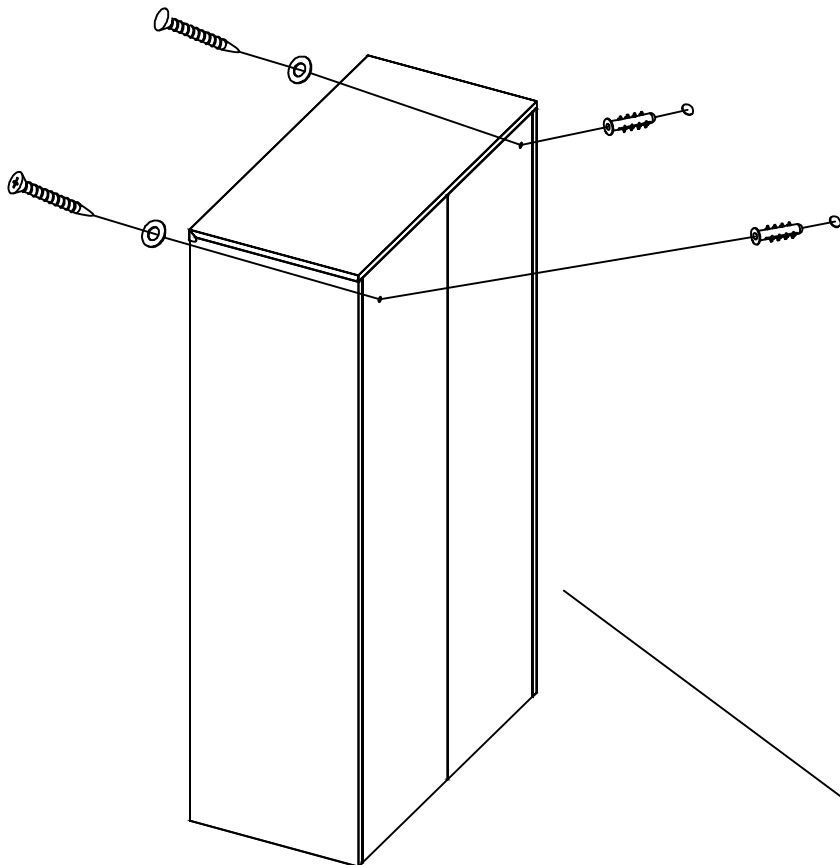
9

If the ground is uneven, it can be adjusted by rotating the screw A. This will fix the situation that the door is not easily opened or closed.

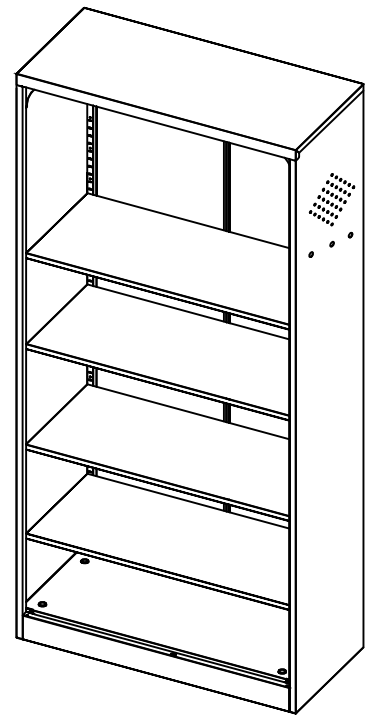
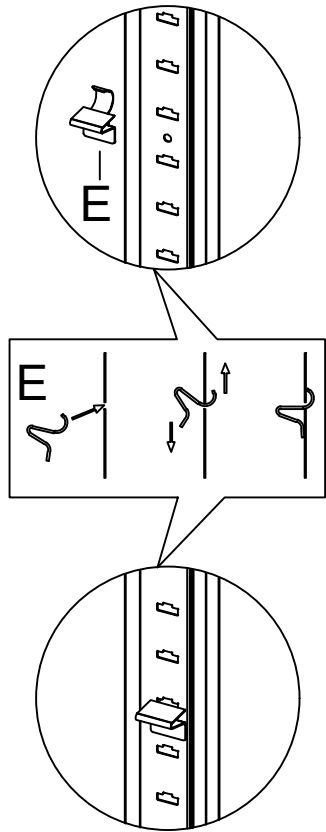
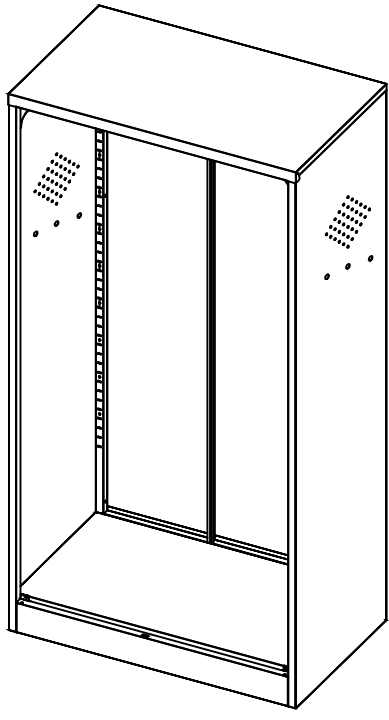



10

The cabinet can be fixed to the wall as needed.

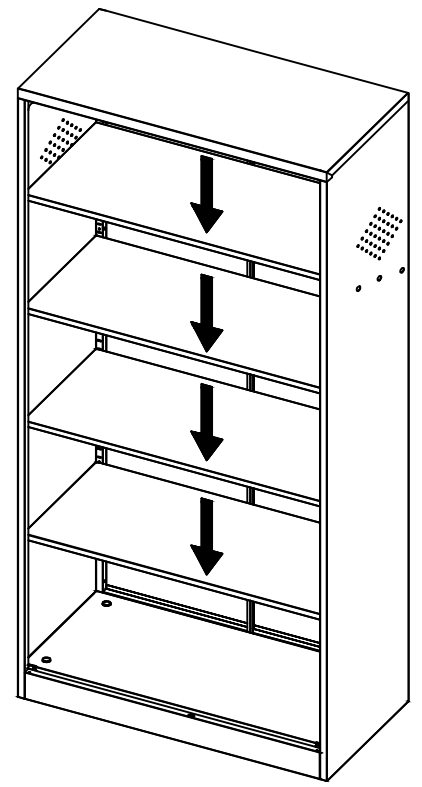
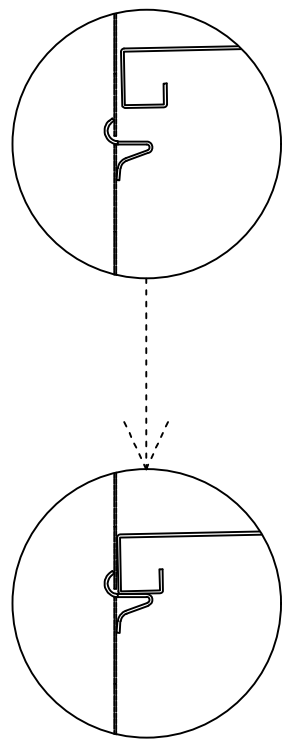
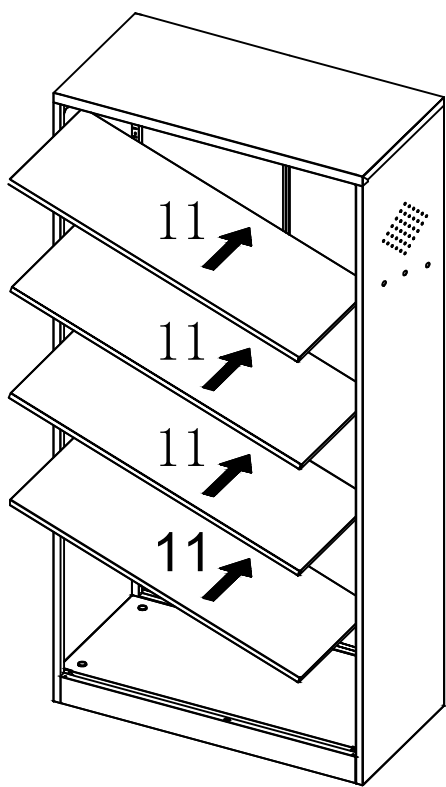


11



E×16 

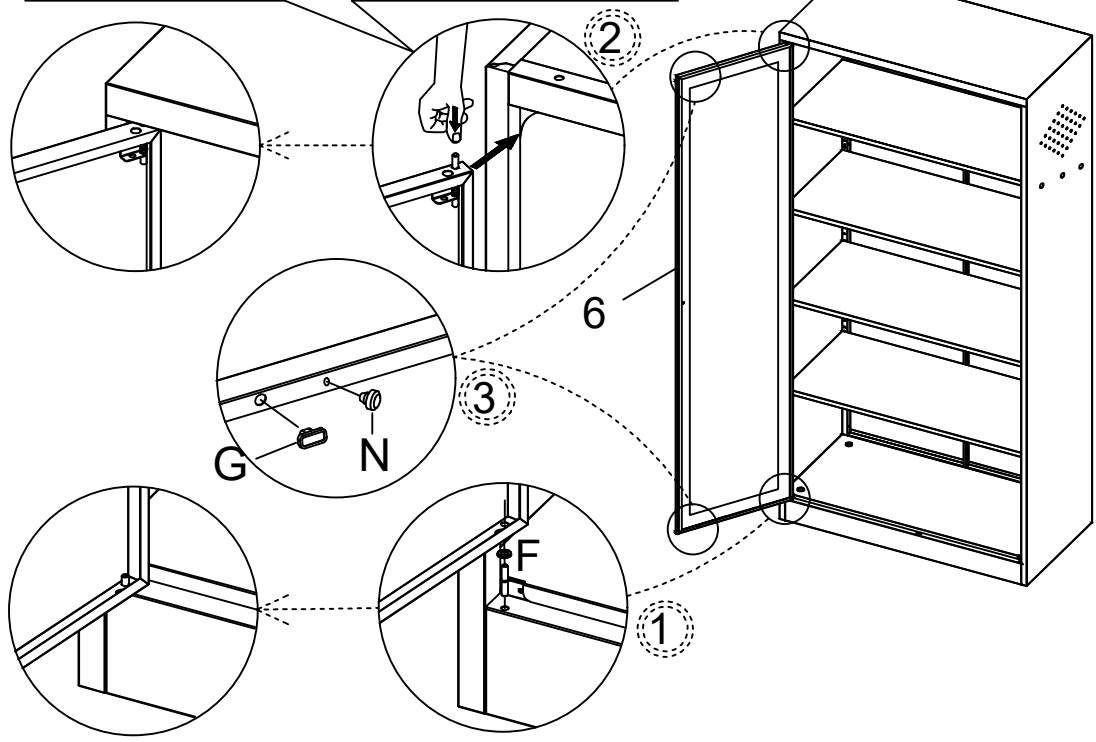
12



13

Install the door by first installing the door pin F, then by pressing the spring shafts on the top of the door.

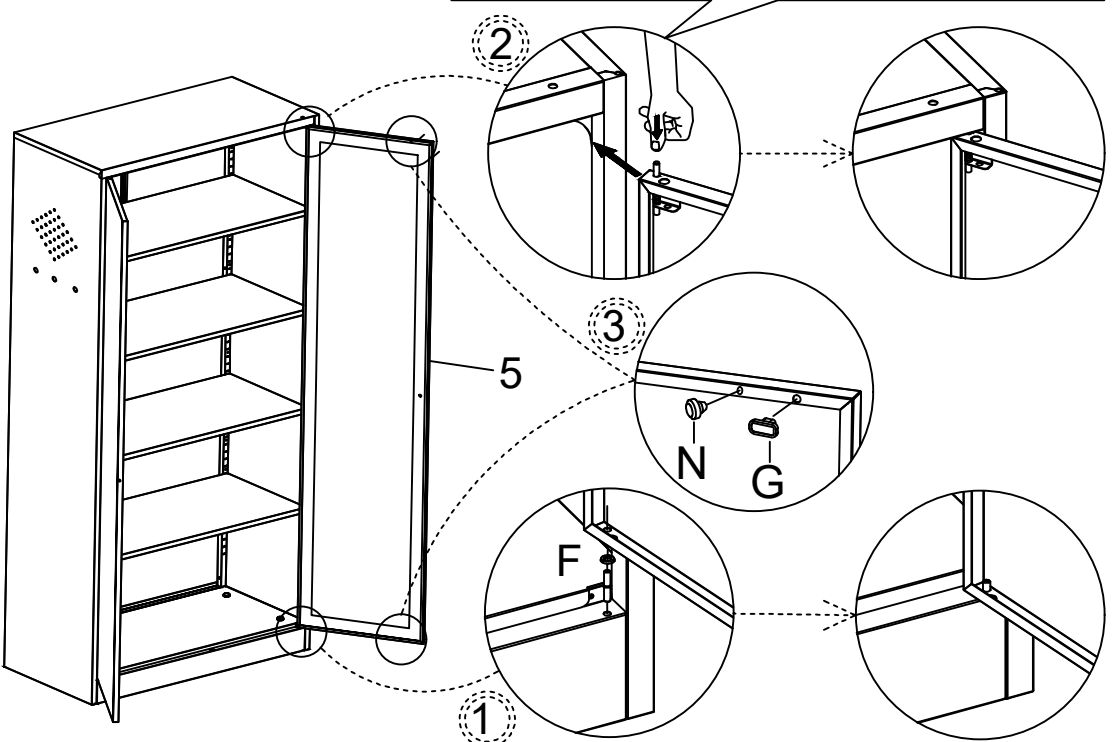
If the spring screw is missing from the door, you can find the screw K in the hardware package to install it.



F×1	
G×2	
N×2	

14

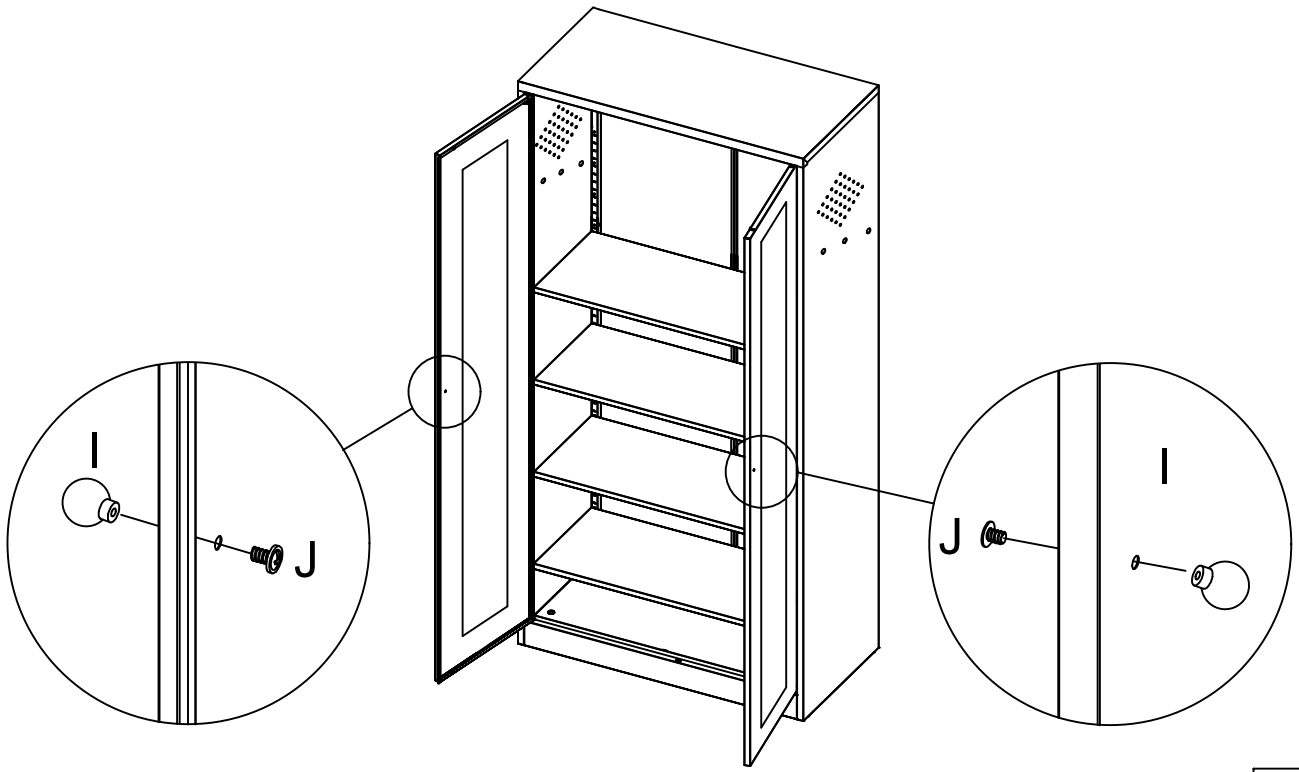
If the spring screw is missing from the door, you can find the screw K in the hardware package to install it.





F×1	
G×2	
N×2	

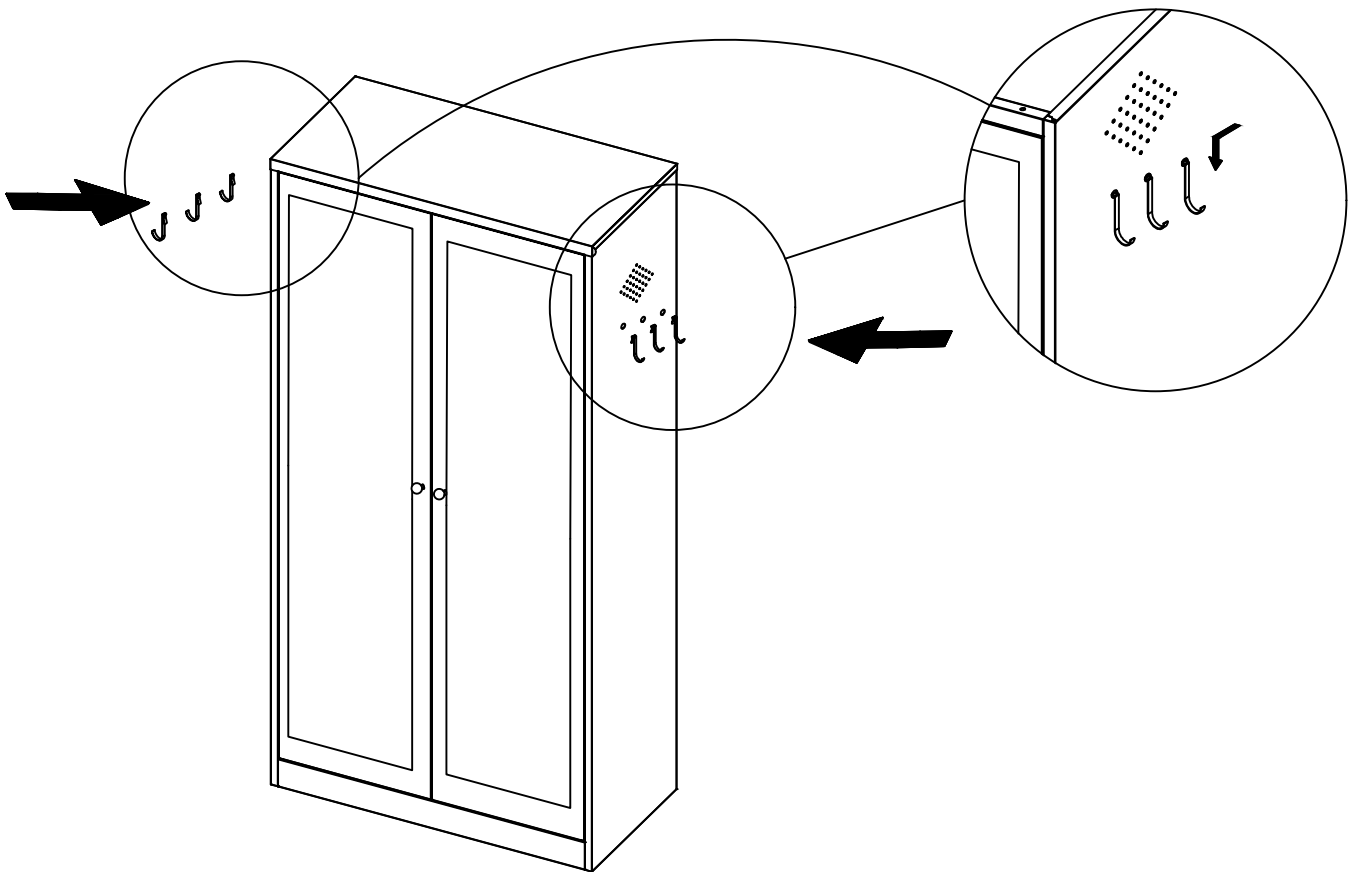
15

Attach the handle I to the door panels and secure them with screws J.



- 1x2 
- Jx2 

16



- Mx6 