

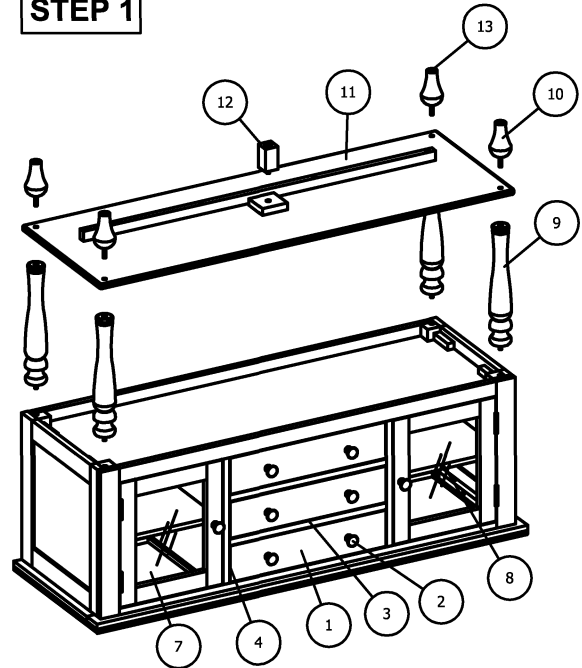
ASSEMBLY INSTRUCTIONS & PARTS IDENTIFICATION 3 DRAWER SERVER

Thank you for purchasing this quality product. Be sure to check all packing material carefully for small parts that may have come loose inside the carton during shipment.

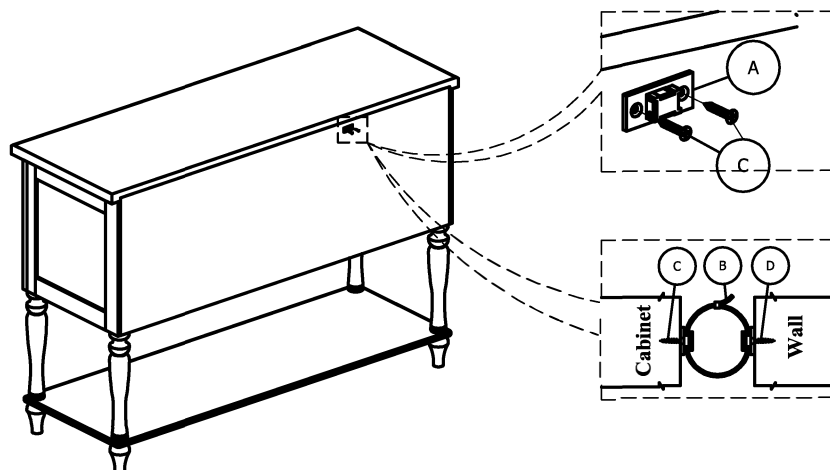
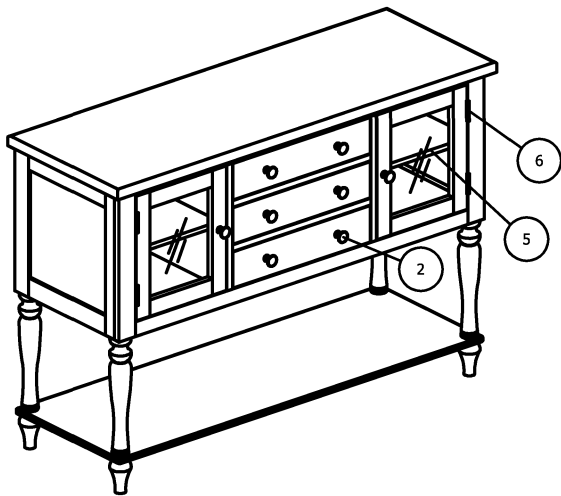
Key Parts		
No	Qty	Description
1	3 pcs	Drawer
2	8 pcs	Pull w/screws
3	3 pcs	Drawer stop
4	6 pcs	Drawer glide
5	2 pcs	Removable Shelf
6	4 pcs	Hinge
7	1 pc	Door right side facing
8	1 pc	Door left side facing
9	4 pcs	Top Leg Section
10	4 pcs	Bottom leg
11	1 pc	Shelf
12	1 pc	Middle Support Leg
13	4 pcs	Floor glide

Anti-Tip Hardware		
No	Qty	Description
A	2 pcs	Plastic bracket
B	1 pc	Plastic strap
C	2 pcs	Short screw
D	2 pcs	Long screw

STEP 1



STEP 2



PLEASE NOTE:

To avoid the possibility of the furniture tipping and injury, the anti-tip hardware must be installed.